



US00D581566S

(12) **United States Design Patent**  
**Slawson et al.**

(10) **Patent No.:** **US D581,566 S**  
(45) **Date of Patent:** **\*\* Nov. 25, 2008**

(54) **ILLUMINATION ASSEMBLY**

(75) Inventors: **Steven R. Slawson**, Camillus, NY (US);  
**Michael T. McMahon**, Syracuse, NY  
(US); **Susan E. Dubay**, Syracuse, NY  
(US); **Dale C. Saddlemire**, Cortland,  
NY (US); **Robert L. Vivenzio**, Auburn,  
NY (US); **Scott W. Osiecki**, Skaneateles,  
NY (US); **Donwoong Kang**, Camillus,  
NY (US)

(73) Assignee: **Welch Allyn, Inc.**, Skaneateles Falls, NY  
(US)

(\*\*) Term: **14 Years**

(21) Appl. No.: **29/268,467**

(22) Filed: **Nov. 7, 2006**

(30) **Foreign Application Priority Data**

May 9, 2006 (EM) ..... 000525191

(51) **LOC (8) Cl.** ..... **26-02**

(52) **U.S. Cl.** ..... **D26/38; D24/135**

(58) **Field of Classification Search** ..... D24/138,  
D24/137, 135; D26/37, 38, 46; D10/2, 5;  
600/220, 222, 223, 225, 205, 187, 190  
See application file for complete search history.

(56) **References Cited**

**U.S. PATENT DOCUMENTS**

4,597,382 A \* 7/1986 Perez, Jr. .... 600/203

D318,812 S \* 8/1991 Matsuura et al. .... D24/135  
5,499,964 A \* 3/1996 Beck et al. .... 600/220  
D477,432 S \* 7/2003 Parsons ..... D26/37  
D518,584 S \* 4/2006 Chan ..... D26/37  
D525,536 S \* 7/2006 Chan ..... D10/2

\* cited by examiner

*Primary Examiner*—Ian Simmons

*Assistant Examiner*—Christopher Lee

(74) *Attorney, Agent, or Firm*—Hiscock & Barclay, LLP

(57) **CLAIM**

The ornamental design for an illumination assembly, as shown and described.

**DESCRIPTION**

FIG. 1 is a right side perspective view of an illumination assembly in accordance with our new design;

FIG. 2 is a left side perspective view of the illumination assembly;

FIG. 3 is an alternative perspective view of the illumination assembly;

FIG. 4 is a front view of the illumination assembly;

FIG. 5 is a left side view of the illumination assembly;

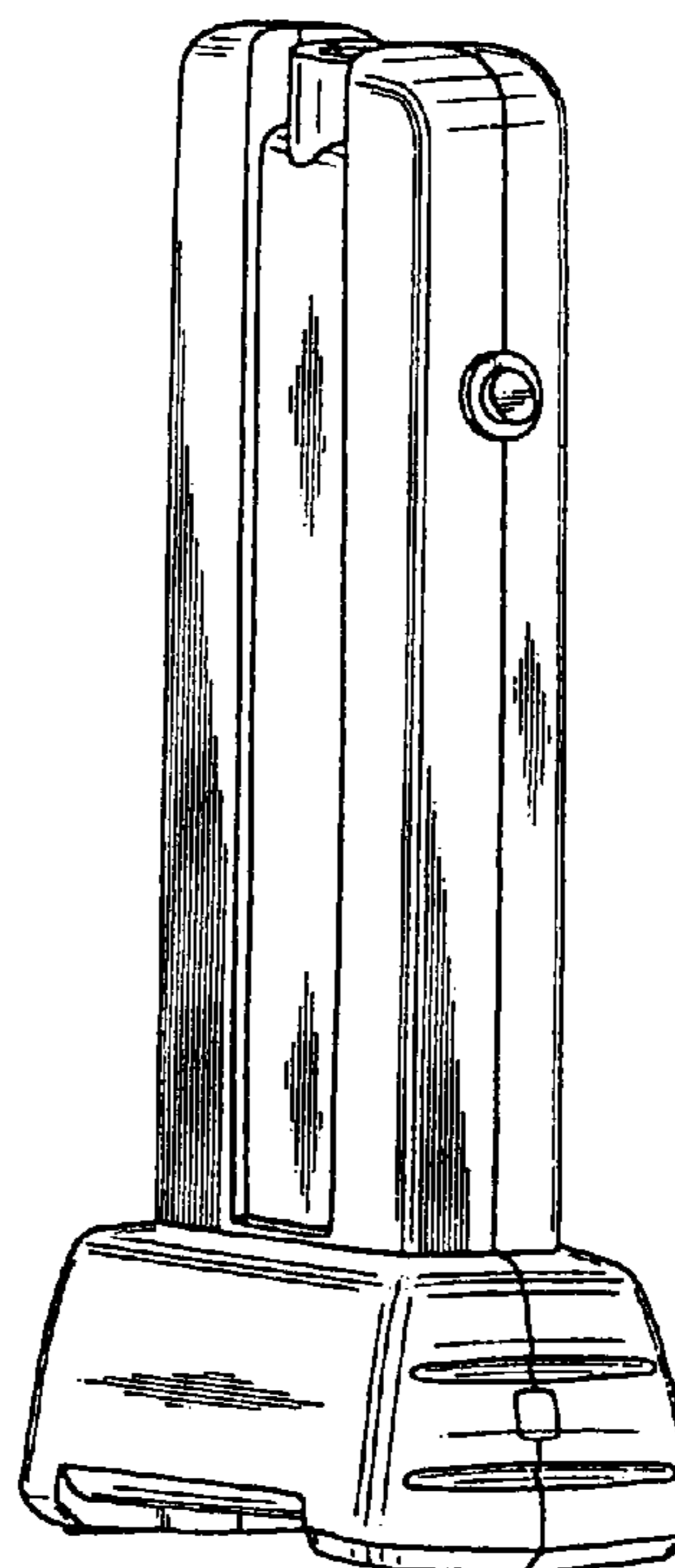
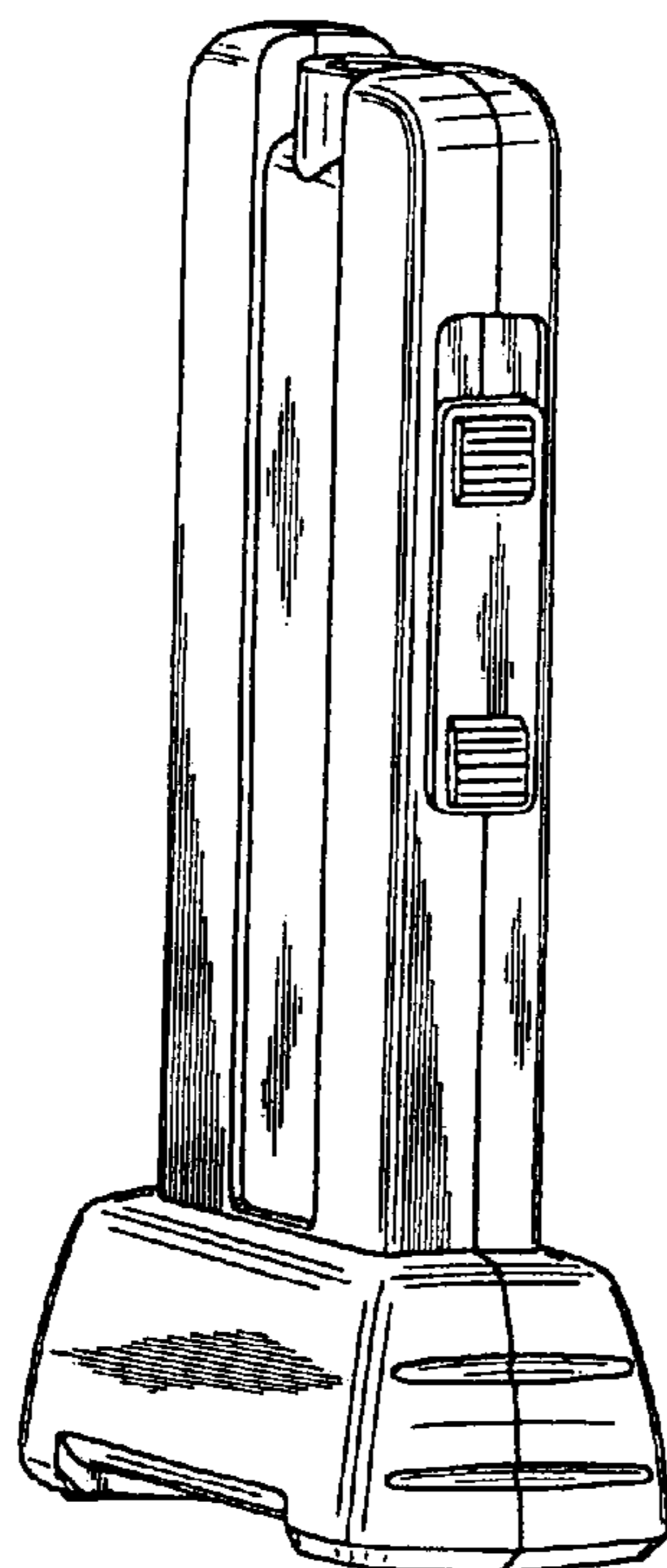
FIG. 6 is a right side view of the illumination assembly;

FIG. 7 is a bottom view of the illumination assembly;

FIG. 8 is a top plan view of the illumination assembly; and,

FIG. 9 is a rear view of the illumination assembly.

**1 Claim, 3 Drawing Sheets**



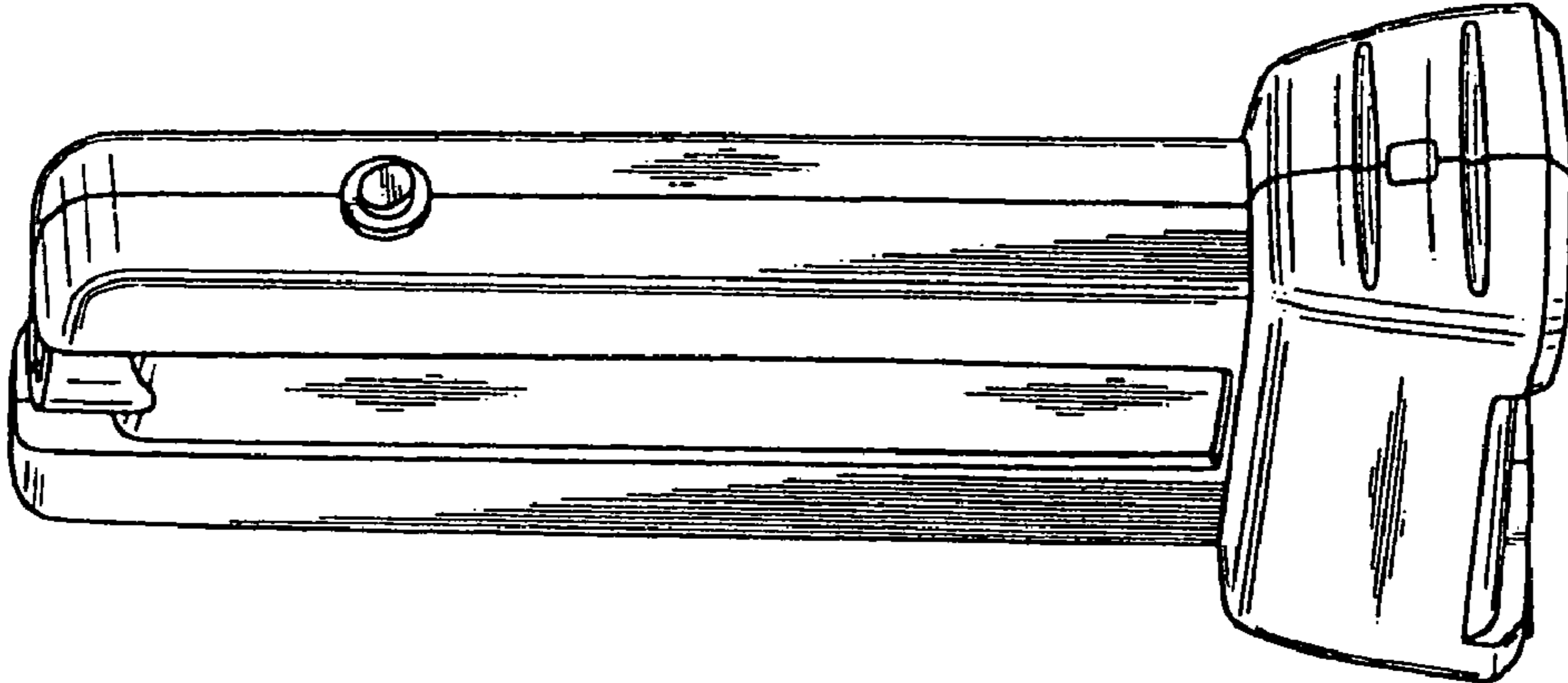


FIG. 2

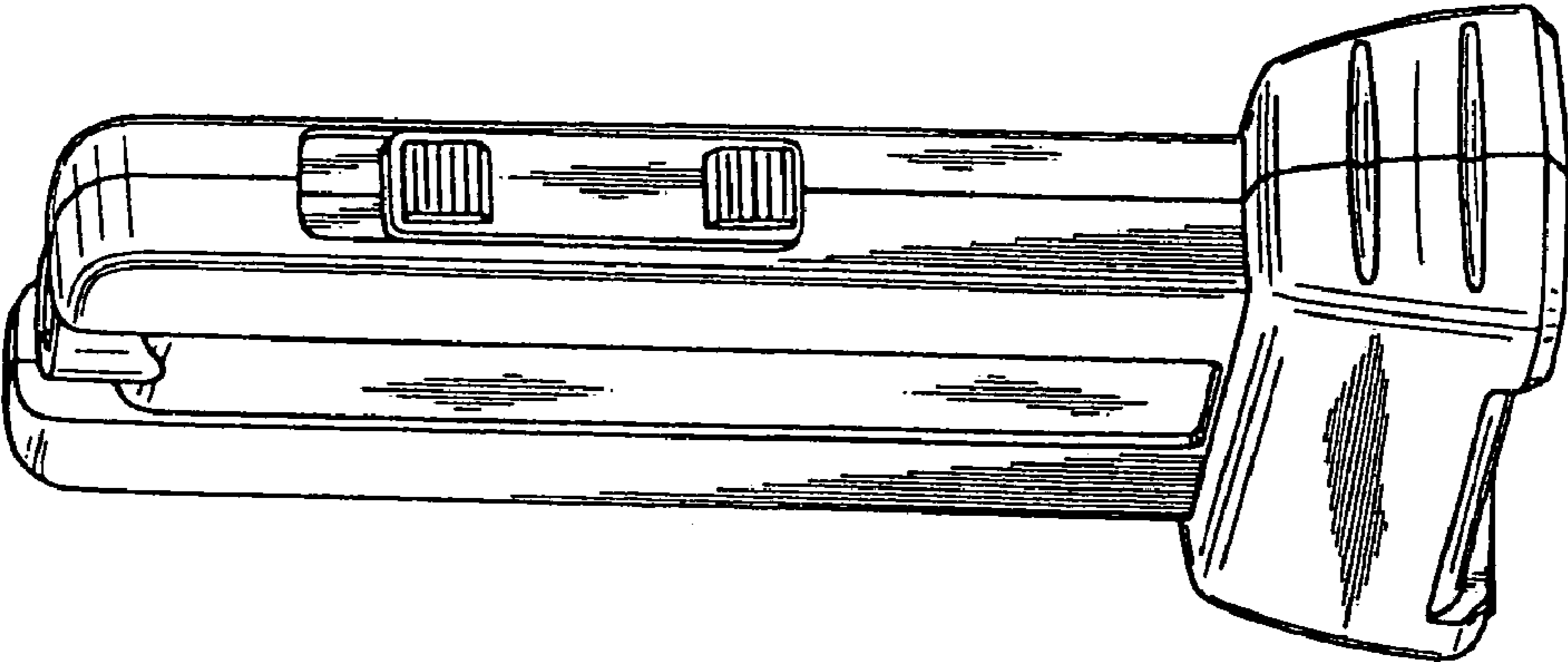


FIG. 1

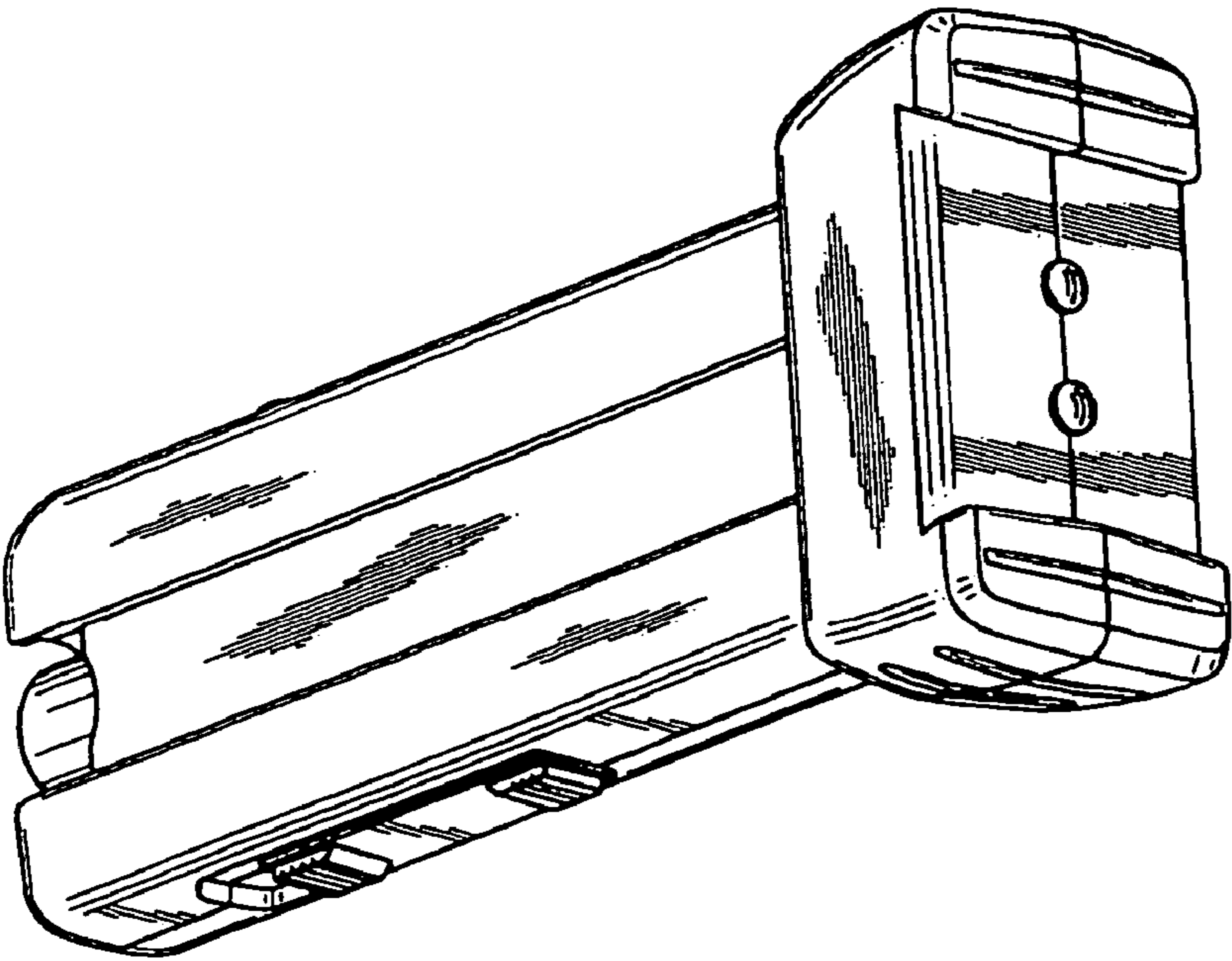


FIG. 3

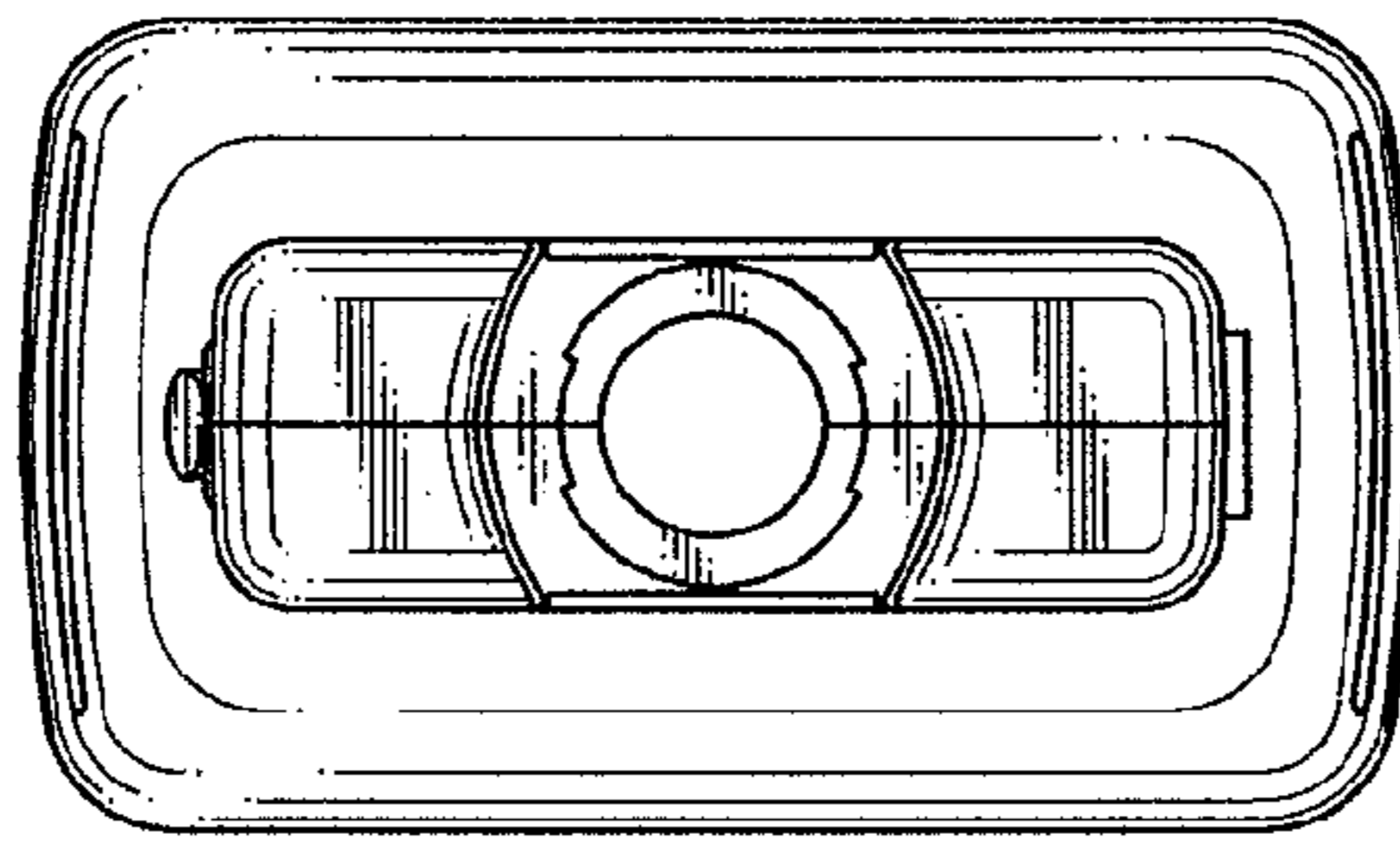


FIG. 8

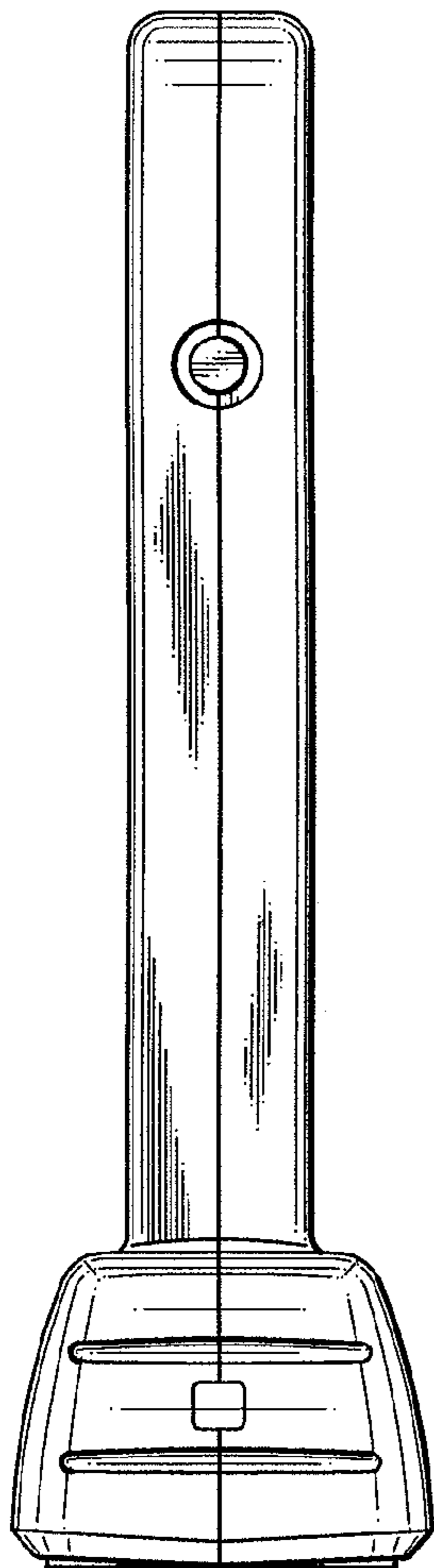


FIG. 5

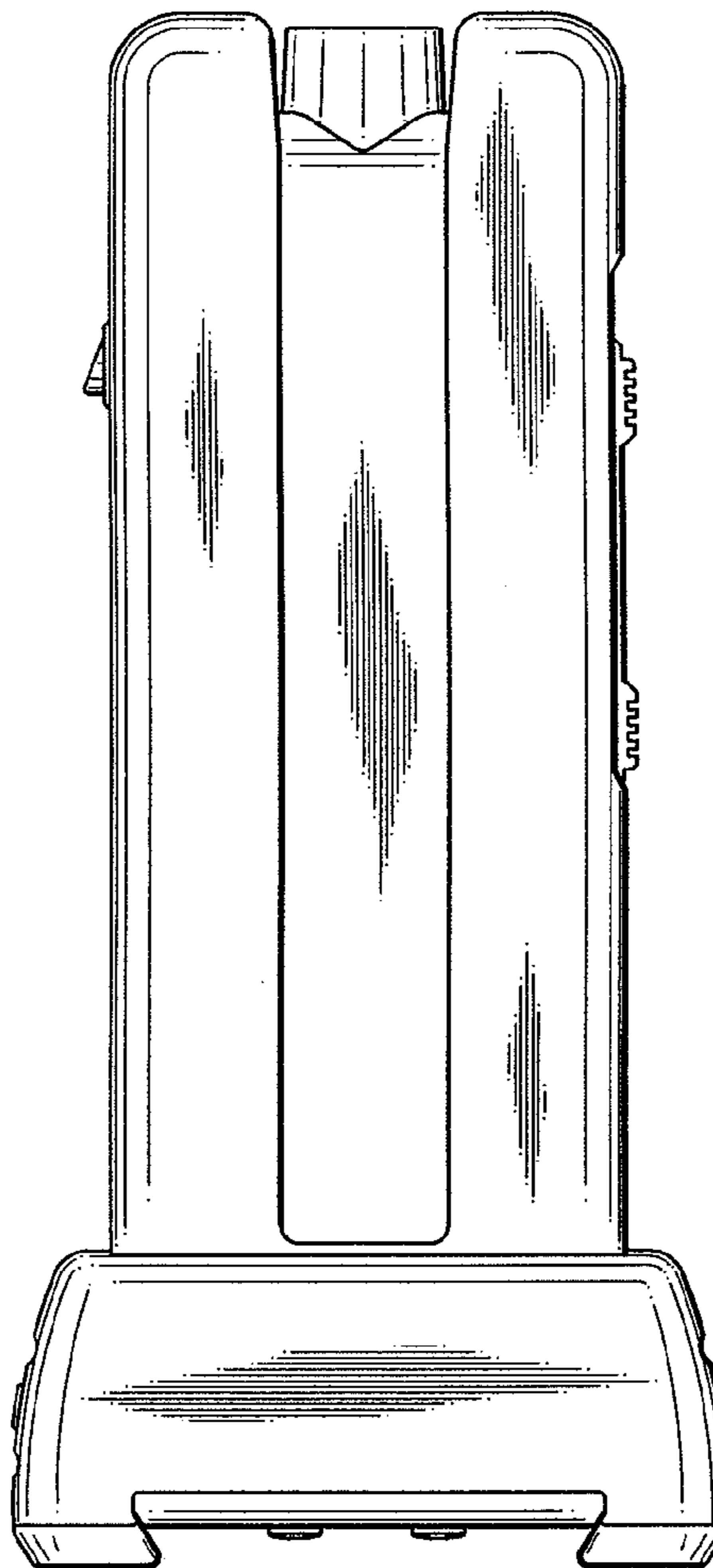


FIG. 4

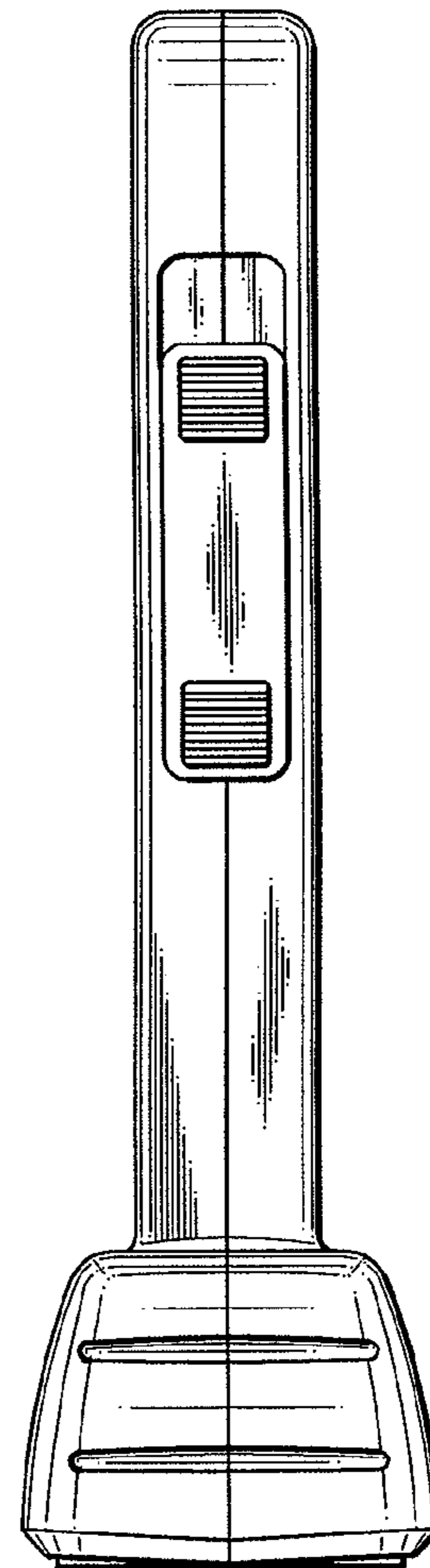


FIG. 6

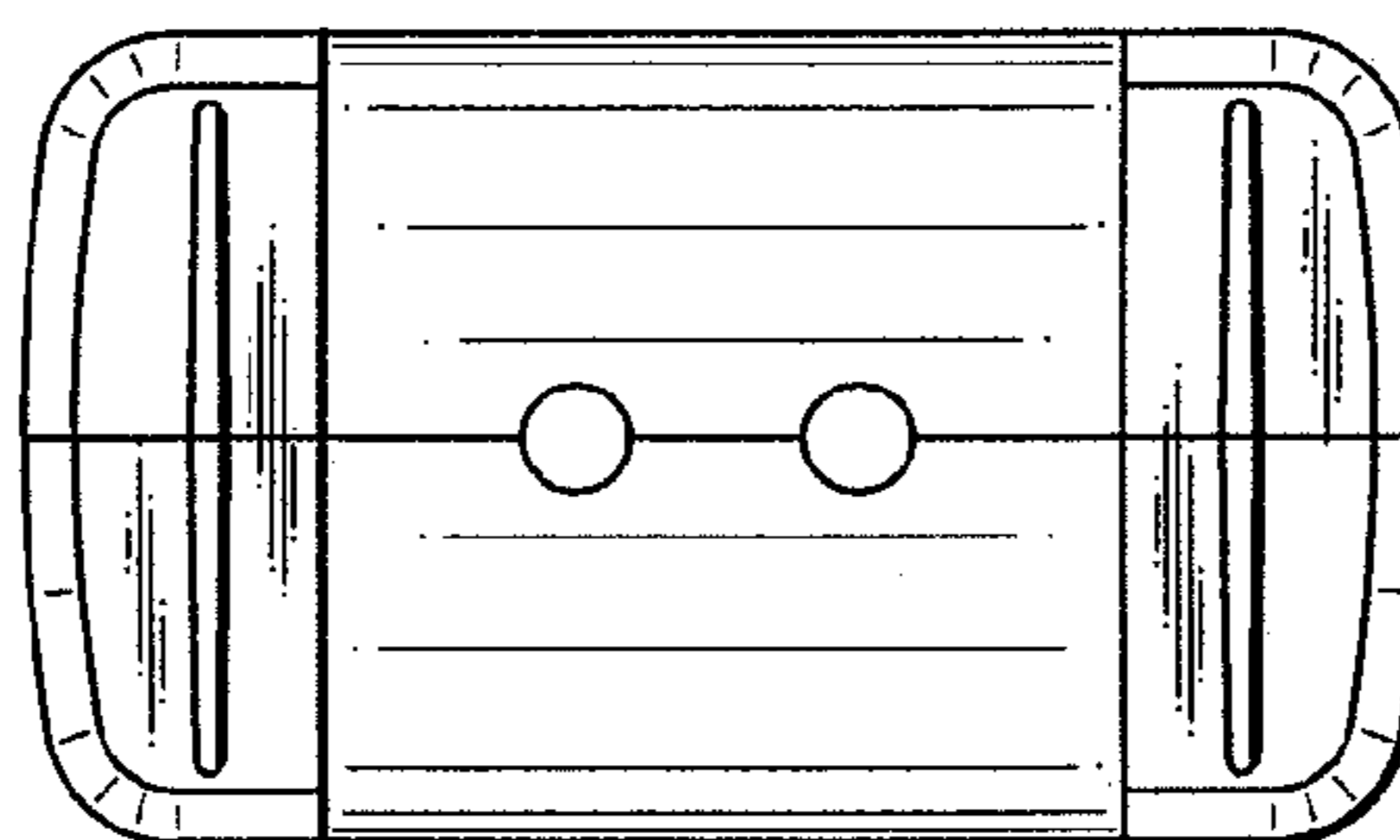


FIG. 7

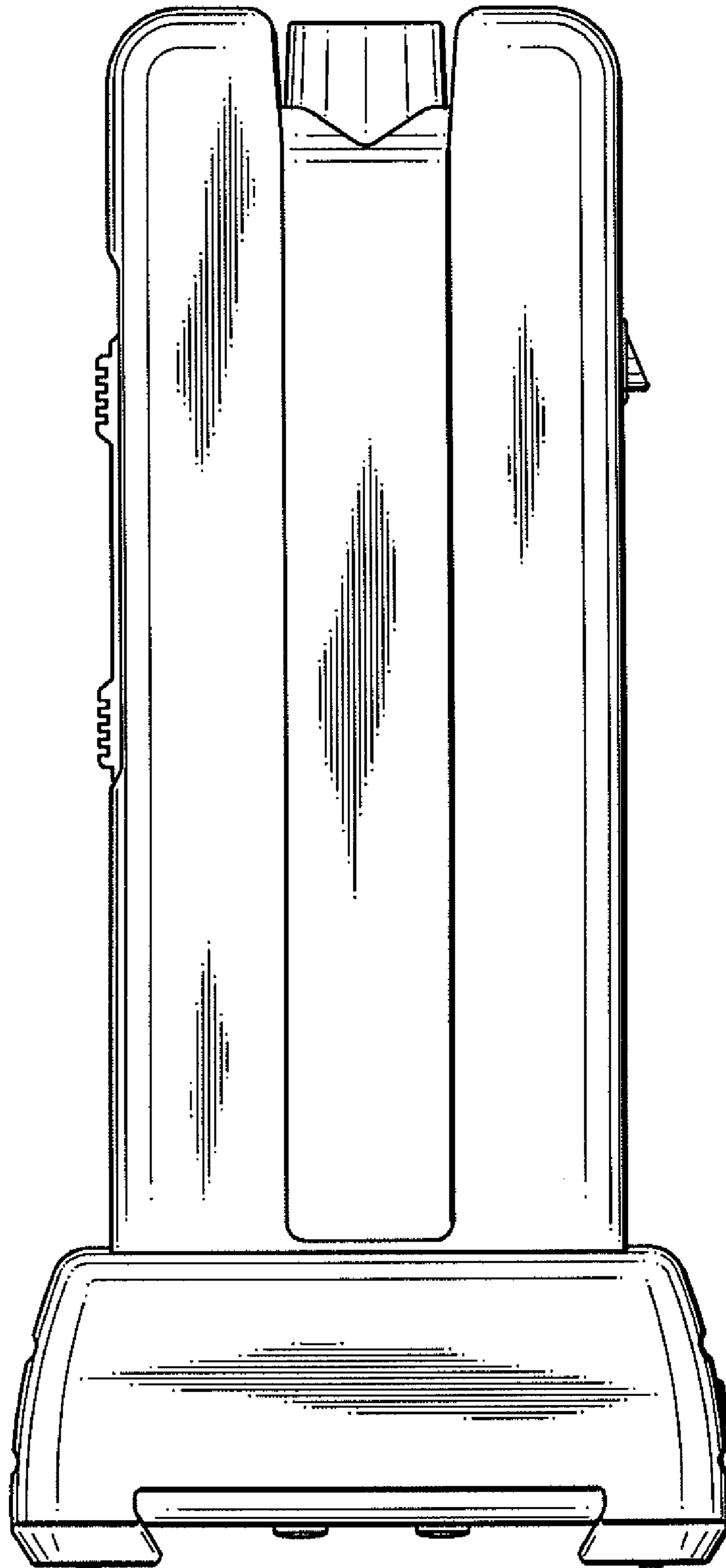


FIG. 9