

US00D581565S

(12) **United States Design Patent**
Hatake

(10) **Patent No.:** **US D581,565 S**
(45) **Date of Patent:** **** Nov. 25, 2008**

(54) **FRONT COMBINATION LAMP FOR AN
AUTOMOBILE**

D563,576 S * 3/2008 Hanaoka D26/28

(75) Inventor: **Hiroyuki Hatake**, Aichi-ken (JP)

OTHER PUBLICATIONS

Photographs of Honda CR-V, "CR-V-No-Subete", Dec. 2006, San-eishobo Publishing Co., Ltd.

(73) Assignee: **Toyota Jidosha Kabushiki Kaisha** (JP)

* cited by examiner

(**) Term: **14 Years**

Primary Examiner—Marcus A. Jackson

(21) Appl. No.: **29/305,034**

(74) *Attorney, Agent, or Firm*—Saidman DesignLaw Group

(22) Filed: **Mar. 12, 2008**

(57) **CLAIM**

(51) **LOC (8) Cl.** **26-06**

The ornamental design for a front combination lamp for an automobile, as shown and described.

(52) **U.S. Cl.** **D26/28**

(58) **Field of Classification Search** D26/28-36;
362/459-468, 475-478, 485-487

DESCRIPTION

See application file for complete search history.

FIG. 1 is a front perspective view of a front combination lamp for an automobile showing my new design;

(56) **References Cited**

FIG. 2 is a front view thereof;

U.S. PATENT DOCUMENTS

FIG. 3 is a top plan view thereof; and,

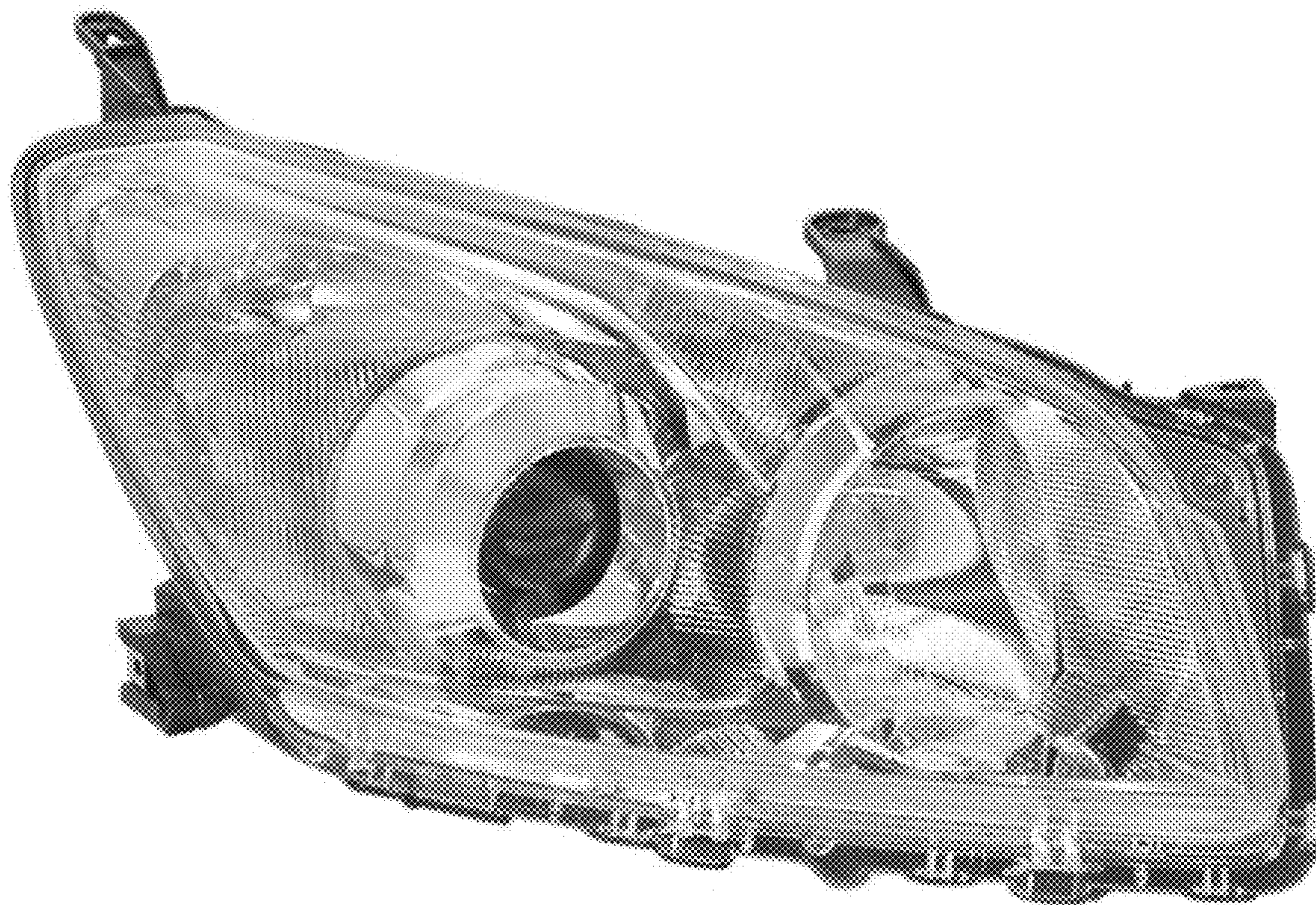
D560,291 S * 1/2008 Koyama D26/28

FIG. 4 is a left-side view thereof.

D561,358 S * 2/2008 Tachibana D26/28

D561,359 S * 2/2008 Hsu D26/28

1 Claim, 2 Drawing Sheets



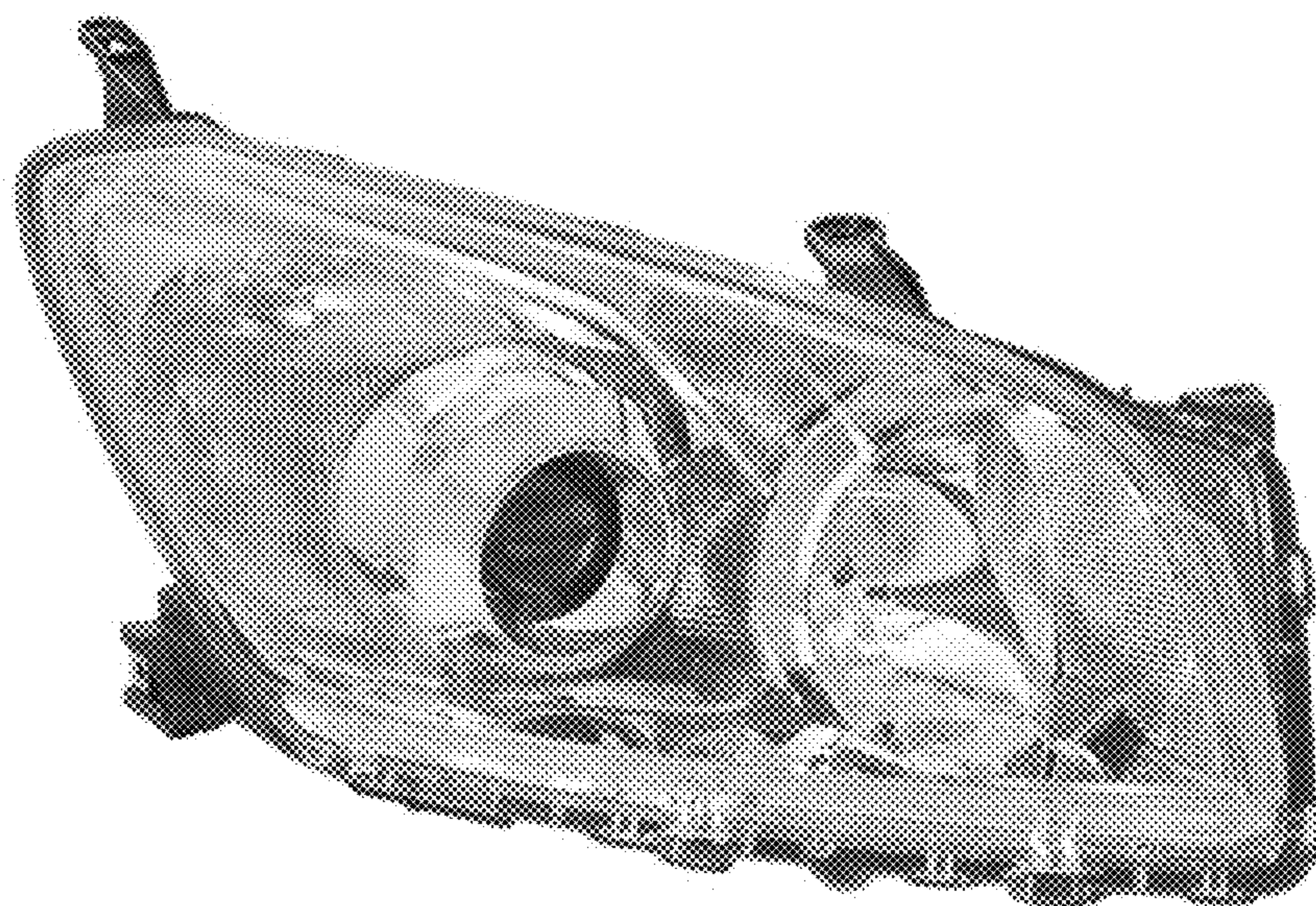


Fig. 1

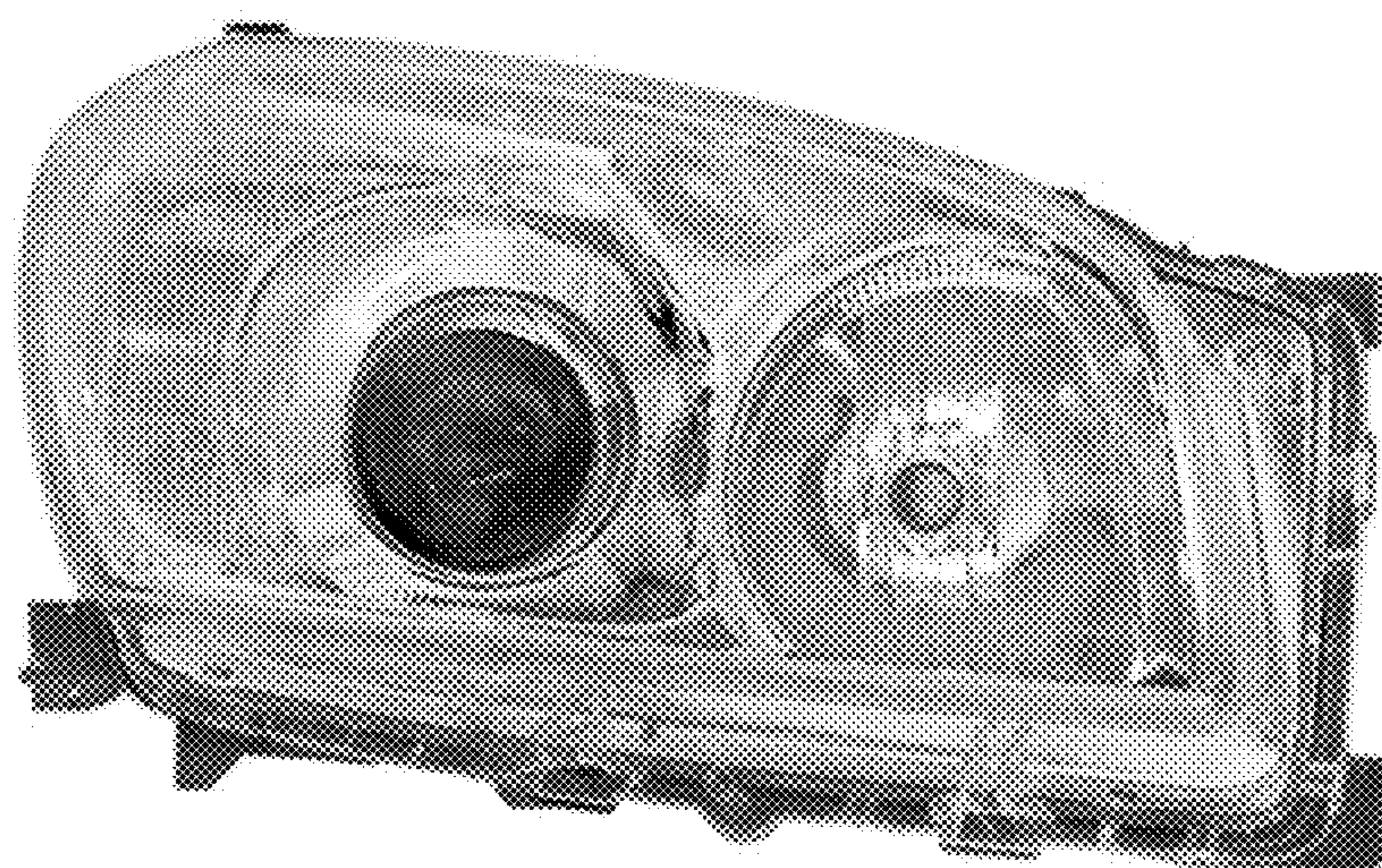


Fig. 2

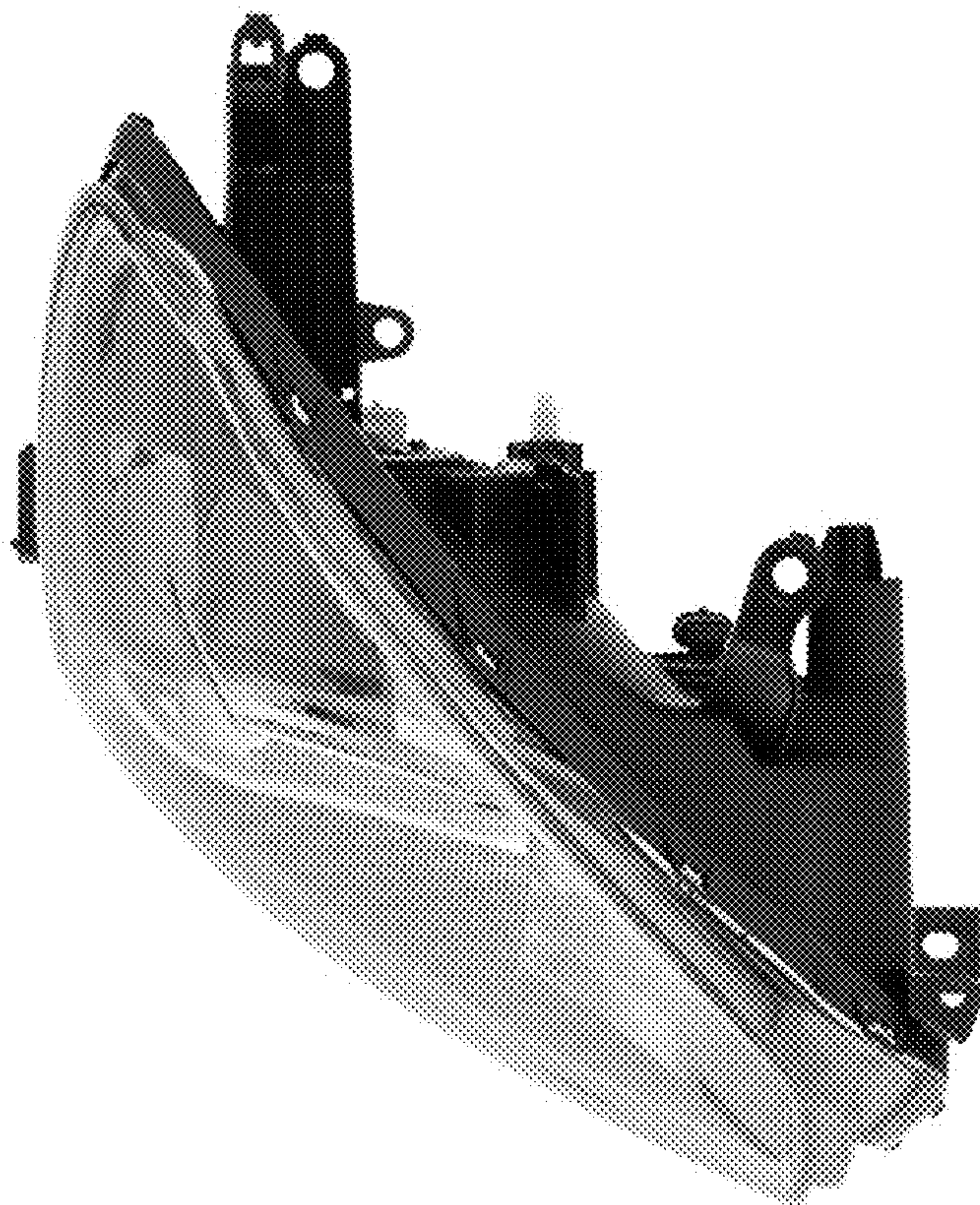


Fig. 3

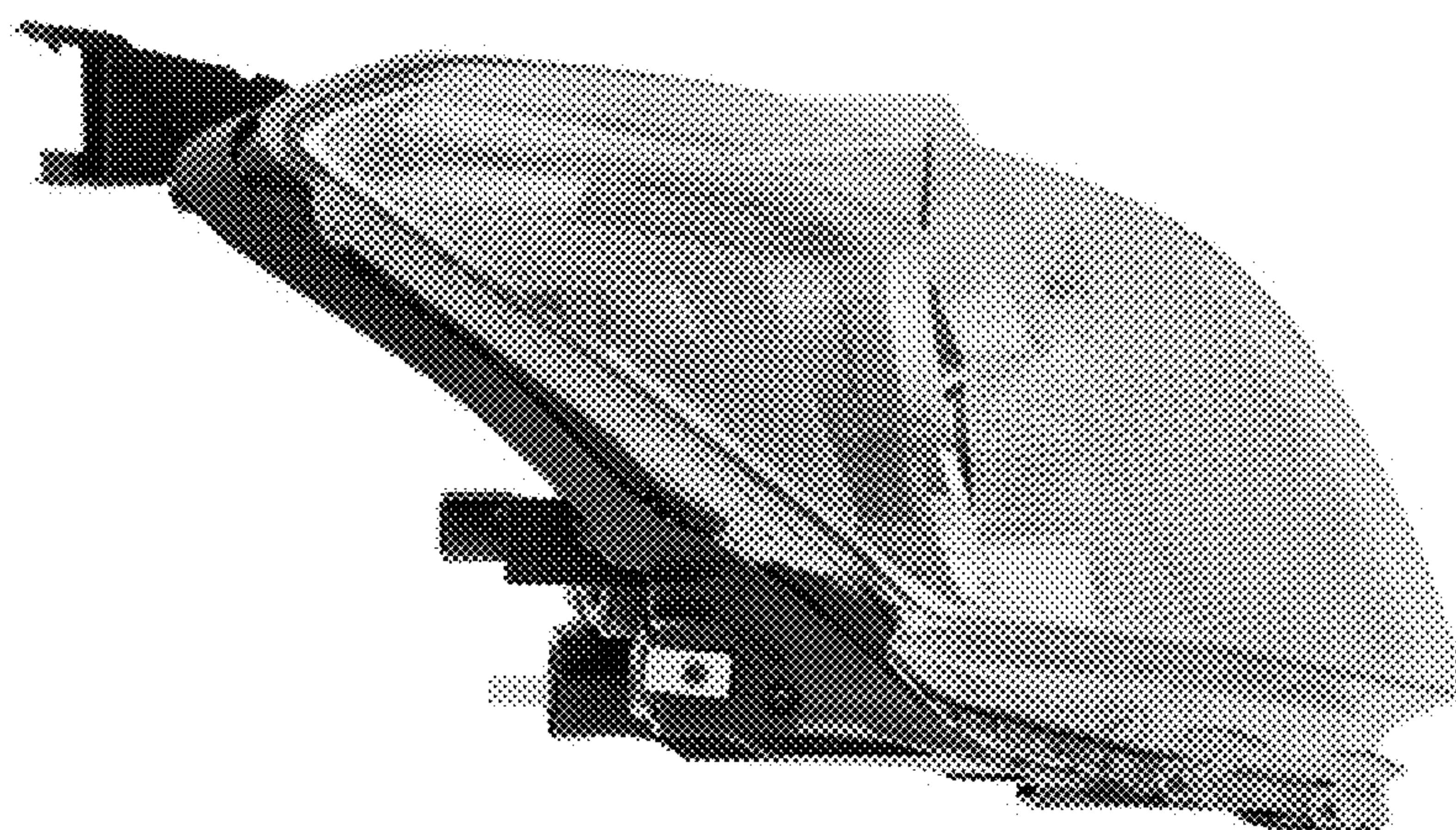


Fig. 4