



US00D581561S

(12) **United States Design Patent**
Leclercq

(10) **Patent No.:** **US D581,561 S**

(45) **Date of Patent:** **** Nov. 25, 2008**

(54) **TAILLIGHT FOR A VEHICLE**

(75) Inventor: **Pierre Leclercq**, Munich (DE)

(73) Assignee: **Bayerische Motoren Werke Aktiengesellschaft**, Munich (DE)

(**) Term: **14 Years**

(21) Appl. No.: **29/300,131**

(22) Filed: **Feb. 22, 2008**

(30) **Foreign Application Priority Data**

Aug. 24, 2007 (DE) 40704328

(51) **LOC (8) Cl.** **26-06**

(52) **U.S. Cl.** **D26/28**

(58) **Field of Classification Search** D26/28-36;
362/459-468, 475-478, 485-487

See application file for complete search history.

(56) **References Cited**

U.S. PATENT DOCUMENTS

D552,769 S * 10/2007 Leclercq D26/28

D560,292 S * 1/2008 Sato D26/28

D561,357 S * 2/2008 Leclercq D26/28

D565,211 S * 3/2008 Haller et al. D26/28

* cited by examiner

Primary Examiner—Marcus A. Jackson

(74) *Attorney, Agent, or Firm*—Crowell & Moring LLP

(57) **CLAIM**

The ornamental design for a taillight for a vehicle, as shown and described.

DESCRIPTION

FIG. 1 is a left perspective view of a first embodiment of a taillight for a vehicle according to my novel design;

FIG. 2 is a right perspective view thereof;

FIG. 3 is a front view thereof; and

FIG. 4 is a left side view thereof.

FIG. 5 is a right perspective view of a second embodiment of the taillight for a vehicle according to my novel design;

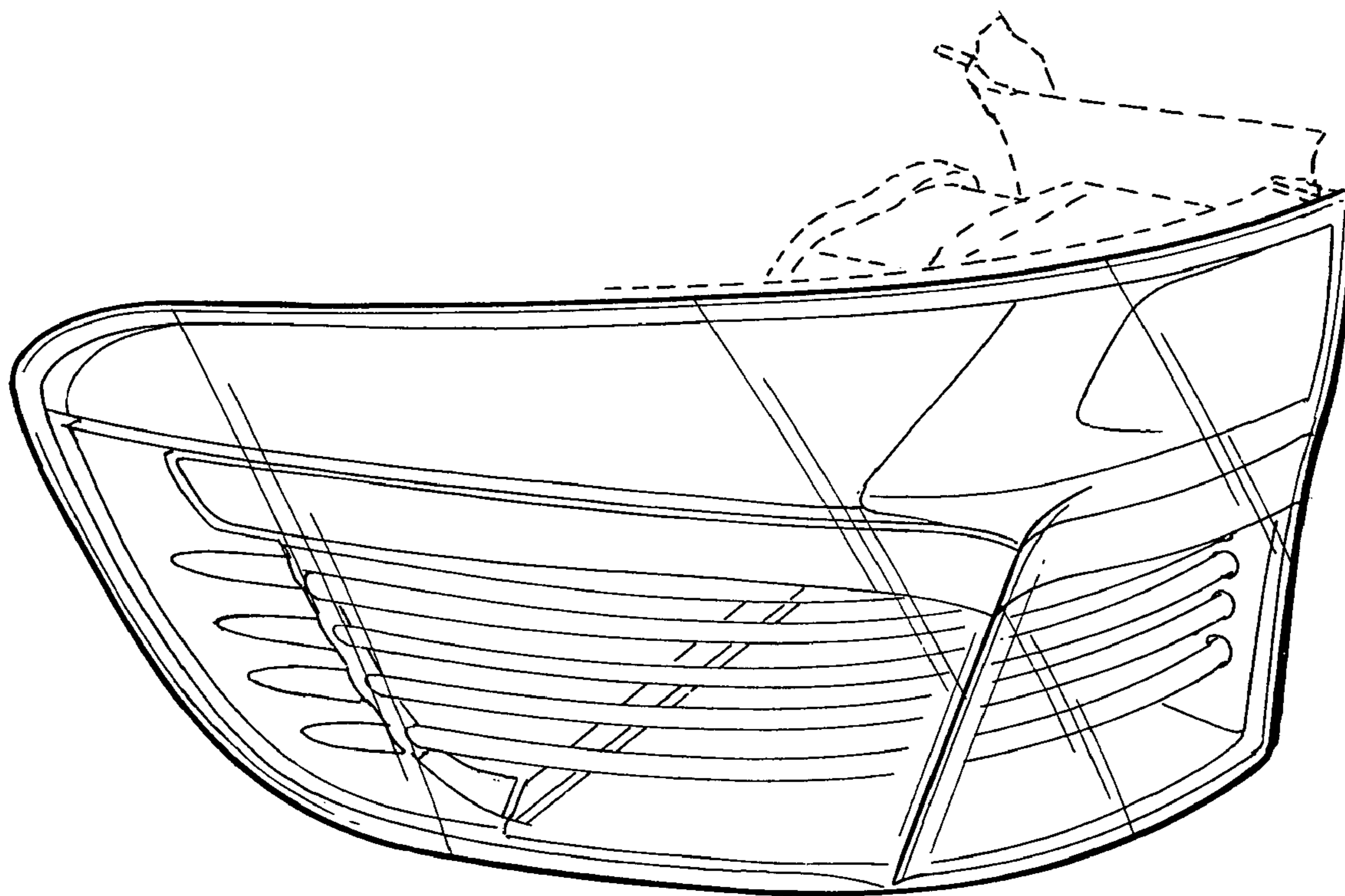
FIG. 6 is a left perspective view thereof;

FIG. 7 is a front view thereof; and,

FIG. 8 is a right side view thereof.

The broken lines are for illustrative purposes only and form no part of the claimed design. Also enclosed is a set of photographs of an embodiment of the design.

1 Claim, 4 Drawing Sheets



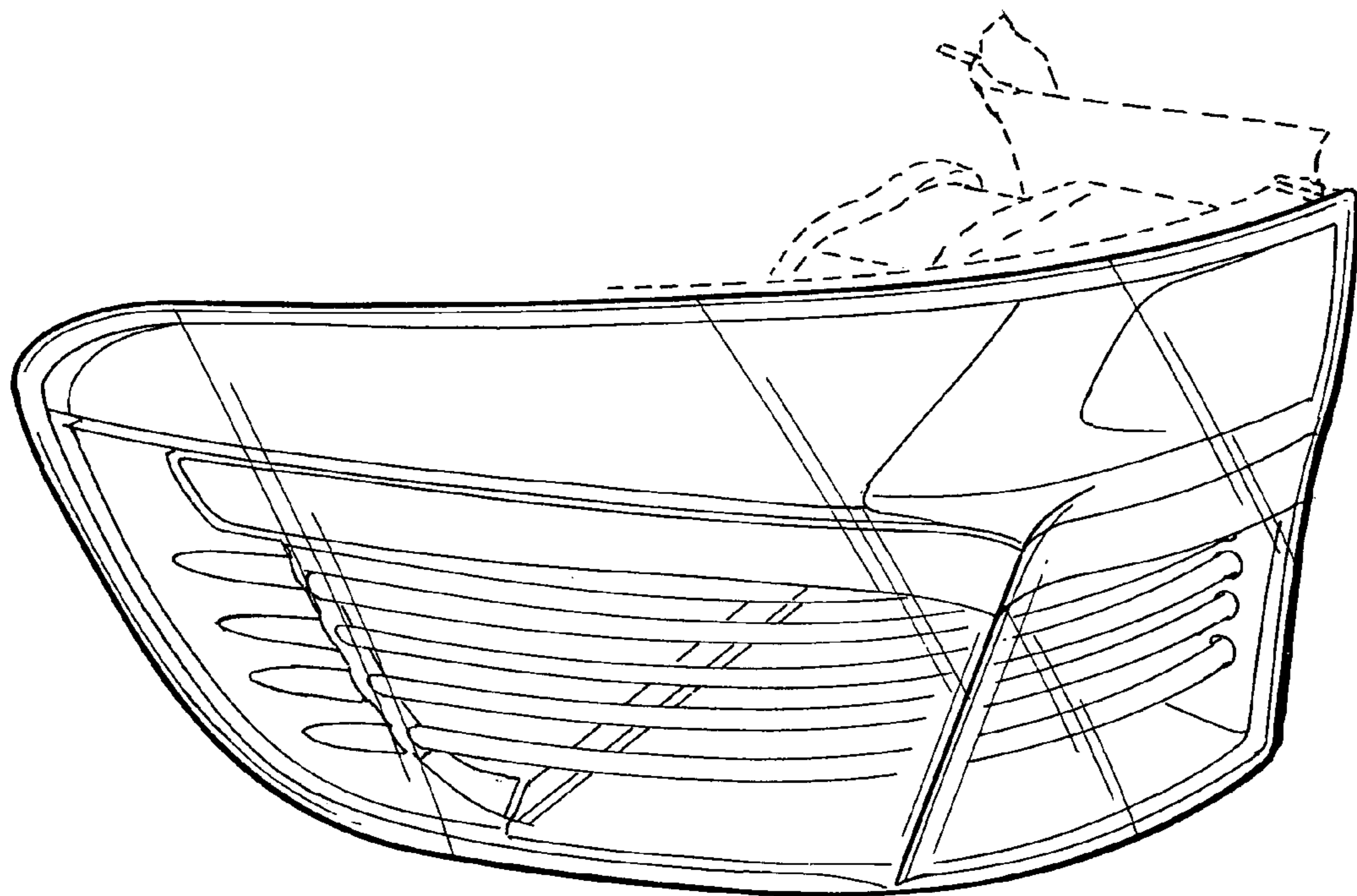


FIG. 1

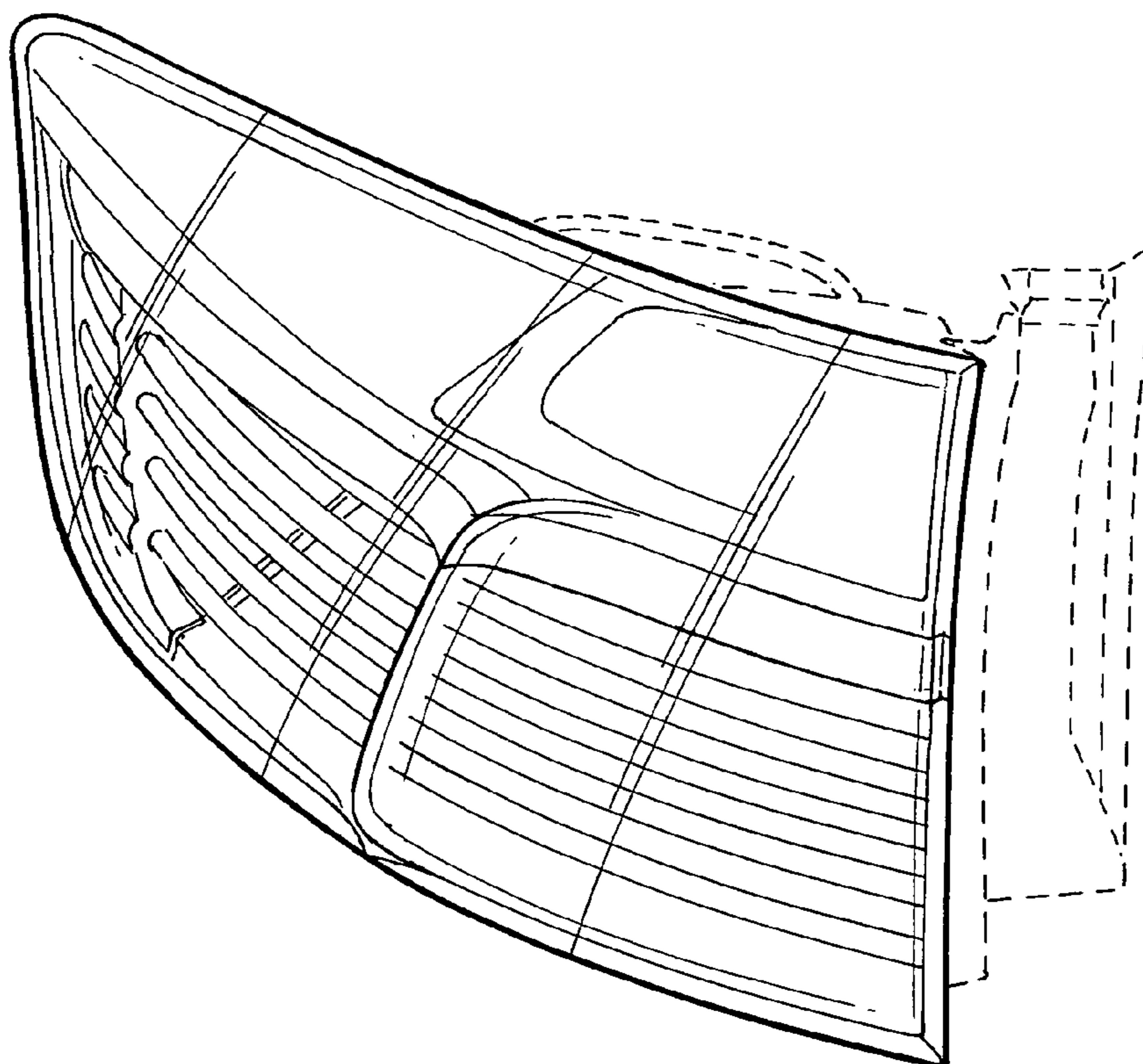


FIG. 2

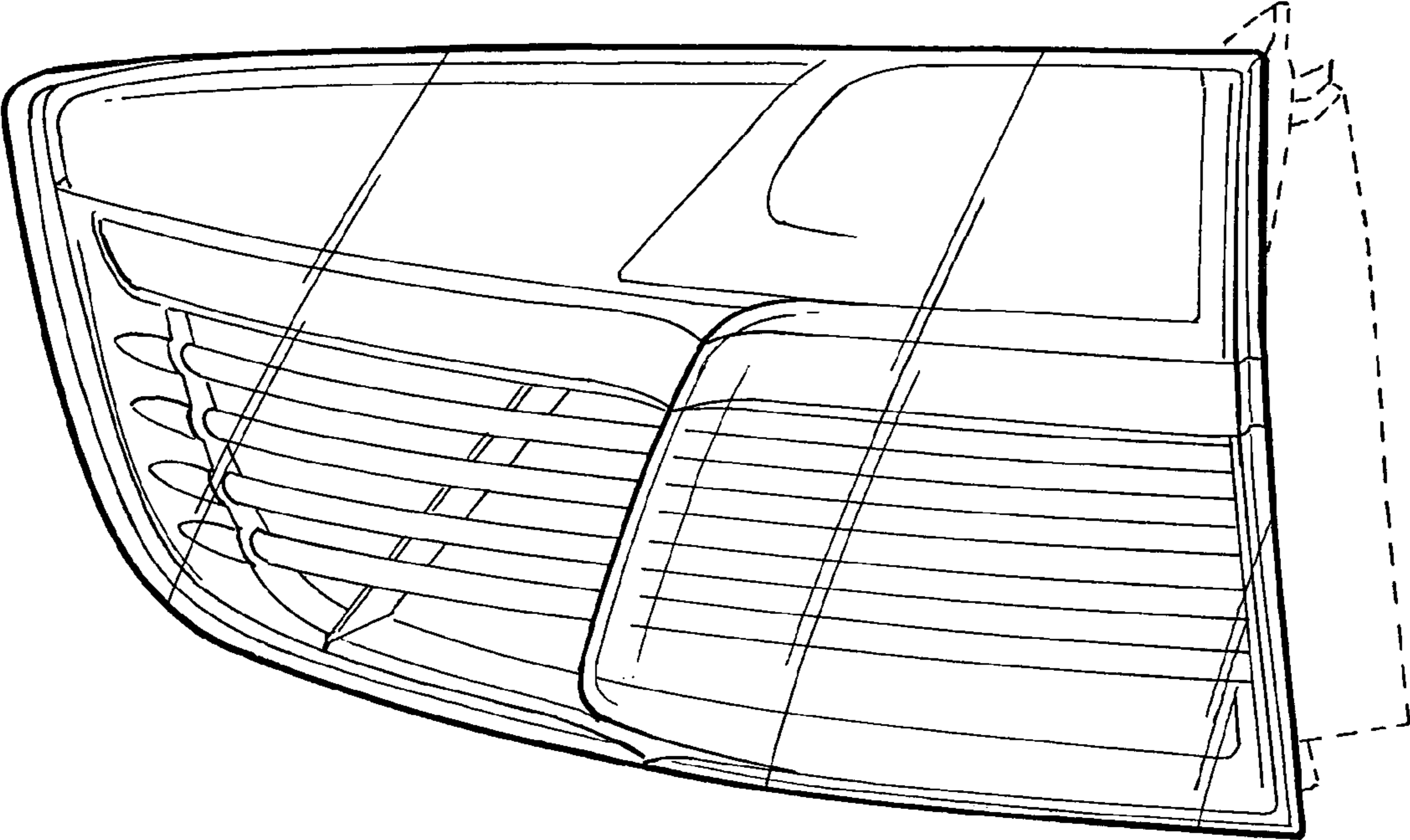


FIG. 3

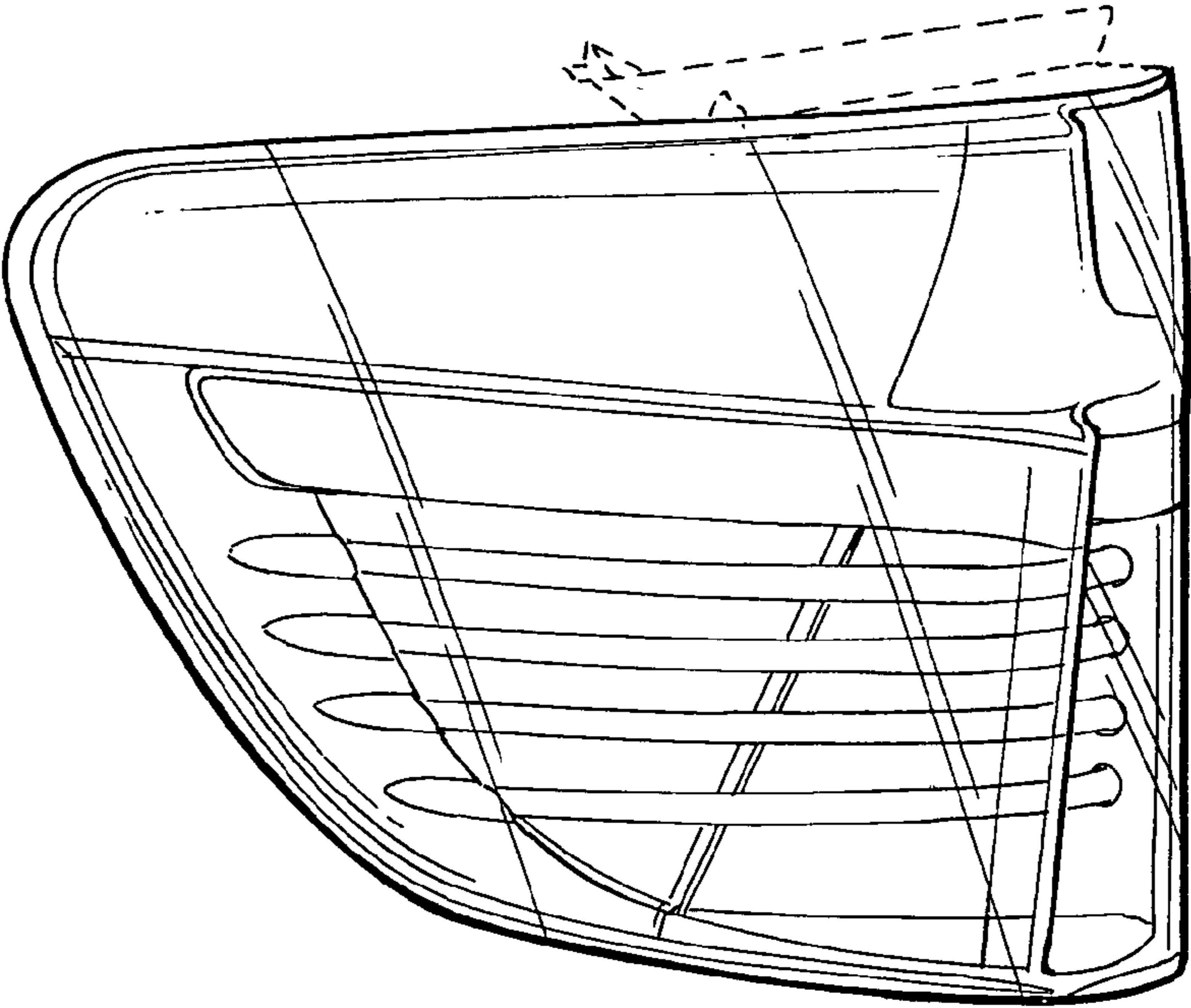


FIG. 4

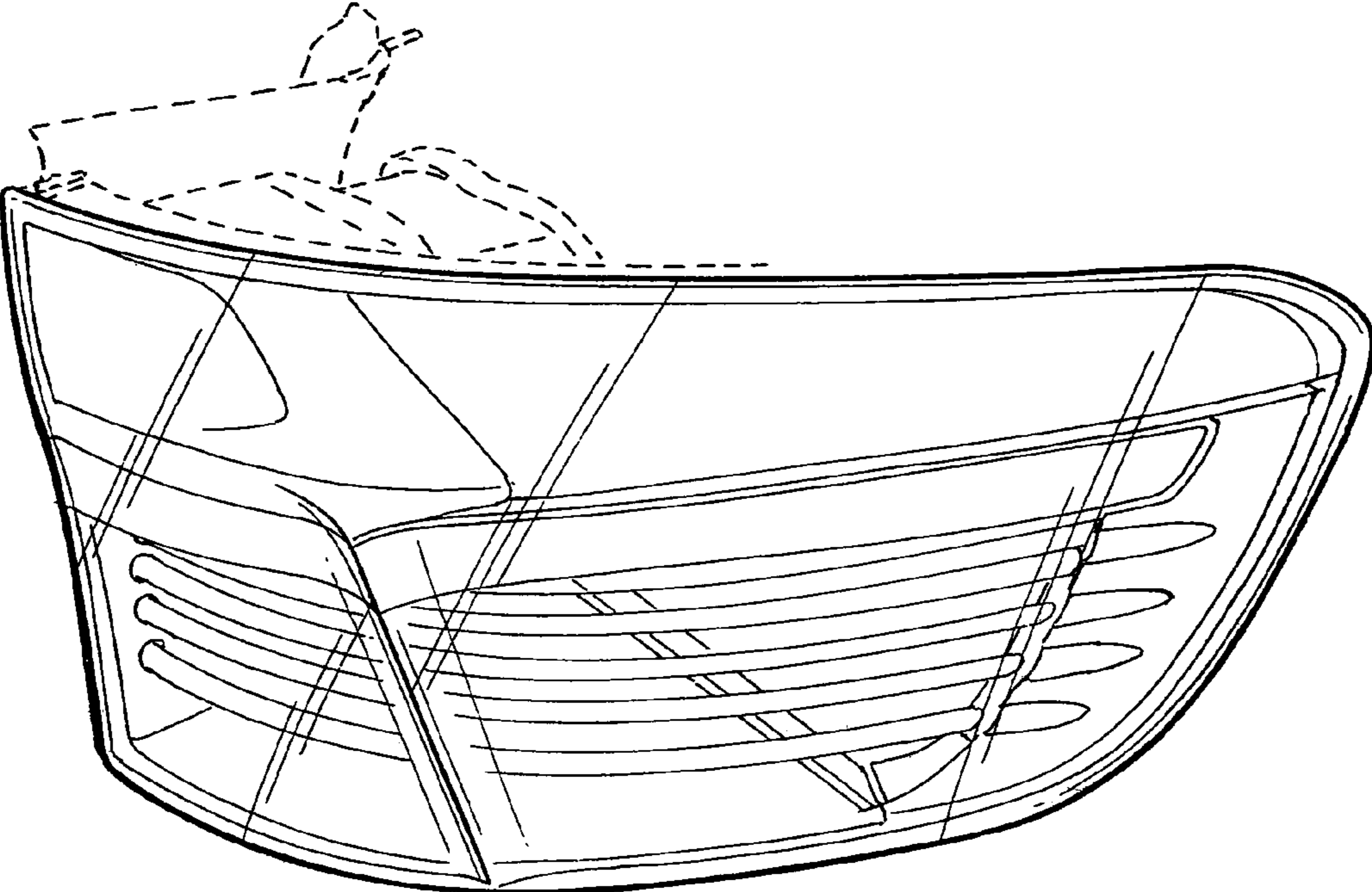


FIG. 5

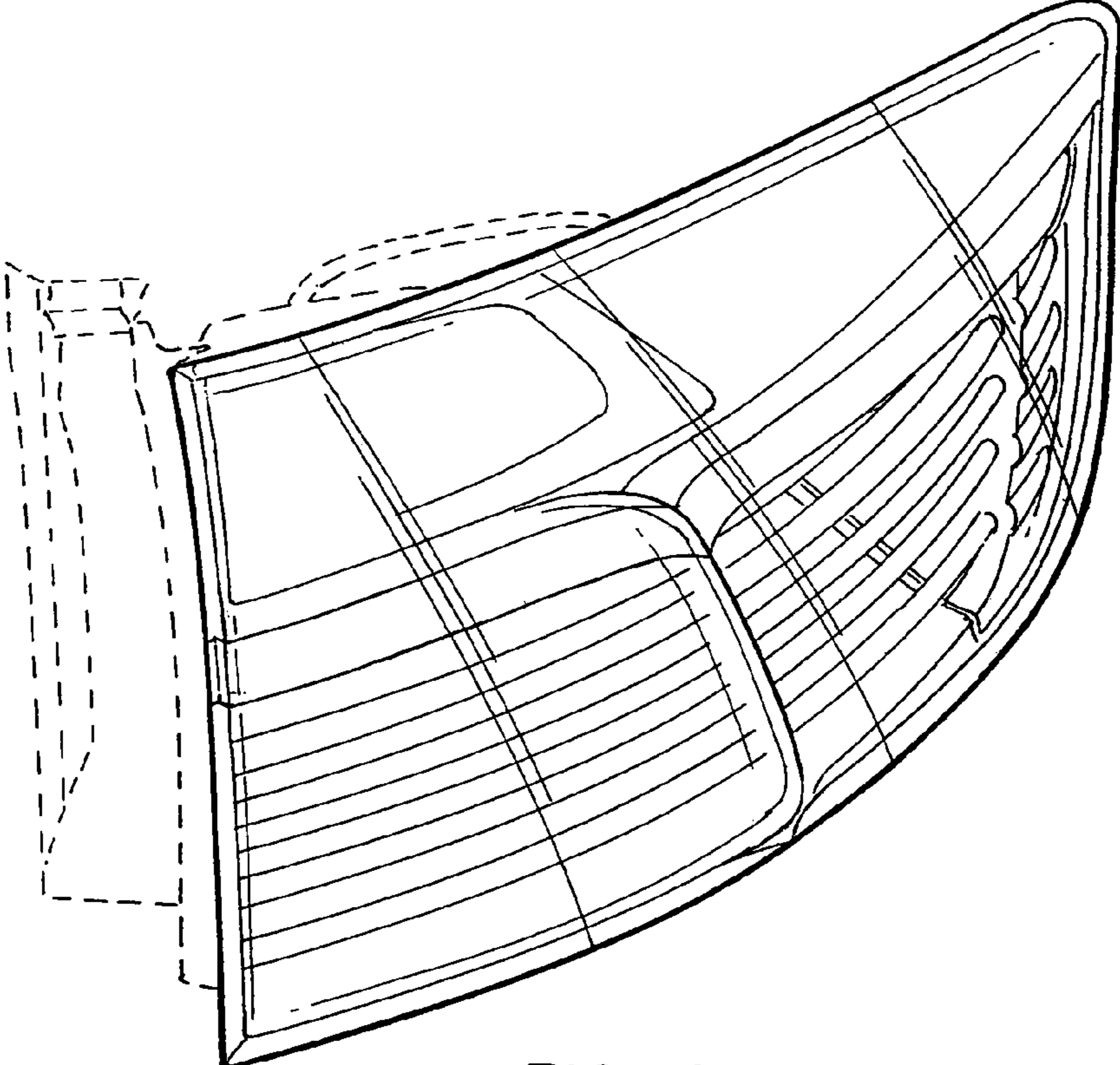


FIG. 6

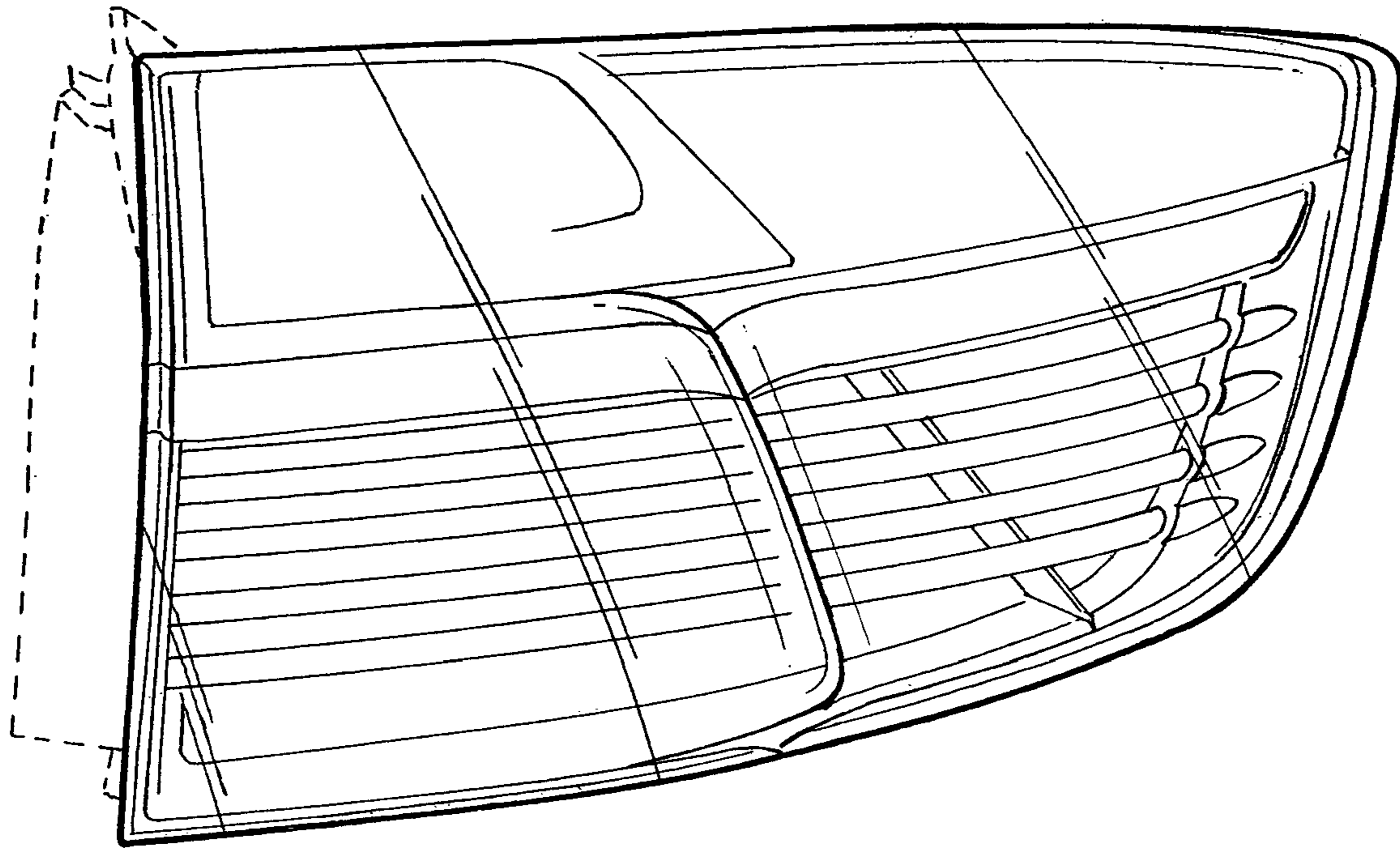


FIG . 7

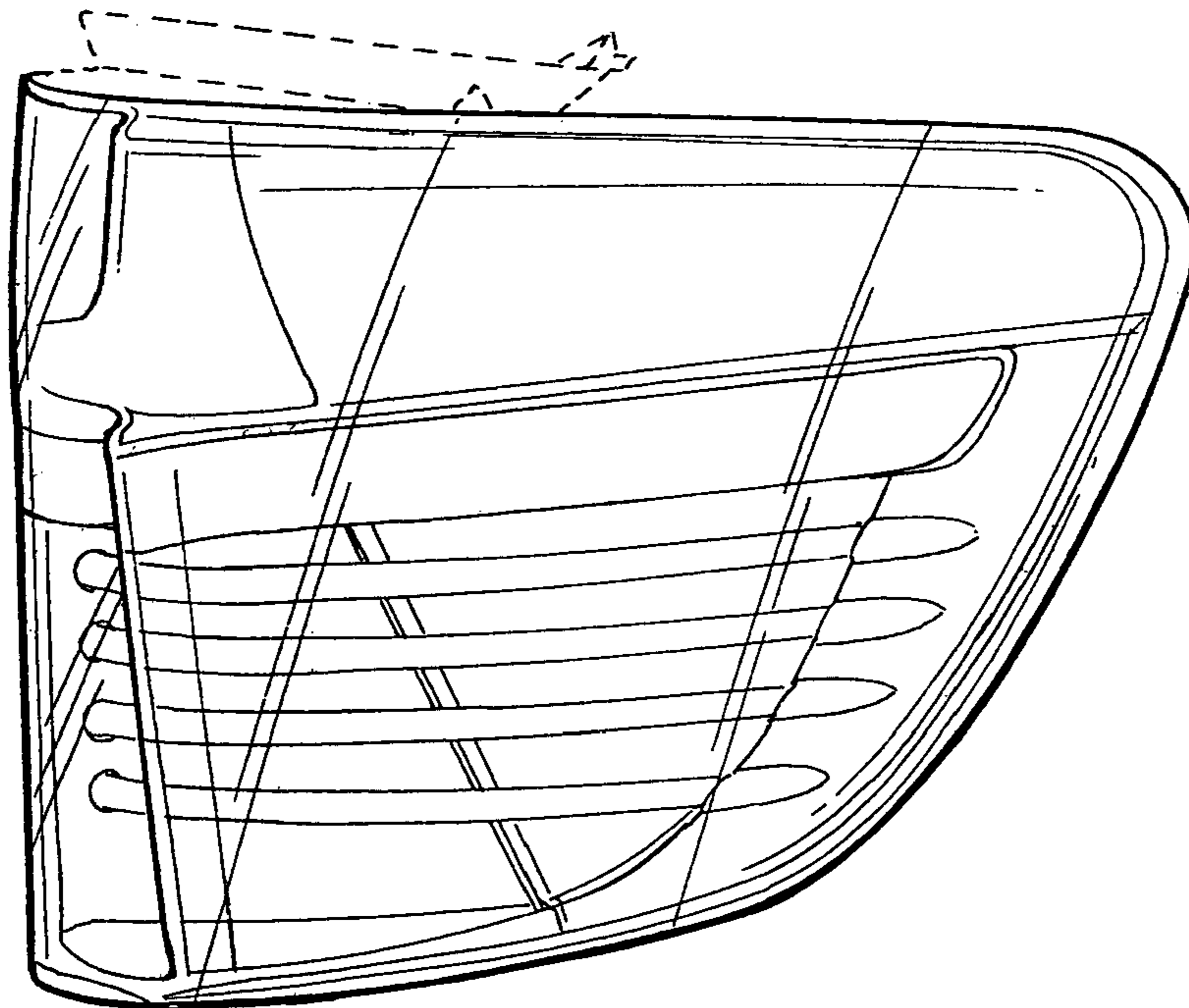


FIG . 8