



US00D581559S

(12) **United States Design Patent**  
**Foo**

(10) **Patent No.:** **US D581,559 S**  
(45) **Date of Patent:** **\*\* Nov. 25, 2008**

(54) **FLUORESCENT TUBE**

D490,168 S \* 5/2004 Foo ..... D26/3  
D494,689 S \* 8/2004 Foo ..... D26/3  
D497,440 S \* 10/2004 Foo ..... D26/3  
D550,866 S \* 9/2007 Foo ..... D26/3

(75) Inventor: **Onn Fah Foo**, Kowloon (HK)

(73) Assignee: **Mass Technology (H.K.) Ltd.**, Kowloon (HK)

(\*\*) Term: **14 Years**

(21) Appl. No.: **29/317,999**

(22) Filed: **May 12, 2008**

(30) **Foreign Application Priority Data**

Mar. 6, 2008 (HK) ..... 0800637

(51) **LOC (8) Cl.** ..... **26-04**

(52) **U.S. Cl.** ..... **D26/3**

(58) **Field of Classification Search** ..... D26/1-4;  
313/313, 315, 317, 318, 493; 315/52, 53,  
315/56, 57, 58

See application file for complete search history.

(56) **References Cited**

**U.S. PATENT DOCUMENTS**

D473,329 S \* 4/2003 Foo ..... D26/3  
D480,161 S \* 9/2003 Foo ..... D26/3

\* cited by examiner

*Primary Examiner*—Marcus A. Jackson  
(74) *Attorney, Agent, or Firm*—Rabin & Berdo, P.C.

(57) **CLAIM**

The ornamental design for a fluorescent tube, as shown and described.

**DESCRIPTION**

FIG. 1 is a perspective view of a fluorescent tube showing my new design;

FIG. 2 is a front view thereof;

FIG. 3 is a rear view thereof;

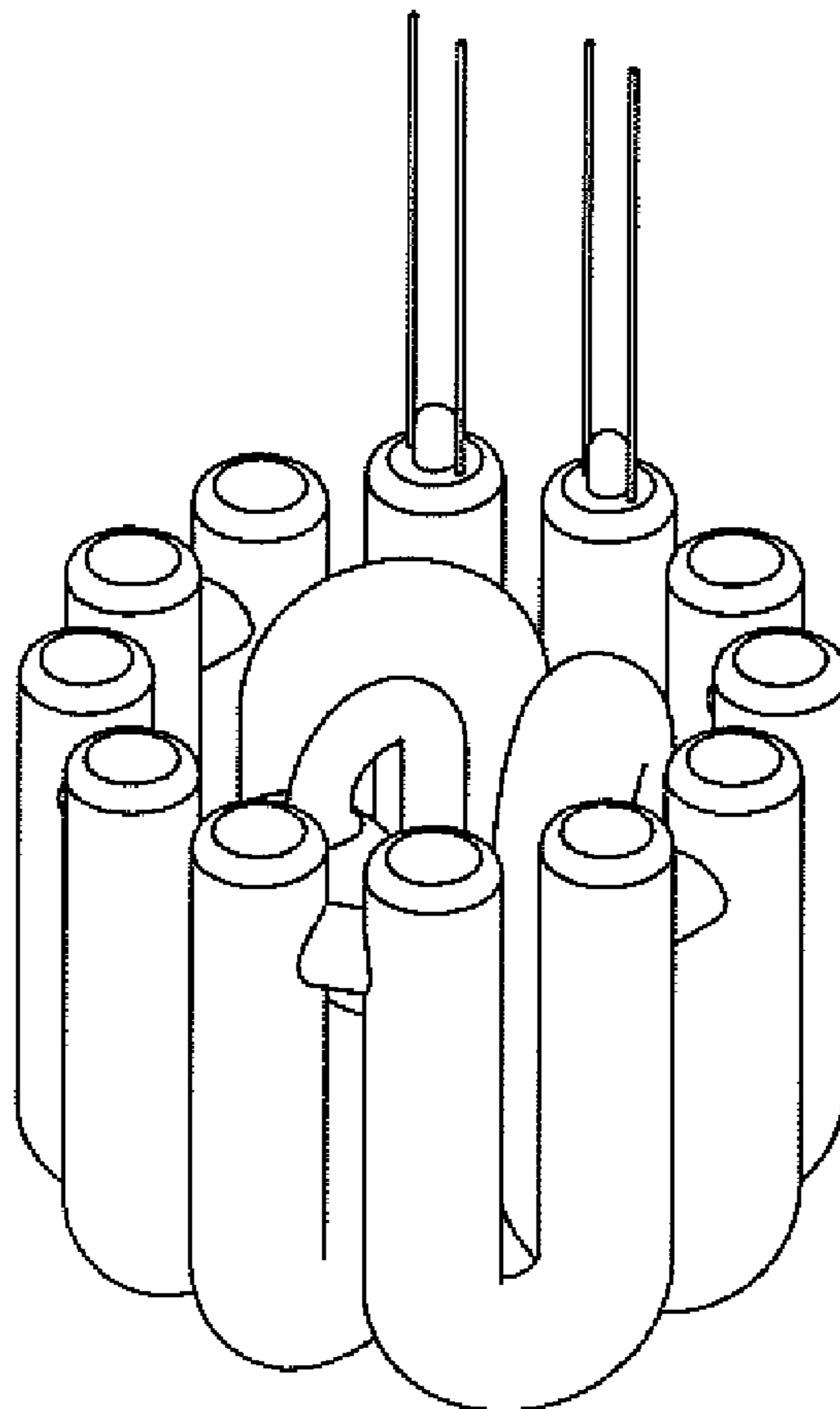
FIG. 4 is a left side view thereof;

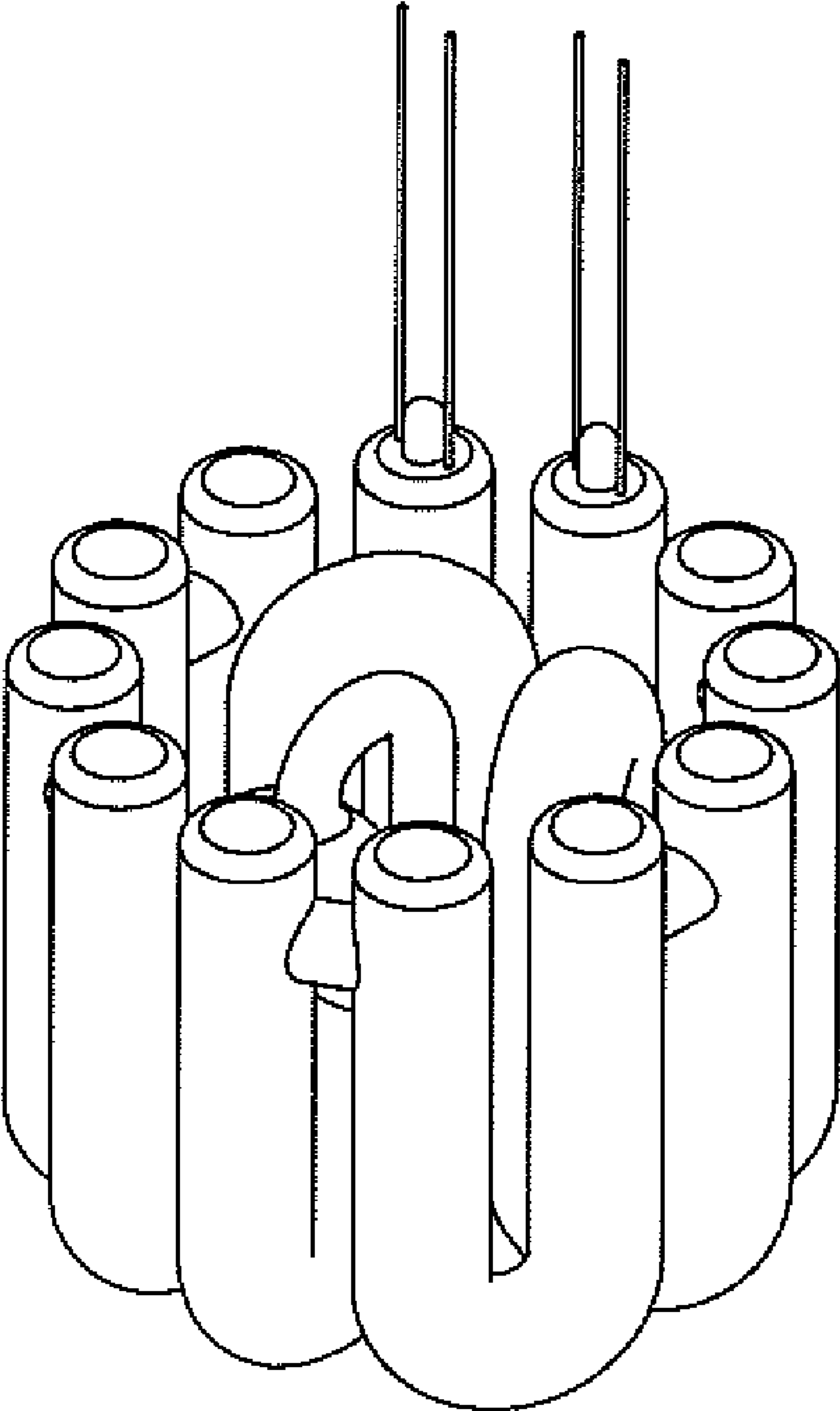
FIG. 5 is a right side view thereof;

FIG. 6 is a top view thereof; and,

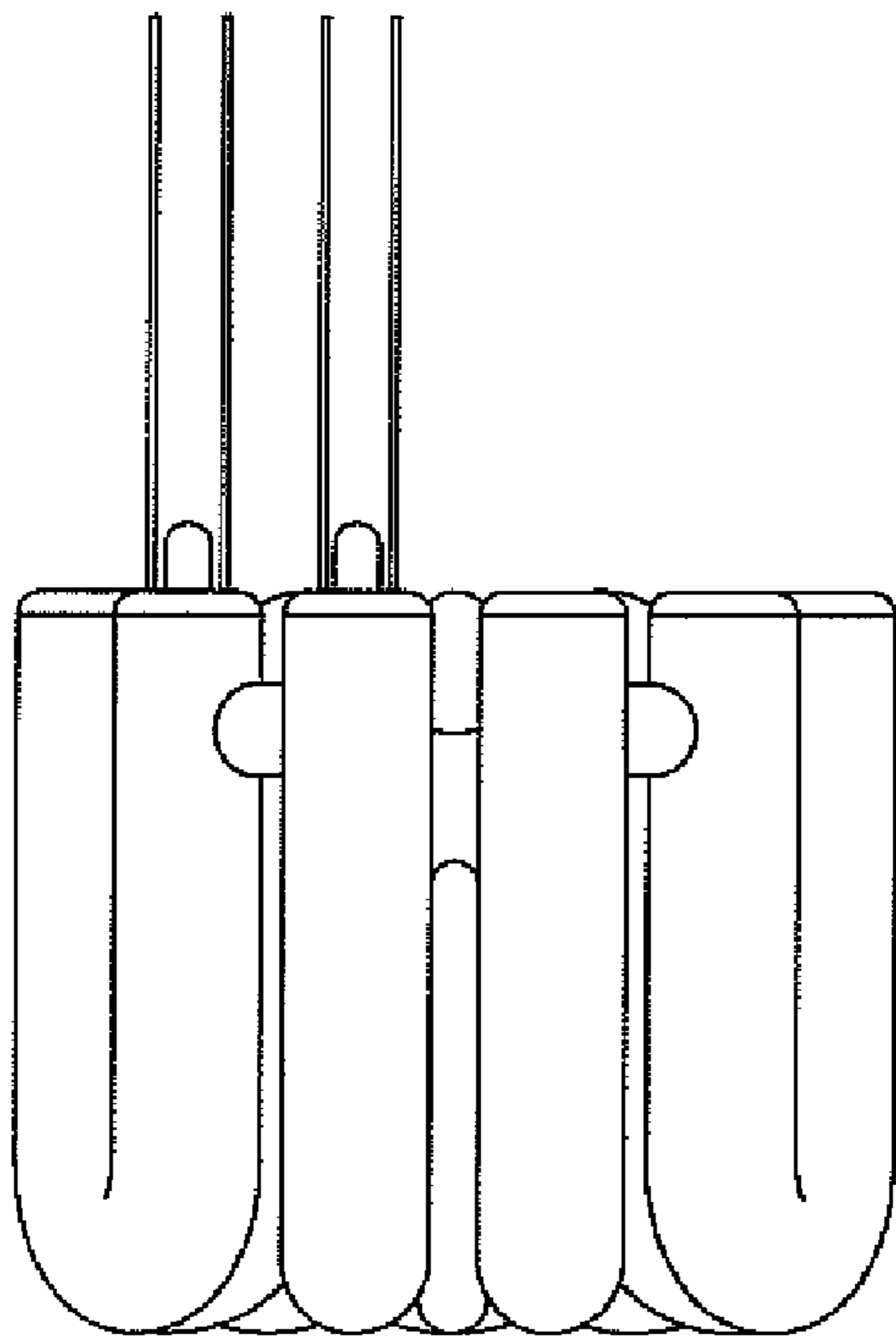
FIG. 7 is a bottom view thereof.

**1 Claim, 4 Drawing Sheets**

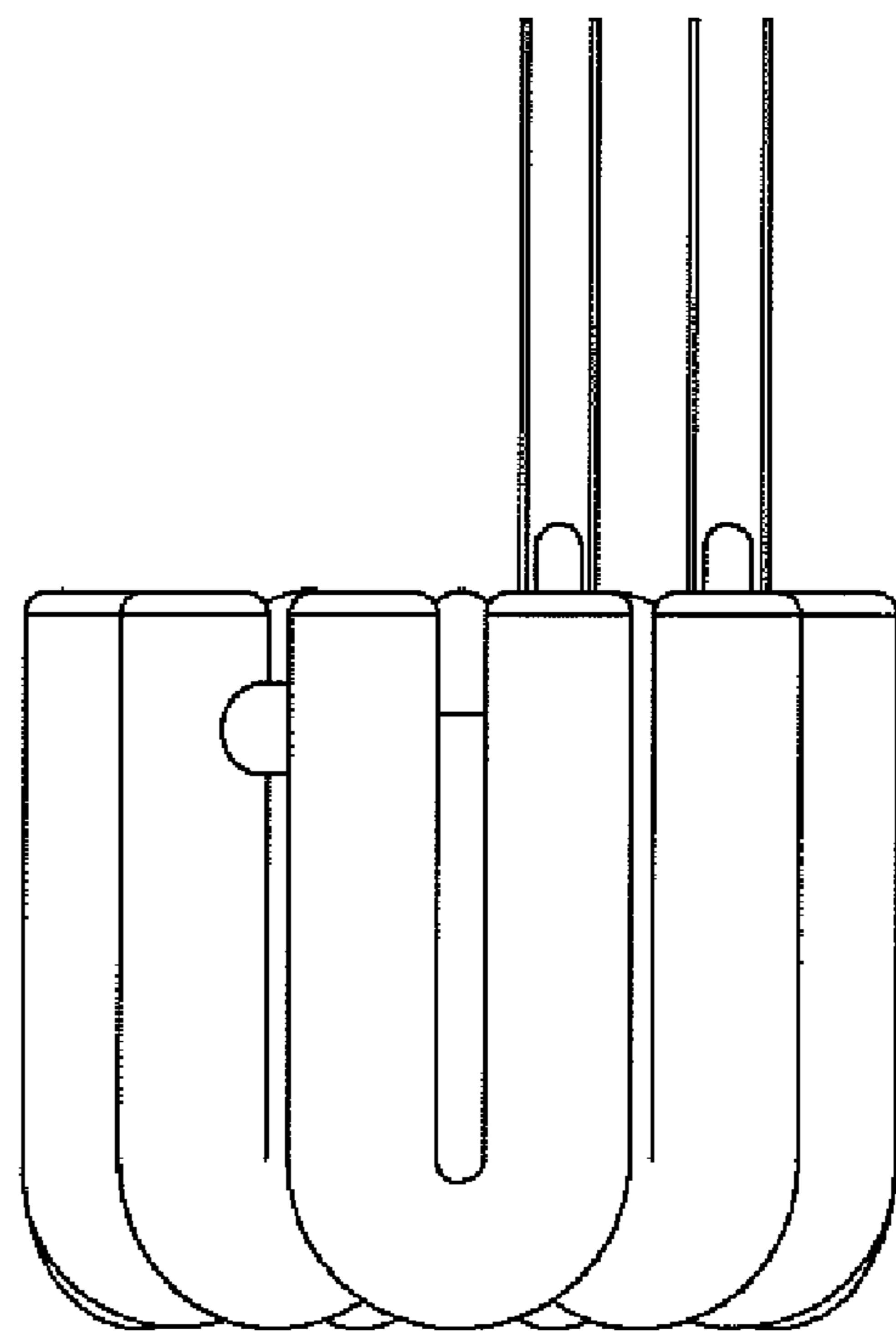




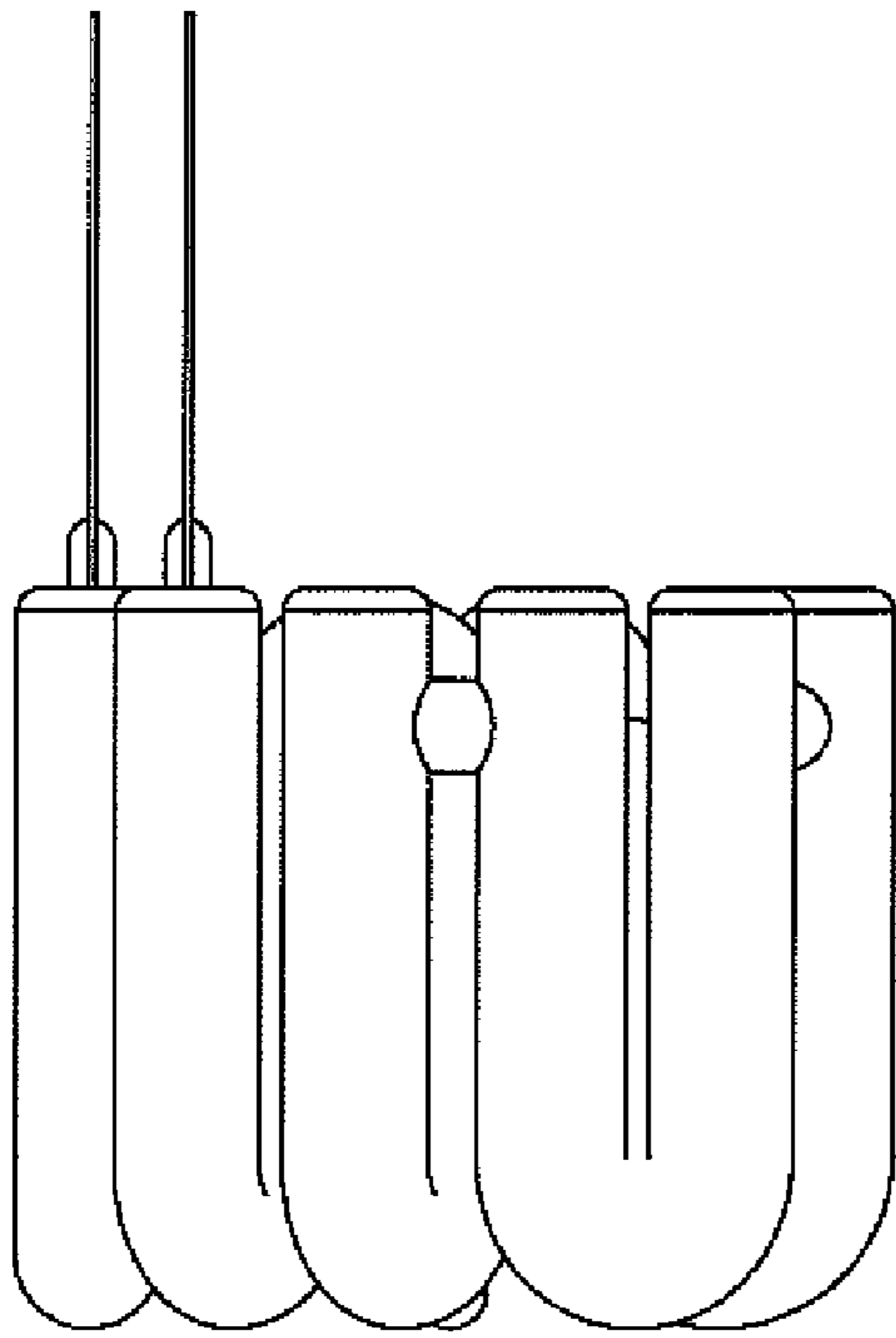
**Fig. 1**



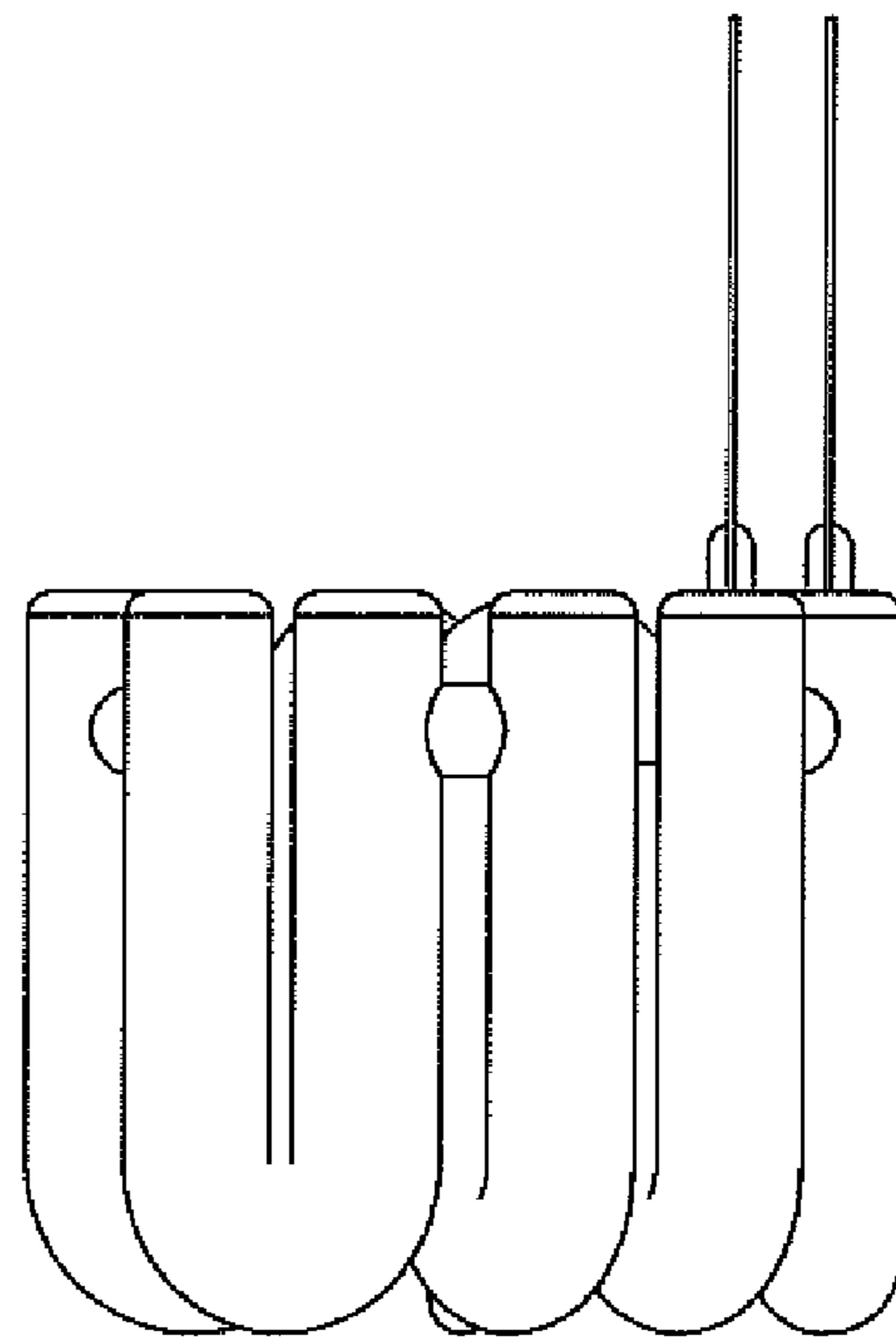
**Fig. 2**



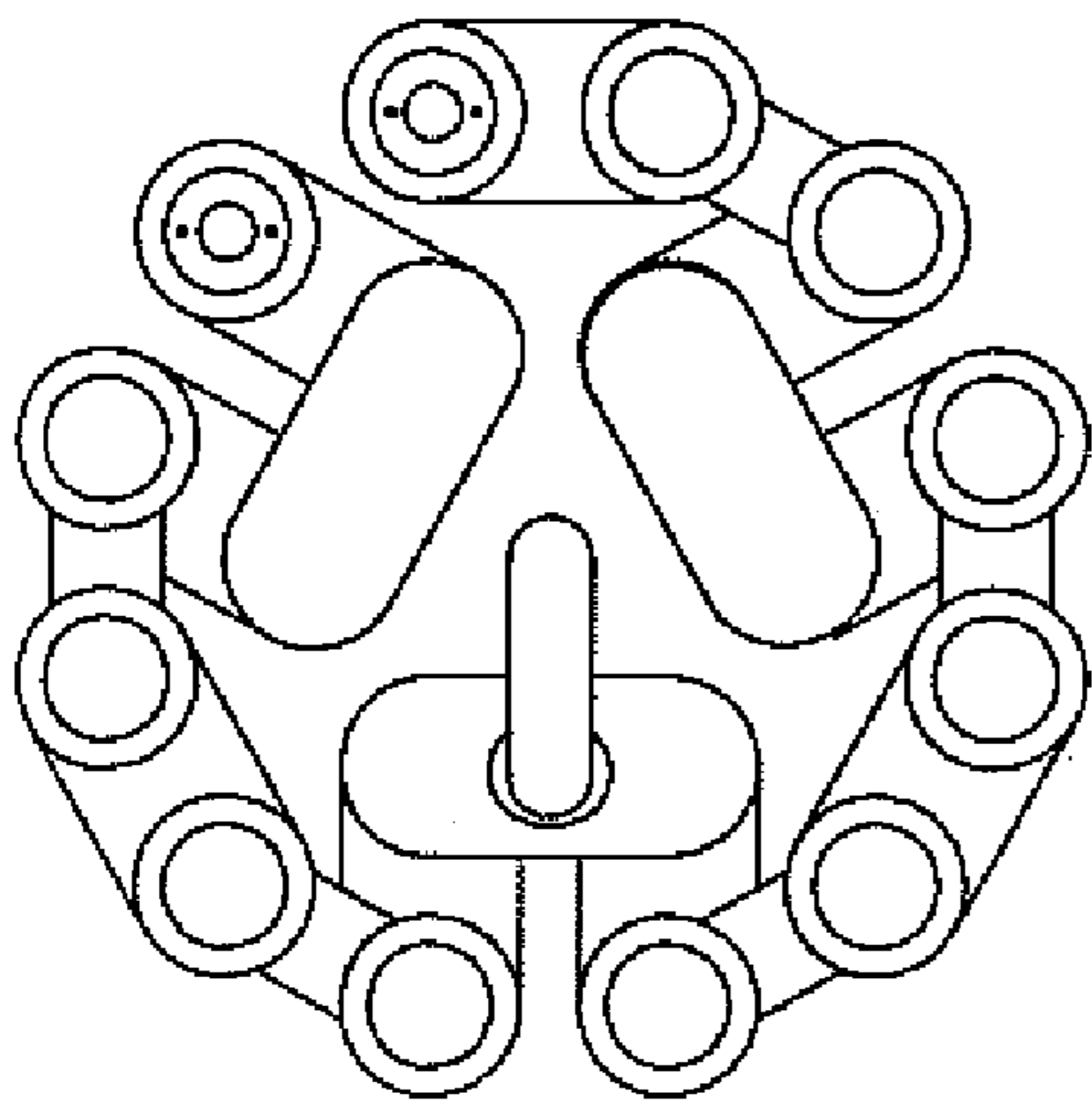
**Fig. 3**



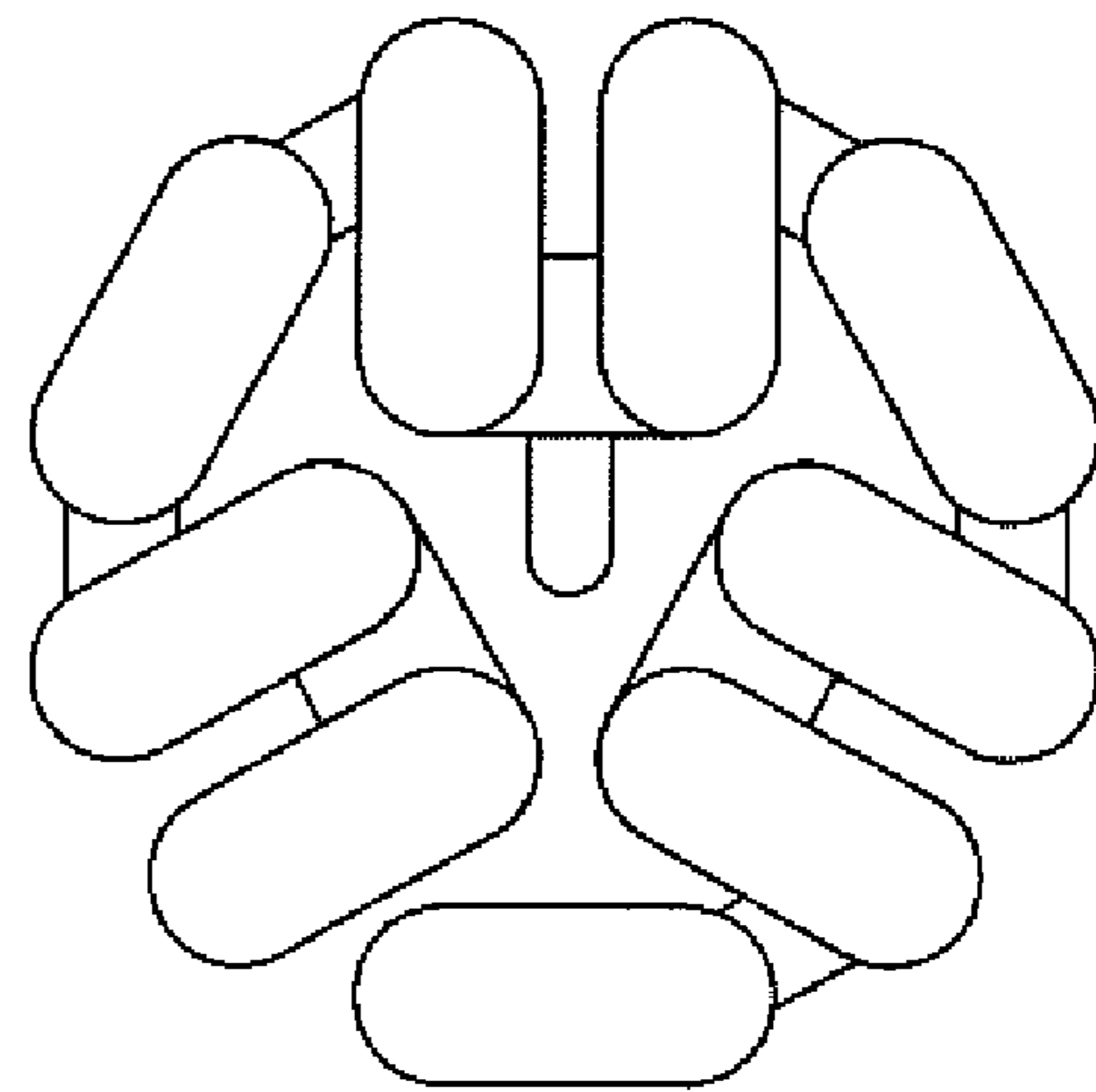
**Fig. 4**



**Fig. 5**



**Fig. 6**



**Fig. 7**