



US00D581557S

(12) **United States Design Patent**
Foo

(10) **Patent No.:** **US D581,557 S**
(45) **Date of Patent:** **** Nov. 25, 2008**

(54) **FLUORESCENT LAMP**

D509,917 S * 9/2005 Egawa D26/3
D516,231 S * 2/2006 Foo D26/3

(75) Inventor: **Onn Fah Foo**, Kowloon (HK)

(73) Assignee: **Mass Technology (H.K.) Ltd.**, Kowloon (HK)

* cited by examiner

Primary Examiner—Marcus A. Jackson

(74) *Attorney, Agent, or Firm*—Rabin & Berdo, P.C.

(**) Term: **14 Years**

(21) Appl. No.: **29/317,583**

(57) **CLAIM**

(22) Filed: **May 2, 2008**

The ornamental design for a fluorescent lamp, as shown and described.

(30) **Foreign Application Priority Data**

DESCRIPTION

Apr. 21, 2008 (HK) 0801055

(51) **LOC (8) Cl.** **26-04**

(52) **U.S. Cl.** **D26/3**

(58) **Field of Classification Search** D26/1-4;
313/313, 315, 317, 318, 493; 315/52, 53,
315/56, 57, 58

See application file for complete search history.

FIG. 1 is a perspective view of a fluorescent lamp showing my new design;

FIG. 2 is a front view thereof;

FIG. 3 is a rear view thereof;

FIG. 4 is a right side view thereof;

FIG. 5 is a left side view thereof;

FIG. 6 is a top view thereof; and,

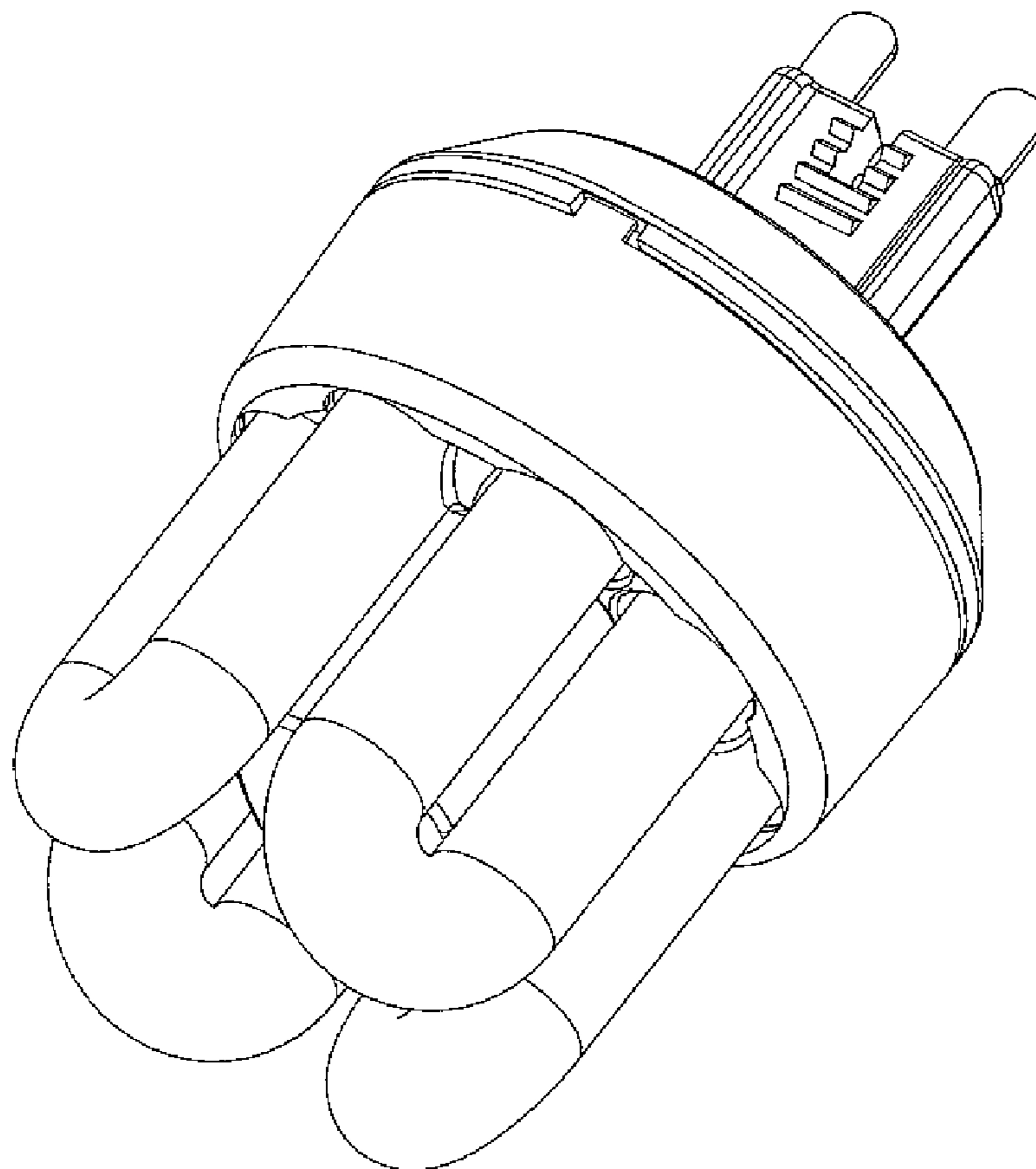
FIG. 7 is a bottom view thereof.

(56) **References Cited**

U.S. PATENT DOCUMENTS

D464,154 S * 10/2002 Xu D26/3

1 Claim, 7 Drawing Sheets



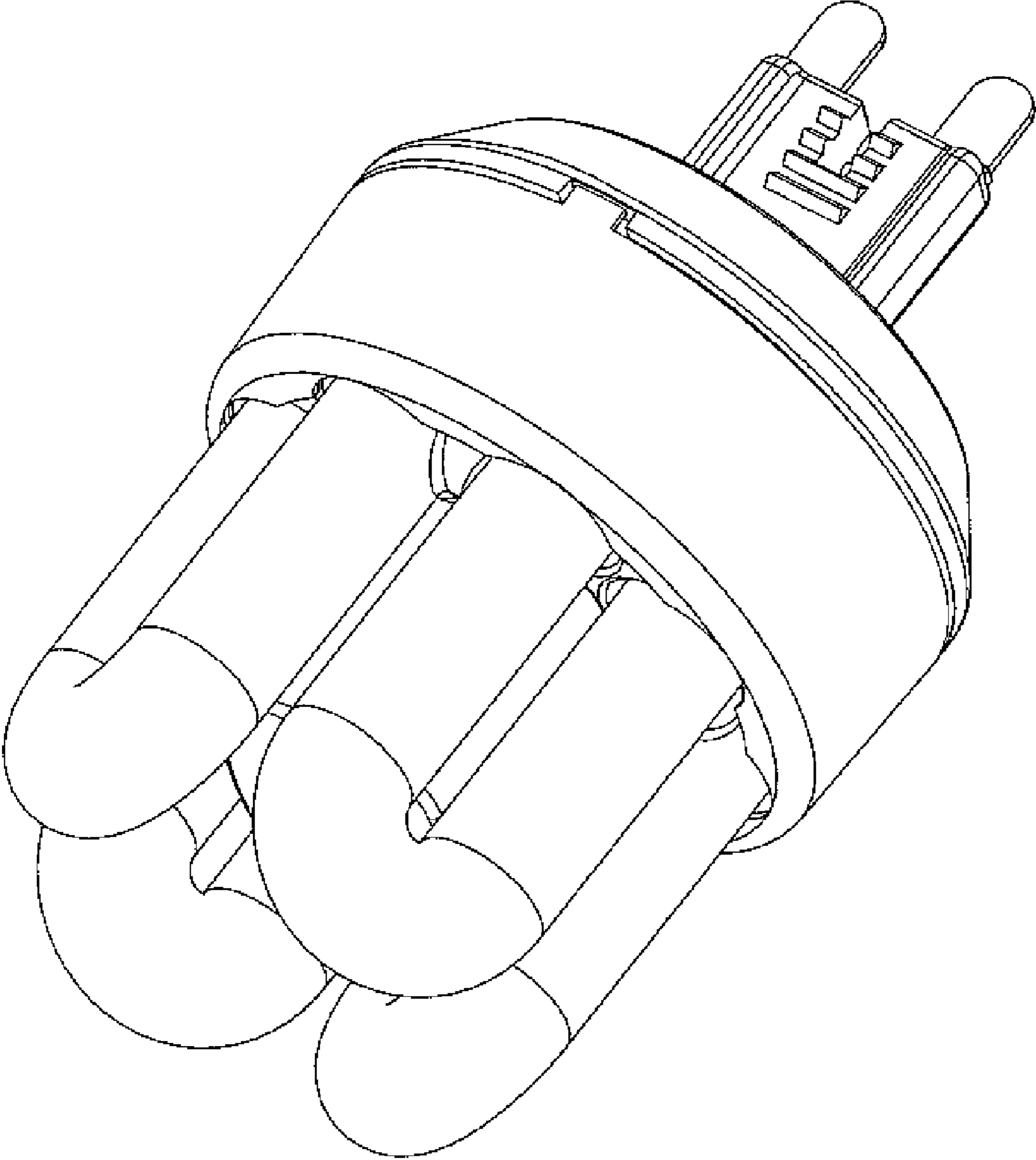


Fig. 1

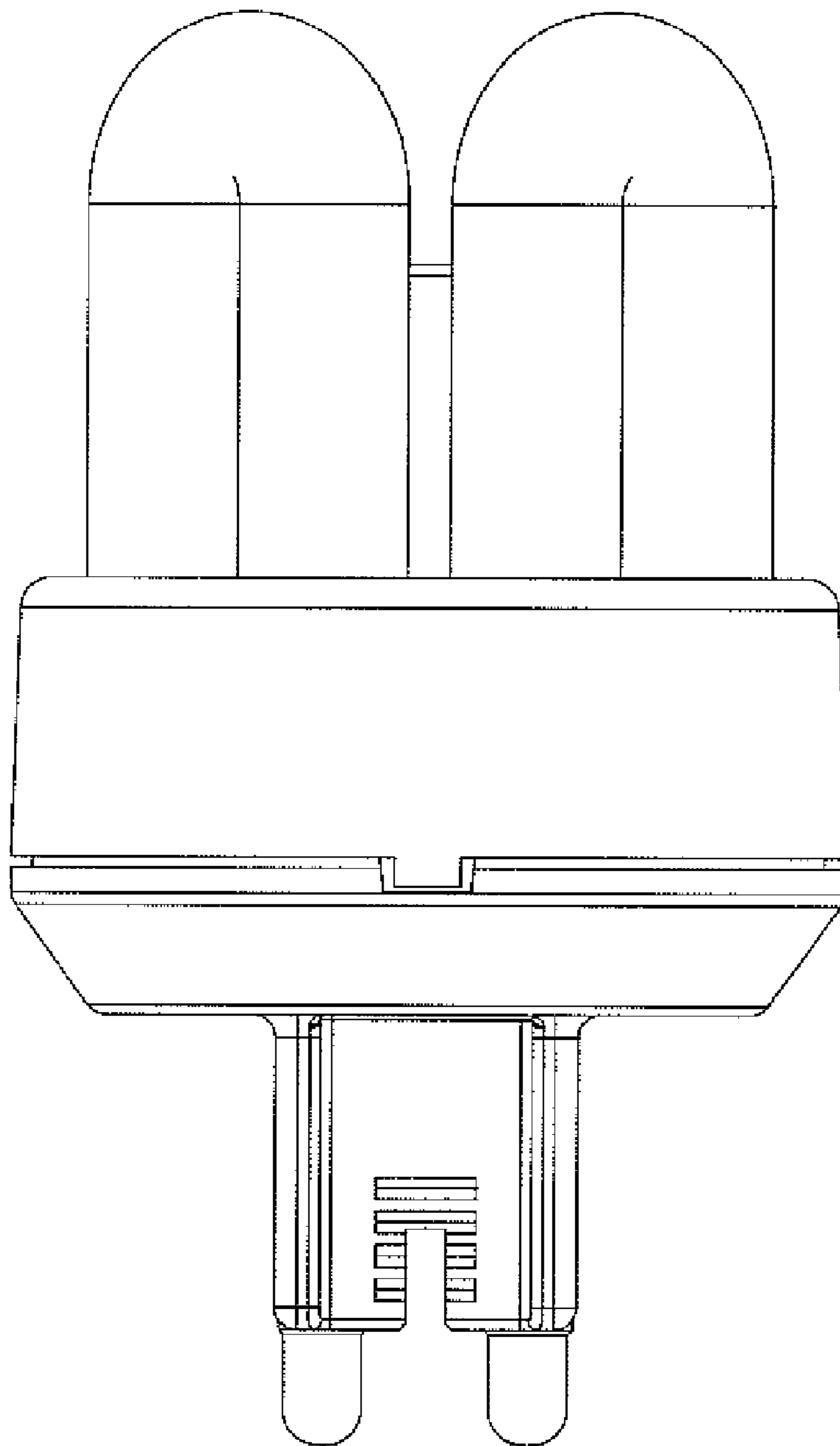


Fig. 2

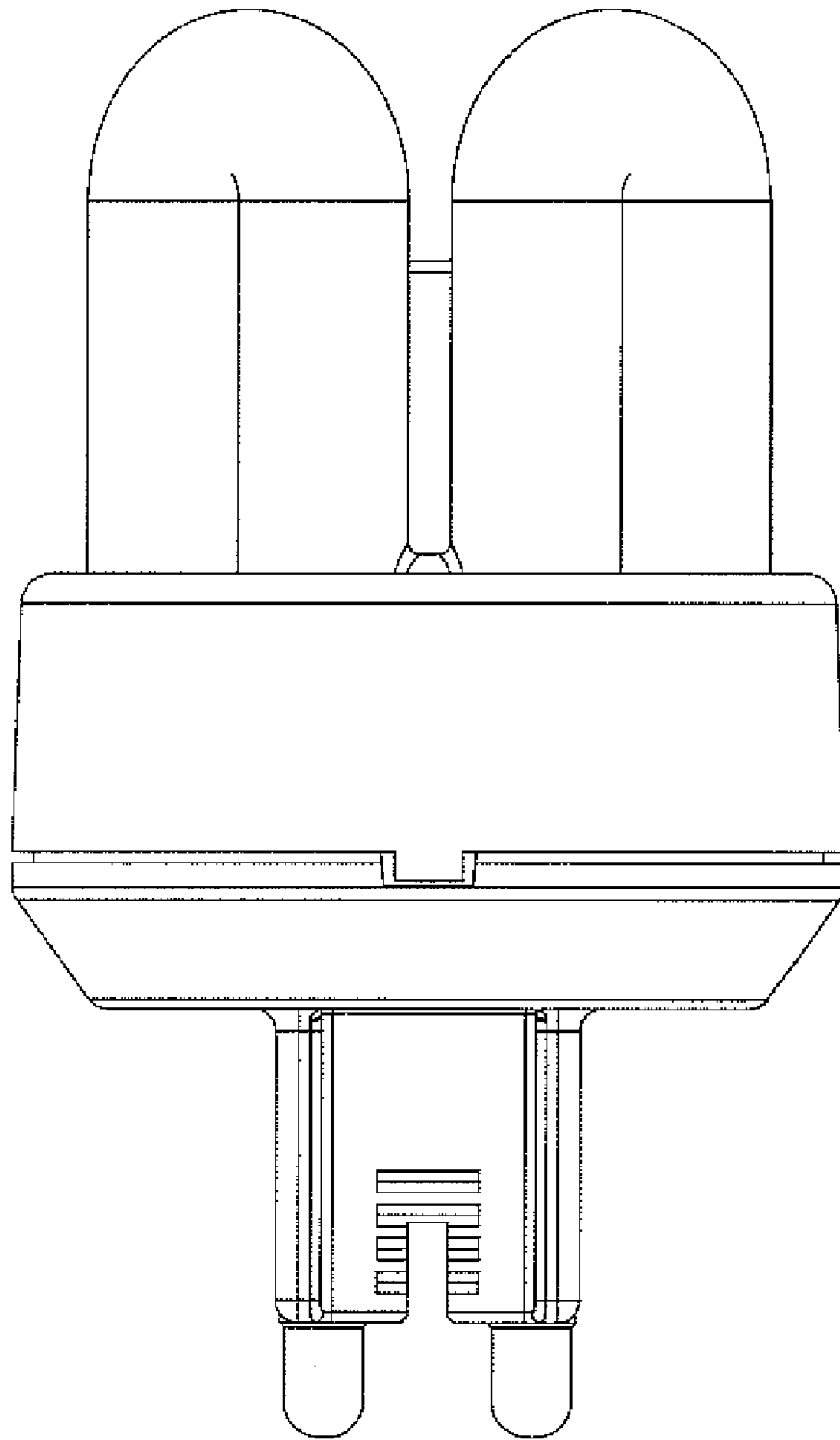


Fig. 3

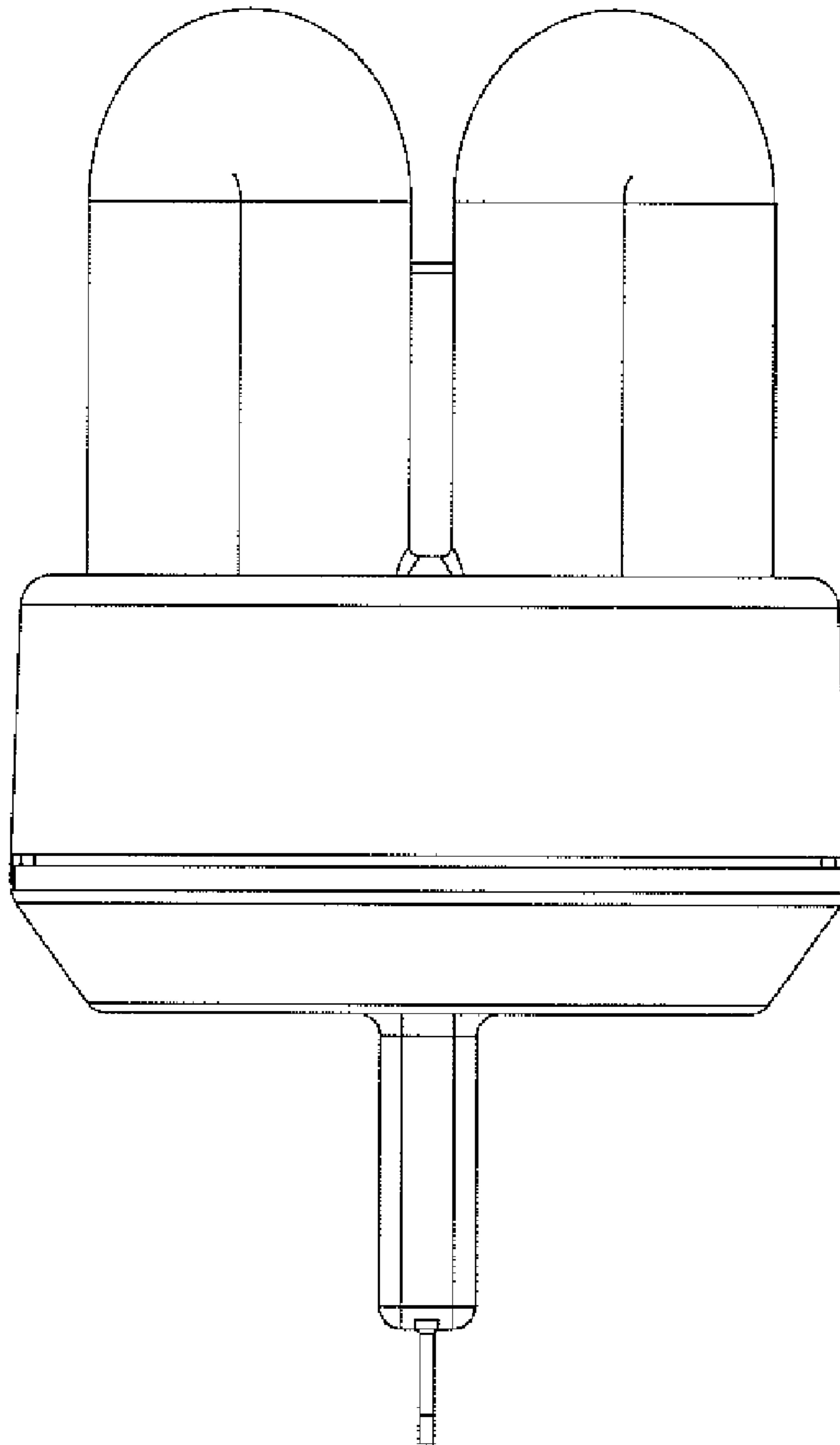


Fig. 4

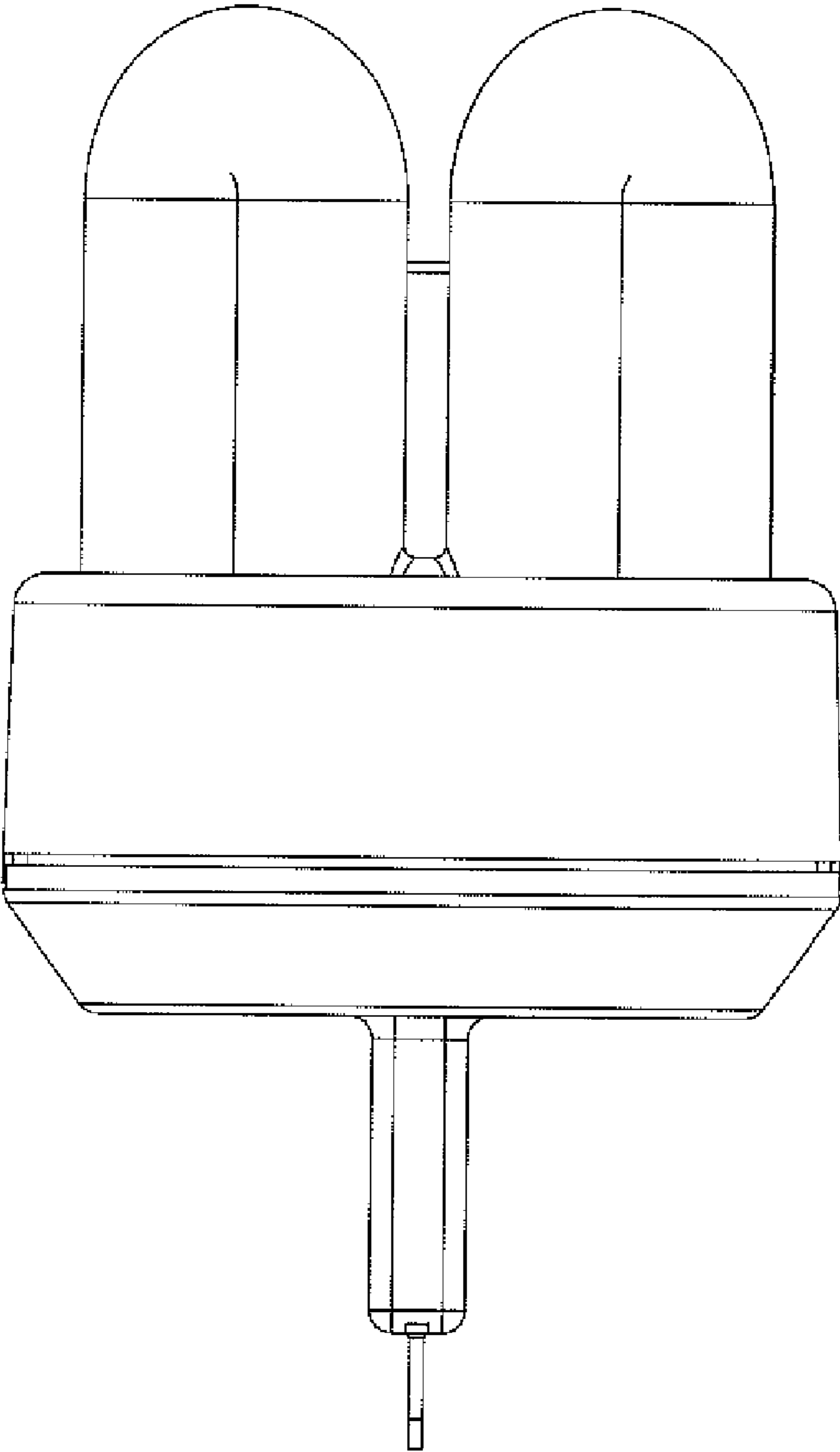


Fig. 5

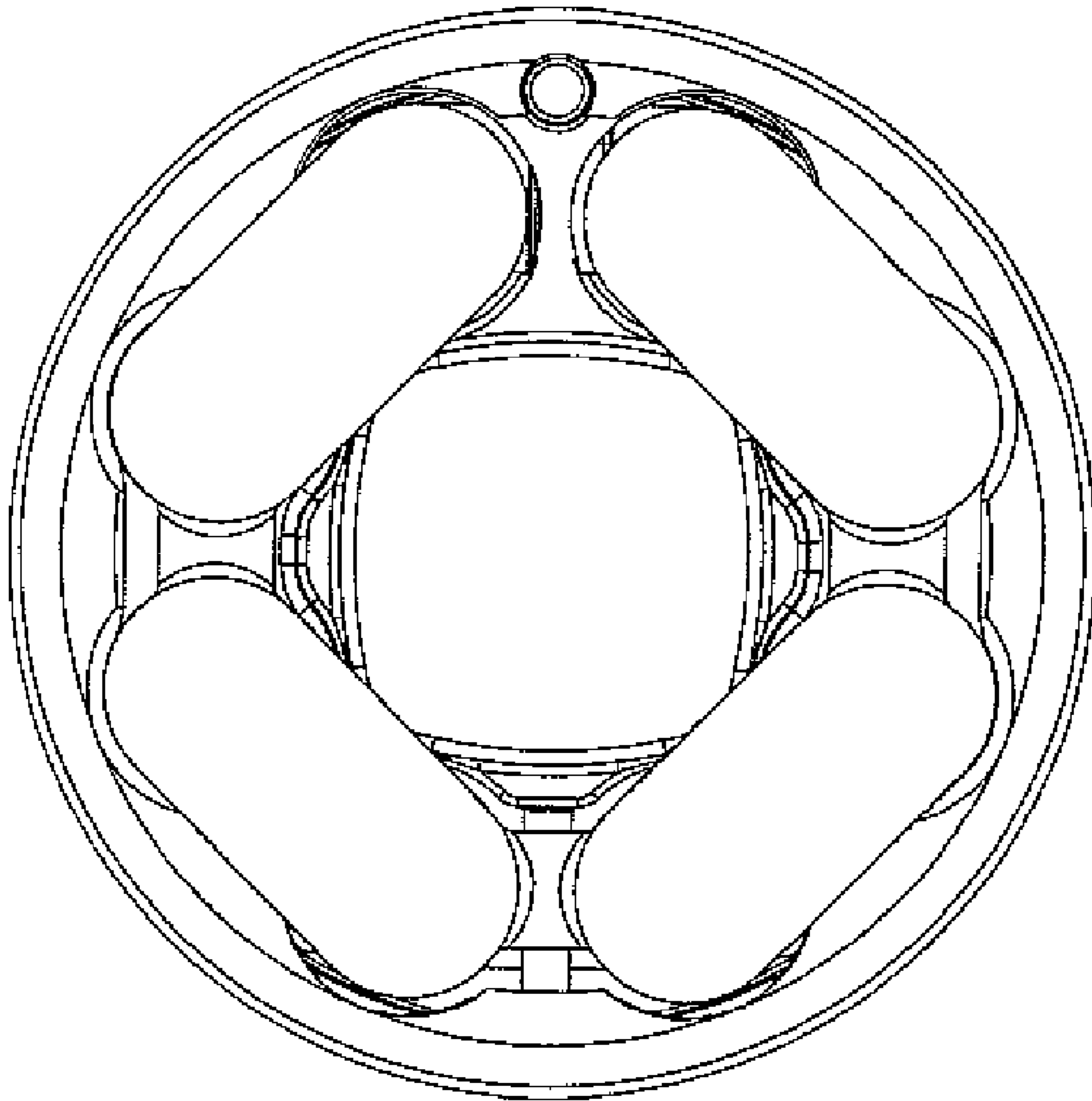


Fig. 6

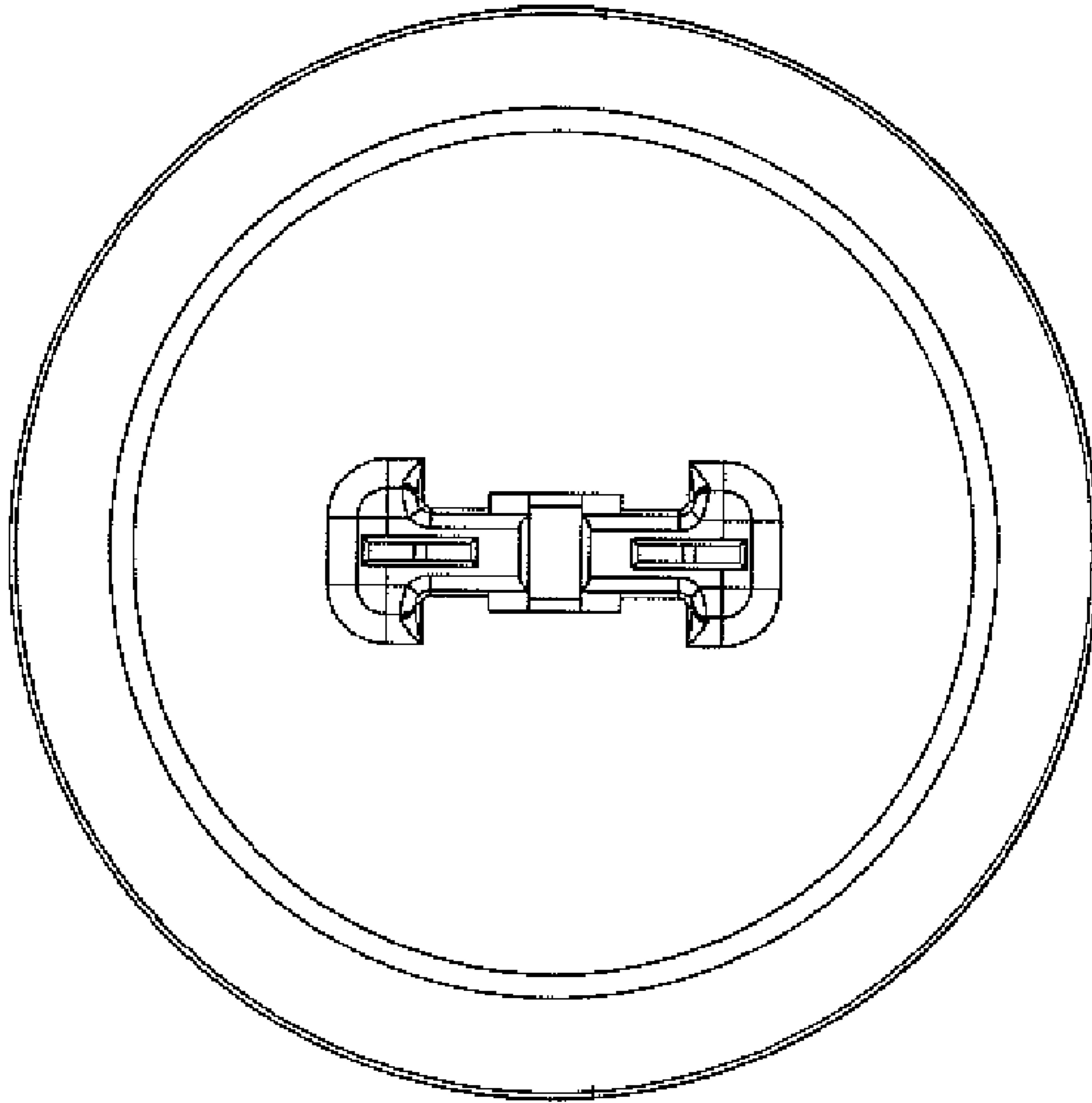


Fig. 7