



US00D581556S

(12) **United States Design Patent**
To et al.

(10) **Patent No.:** **US D581,556 S**

(45) **Date of Patent:** **** Nov. 25, 2008**

(54) **SOLID STATE LIGHTING SPOT**

(75) Inventors: **Ernest Kin Man To**, Hong Kong (HK);
Nan Zhao, Shanghai (CN)

(73) Assignee: **Koninklijke Philips Electronics N.V.**,
Eindhoven (NL)

(**) Term: **14 Years**

(21) Appl. No.: **29/306,854**

(22) Filed: **Apr. 17, 2008**

(30) **Foreign Application Priority Data**

Oct. 19, 2007 (EM) 000812359-0004

(51) **LOC (8) Cl.** **26-04**

(52) **U.S. Cl.** **D26/2**

(58) **Field of Classification Search** D26/1-4;
313/313, 315, 317, 318, 493; 315/53, 56,
315/57, 58

See application file for complete search history.

(56) **References Cited**

U.S. PATENT DOCUMENTS

D508,575 S * 8/2005 Buschmann et al. D26/2

D528,227 S * 9/2006 Chou et al. D26/2
D531,741 S * 11/2006 Takahashi D26/2
D534,665 S * 1/2007 Egawa et al. D26/2
D538,953 S * 3/2007 Mama D26/2
D541,440 S * 4/2007 Feit D26/2
D553,267 S * 10/2007 Yuen D26/2

* cited by examiner

Primary Examiner—Marcus A. Jackson

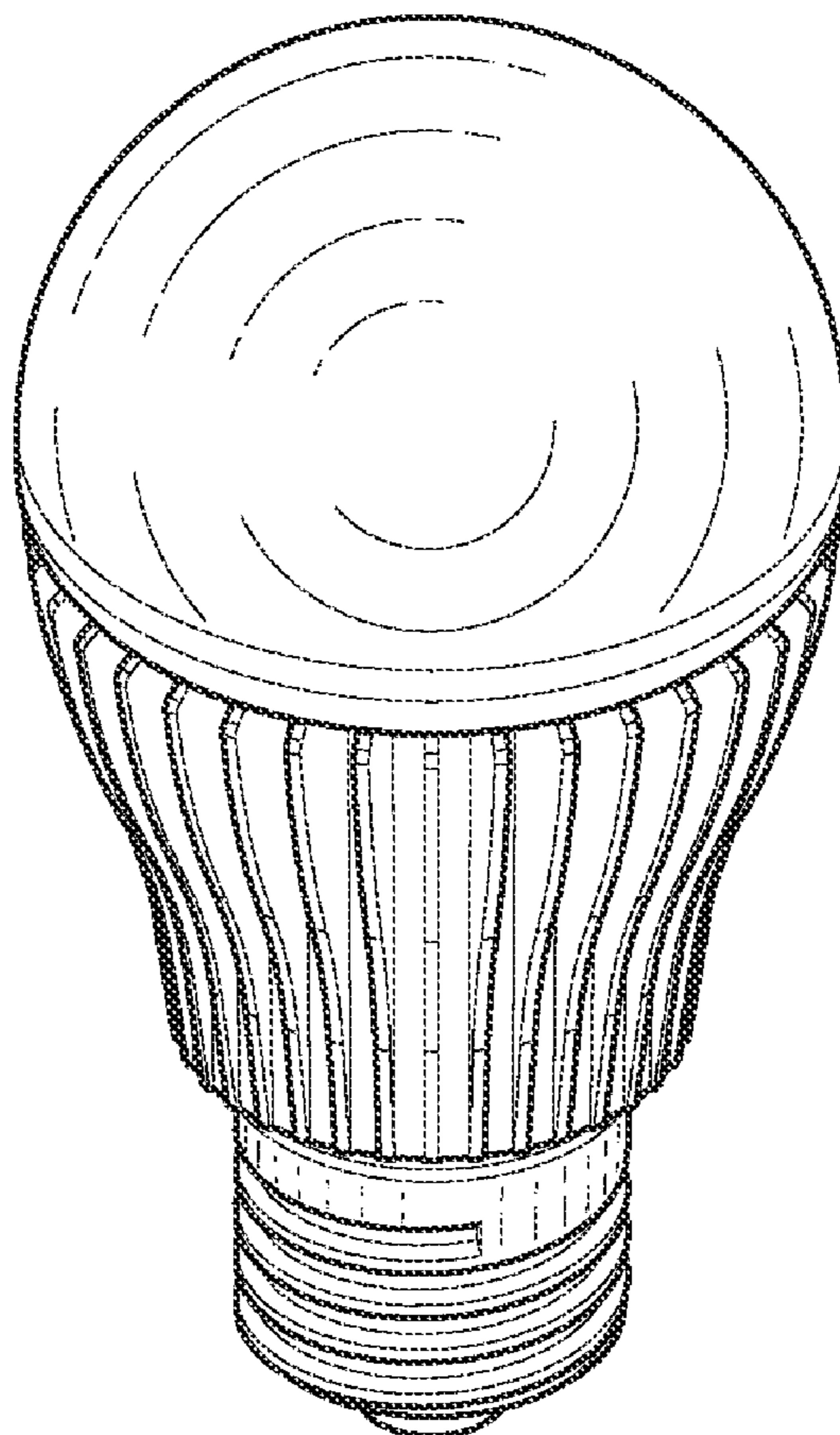
(57) **CLAIM**

The ornamental design for a solid state lighting spot, as shown.

DESCRIPTION

FIG. 1 is a perspective view showing my design;
FIG. 2 is a front elevational view thereof;
FIG. 3 is a rear elevational view thereof;
FIG. 4 is a right side elevational view thereof;
FIG. 5 is a left side elevational view thereof;
FIG. 6 is a top plan view thereof; and,
FIG. 7 is a bottom plan view thereof.

1 Claim, 3 Drawing Sheets



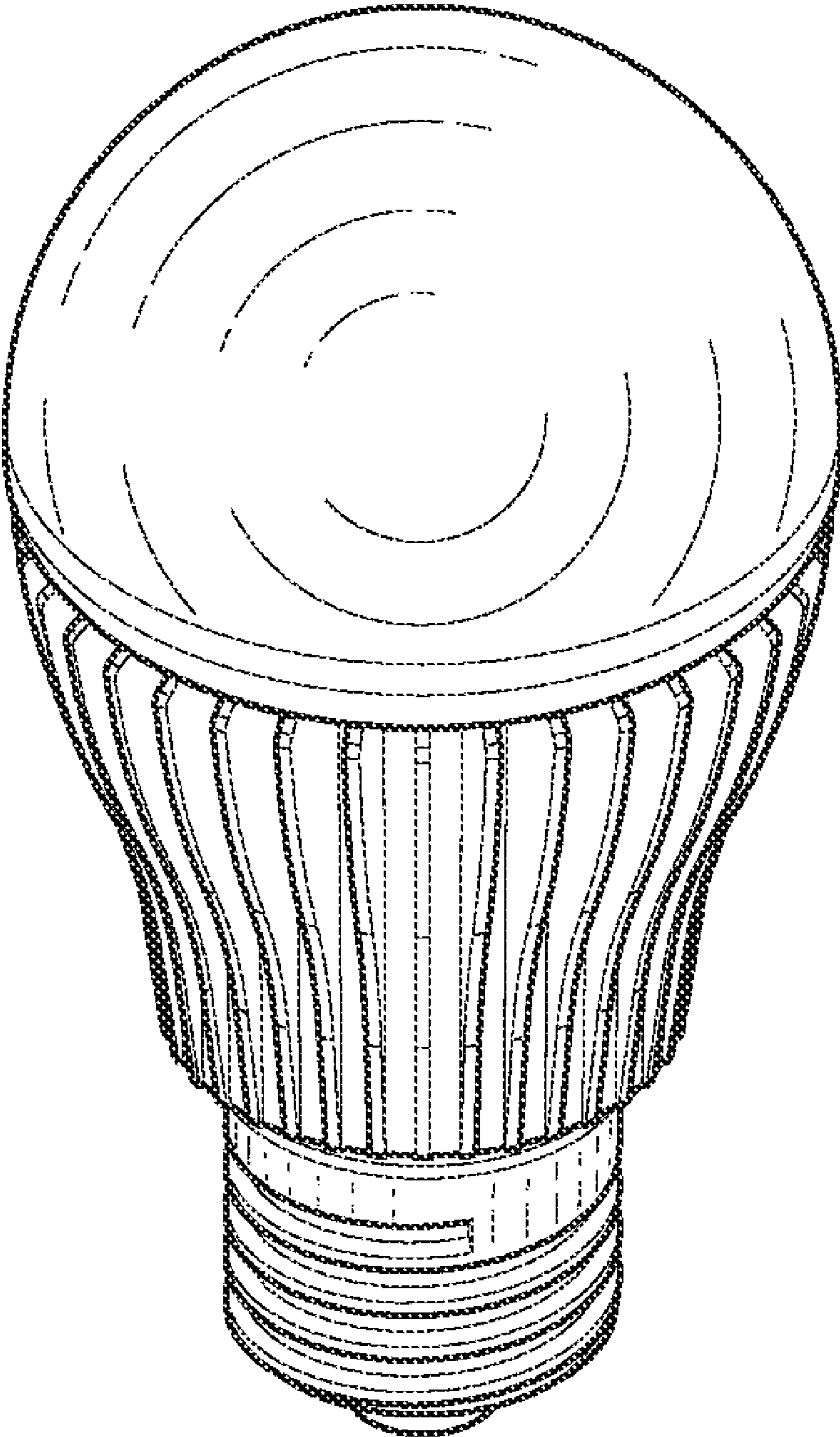


FIG. 1

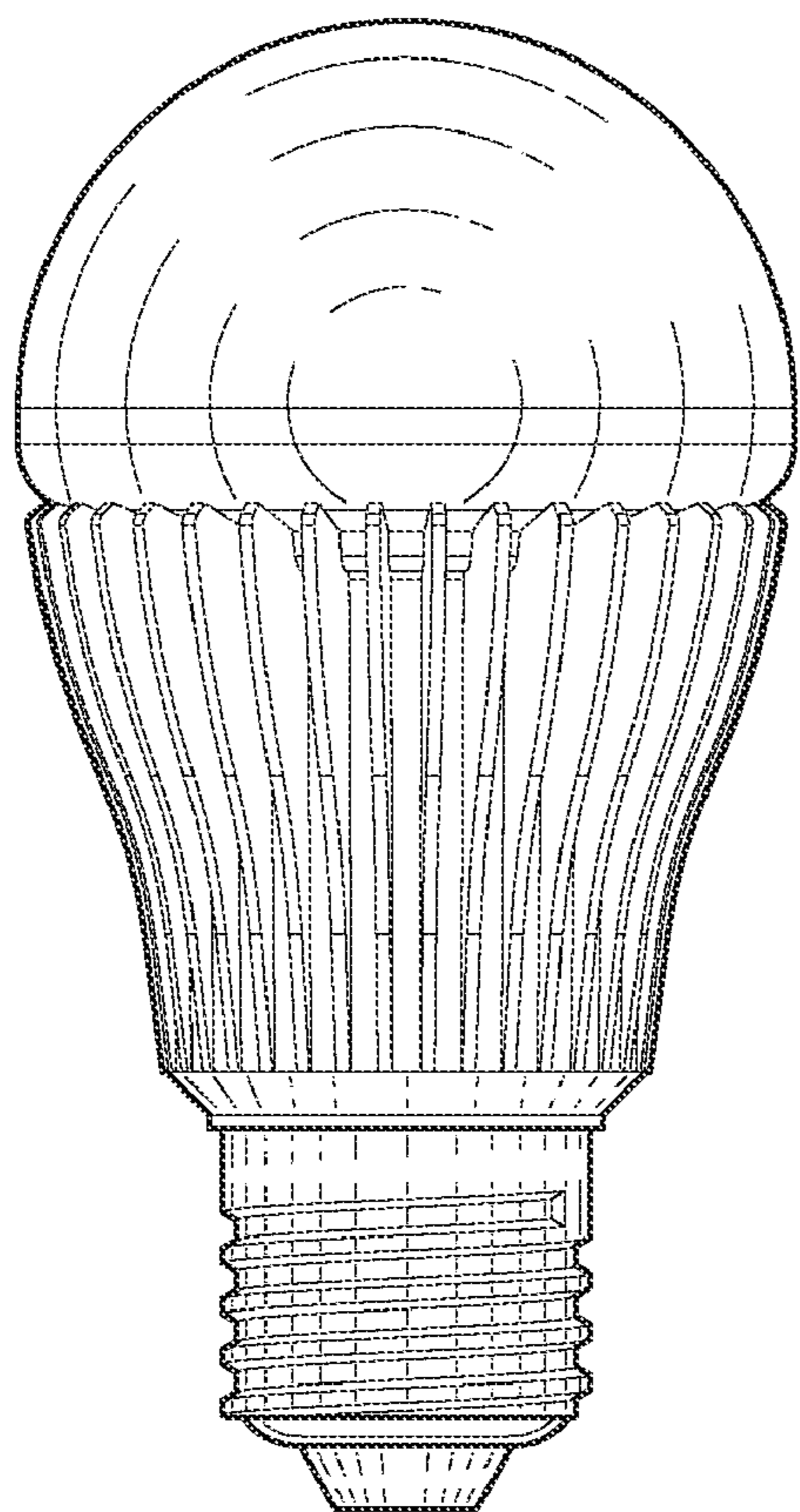


FIG. 2

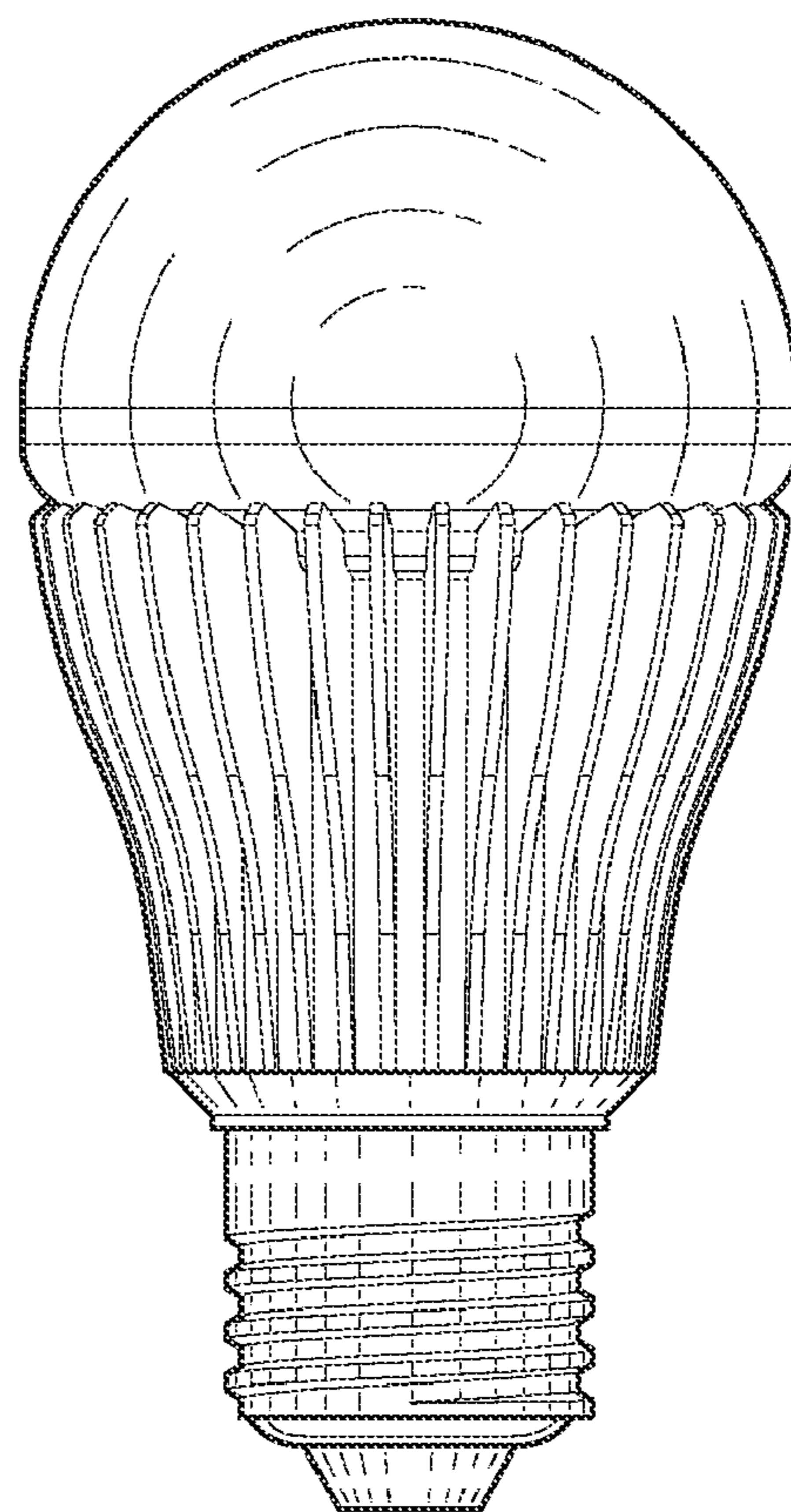


FIG. 3

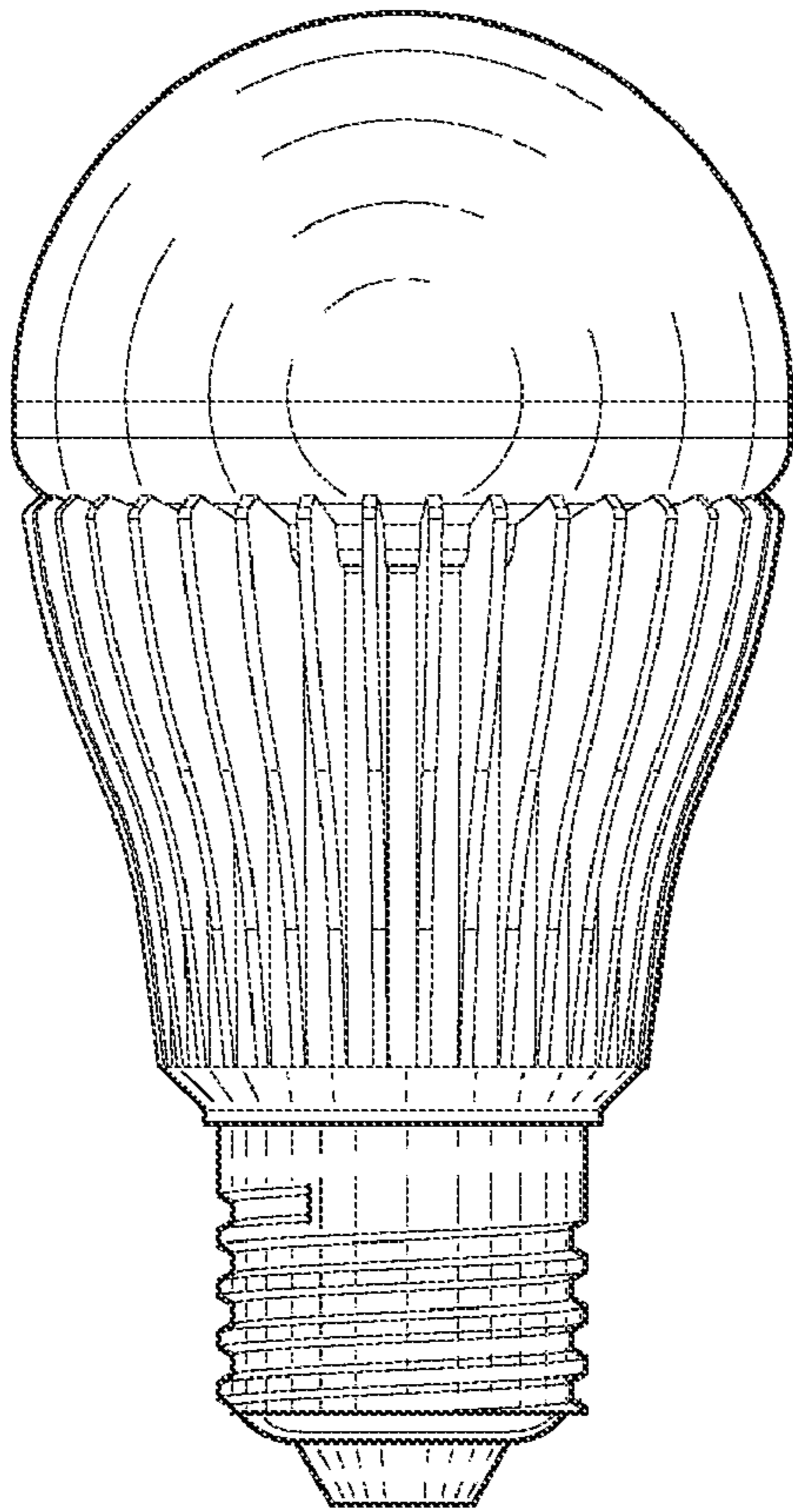


FIG. 4

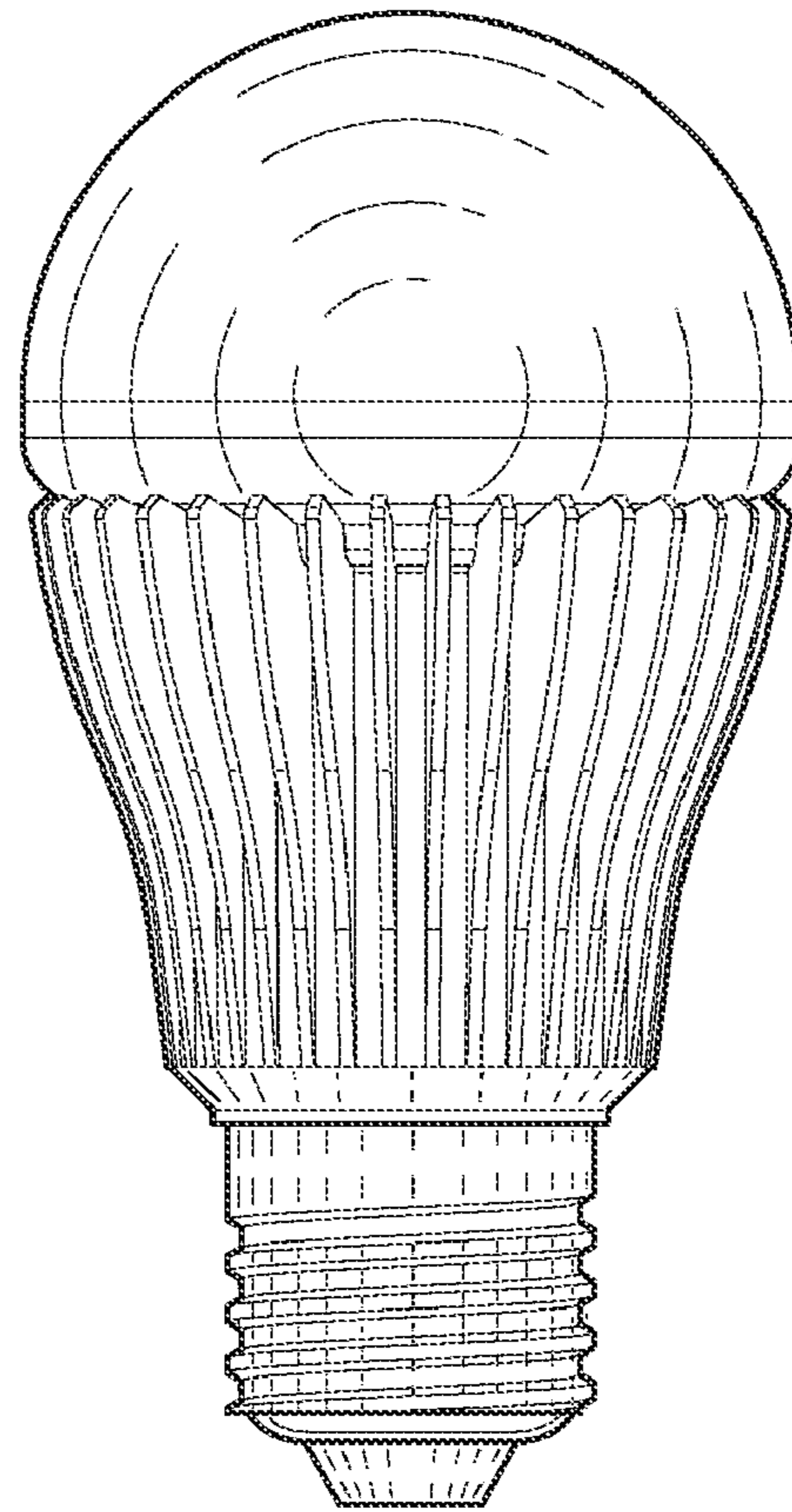


FIG. 5

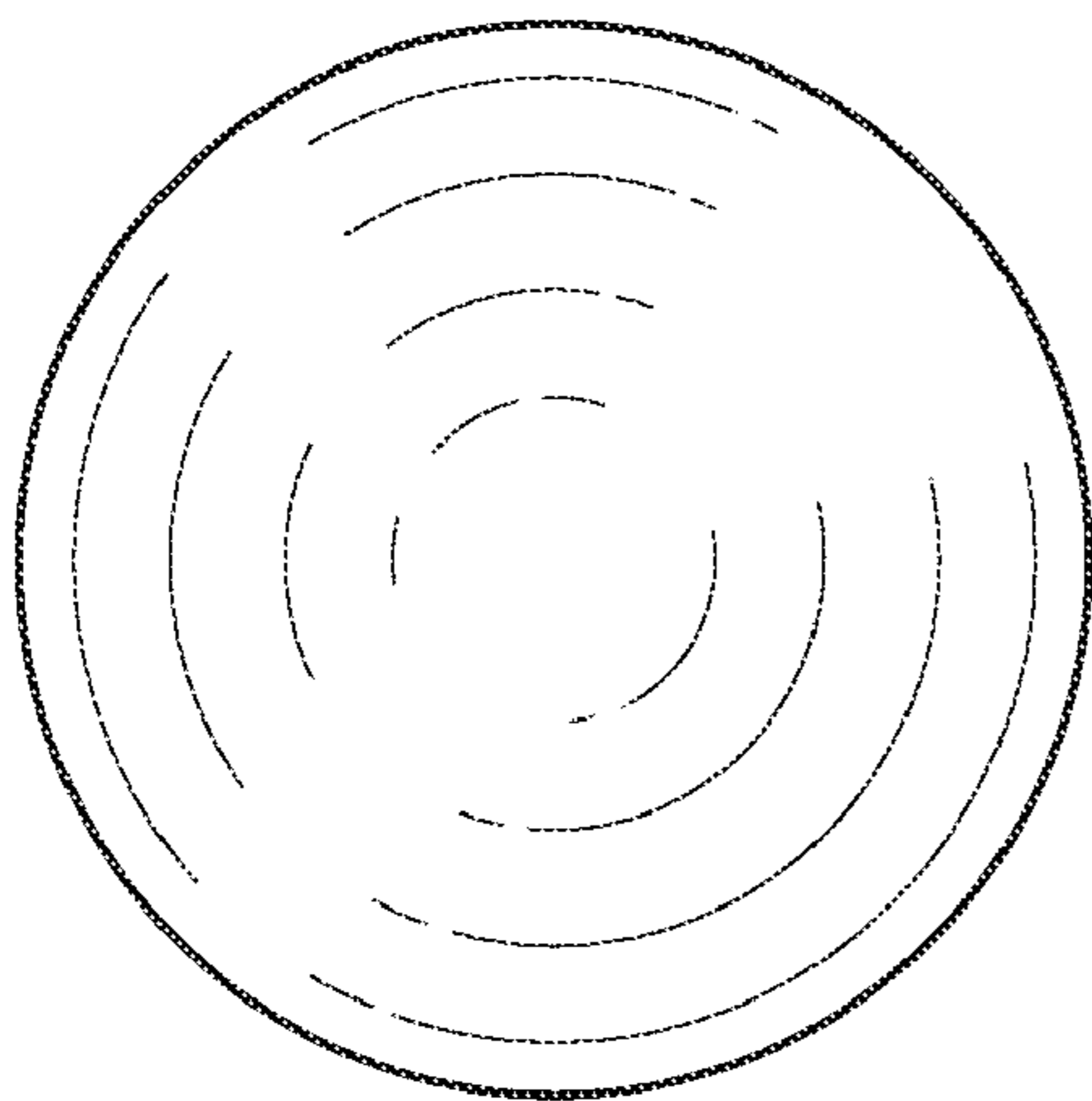


FIG. 6

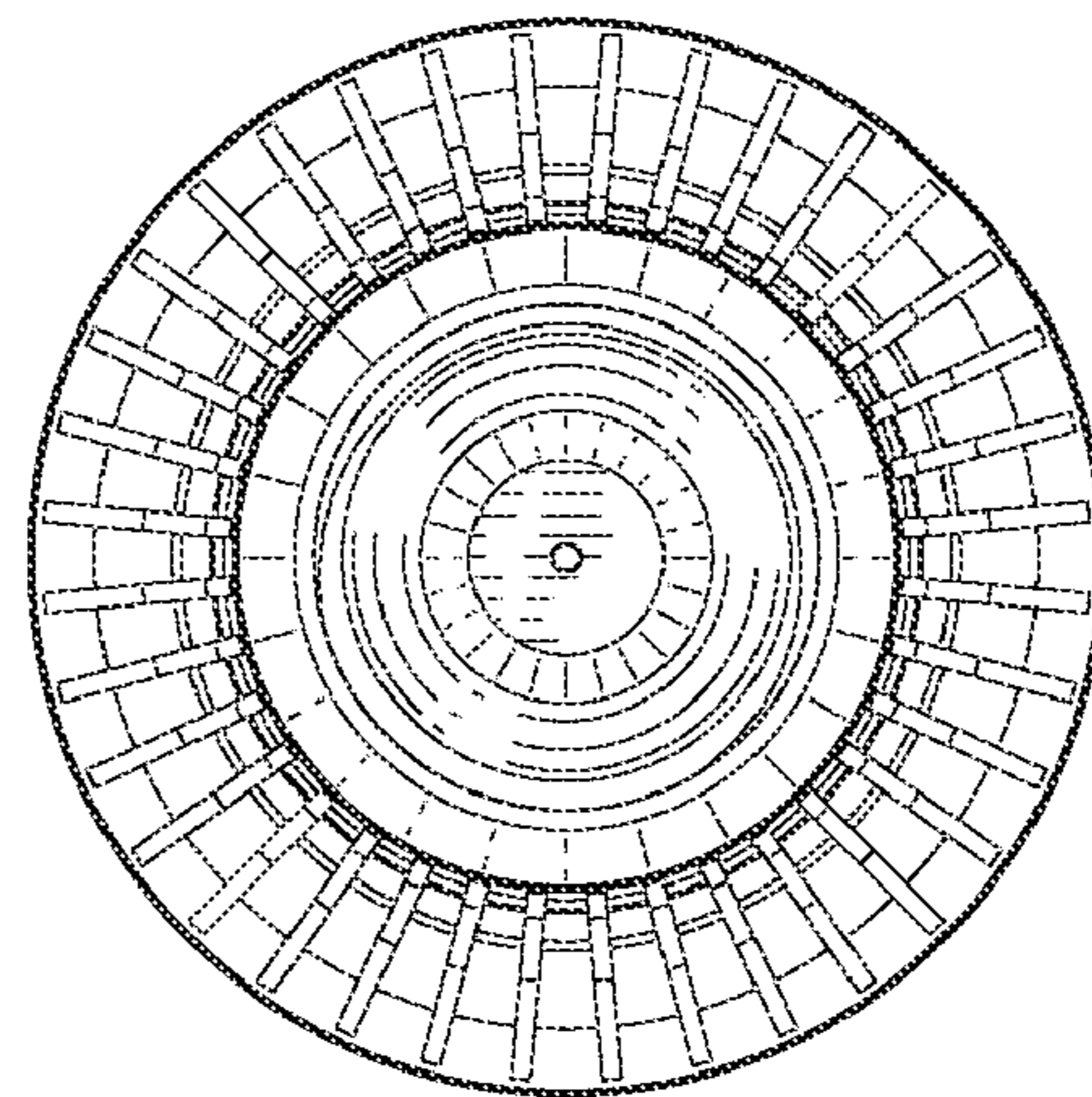


FIG. 7