



US00D581554S

(12) **United States Design Patent**
To et al.

(10) **Patent No.:** **US D581,554 S**
(45) **Date of Patent:** **** Nov. 25, 2008**

(54) **SOLID STATE LIGHTING SPOT**
(75) Inventors: **Ernest Kin Man To**, Hong Kong (HK);
Nan Zhao, Shanghai (CN)

D516,229 S * 2/2006 Tang D26/2
D527,119 S * 8/2006 Maxik et al. D26/2
D545,457 S * 6/2007 Chen D26/2
D551,784 S * 9/2007 Krieglmeier et al. D26/2

(73) Assignee: **Koninklijke Philips Electronics N.V.**,
Eindhoven (NL)

* cited by examiner

(**) Term: **14 Years**

Primary Examiner—Marcus A. Jackson

(21) Appl. No.: **29/306,852**

(57) **CLAIM**

(22) Filed: **Apr. 17, 2008**

The ornamental design for a solid state lighting spot, as shown.

(30) **Foreign Application Priority Data**

Oct. 19, 2007 (EM) 000812359-0002

DESCRIPTION

(51) **LOC (8) Cl.** **26-04**
(52) **U.S. Cl.** **D26/2**
(58) **Field of Classification Search** D26/1-4;
313/313, 315, 317, 318, 493; 315/52, 53,
315/56, 57, 58

FIG. 1 is a perspective view showing my design;
FIG. 2 is a front elevational view thereof;
FIG. 3 is a rear elevational view thereof;
FIG. 4 is a right side elevational view thereof;
FIG. 5 is a left side elevational view thereof;
FIG. 6 is a top plan view thereof; and,
FIG. 7 is a bottom plan view thereof.

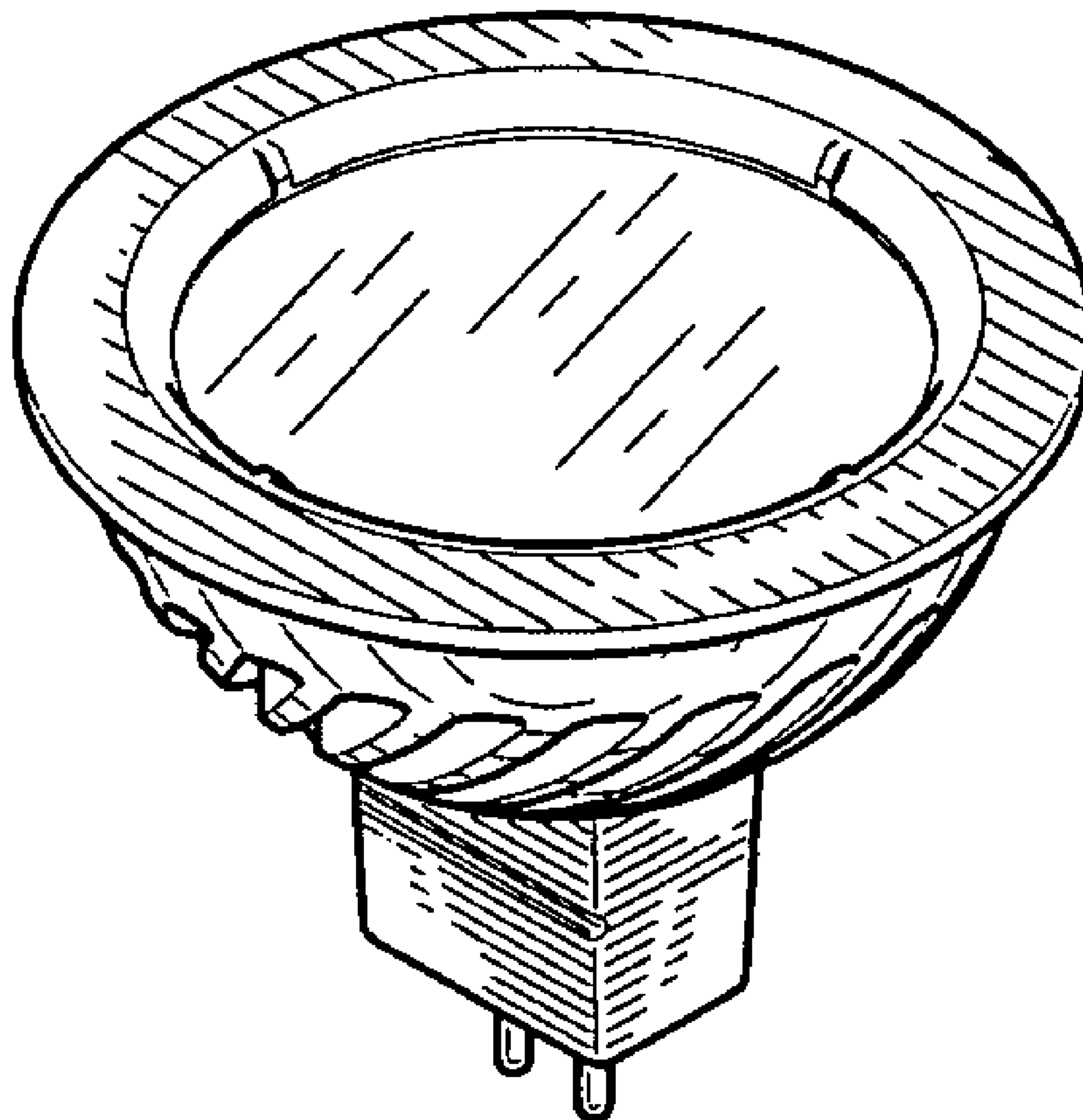
See application file for complete search history.

(56) **References Cited**

U.S. PATENT DOCUMENTS

D497,439 S * 10/2004 Shaw et al. D26/2

1 Claim, 2 Drawing Sheets



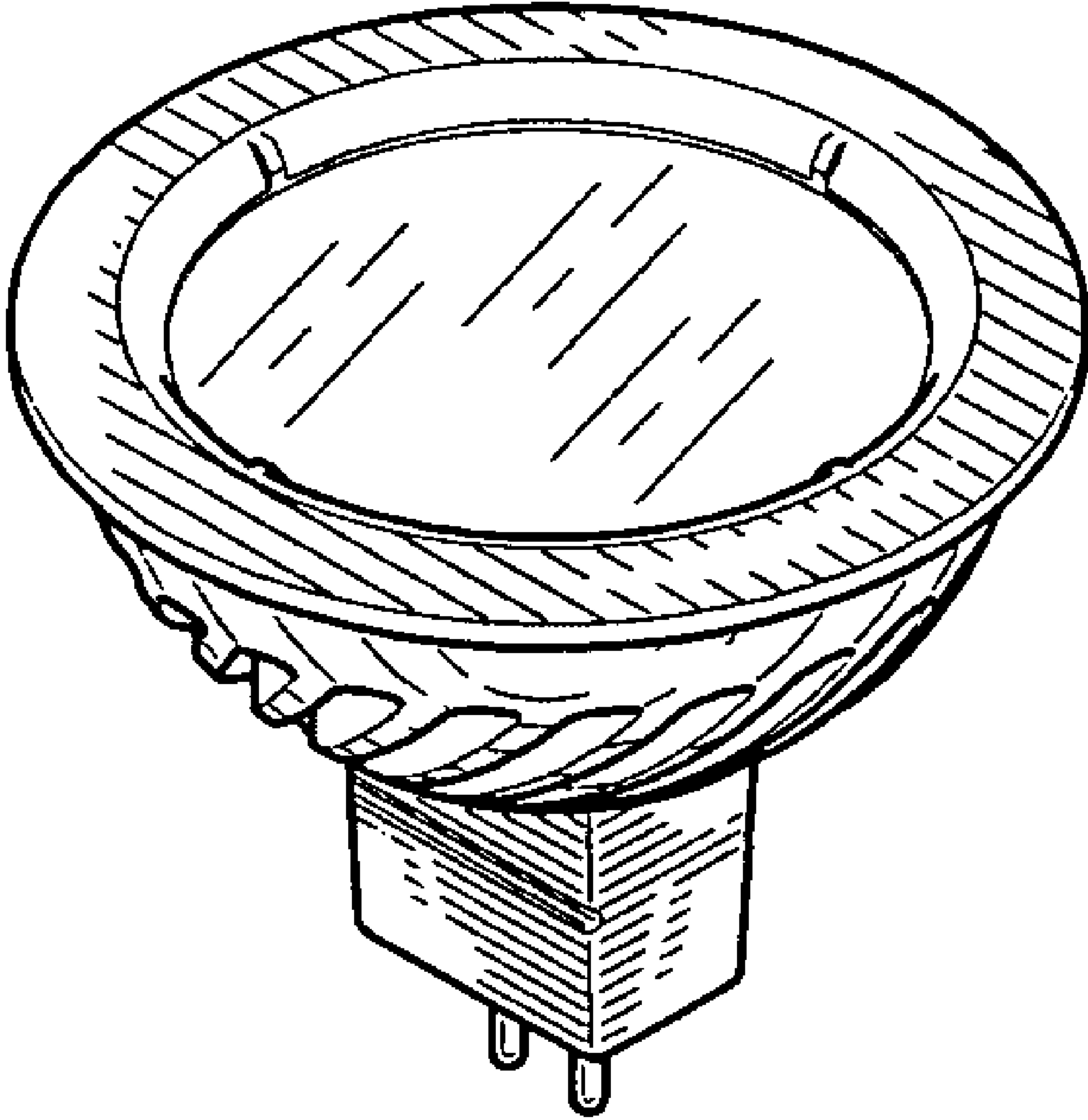


FIG. 1

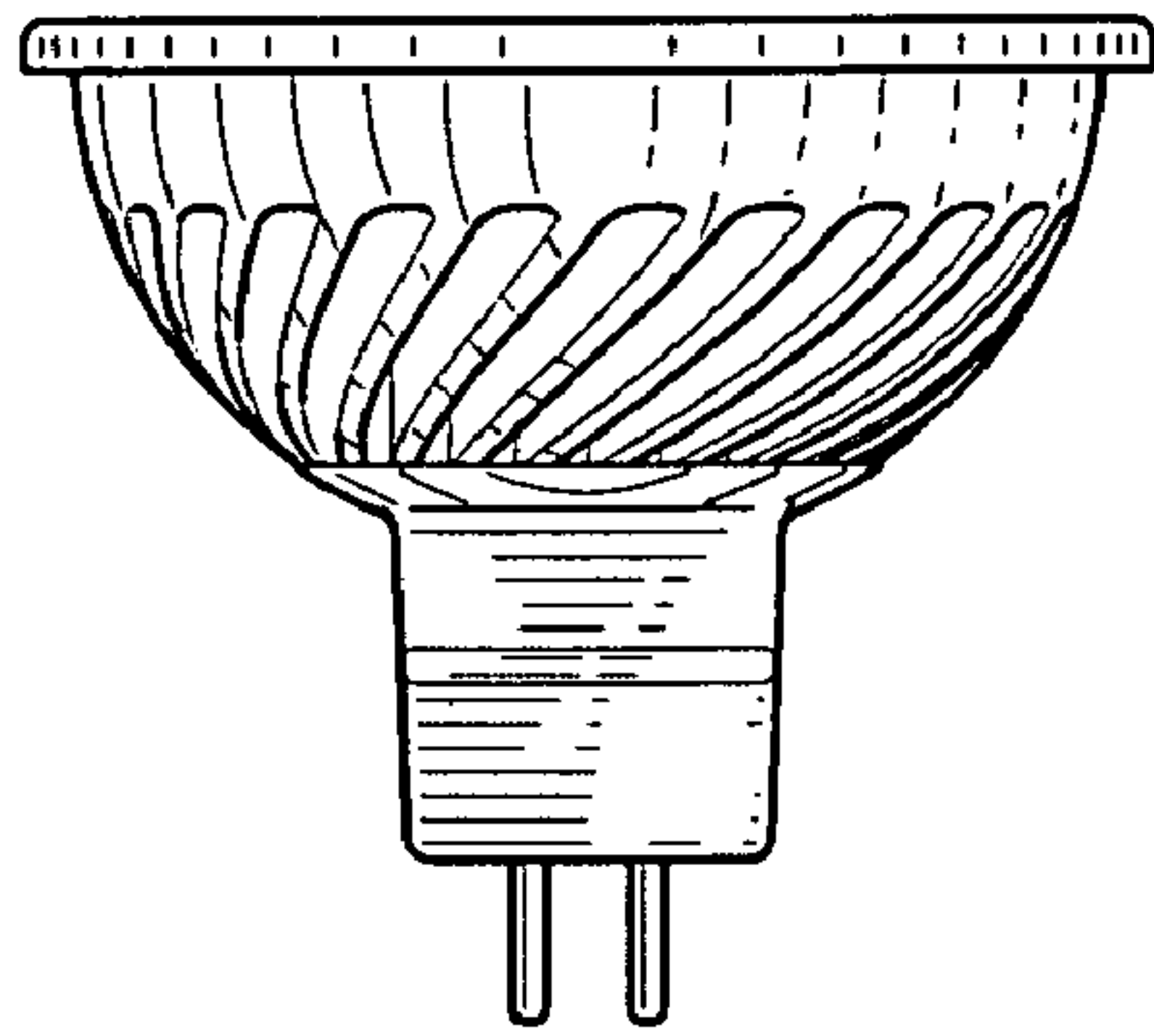


FIG. 2

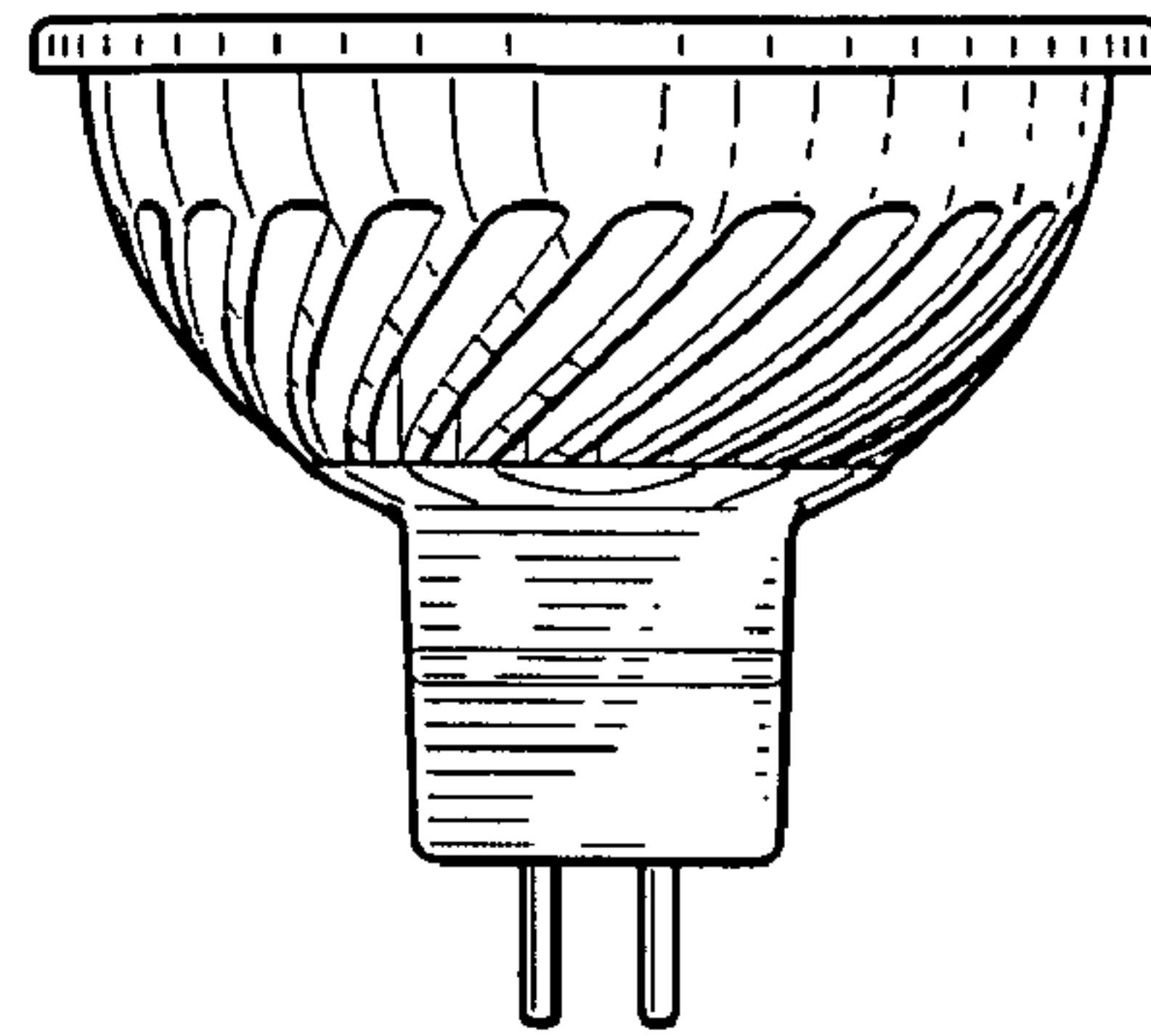


FIG. 3

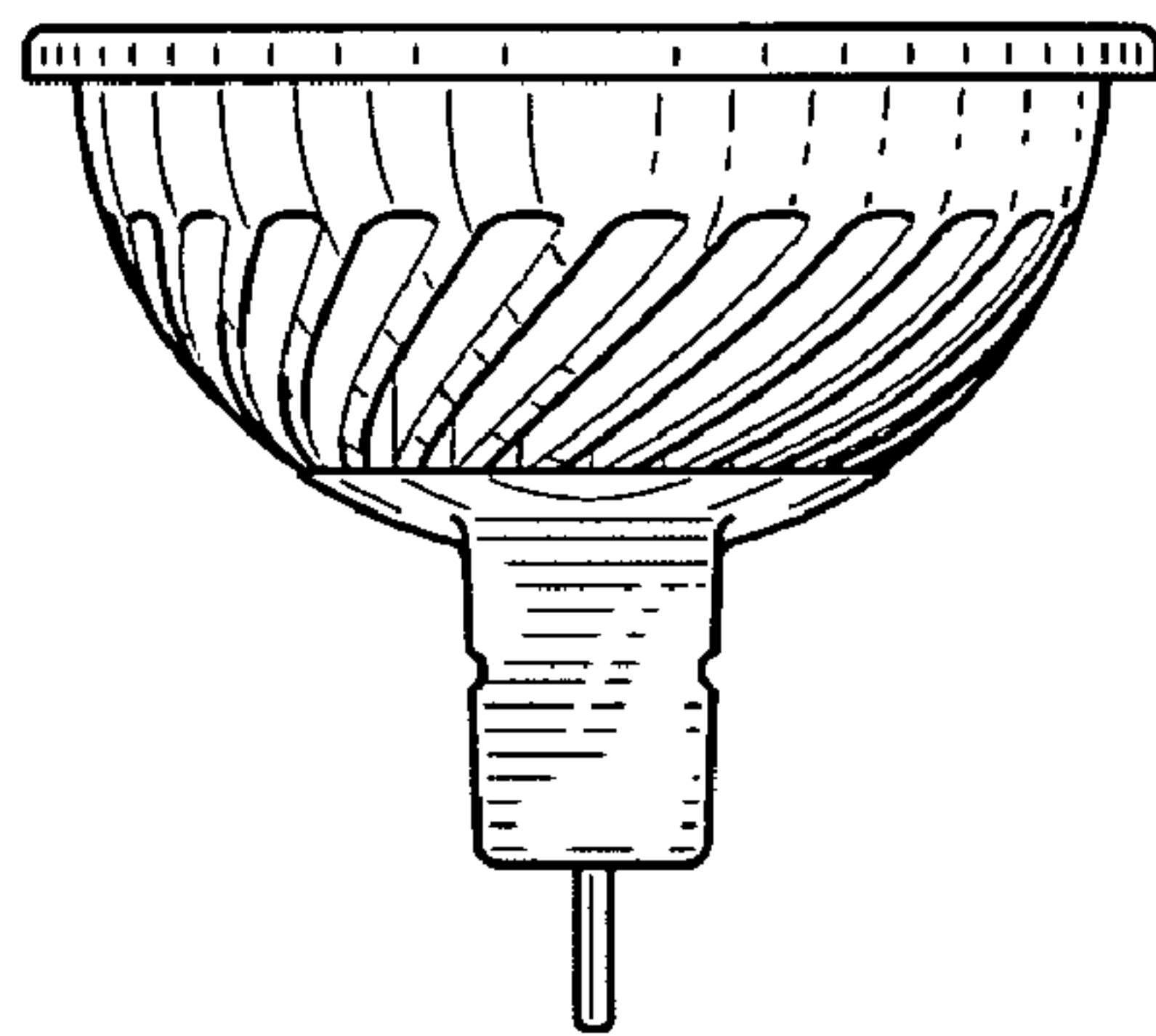


FIG. 4

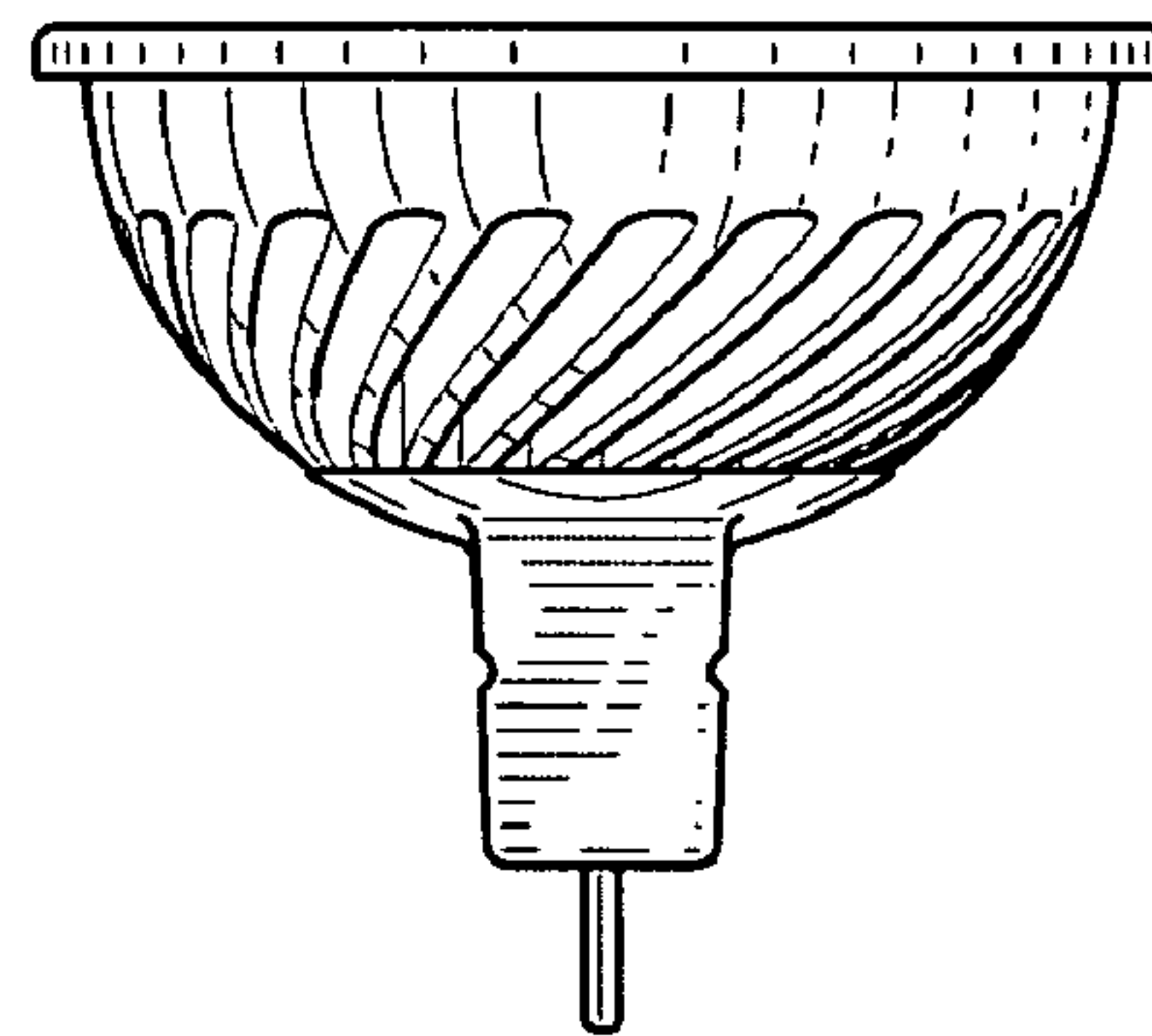


FIG. 5

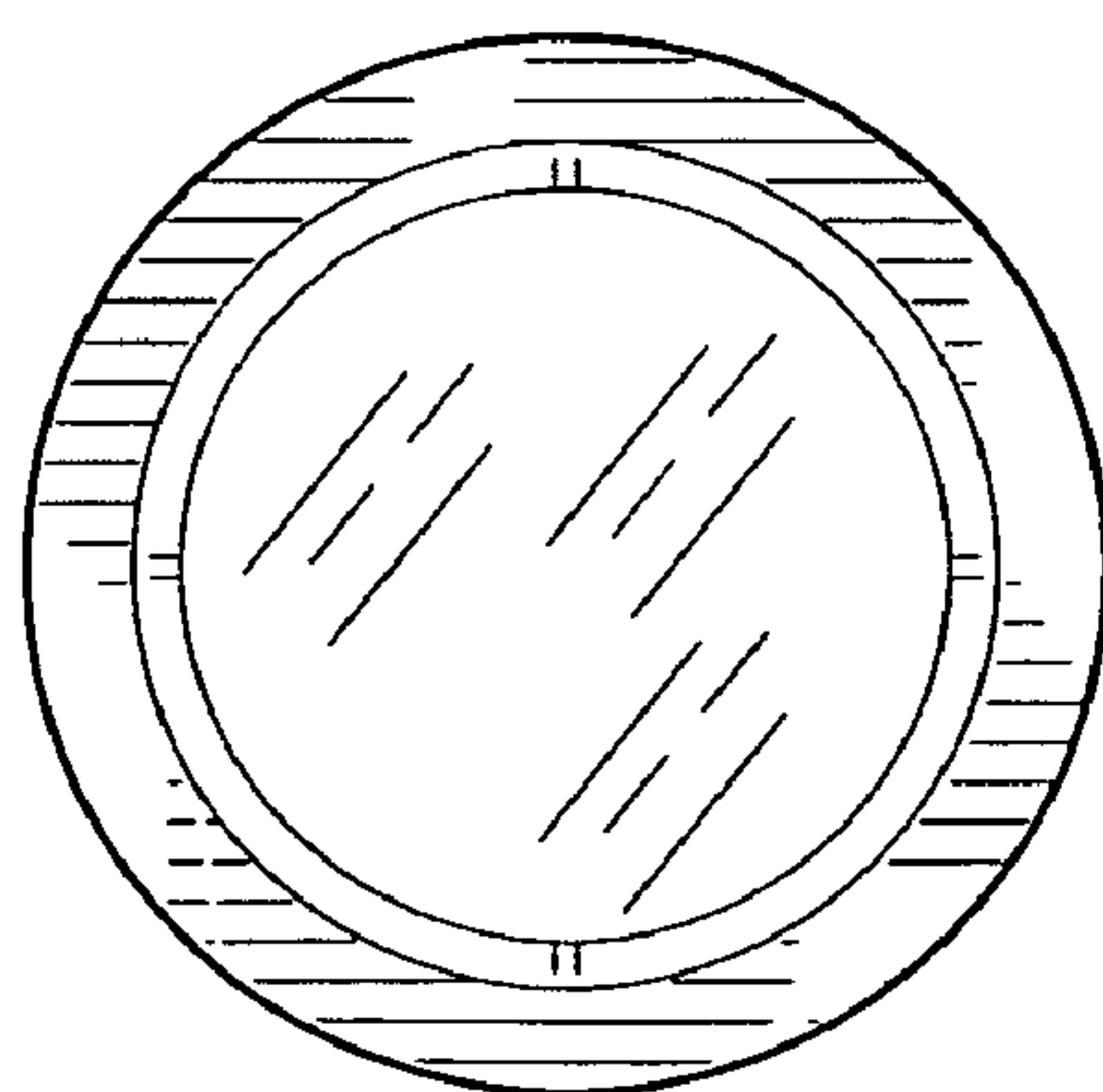


FIG. 6

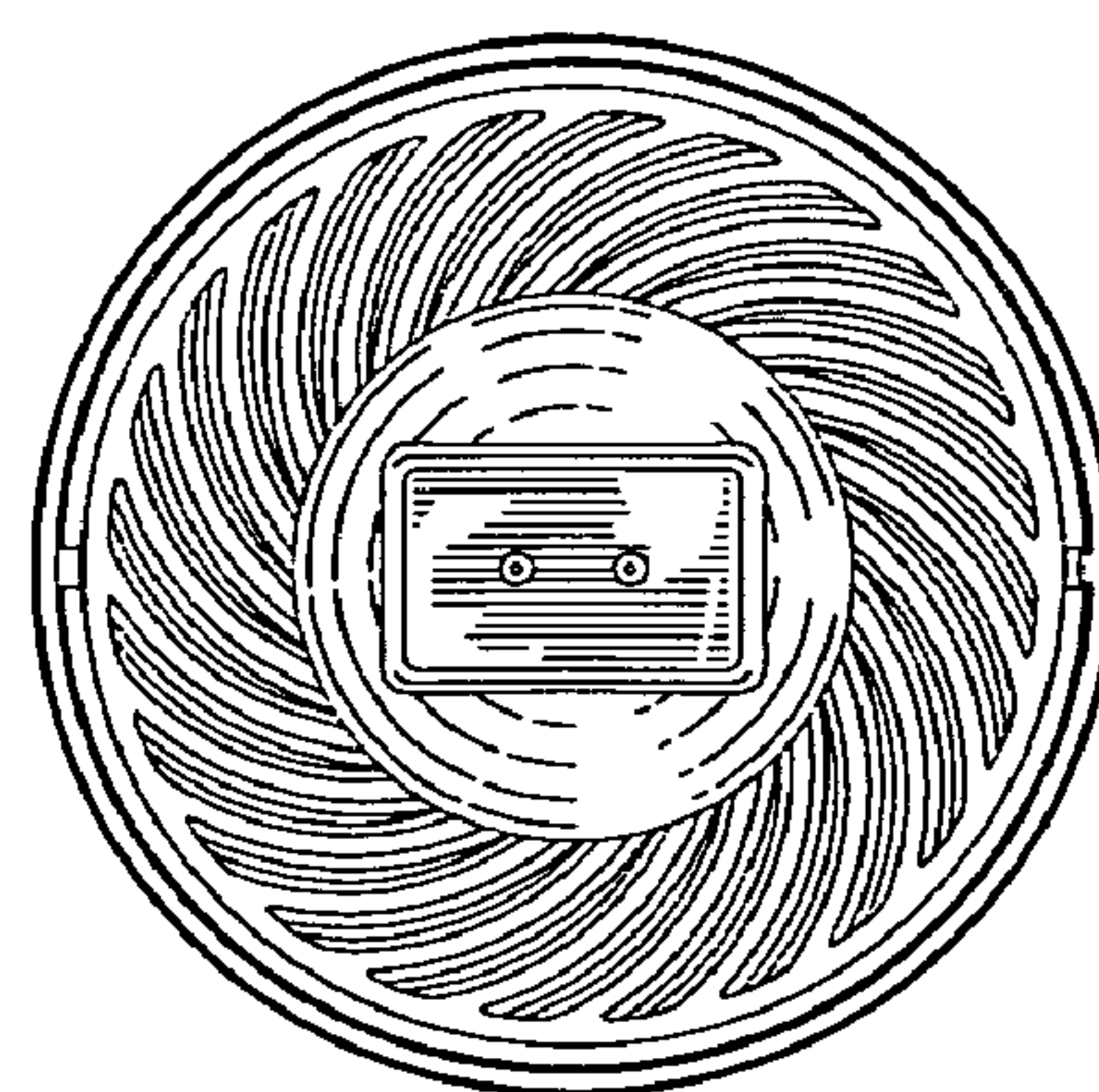


FIG. 7