



US00D581553S

(12) **United States Design Patent**
Cooper

(10) **Patent No.:** **US D581,553 S**
(45) **Date of Patent:** **** Nov. 25, 2008**

(54) **MODULAR FLOORING FLOOR TILE**

(75) Inventor: **Lee Cooper**, 19 Eversfield Road,
Reigate, Surrey (GB) RH2 0PL

(73) Assignee: **Lee Cooper**, Reigate, Surrey (GB)

(**) Term: **14 Years**

(21) Appl. No.: **29/297,002**

(22) Filed: **Nov. 1, 2007**

(30) **Foreign Application Priority Data**

Jan. 5, 2007 (EM) 0007178300001

(51) **LOC (8) Cl.** **25-01**

(52) **U.S. Cl.** **D25/163**

(58) **Field of Classification Search** D25/153,
D25/156, 157, 158, 163; 52/314, 316, 312,
52/362, 364, 384, 385, 386, 387, 388, 389,
52/477, 574, 578, 596, 236.6, 177, 179; 428/33,
428/47, 48, 51, 49, 50, 45

See application file for complete search history.

(56) **References Cited**

U.S. PATENT DOCUMENTS

D230,581 S * 3/1974 Garrett D5/53
5,190,799 A 3/1993 Ellingson, III
5,509,244 A * 4/1996 Bentzon 52/387
5,616,389 A 4/1997 Blatz
D385,978 S * 11/1997 Berger D25/163
5,833,386 A 11/1998 Rosan et al.
5,907,934 A * 6/1999 Austin 52/177
D456,533 S * 4/2002 Moller, Jr. D25/163
6,505,444 B1 * 1/2003 Johnson 52/177
6,526,705 B1 * 3/2003 MacDonald 52/177
D493,897 S * 8/2004 Campacci D25/163
6,802,159 B1 10/2004 Kotler
D532,122 S * 11/2006 Shuman et al. D25/163
2002/0031646 A1 3/2002 Chen et al.
2002/0170259 A1 11/2002 Ferris

FOREIGN PATENT DOCUMENTS

DE 29706847 8/1997

FR 2034348 12/1970
FR 2866908 9/2005
GB 1265625 3/1972
GB 2307260 5/1997
GB 2435056 8/2007
WO WO92/20885 11/1992
WO WO00/68617 11/2000
WO WO2007/091015 8/2007

OTHER PUBLICATIONS

Tempotile - Interlocking Modular Flooring Tiles, Article from www.eventdeck.com - Signature [Fencing & Flooring] Systems, LLC, pp. 1-2, known as of Jan. 12, 2007.

All About Rola-Trac, article from www.rola-trac.co.uk - Rola-Trac Limited, pp. 1-2, known as of Jan. 12, 2007.

EventDeck, www.eventdeck.com - Signature Flooring, LLC, pp. 1-20, known as of Jan. 12, 2007.

Flooring System (Figs. 24-29), publically disclosed Jan. - Apr. 2007, pp. 1-3.

* cited by examiner

Primary Examiner—Doris Clark

(74) *Attorney, Agent, or Firm*—Jack B. Hicks; Womble Carlyle Sandridge & Rice PLLC

(57) **CLAIM**

The ornamental design for a modular flooring floor tile, as shown and described.

DESCRIPTION

FIG. 1 is a left front perspective view of a modular flooring floor tile showing my new design;

FIG. 2 is a right and rear perspective view thereof;

FIG. 3 is a bottom perspective view thereof;

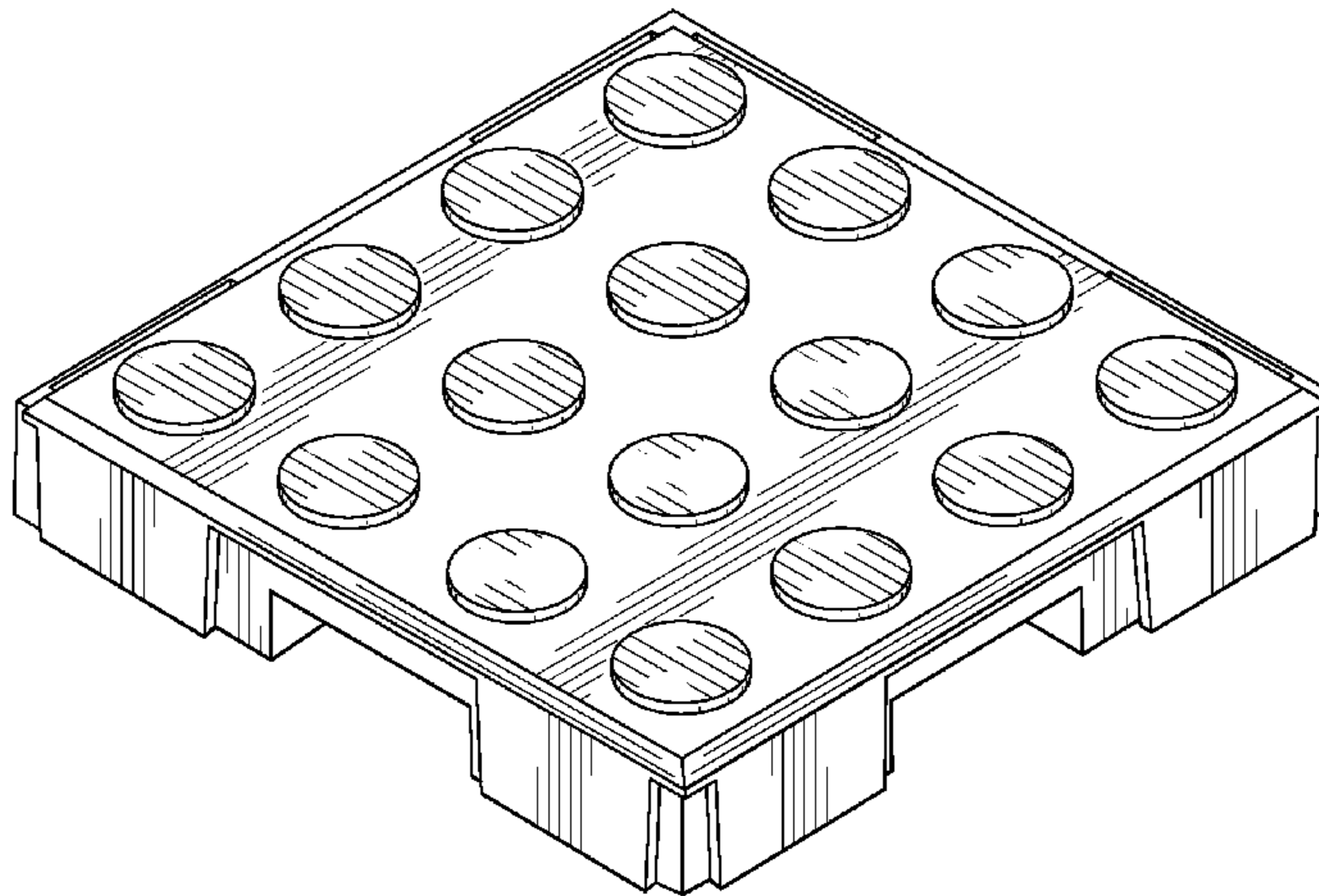
FIG. 4 is a top plan view thereof;

FIG. 5 is a bottom plan view thereof;

FIG. 6 is a right side elevation view thereof; and,

FIG. 7 is a left side elevation view thereof.

1 Claim, 7 Drawing Sheets



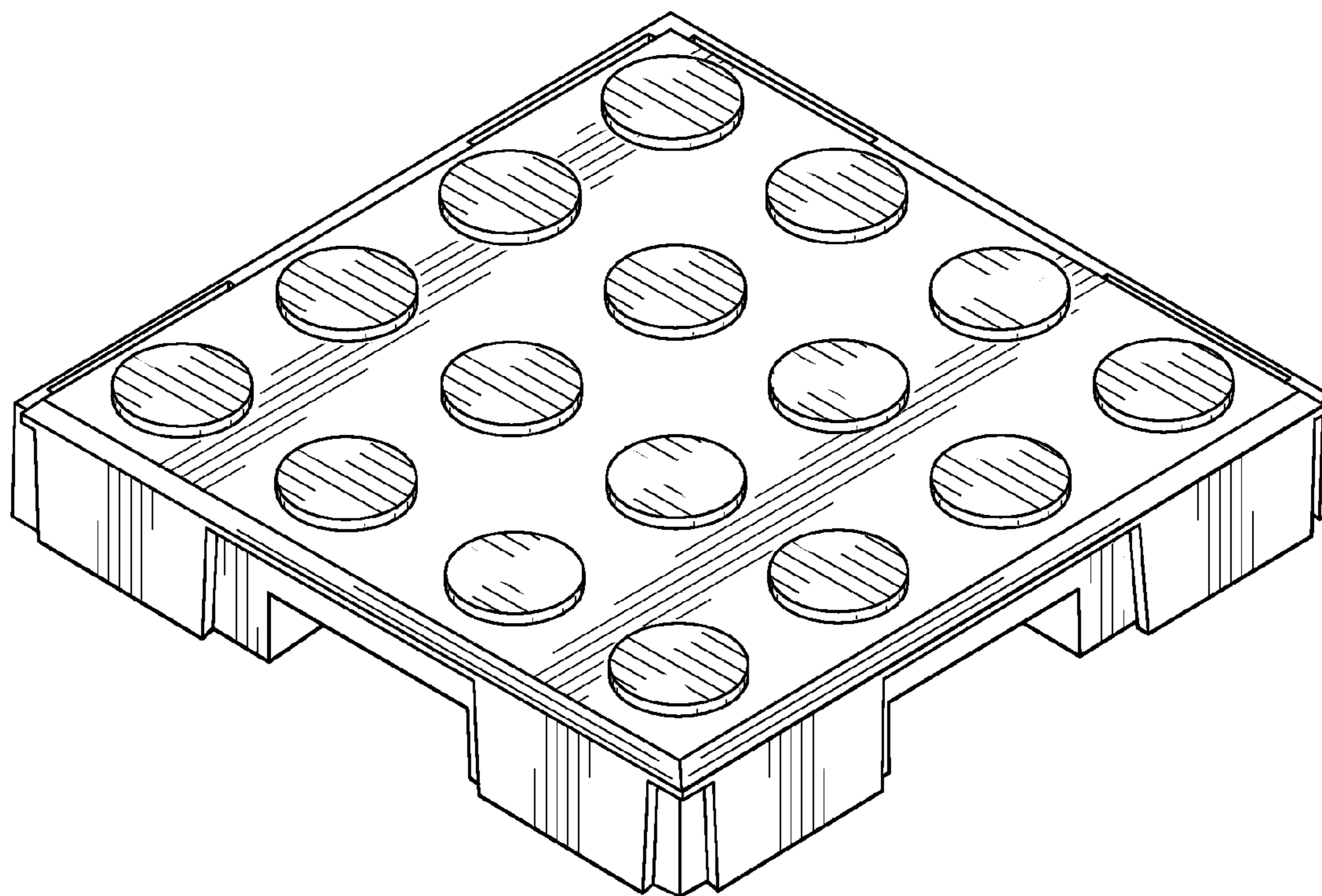


FIG. 1

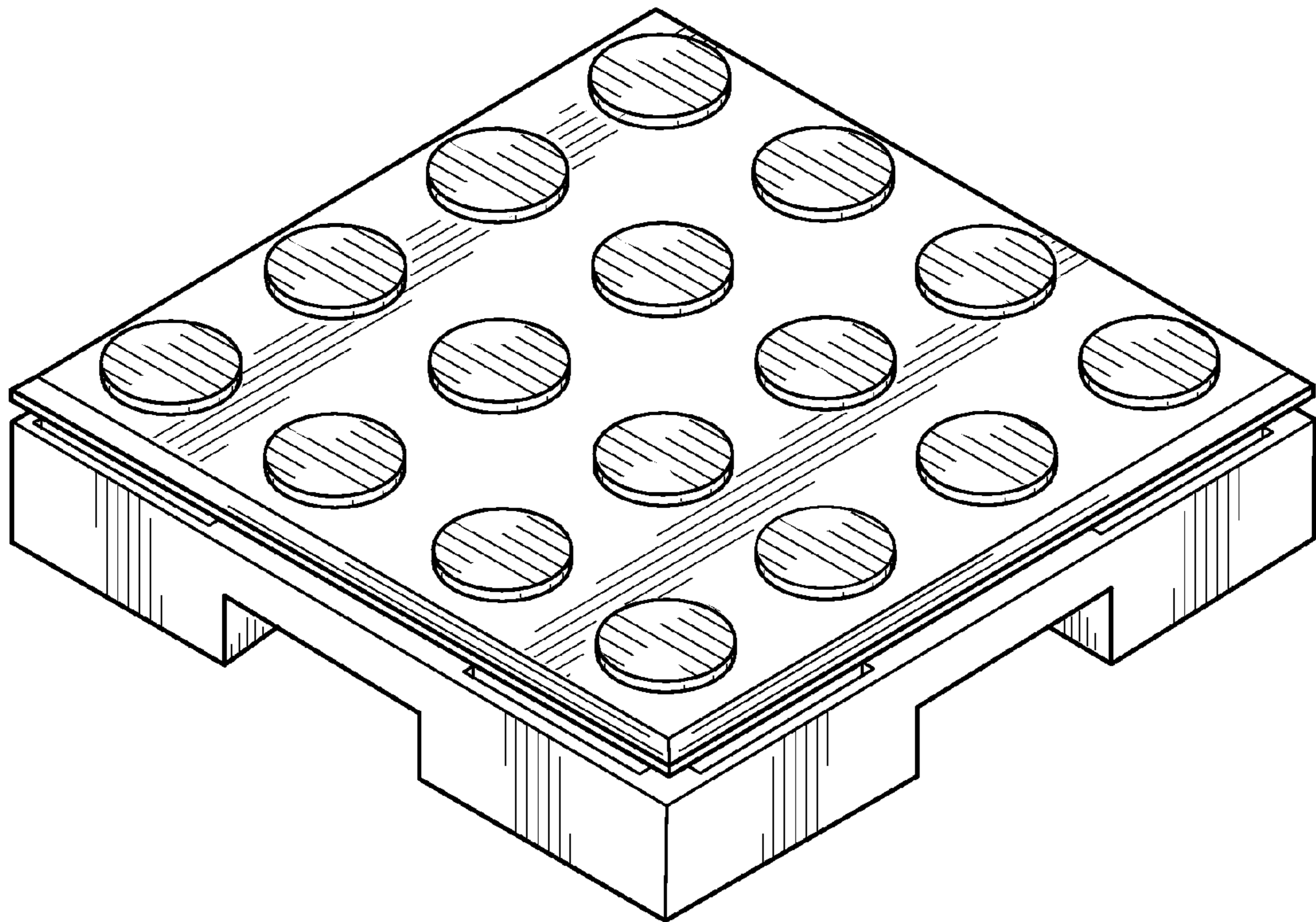


FIG. 2

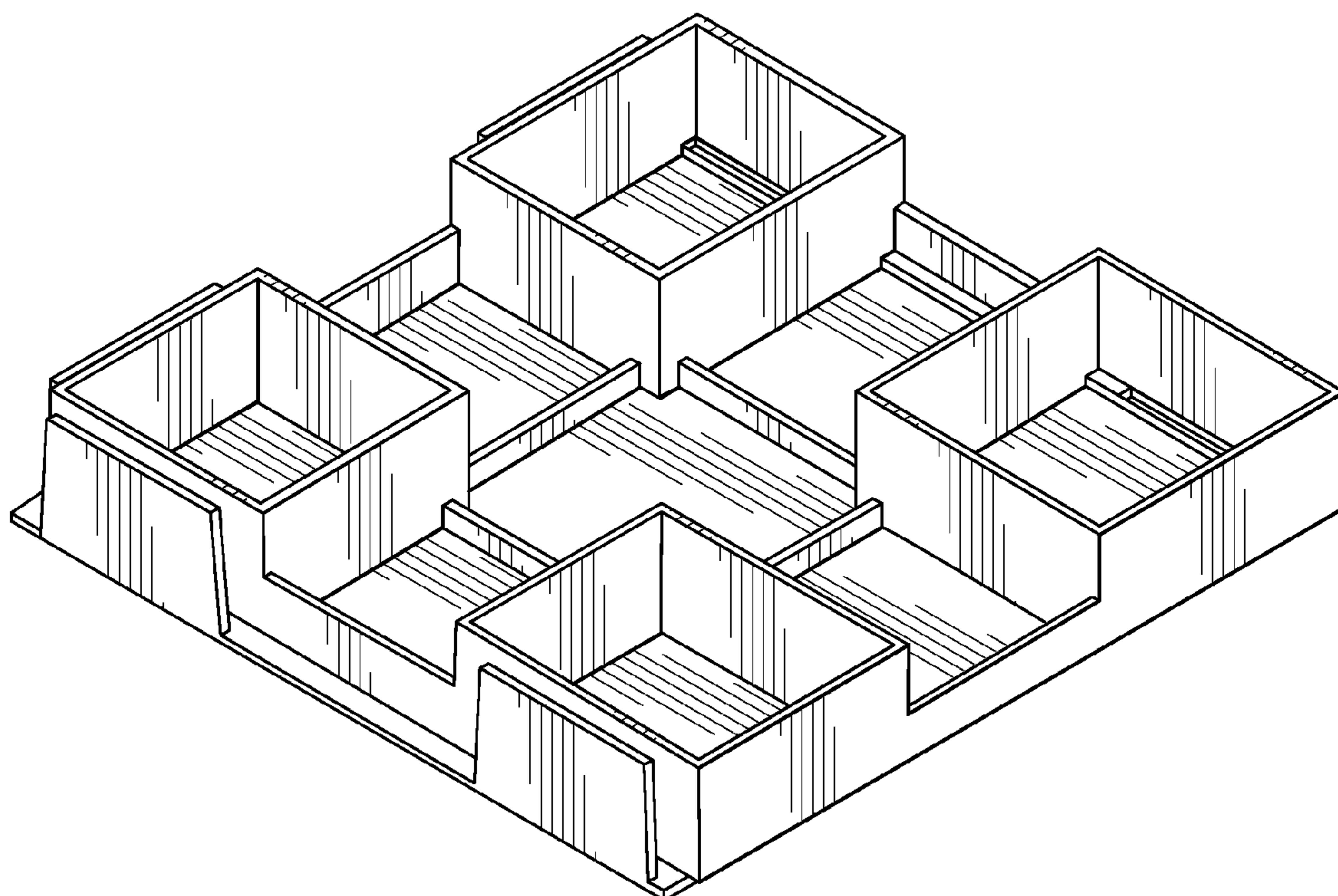


FIG. 3

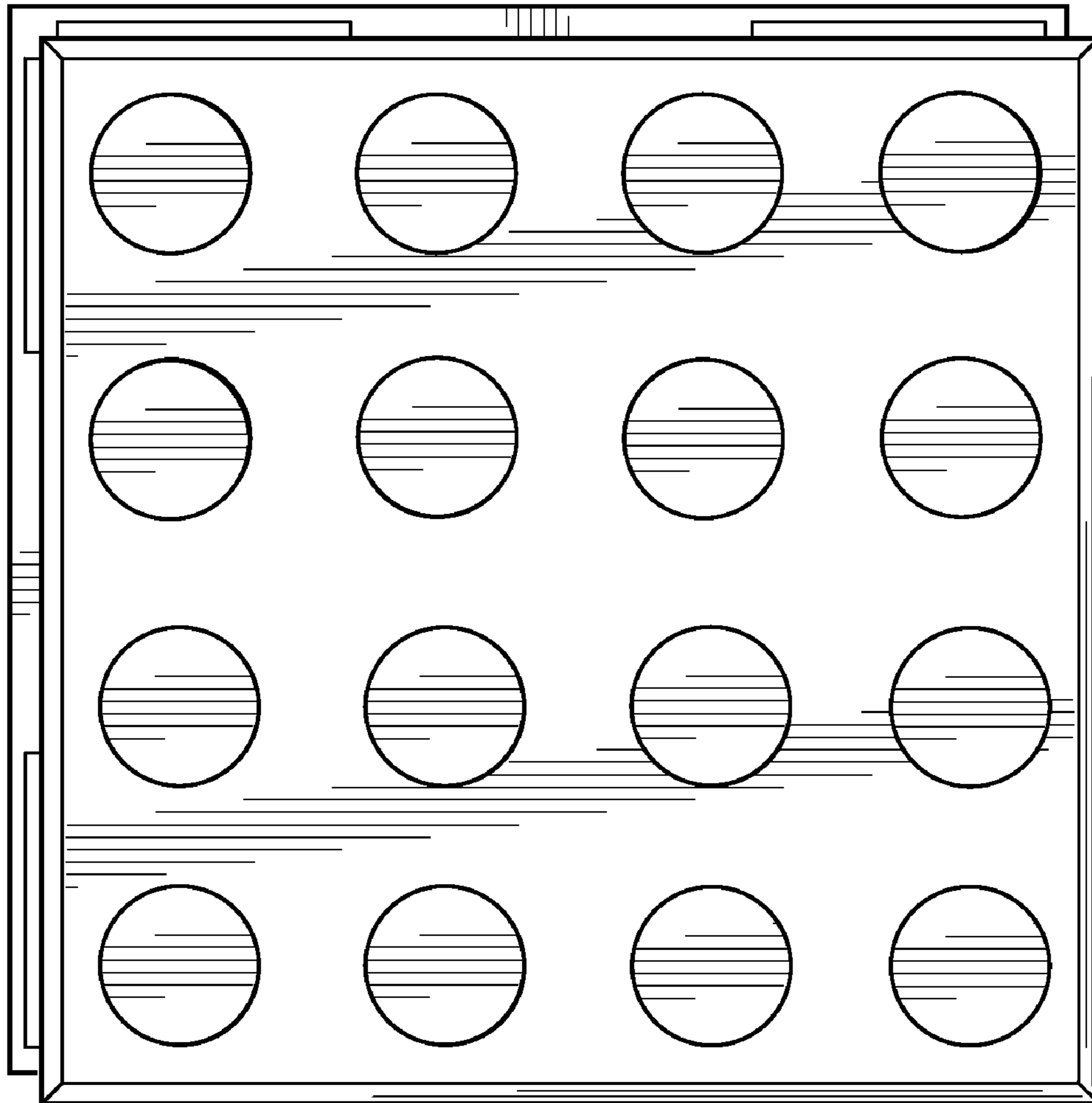


FIG. 4

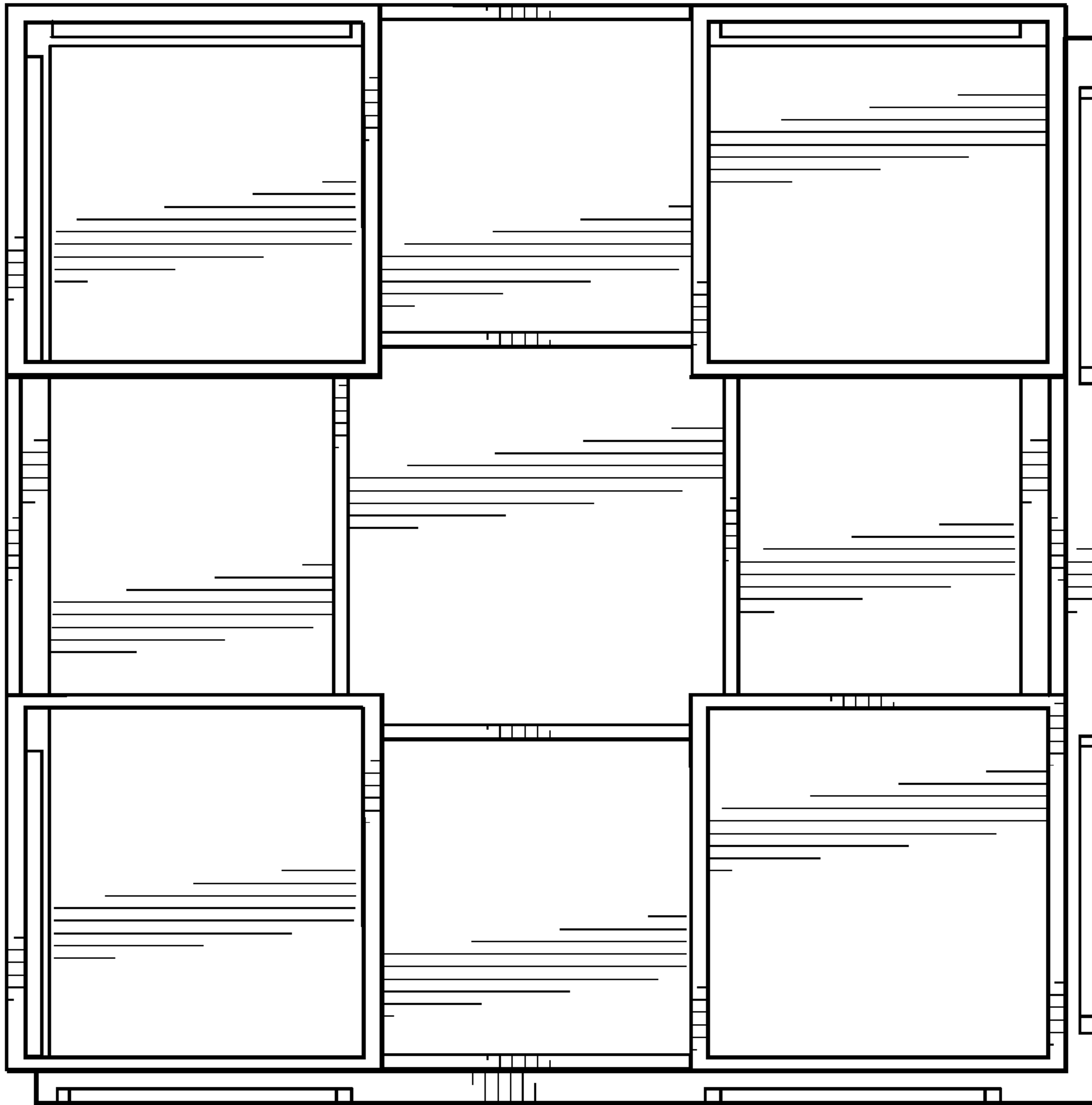


FIG. 5

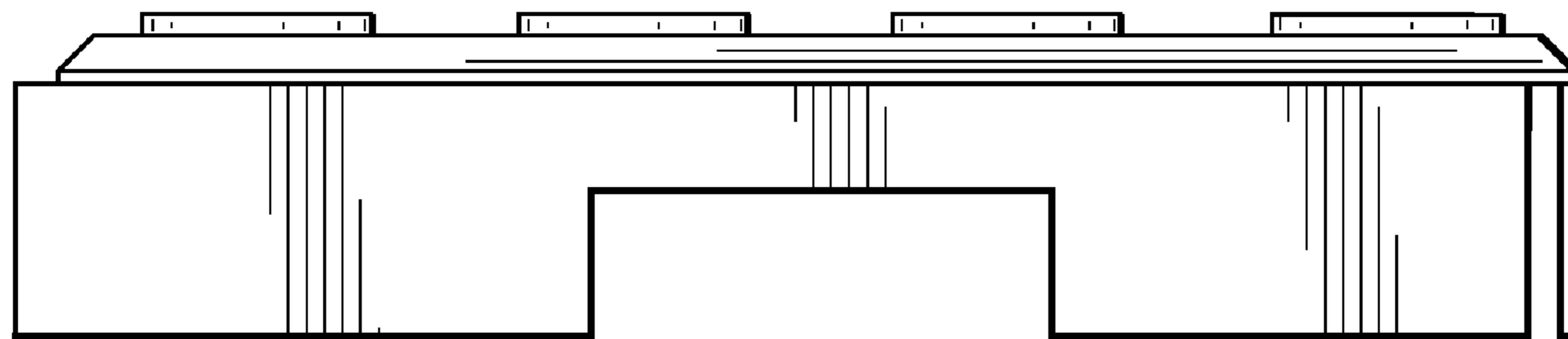


FIG. 6

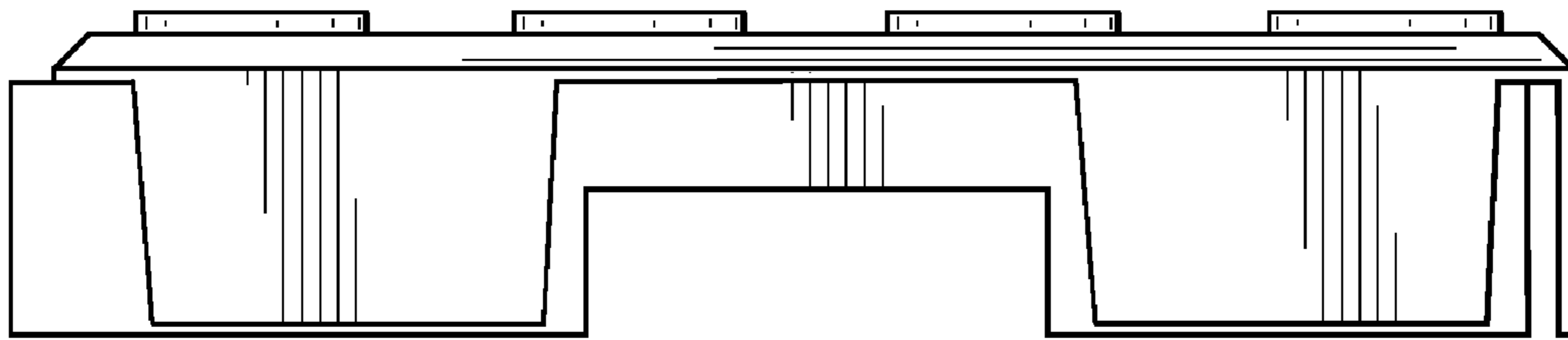


FIG. 7