



US00D581550S

(12) **United States Design Patent**  
**Brandt et al.**

(10) **Patent No.:** **US D581,550 S**

(45) **Date of Patent:** **\*\* Nov. 25, 2008**

(54) **STONE CUSHIONING BLOCK**

(75) Inventors: **Barry D. Brandt**, Effingham, IL (US);  
**Troy L. Higgs**, Effingham, IL (US);  
**Brett A. Higgs**, Dieterich, IL (US)

(73) Assignee: **Stone Pro Equipment Company**,  
Effingham, IL (US)

(\*\*) Term: **14 Years**

(21) Appl. No.: **29/282,812**

(22) Filed: **Jul. 30, 2007**

(51) **LOC (8) Cl.** ..... **25-01**

(52) **U.S. Cl.** ..... **D25/113**

(58) **Field of Classification Search** ..... D25/102,  
D25/112-118, 119, 164, 199; 405/16, 284,  
405/286; 52/102, 574, 596-612; D21/484-486,  
D21/490, 491, 493

See application file for complete search history.

(56) **References Cited**

**U.S. PATENT DOCUMENTS**

D47,290 S *	5/1915	Goldsmith	.....	D25/116
D241,634 S *	9/1976	Nickerson	.....	D25/113
D299,069 S *	12/1988	Risi et al.	.....	D25/113
D300,863 S *	4/1989	McNeely	.....	D25/113
D340,293 S *	10/1993	Risi et al.	.....	D25/113
D362,311 S *	9/1995	Cataldo	.....	D25/113

D424,714 S *	5/2000	Hale	.....	D25/164
D484,620 S *	12/2003	He	.....	D25/199
D516,228 S *	2/2006	Dunbar	.....	D25/113
D548,368 S *	8/2007	Hale et al.	.....	D25/164

\* cited by examiner

*Primary Examiner*—Louis S Zarfaz

*Assistant Examiner*—Anhdao Doan

(74) *Attorney, Agent, or Firm*—Grace J. Fishel

(57) **CLAIM**

The ornamental design for a stone cushioning block, as shown and described.

**DESCRIPTION**

FIG. 1 is a perspective view of a stone cushioning block showing our new design;

FIG. 2 top view thereof;

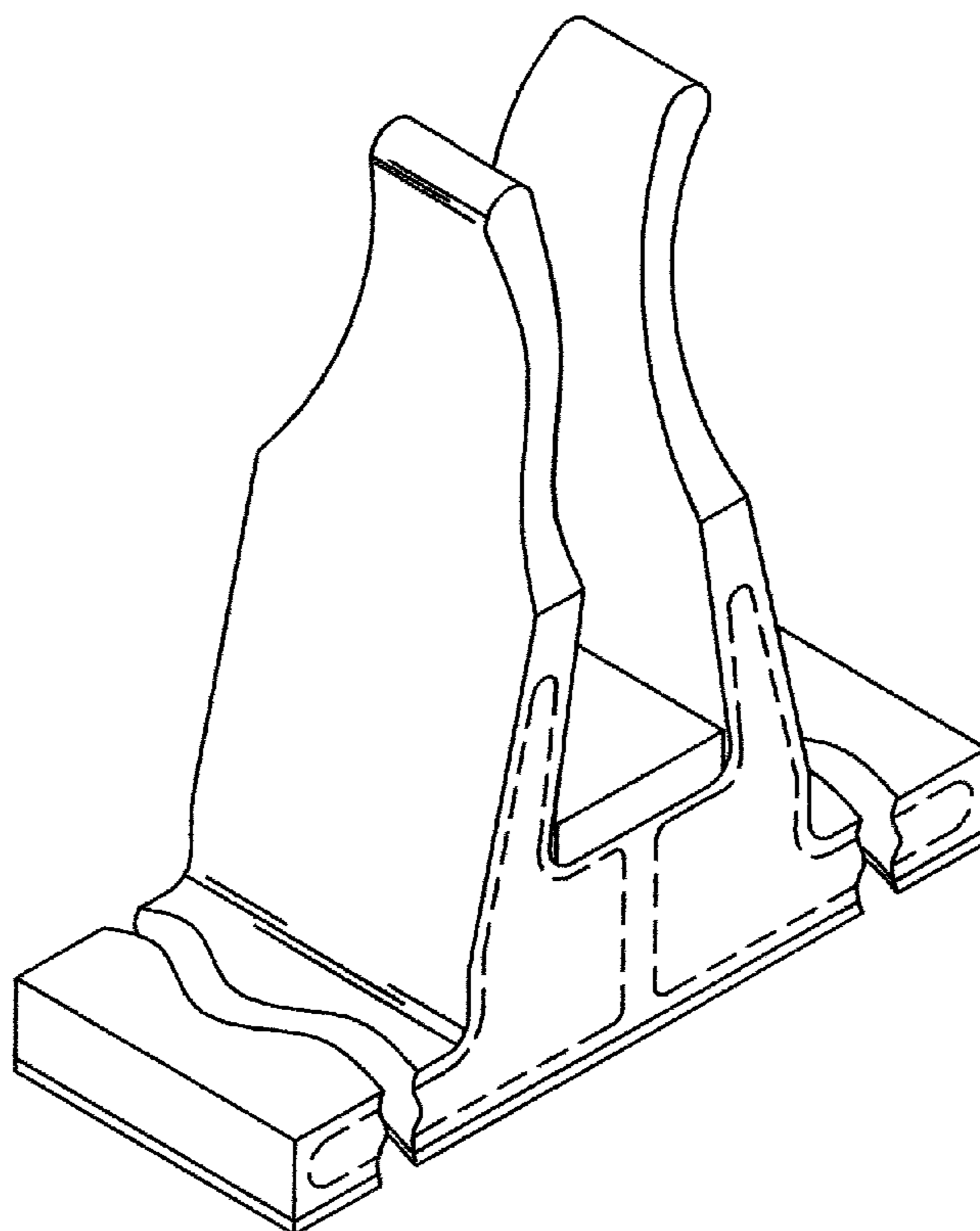
FIG. 3 is a front end view thereof, the rear end being a mirror image;

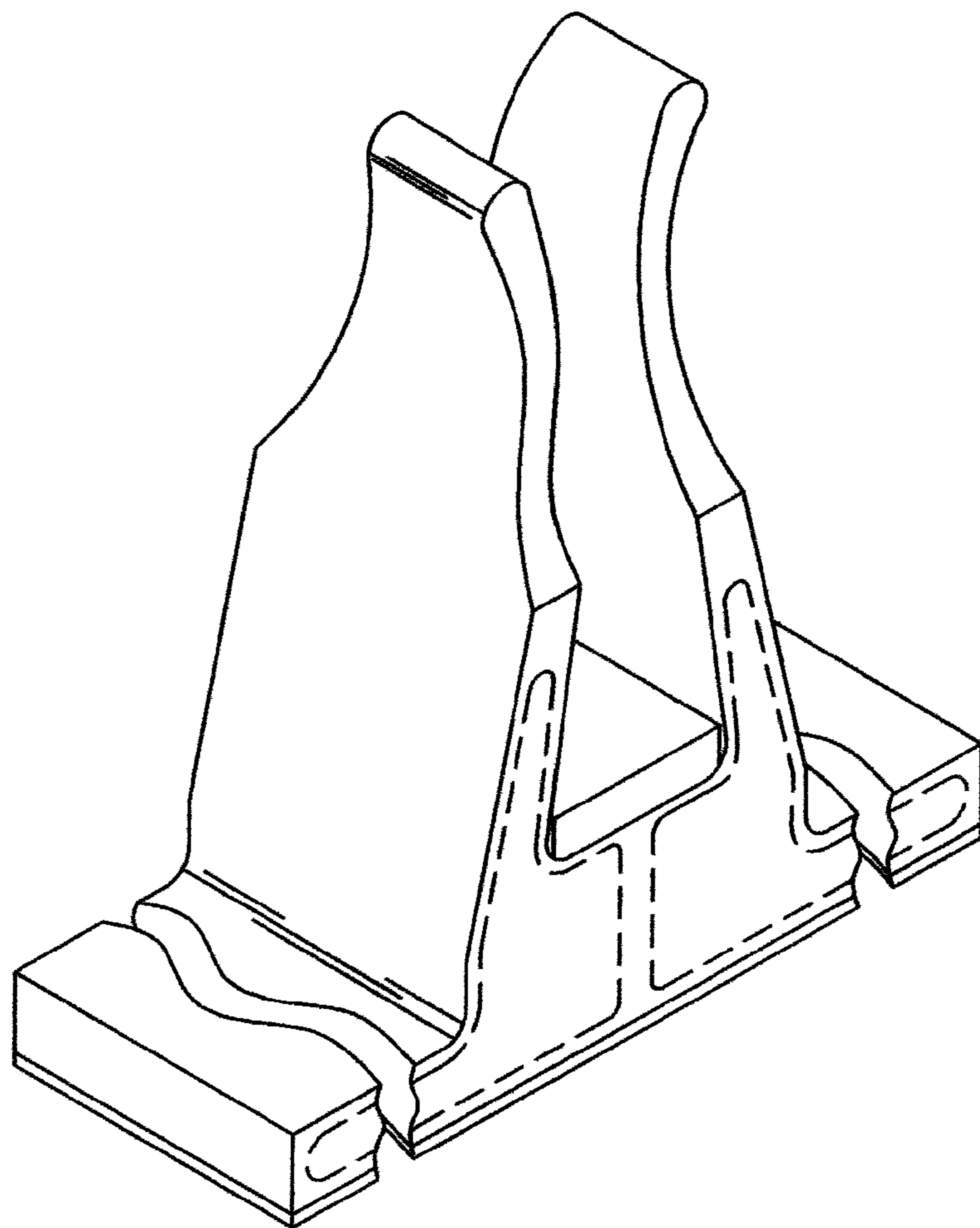
FIG. 4 is a right side view thereof, the left side being a mirror image; and,

FIG. 5 is a bottom view thereof.

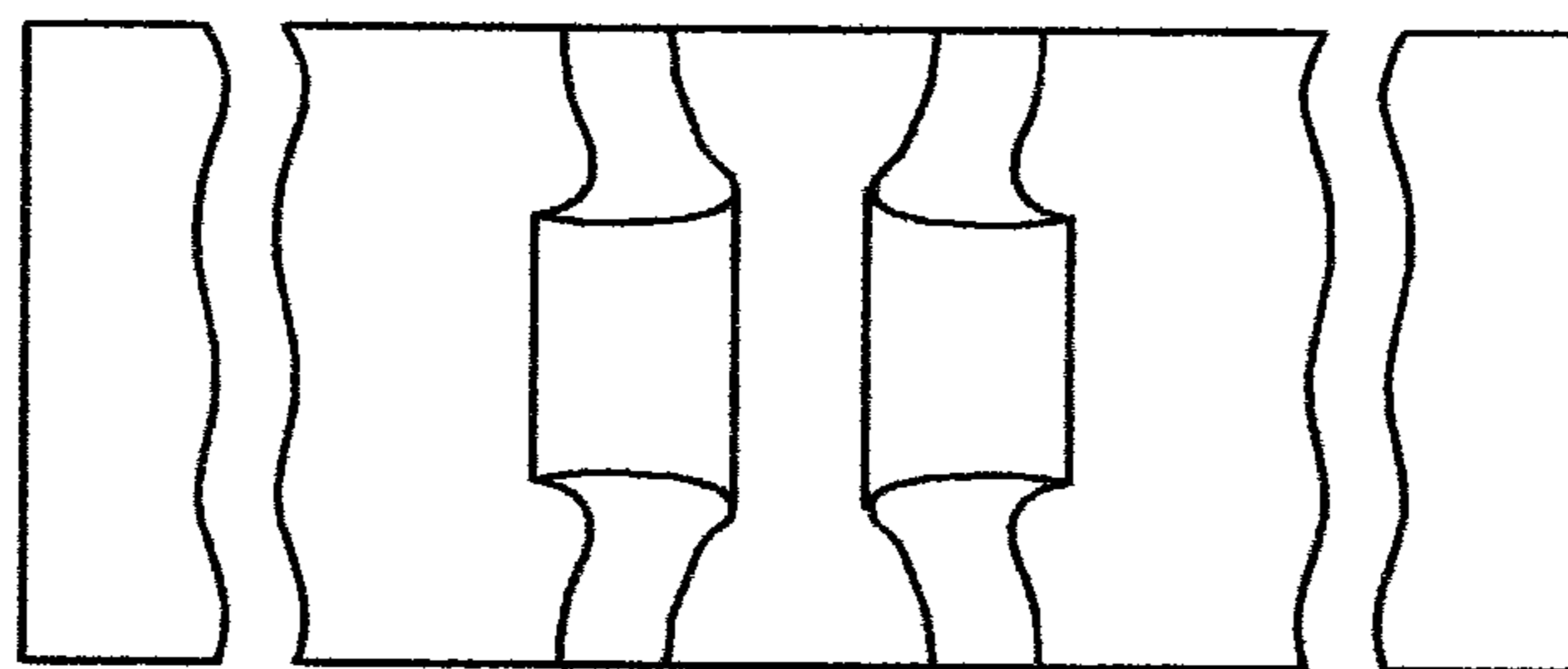
The broken line showing of the recesses in FIGS. 1 and 3 represents environmental subject matter and forms no part of the claimed design. The block is shown broken-away in FIGS. 1, 2, 3 and 5 to show no particular length.

**1 Claim, 2 Drawing Sheets**

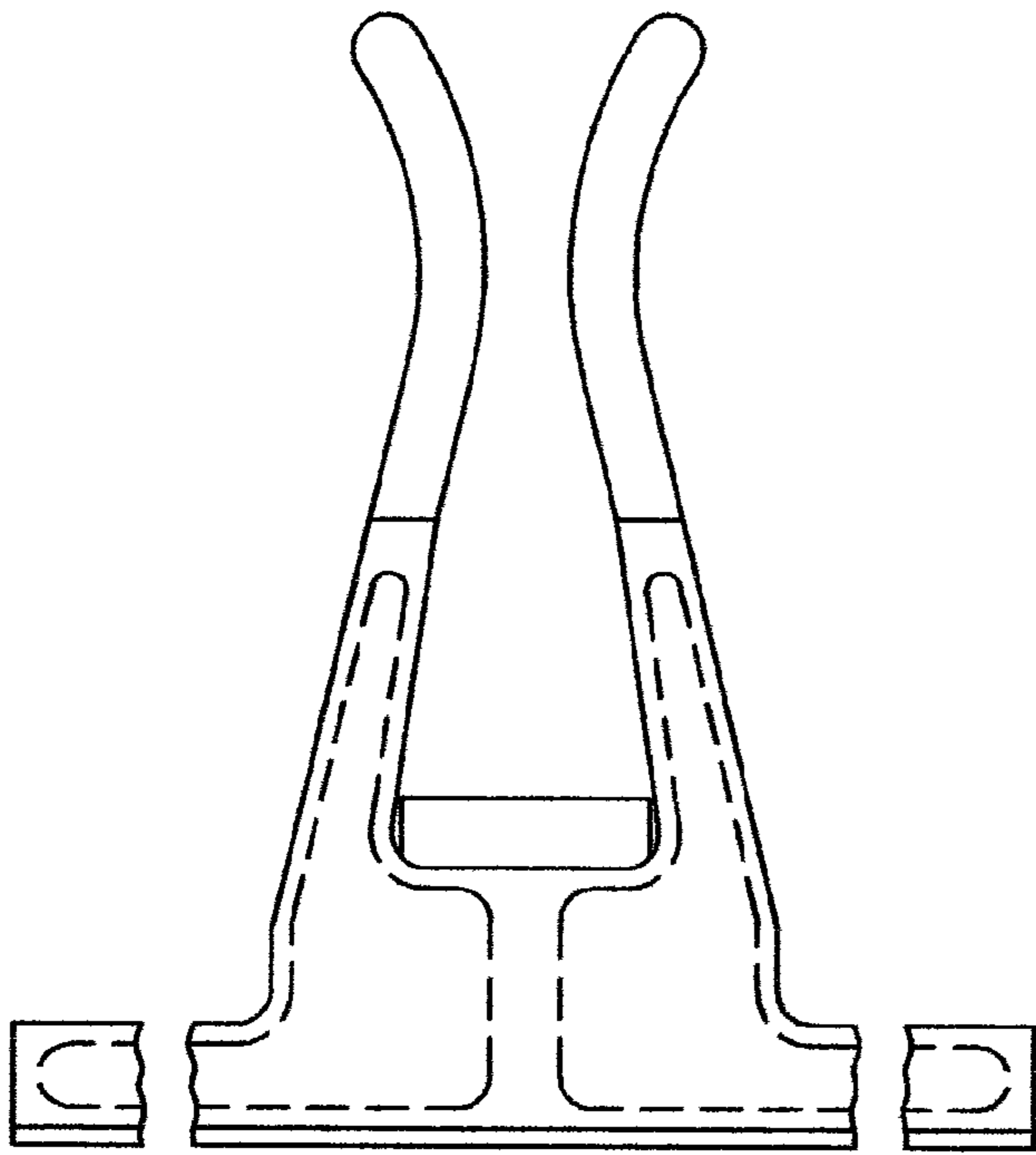




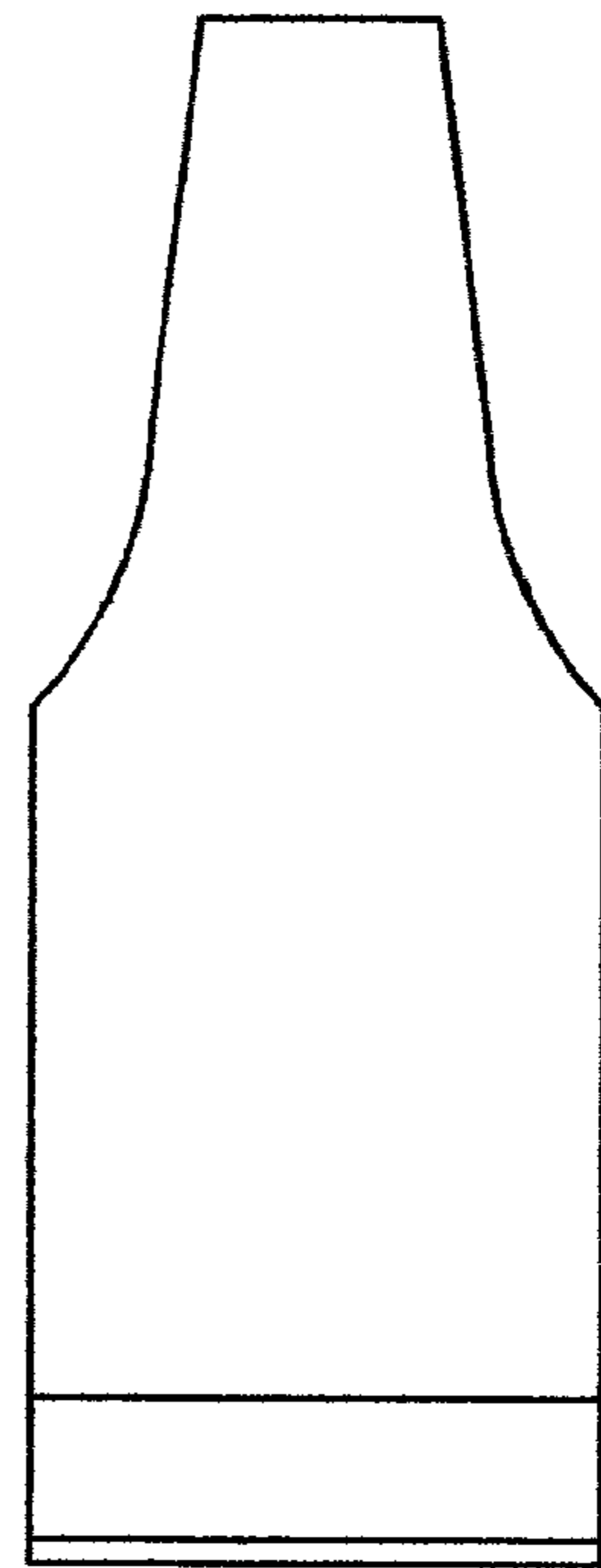
*Fig. 1*



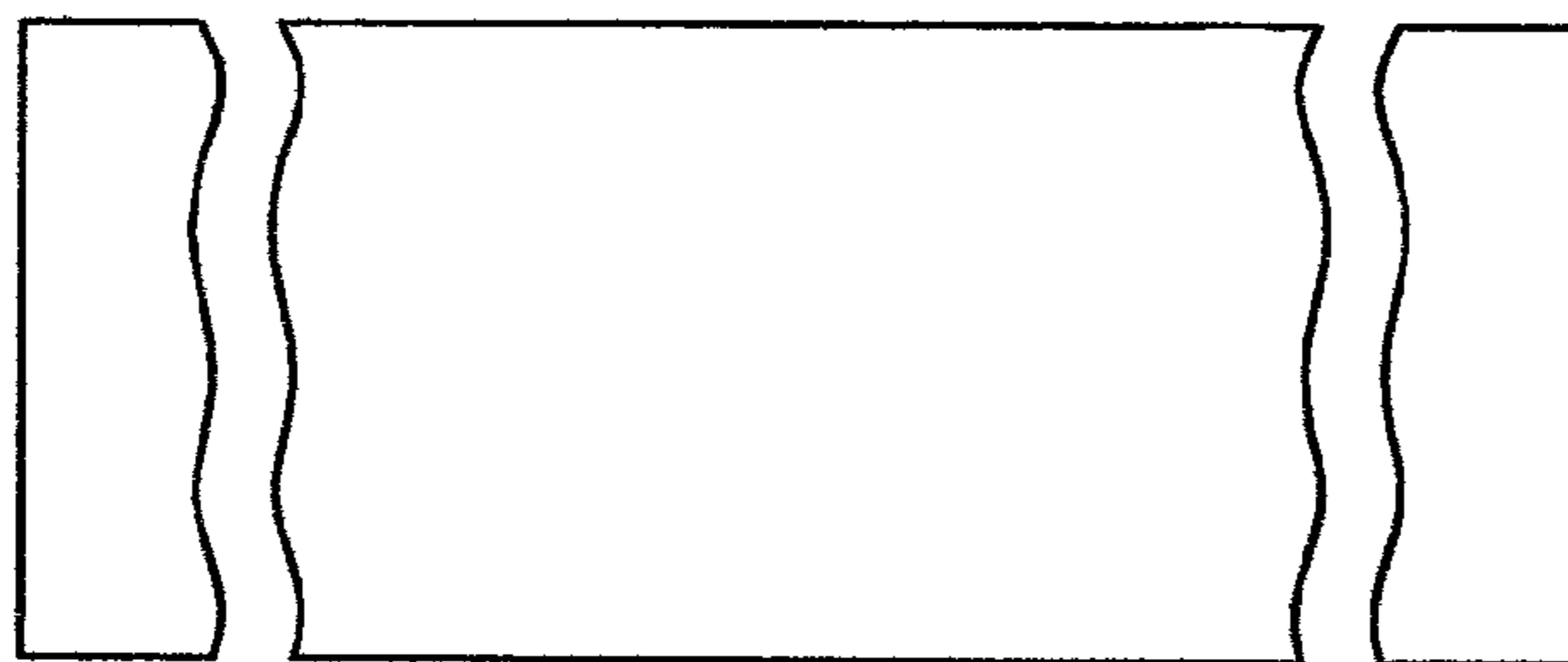
*Fig. 2*



*Fig. 3*



*Fig. 4*



*Fig. 5*