



US00D581549S

(12) **United States Design Patent**
Thorkelson

(10) **Patent No.:** **US D581,549 S**
(45) **Date of Patent:** **** Nov. 25, 2008**

(54) **PAVER SYSTEM**

5,816,738 A 10/1998 Harnapp
5,957,619 A 9/1999 Kinoshita et al.

(75) Inventor: **Steven Thorkelson**, Minnetonka, MN
(US)

(Continued)

(73) Assignee: **Vast Enterprises LLC**, Minneapolis,
MN (US)

FOREIGN PATENT DOCUMENTS

WO WO 2005/035216 A1 4/2005

(**) Term: **14 Years**

OTHER PUBLICATIONS

(21) Appl. No.: **29/281,259**

<http://uni-groupusa.org/uni-eco.htm>, Uni Eco Stone, Uni-Group U.S.A., Manufacturers of UNI® Paving Stones, Mar. 6, 2006, 2 pgs.

(22) Filed: **Jun. 19, 2007**

Primary Examiner—Joel Sincavage
Assistant Examiner—Anhdao Doan
(74) *Attorney, Agent, or Firm*—Dorsey & Whitney LLP

Related U.S. Application Data

(63) Continuation of application No. 11/435,319, filed on May 16, 2006, now Pat. No. 7,344,334.

(57) **CLAIM**

The ornamental design for a paver system, as shown and described.

(51) **LOC (8) Cl.** **25-01**

(52) **U.S. Cl.** **D25/113**

(58) **Field of Classification Search** D25/102–118,
D25/164; D21/484, 500, 501; 405/16, 284,
405/286; 404/27–30, 34, 37–42; 52/102,
52/574–576, 596–599, 600–602, 603–605,
52/606–609

See application file for complete search history.

DESCRIPTION

FIG. 1 is a top perspective view of a paver system. No claim is made to the bottom of the paver system, which is not shown;

FIG. 2 is a top, front and left perspective view of a paver piece of the paver system of the FIG. 1 shown separately for clarity of the disclosure, the back and right sides being a mirror image of the front and left side;

FIG. 3 is a bottom, front and left perspective view of the paver piece shown in FIG. 2, the back and right sides being a mirror image of the front and left sides; and,

FIG. 4 is a top, first and second side perspective view of a plurality of substrates of the paver system of the FIG. 1 shown separately for clarity of the disclosure, the third and fourth sides being mirror image of the first and second sides. No claim is made to the bottom of the plurality of substrates, which is not shown.

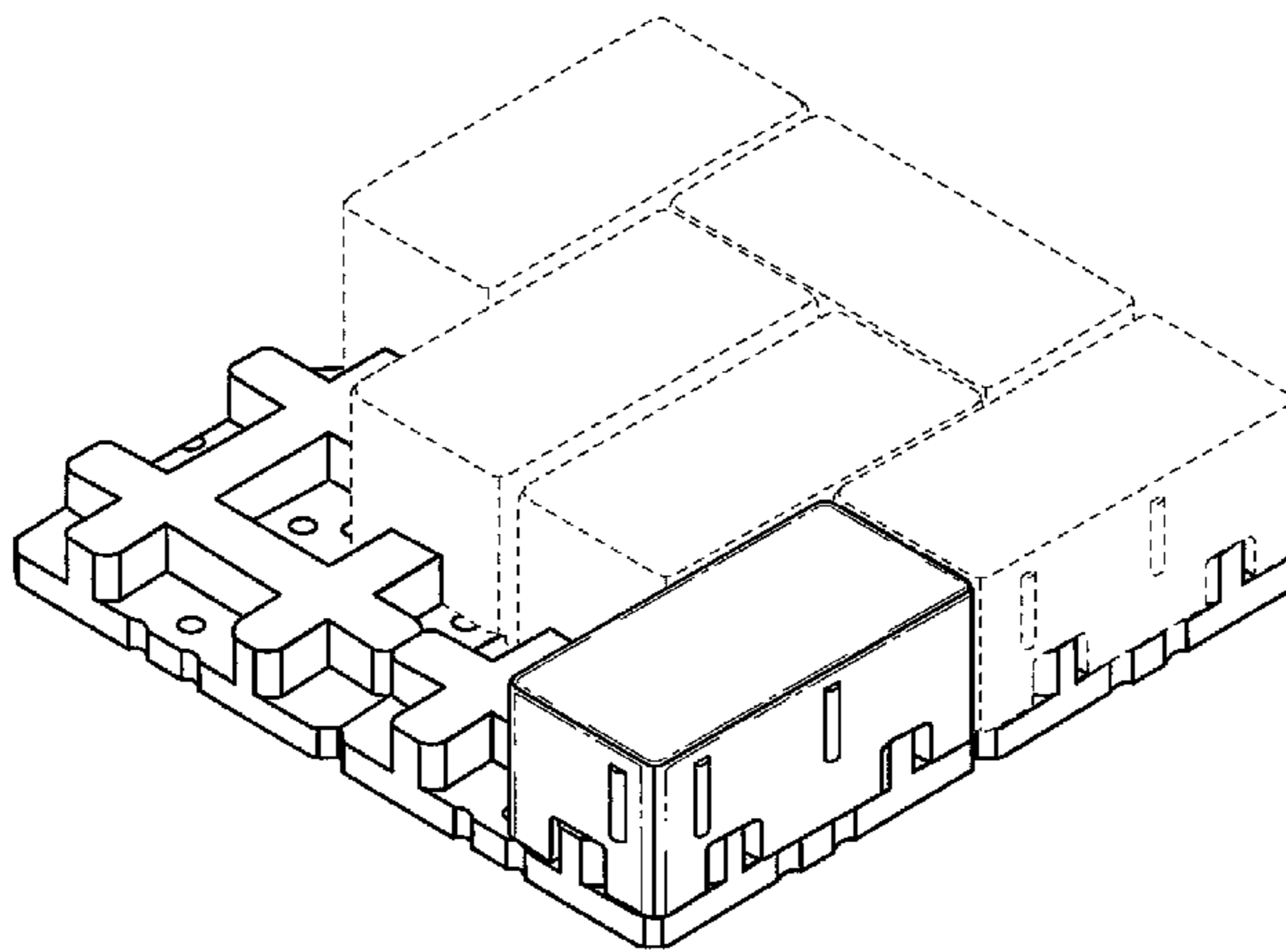
The broken lines in FIG. 1 are included to illustrate the environment subject matter and form no part of the claimed design.

(56) **References Cited**

U.S. PATENT DOCUMENTS

- 1,728,991 A 9/1929 Draullette
- D214,532 S * 6/1969 Fenton D25/118
- 3,557,669 A * 1/1971 Fenton 404/42
- 3,832,078 A 8/1974 Nakayama
- 3,922,864 A * 12/1975 Hilfiker D25/113
- 4,749,302 A 6/1988 DeClute
- 5,006,011 A 4/1991 Hiyashi
- 5,363,614 A 11/1994 Faulkner
- 5,496,129 A 3/1996 Dubé
- 5,615,971 A 4/1997 Boevé
- 5,630,674 A 5/1997 Inaba
- 5,685,666 A 11/1997 Marshall et al.
- 5,775,838 A * 7/1998 Pettee, Sr. 405/16

1 Claim, 4 Drawing Sheets



US D581,549 S

Page 2

U.S. PATENT DOCUMENTS					
			D506,012 S *	6/2005	Crump D25/112
5,993,107 A	11/1999	Bauer	6,988,847 B2	1/2006	Lazar
6,000,877 A	12/1999	Fishback et al.	7,001,101 B1	2/2006	DeRose
6,027,280 A	2/2000	Connors et al.	7,144,201 B2 *	12/2006	DeArmond, Jr. 405/286
6,071,041 A	6/2000	Knight	2002/0141821 A1	10/2002	Guidon
6,171,015 B1	1/2001	Barth et al.	2003/0086762 A1	5/2003	Oka et al.
6,185,893 B1	2/2001	Gaston	2003/0103810 A1	6/2003	Wiley
6,263,633 B1	7/2001	Hagenah	2003/0173540 A1	9/2003	Mortz et al.
D460,830 S *	7/2002	Unger D25/113	2004/0028471 A1	2/2004	Smithdale
6,551,016 B2	4/2003	Guidon	2004/0228684 A1	11/2004	Lombardo
6,694,697 B2	2/2004	Shepherd	2005/0182160 A1	8/2005	Milani Nejad et al.
6,702,514 B2	3/2004	Kaneko et al.	2005/0183632 A1	8/2005	Sturre
6,739,797 B1	5/2004	Schneider	2005/0193679 A1	9/2005	Langsdorff
6,851,236 B1	2/2005	Harvey	2005/0232696 A1	10/2005	Cheung
6,863,469 B2	3/2005	Bolduc et al.			

* cited by examiner

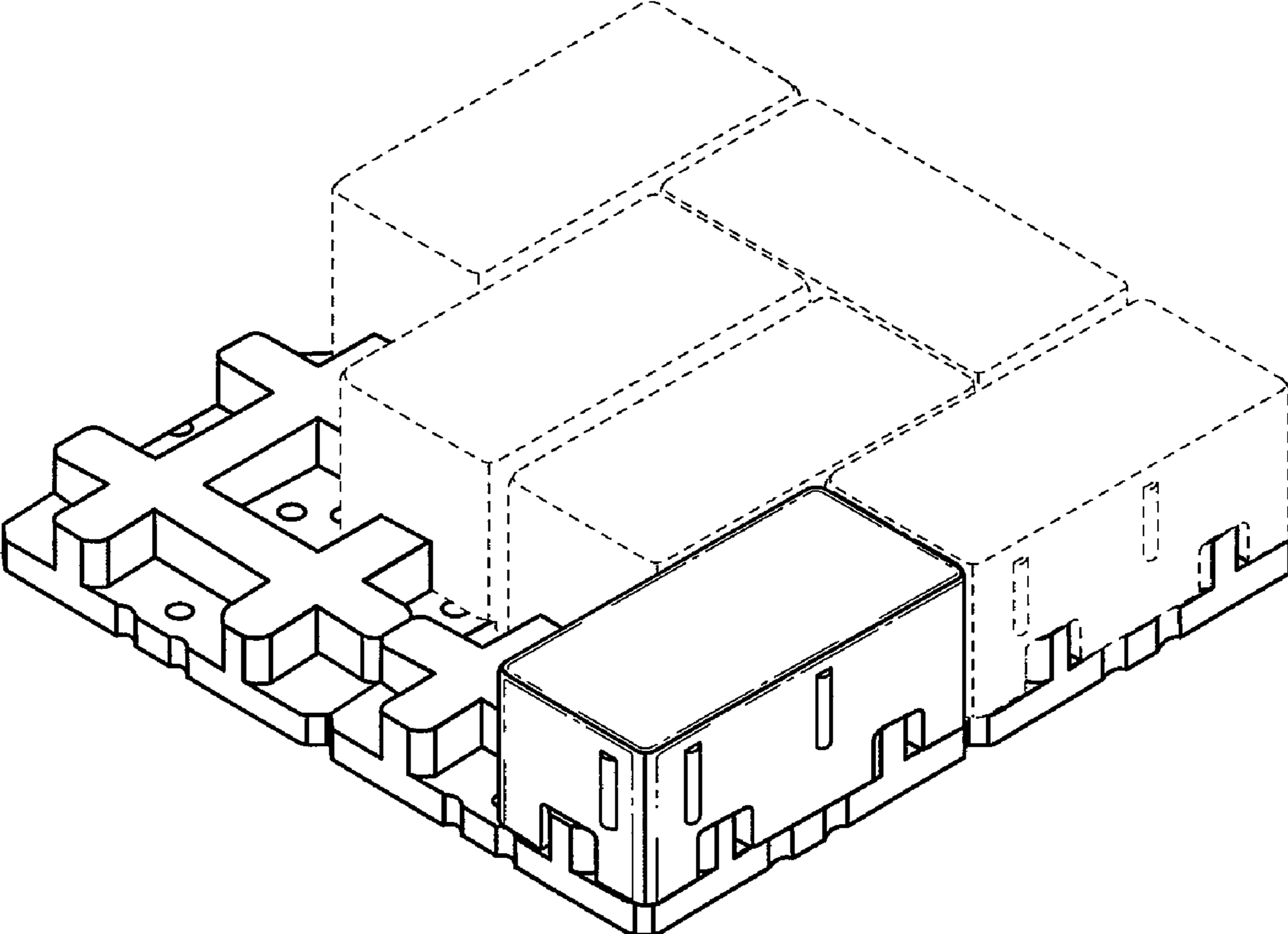


Fig. 1

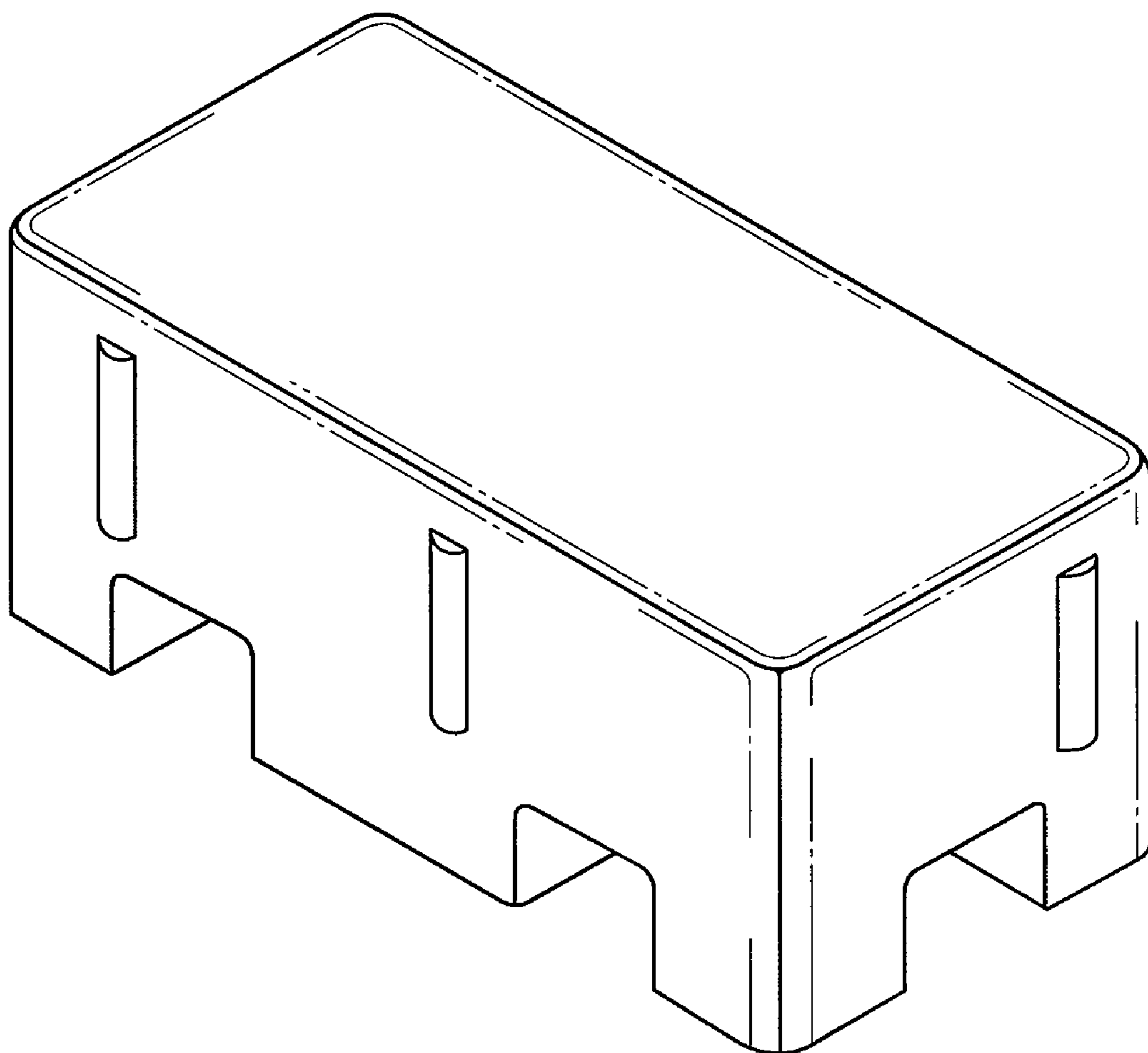


Fig. 2

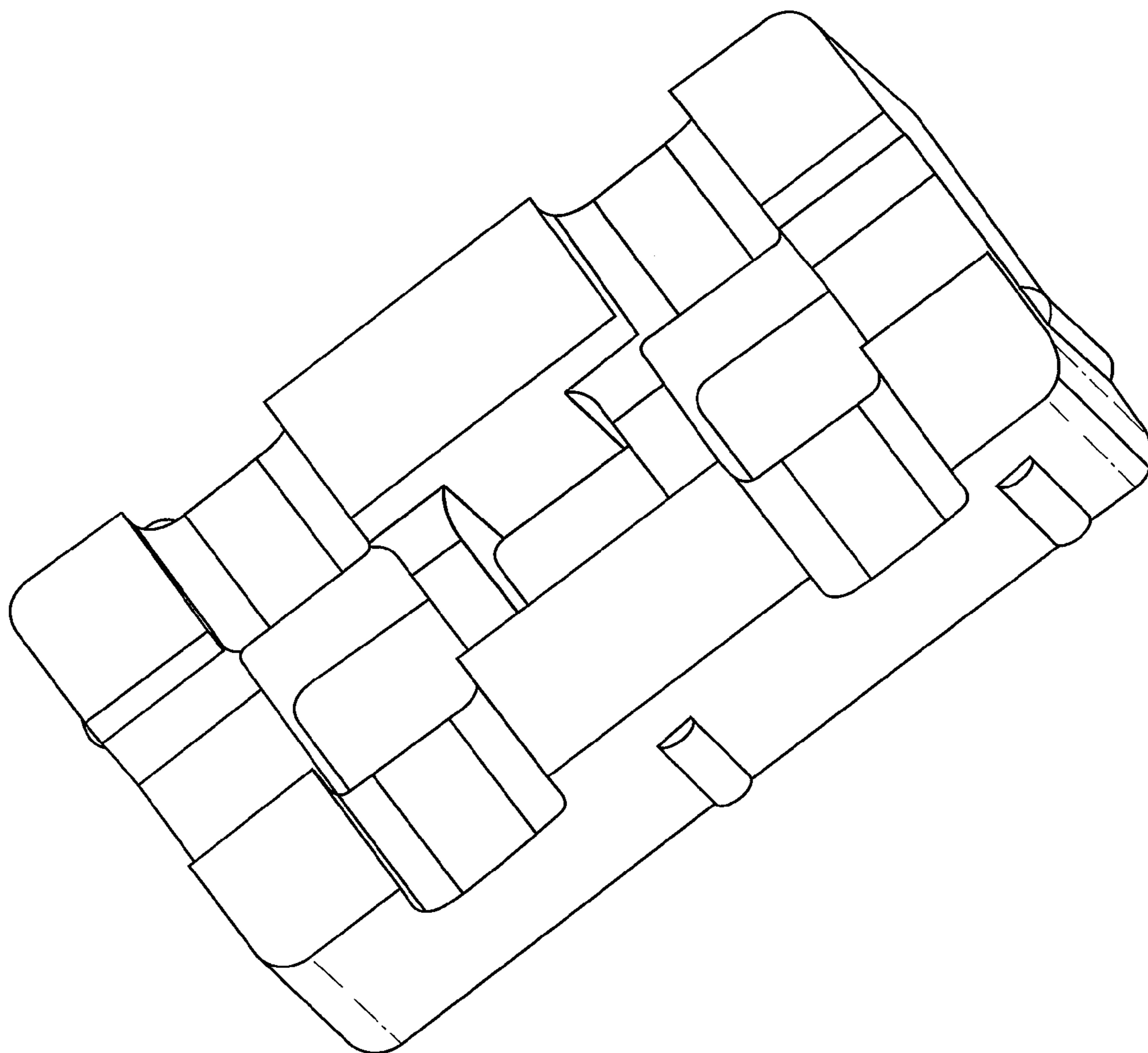


Fig. 3

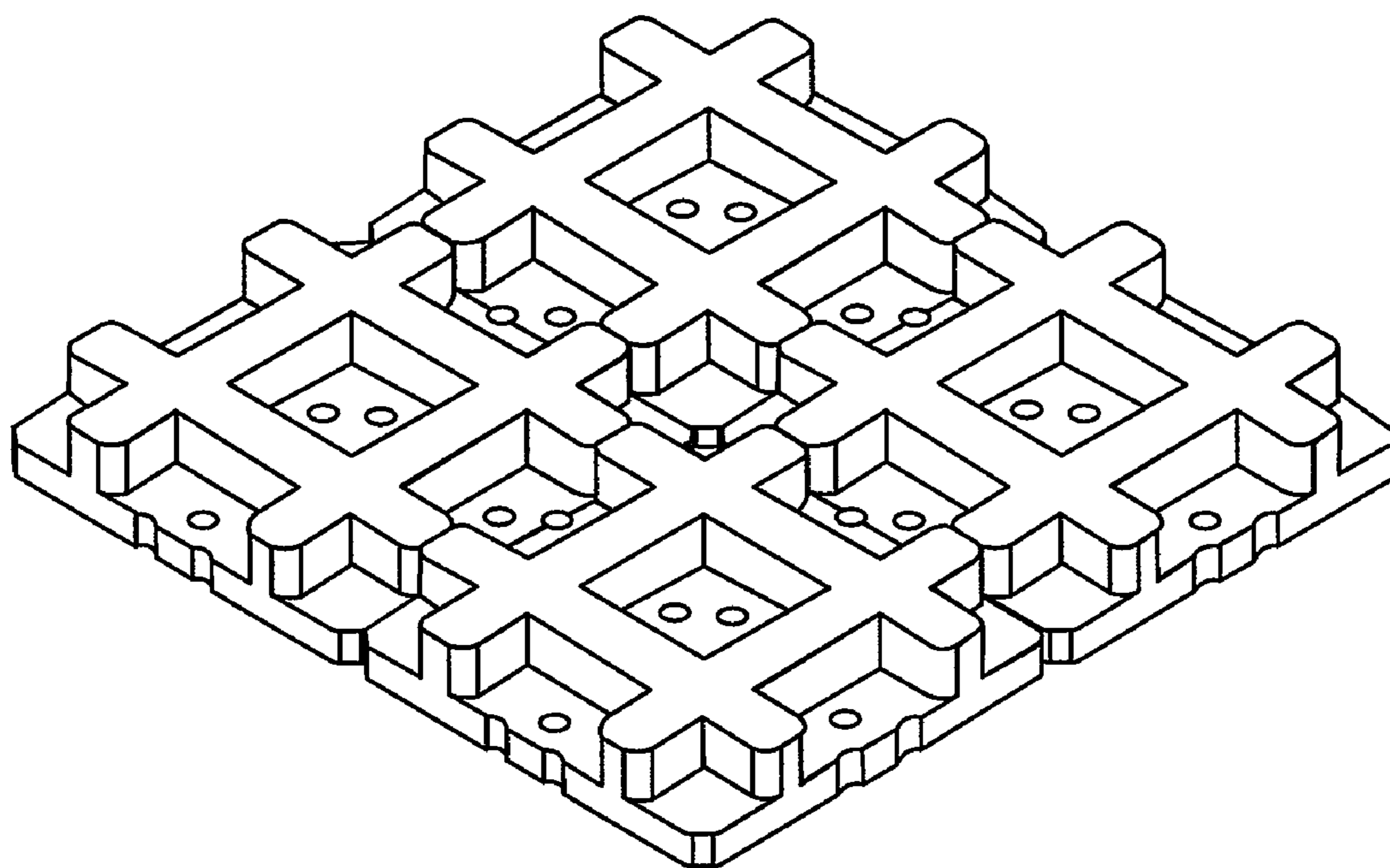


Fig. 4