



US00D581544S

(12) **United States Design Patent**  
**Adams**

(10) **Patent No.:** **US D581,544 S**  
(45) **Date of Patent:** **\*\* Nov. 25, 2008**

(54) **THERAPEUTIC RING**

(76) **Inventor:** **Jesse Aaron Adams**, 12345 Lake City Way NE., #289, Seattle, WA (US) 98125

(\*\*) **Term:** **14 Years**

(21) **Appl. No.:** **29/302,978**

(22) **Filed:** **Jan. 29, 2008**

(51) **LOC (8) Cl.** ..... **28-03**

(52) **U.S. Cl.** ..... **D24/215; D24/143; D24/105**

(58) **Field of Classification Search** ..... D24/105, D24/143, 215; 128/842, 844, 918; 601/69, 601/70, 79; 600/38, 39; D11/1

See application file for complete search history.

(56) **References Cited**

**U.S. PATENT DOCUMENTS**

4,539,980	A	9/1985	Chaney	
D293,473	S	12/1987	Chaney	
4,834,115	A	5/1989	Stewart	
5,524,638	A	6/1996	Lyons	
D496,458	S	9/2004	Lin	
6,790,189	B2	9/2004	Kobayashi et al.	
6,907,883	B2*	6/2005	Lin	128/844
D523,958	S	6/2006	Fang	
D552,748	S	* 10/2007	Gromosaik et al.	D24/215
D552,749	S	* 10/2007	Gromosaik et al.	D24/215

D552,750	S	* 10/2007	Gromosaik et al.	.....	D24/215
D557,805	S	* 12/2007	Gromosaik et al.	.....	D24/215
D557,806	S	* 12/2007	Gromosaik et al.	.....	D24/105
2005/0155609	A1	7/2005	Lin		
2005/0283044	A1	12/2005	Chang		

\* cited by examiner

*Primary Examiner*—Cathron C Brooks

*Assistant Examiner*—Melanie Levy

(74) *Attorney, Agent, or Firm*—Polly L. Oliver

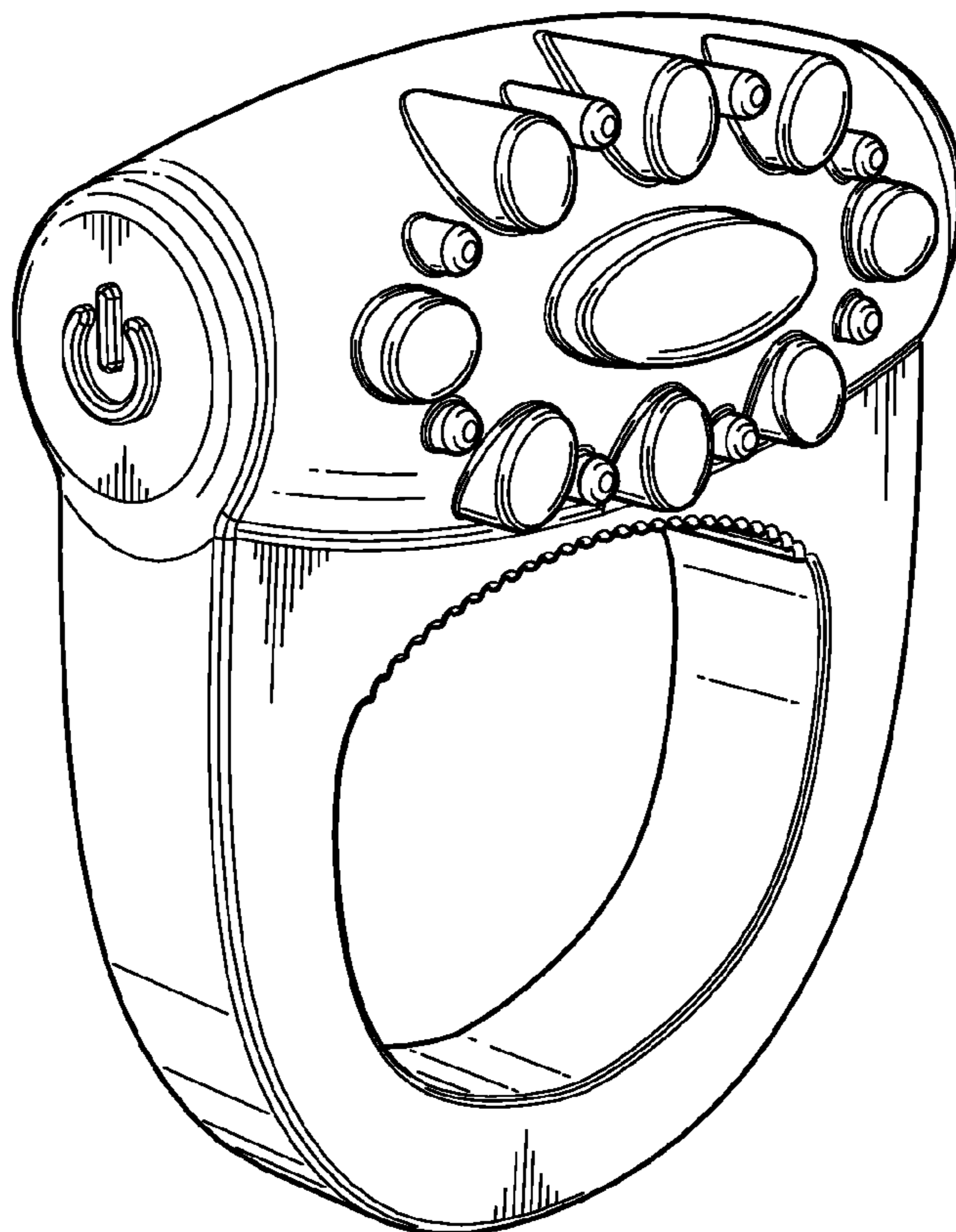
(57) **CLAIM**

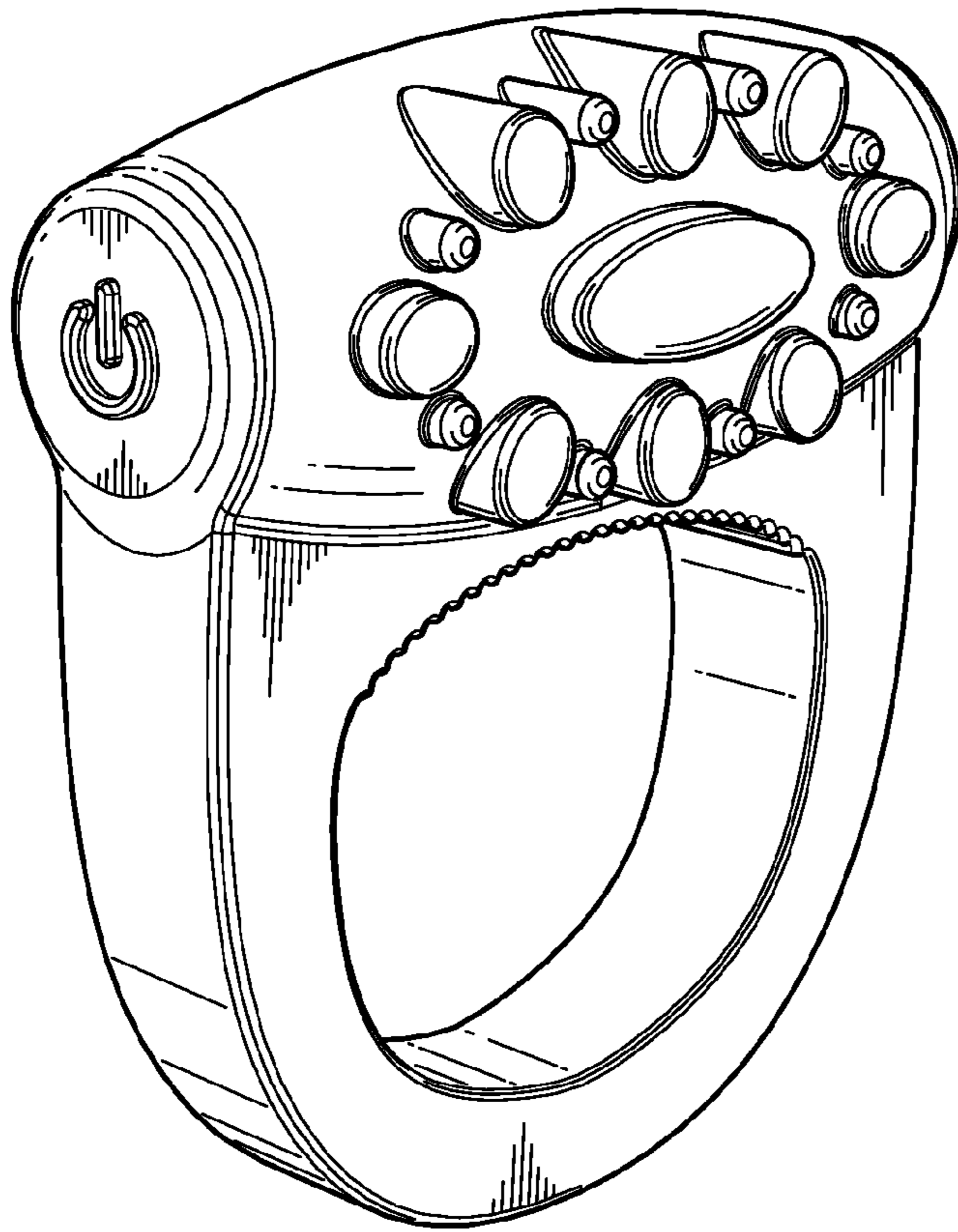
The ornamental design for a therapeutic ring, as shown and described.

**DESCRIPTION**

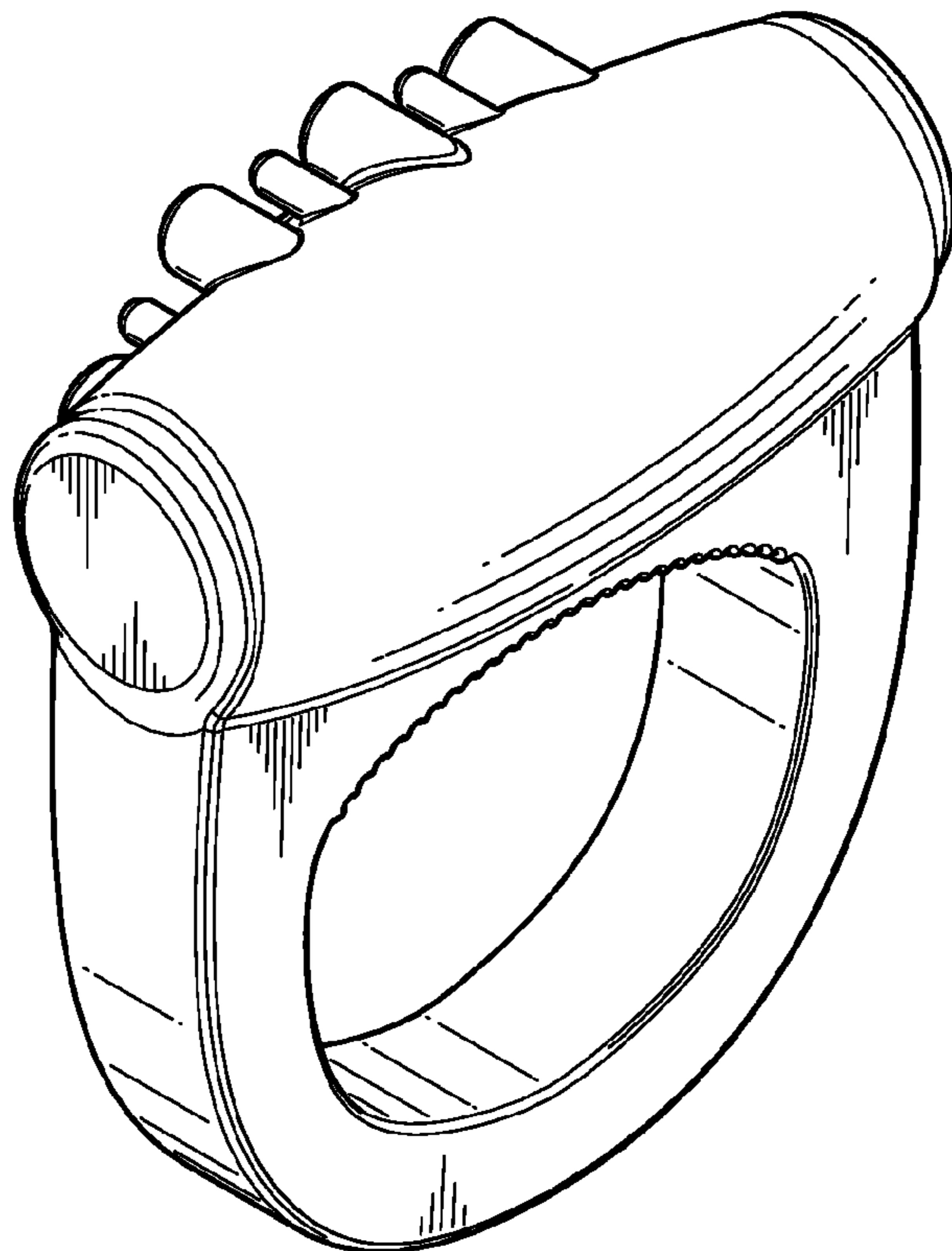
FIG. 1 is a front perspective view of the present invention; FIG. 2 is a back perspective view of the present invention; FIG. 3 is a right side view of the present invention; FIG. 4 is a left side view of the present invention; FIG. 5 is a top view of the present invention; FIG. 6 is a bottom view of the present invention; FIG. 7 is a front view of the present invention; and, FIG. 8 is a back view of the present invention.

**1 Claim, 3 Drawing Sheets**

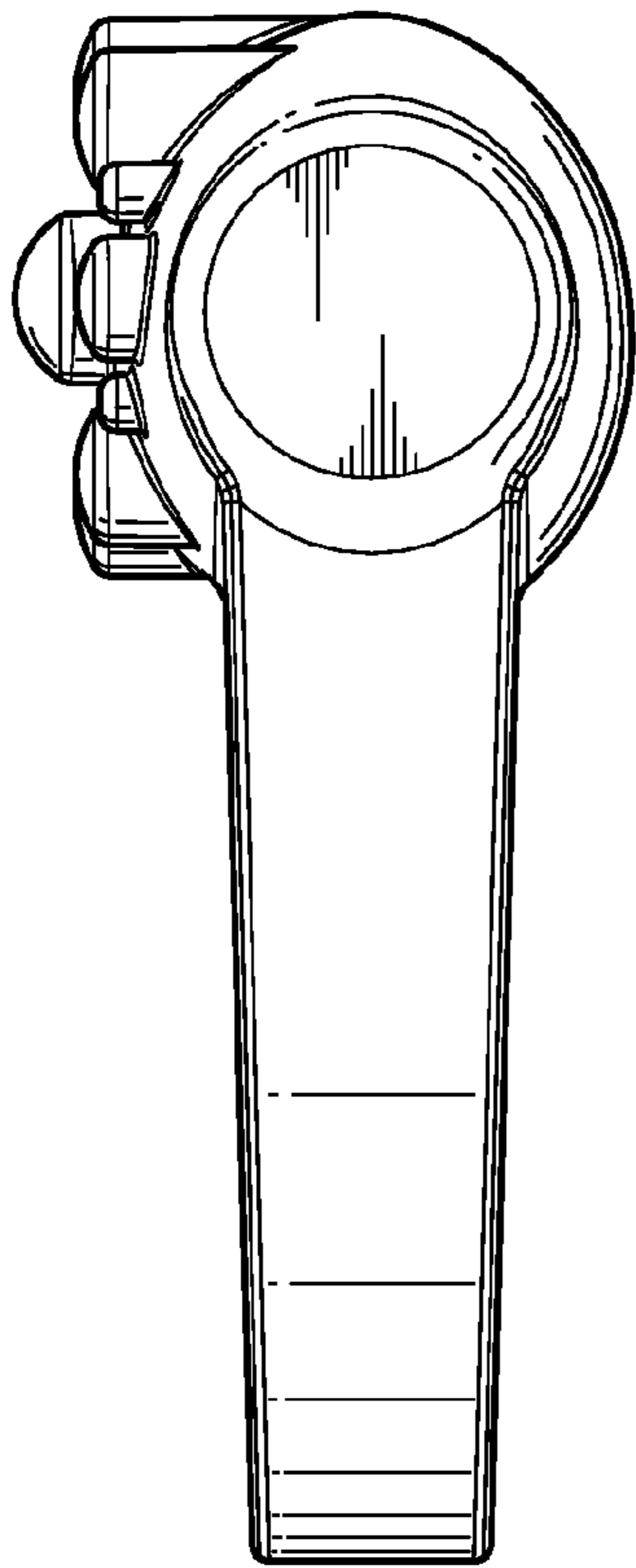




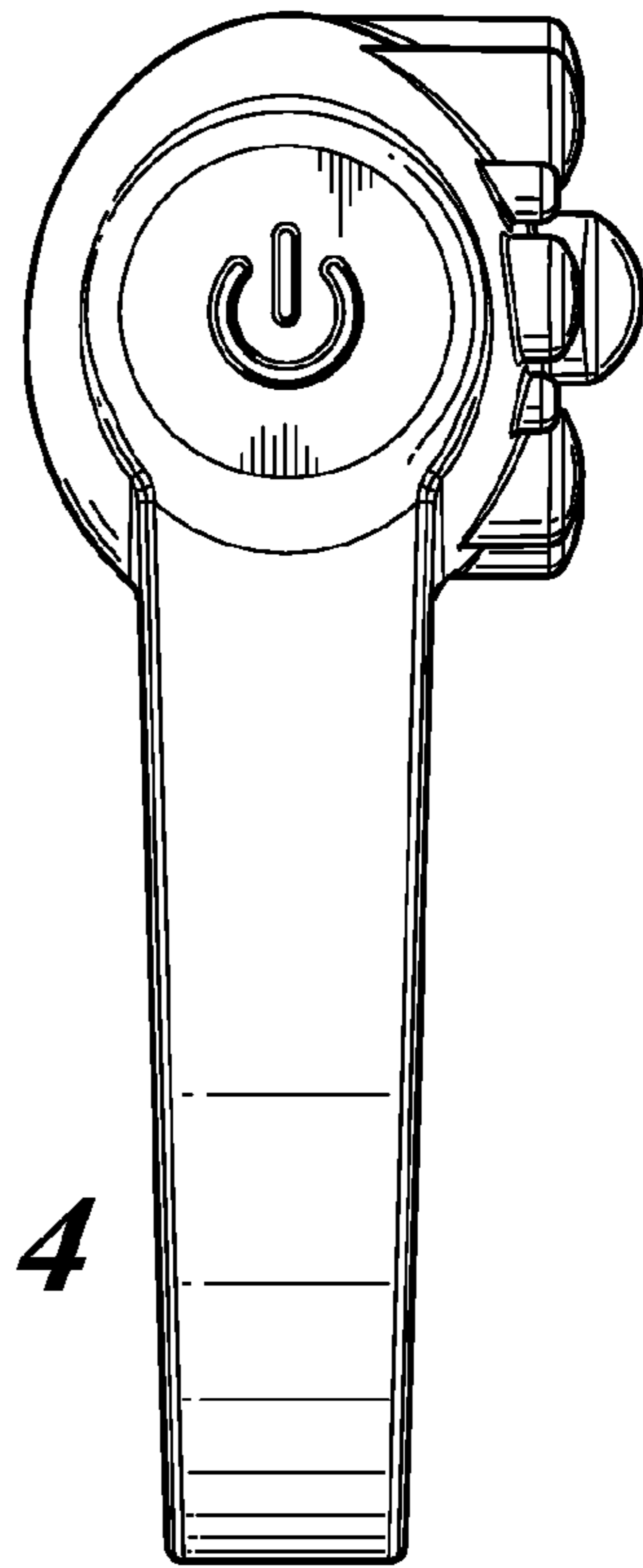
**FIG. 1**



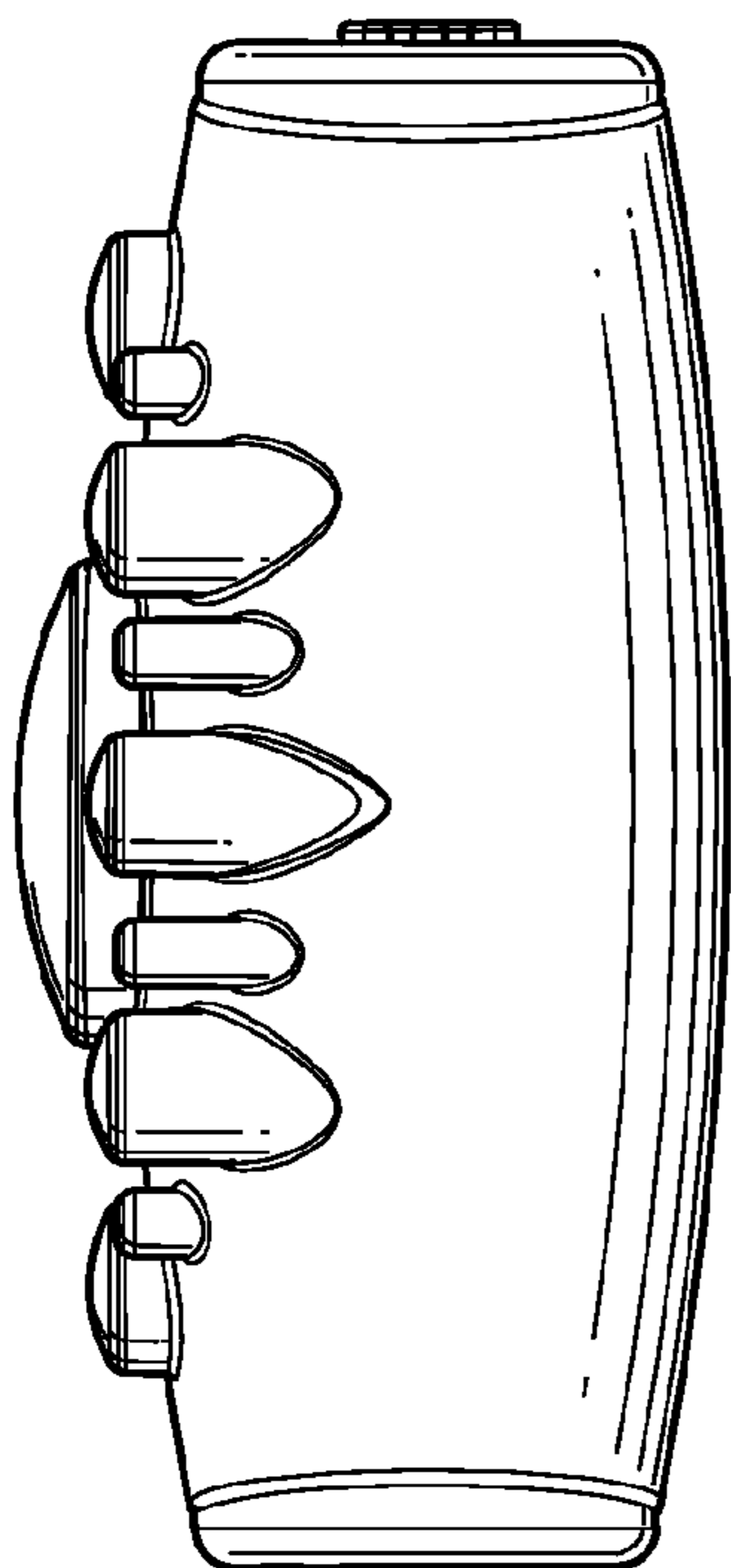
**FIG. 2**



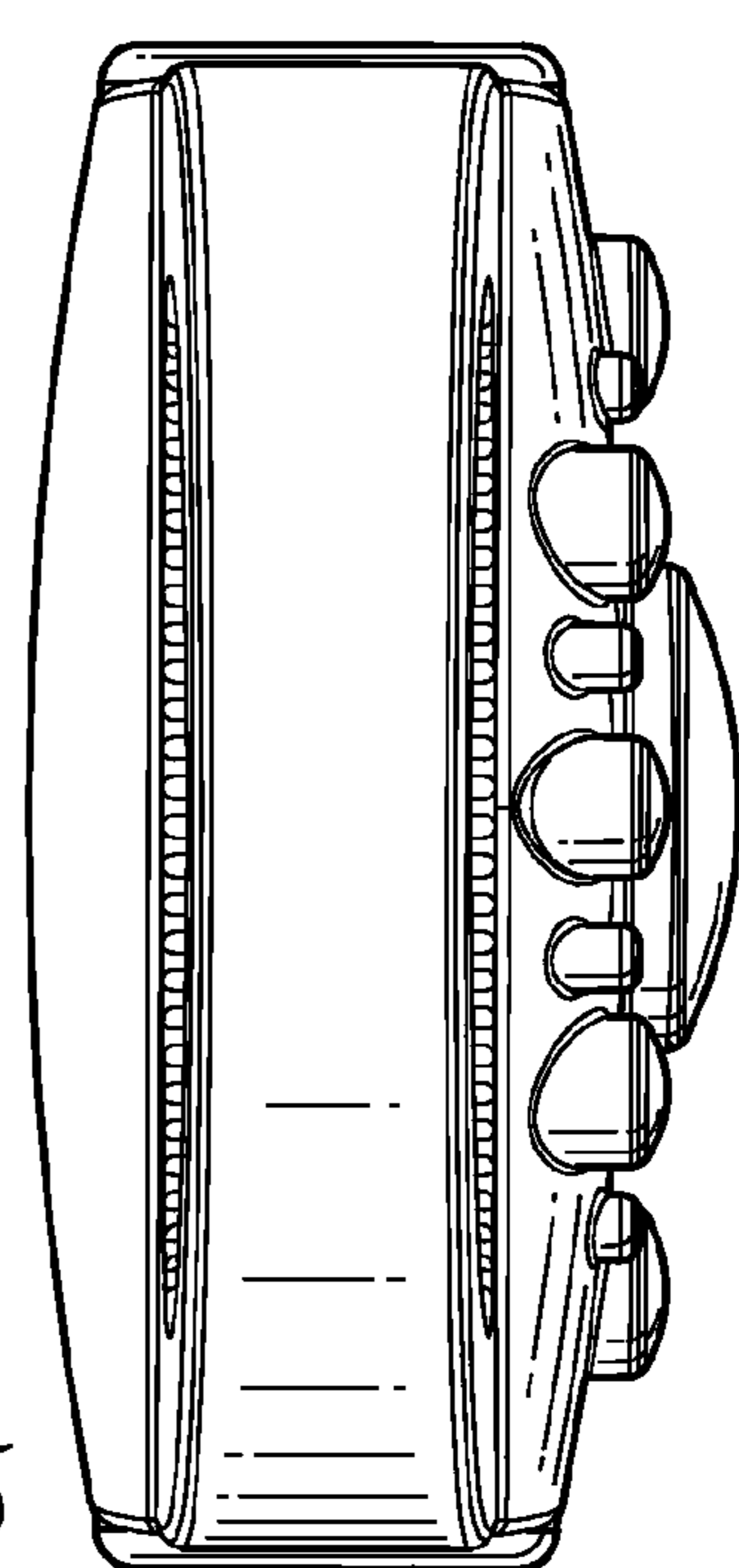
**FIG. 3**



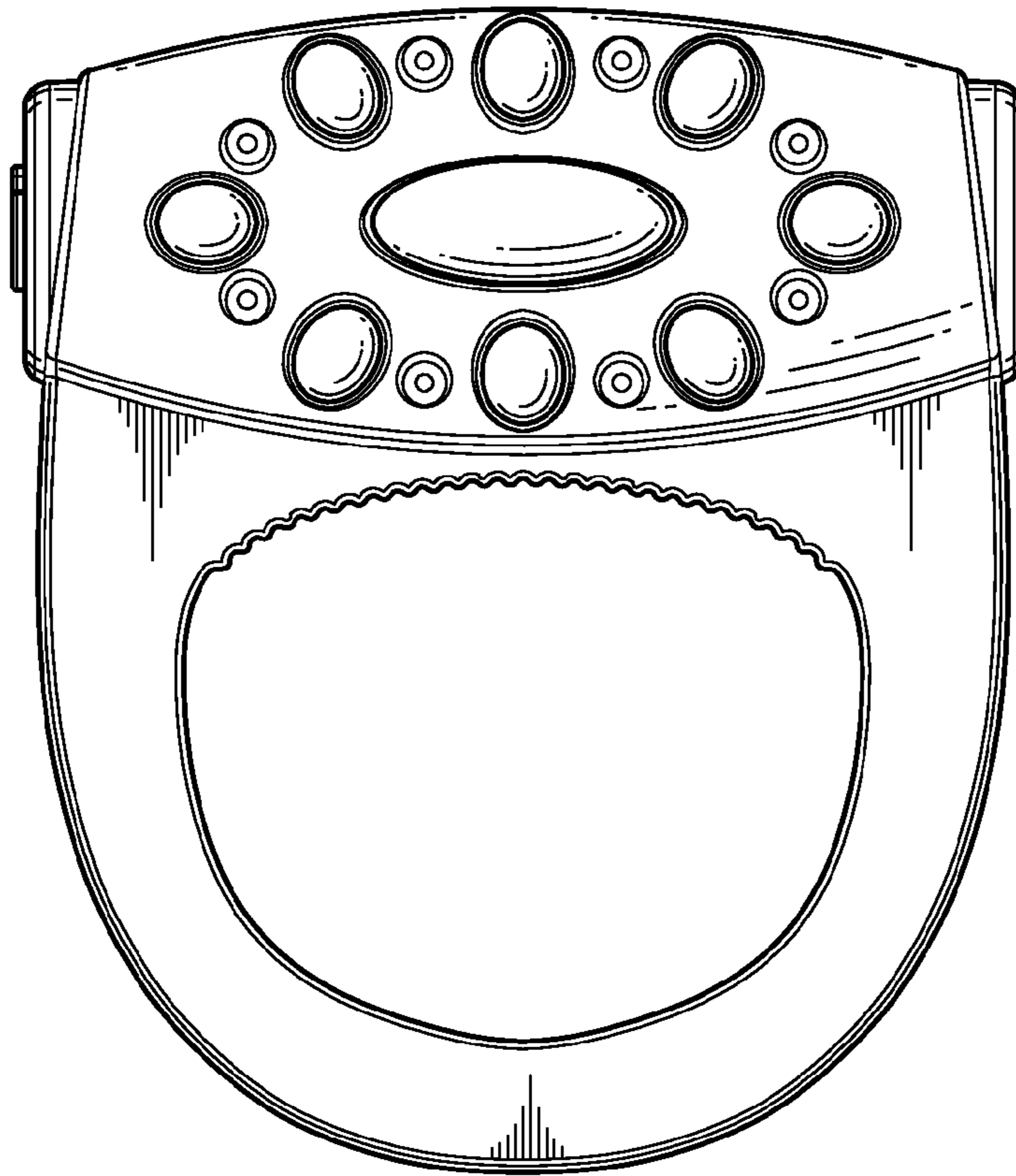
**FIG. 4**



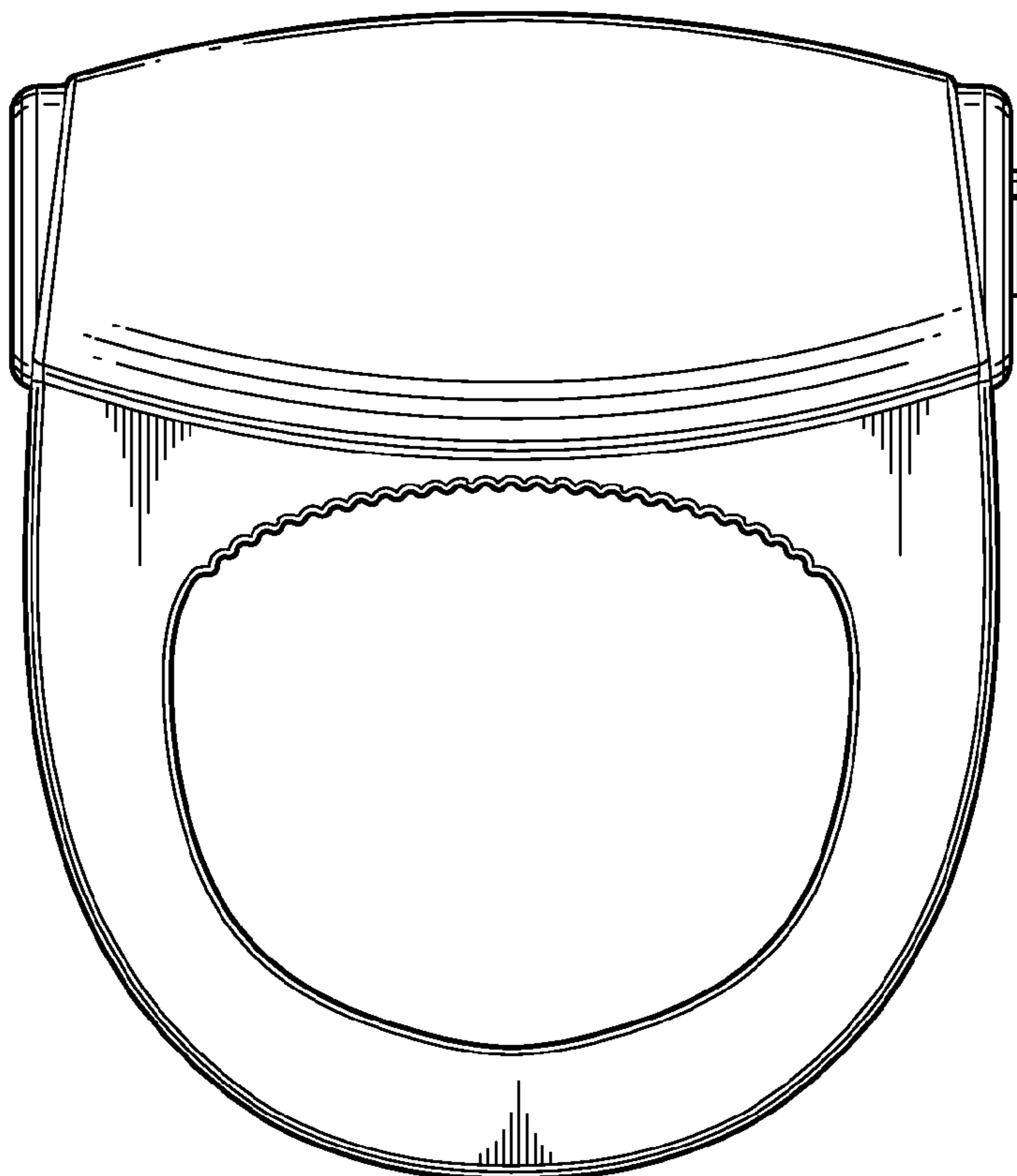
**FIG. 5**



**FIG. 6**



**FIG. 7**



**FIG. 8**