



US00D581540S

(12) **United States Design Patent**
Nielsen et al.

(10) **Patent No.:** **US D581,540 S**
(45) **Date of Patent:** **** Nov. 25, 2008**

(54) **CARRY CASE FOR A PACIFIER**
(75) Inventors: **John Nielsen**, Glen Waverley (AU); **Jon Seddon**, Surrey Hills (AU); **Peter Sanbrook**, Chirnside Park (AU)
(73) Assignee: **Bellett Leasing Pty Ltd.**, Boronia, Victoria (AU)
(**) Term: **14 Years**

(21) Appl. No.: **29/284,351**
(22) Filed: **Sep. 6, 2007**

(51) **LOC (8) Cl.** **24-04**
(52) **U.S. Cl.** **D24/194**
(58) **Field of Classification Search** D24/193-199,
D24/215, 435, 447, 682, 690; D3/294, 265;
606/234-236; 215/11.1-11.6, 387, 392;
248/102-107; 128/359-360; 601/139; 24/301;
222/566; D9/778, 423-428, 682, 688, 689,
D9/690

See application file for complete search history.

(56) **References Cited**

U.S. PATENT DOCUMENTS

D243,366	S	*	2/1977	Lybe et al.	D24/194
D248,279	S	*	6/1978	Goldsmith et al.	D9/778
D275,993	S	*	10/1984	Ryan et al.	D24/194
4,493,324	A	*	1/1985	Johnston	606/236
D287,336	S	*	12/1986	Roehrig	D3/295
D299,534	S	*	1/1989	Mastropiero	D24/194
4,819,641	A	*	4/1989	Russell et al.	606/234
4,852,569	A		8/1989	Sanders		
4,946,054	A	*	8/1990	Maniero et al.	215/11.6
5,156,617	A		10/1992	Reid		
D335,184	S	*	4/1993	Mastropiero	D24/194
D336,135	S	*	6/1993	Alexander et al.	D24/194
D336,338	S	*	6/1993	Selame	D24/194
D339,423	S	*	9/1993	Rohrig	D24/193

D367,112	S	*	2/1996	Mastropiero	D24/194
5,606,871	A		3/1997	Hansen et al.		
D452,373	S	*	12/2001	Horntrich	D3/294
6,485,505	B1	*	11/2002	Vasquez	606/234
D469,177	S	*	1/2003	Rohrig	D24/124
D473,054	S	*	4/2003	Roehrig	D3/295
6,752,824	B2	*	6/2004	Yancy	606/234
D499,489	S	*	12/2004	Roehrig	D24/194
D511,975	S	*	11/2005	Py	D9/682
D545,055	S	*	6/2007	Lieberman et al.	D3/203.1
D554,524	S	*	11/2007	Py	D9/682

* cited by examiner

Primary Examiner—Robert M. Spear
Assistant Examiner—Susan E Krakower
(74) *Attorney, Agent, or Firm*—Merchant & Gould P.C.

(57) **CLAIM**

The ornamental design for a carry case for a pacifier, as shown and described.

DESCRIPTION

FIG. 1 is a front perspective view of a carry case for a pacifier shown in the closed configuration;

FIG. 2 is a rear perspective view thereof;

FIG. 3 is a perspective view thereof in the open configuration;

FIG. 4 is a front elevational view thereof in a closed configuration;

FIG. 5 is a rear elevational view thereof;

FIG. 6 is a right side view thereof;

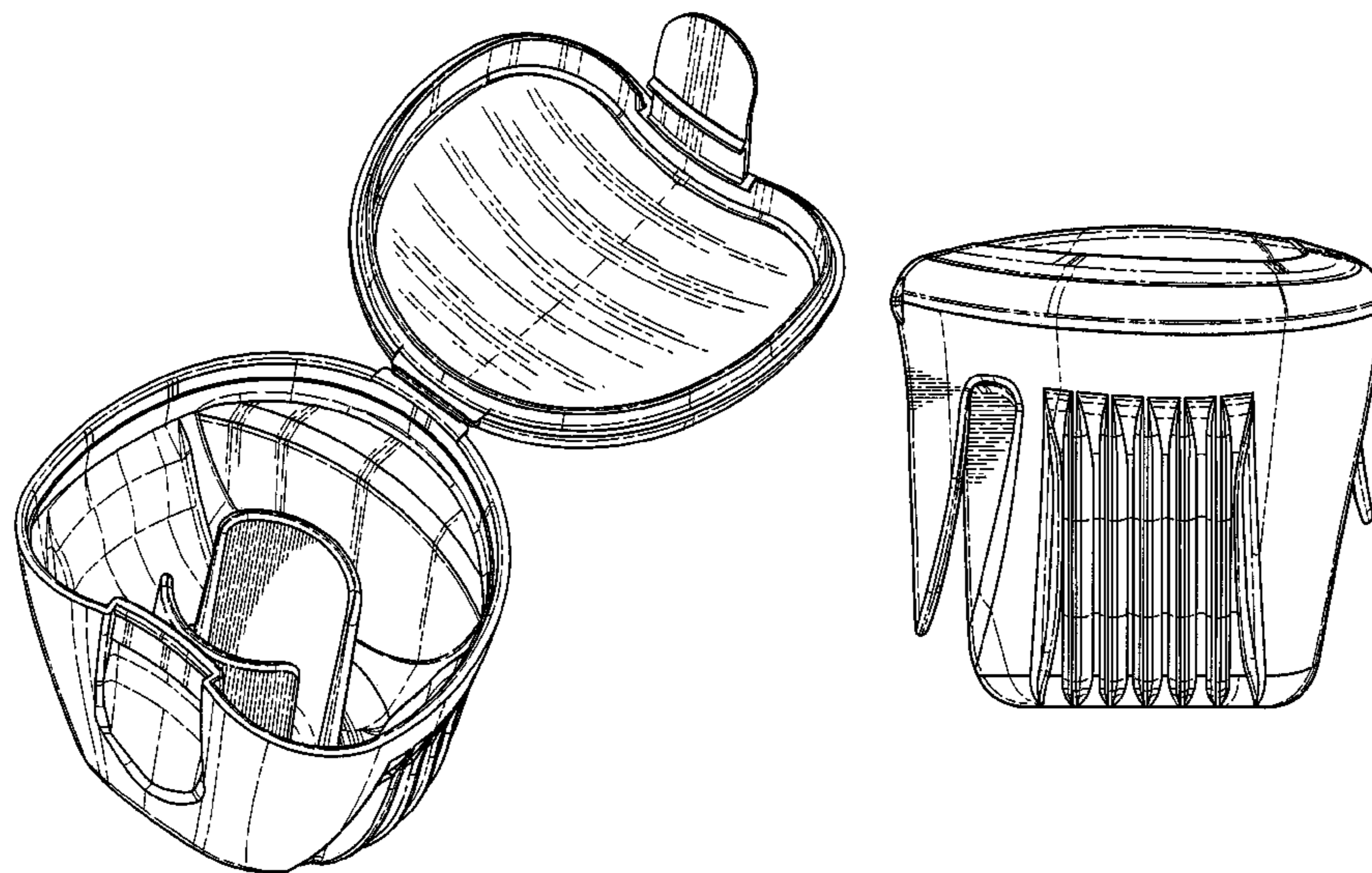
FIG. 7 is a left side view of thereof;

FIG. 8 is a top plan view thereof; and,

FIG. 9 is a bottom plan view thereof.

In FIG. 9, the portion of the bottom surface shown in broken lines represents environmental structure and forms no part of the claimed design.

1 Claim, 5 Drawing Sheets



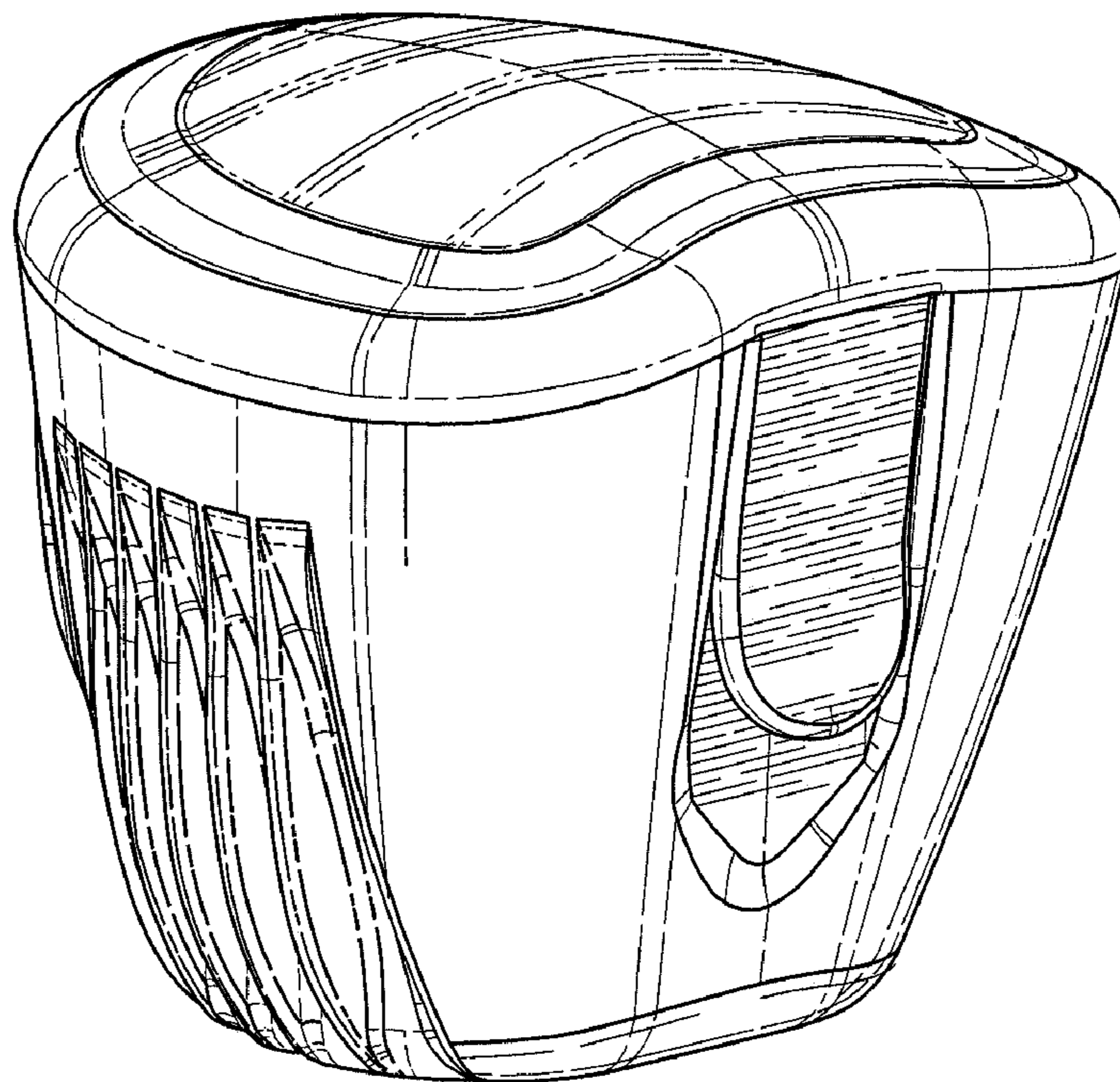


FIG. 1

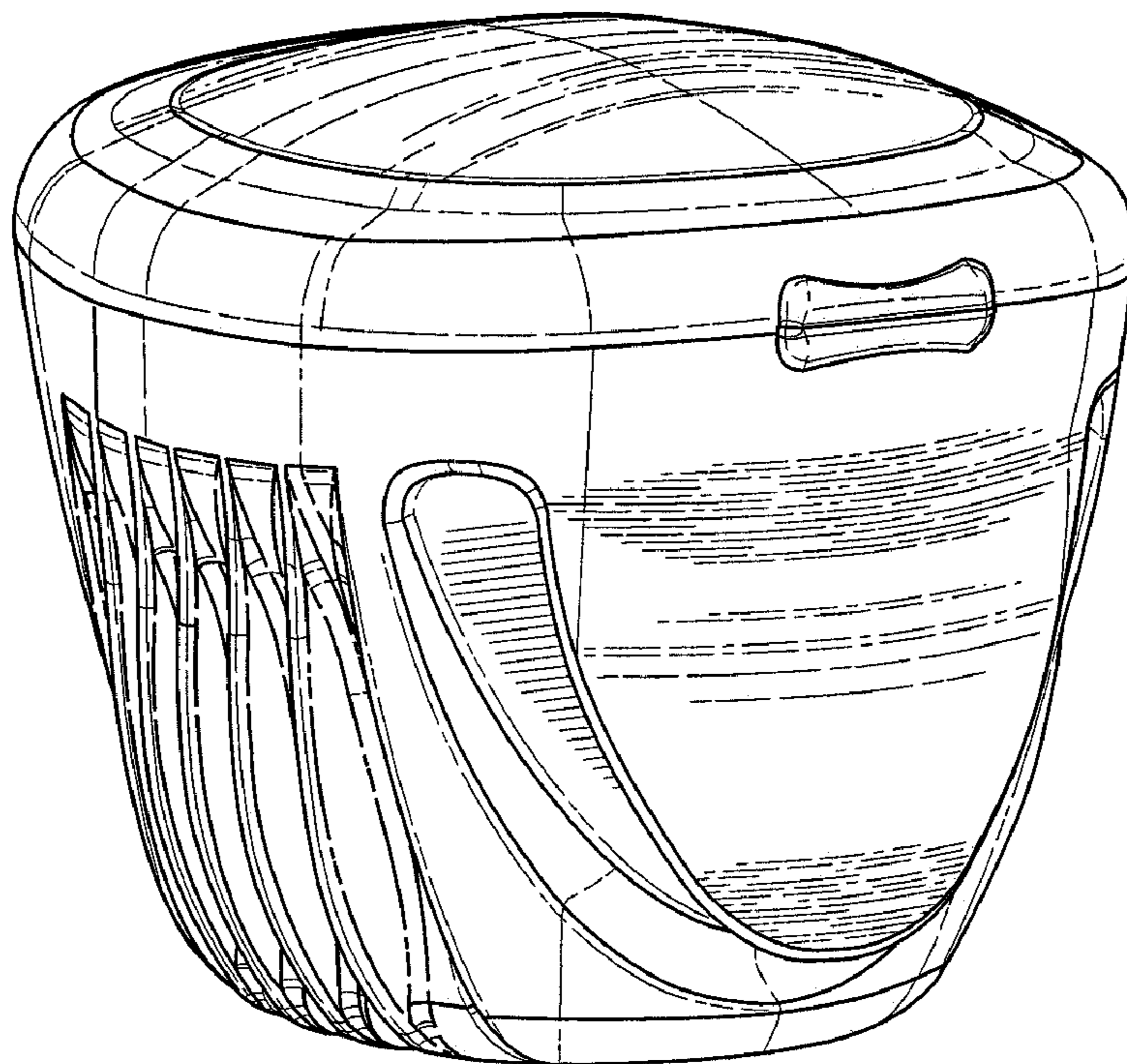


FIG. 2

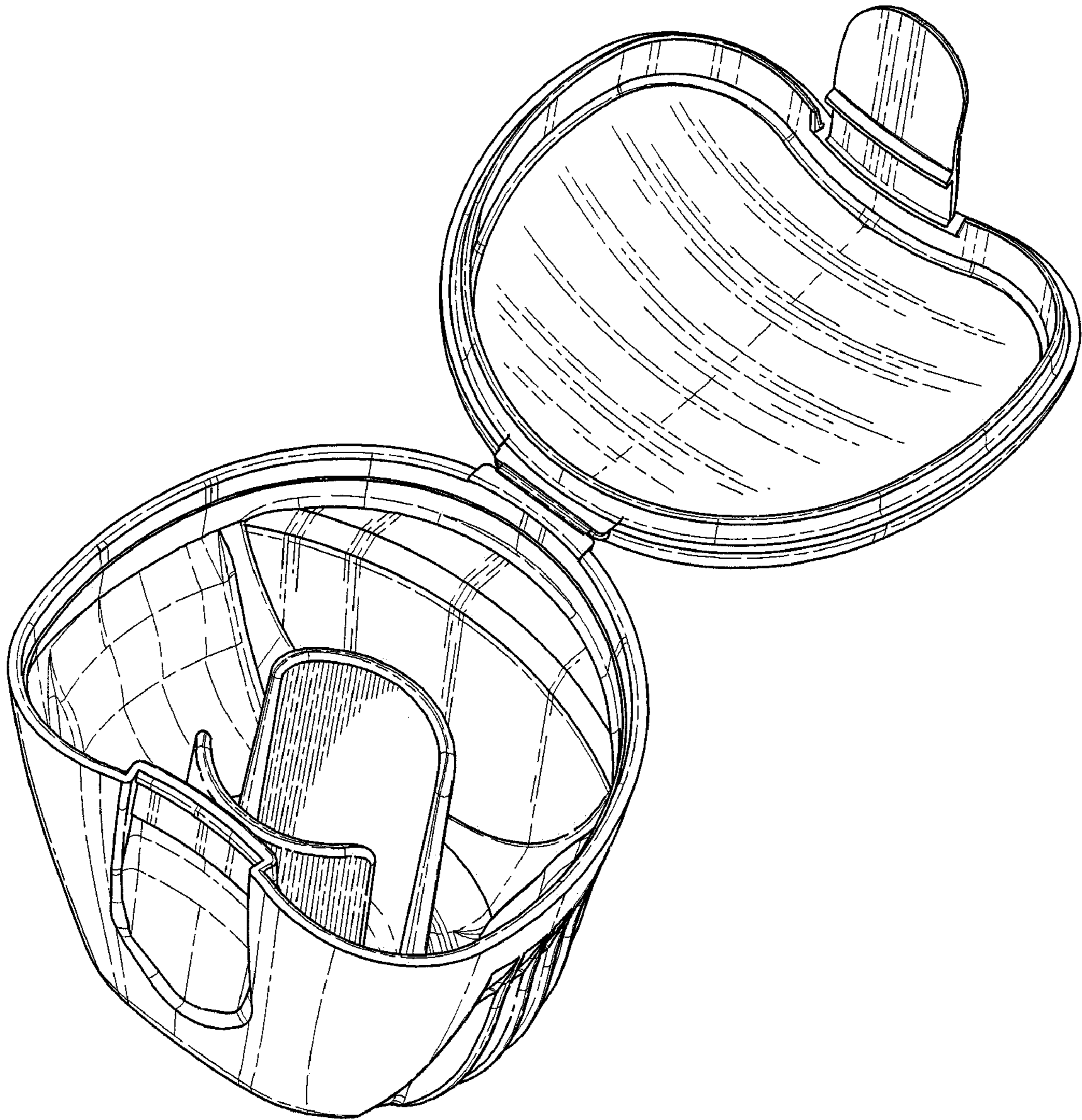


FIG. 3

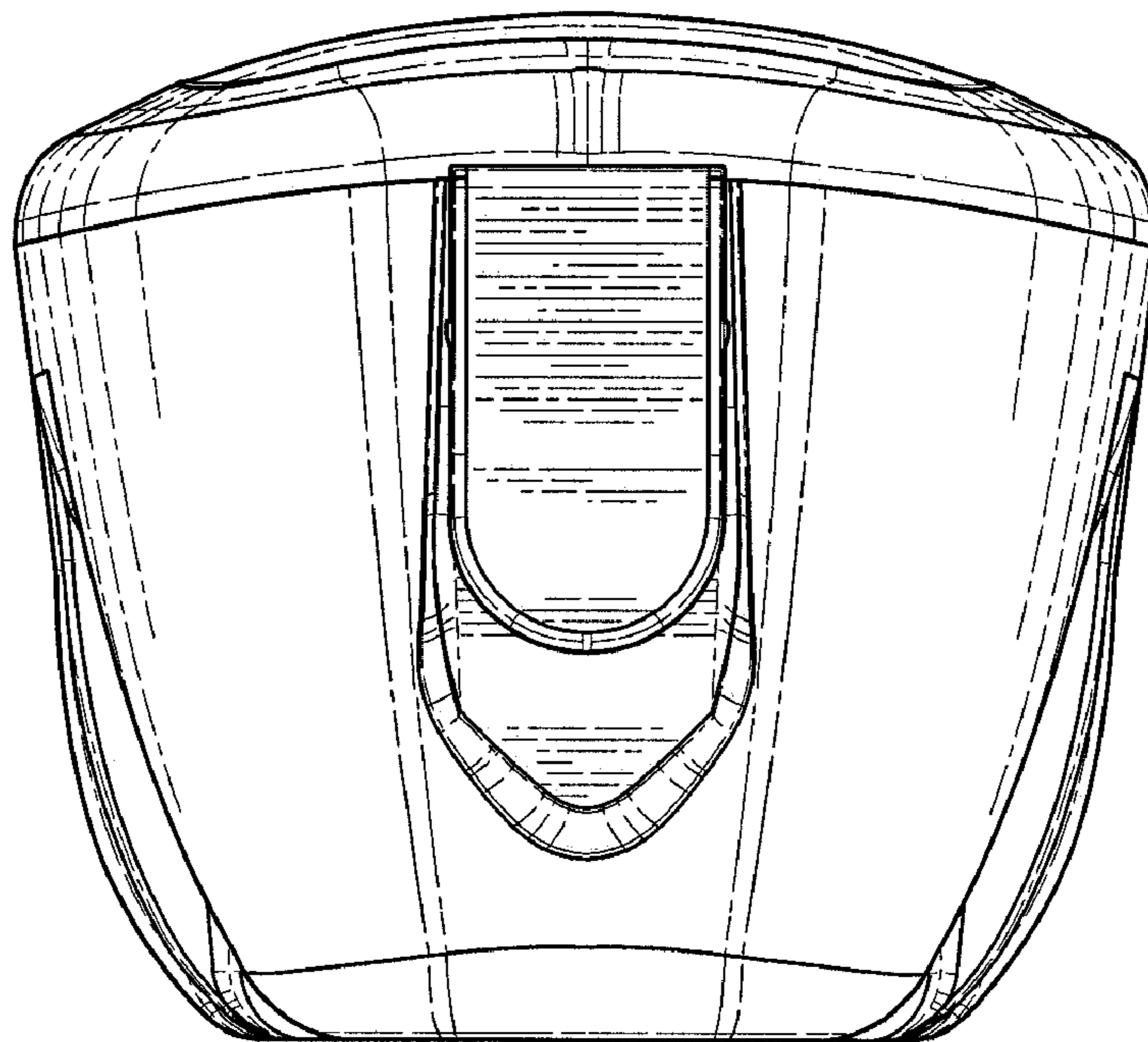


FIG. 4

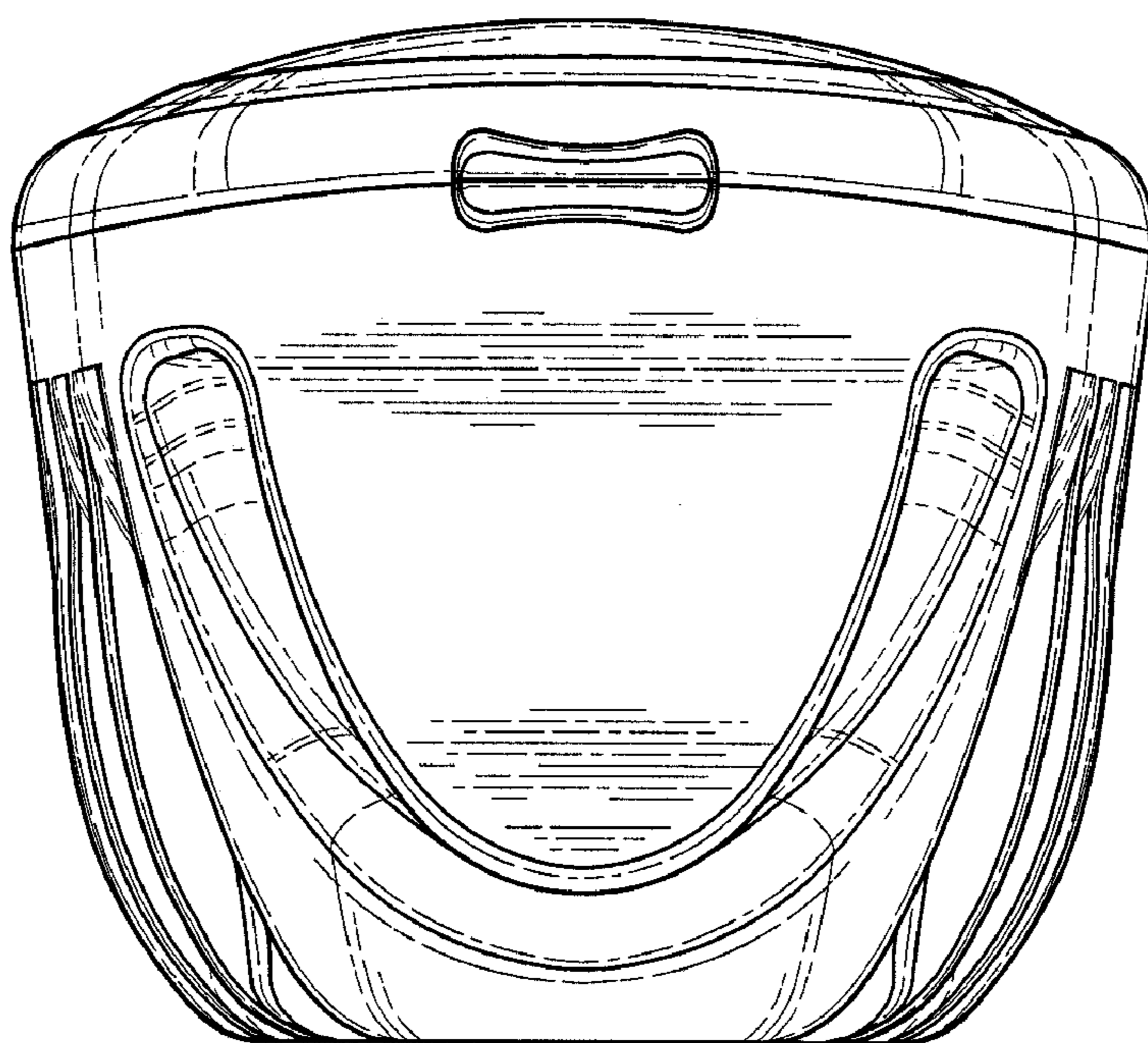


FIG. 5

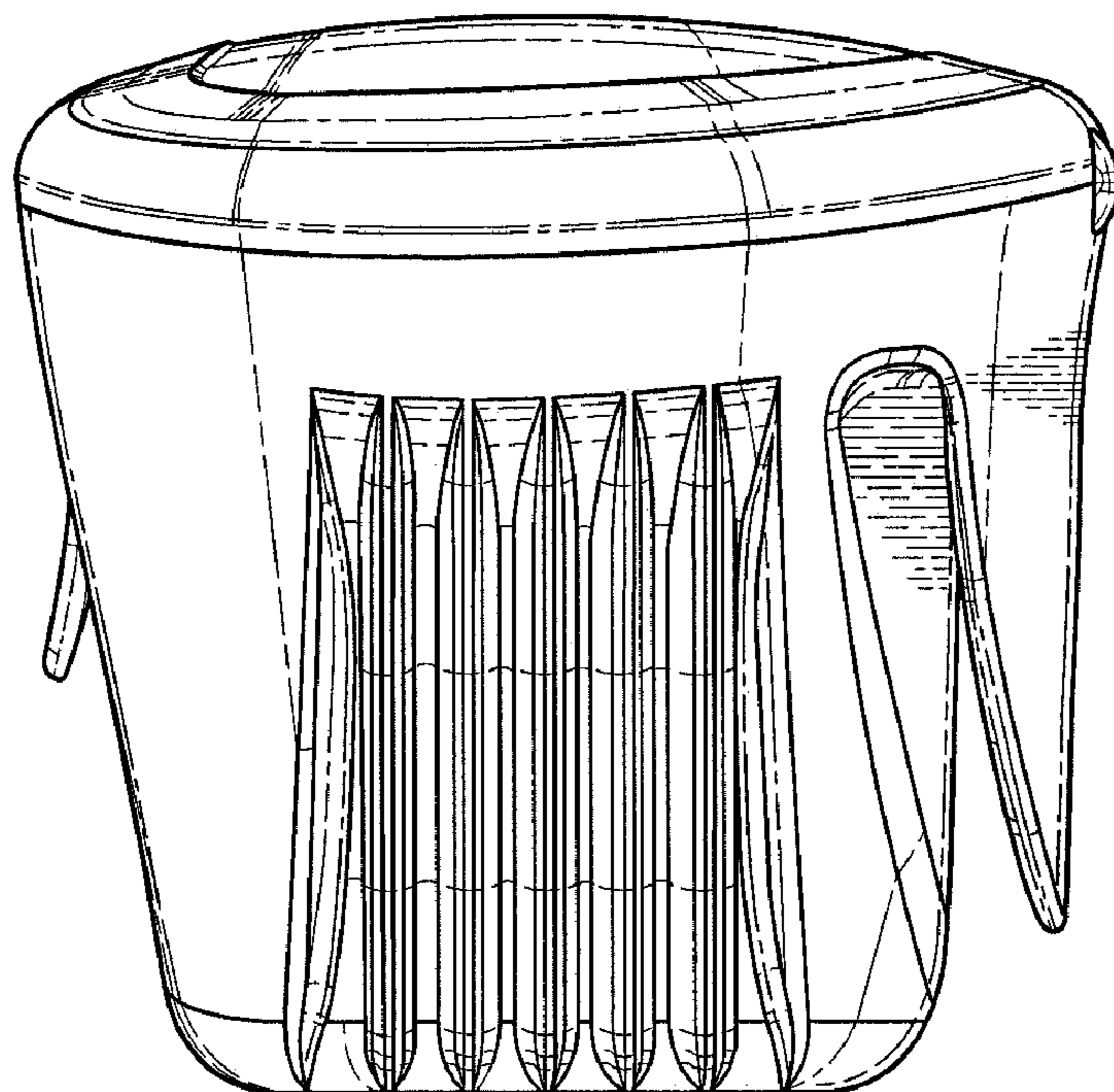


FIG. 6

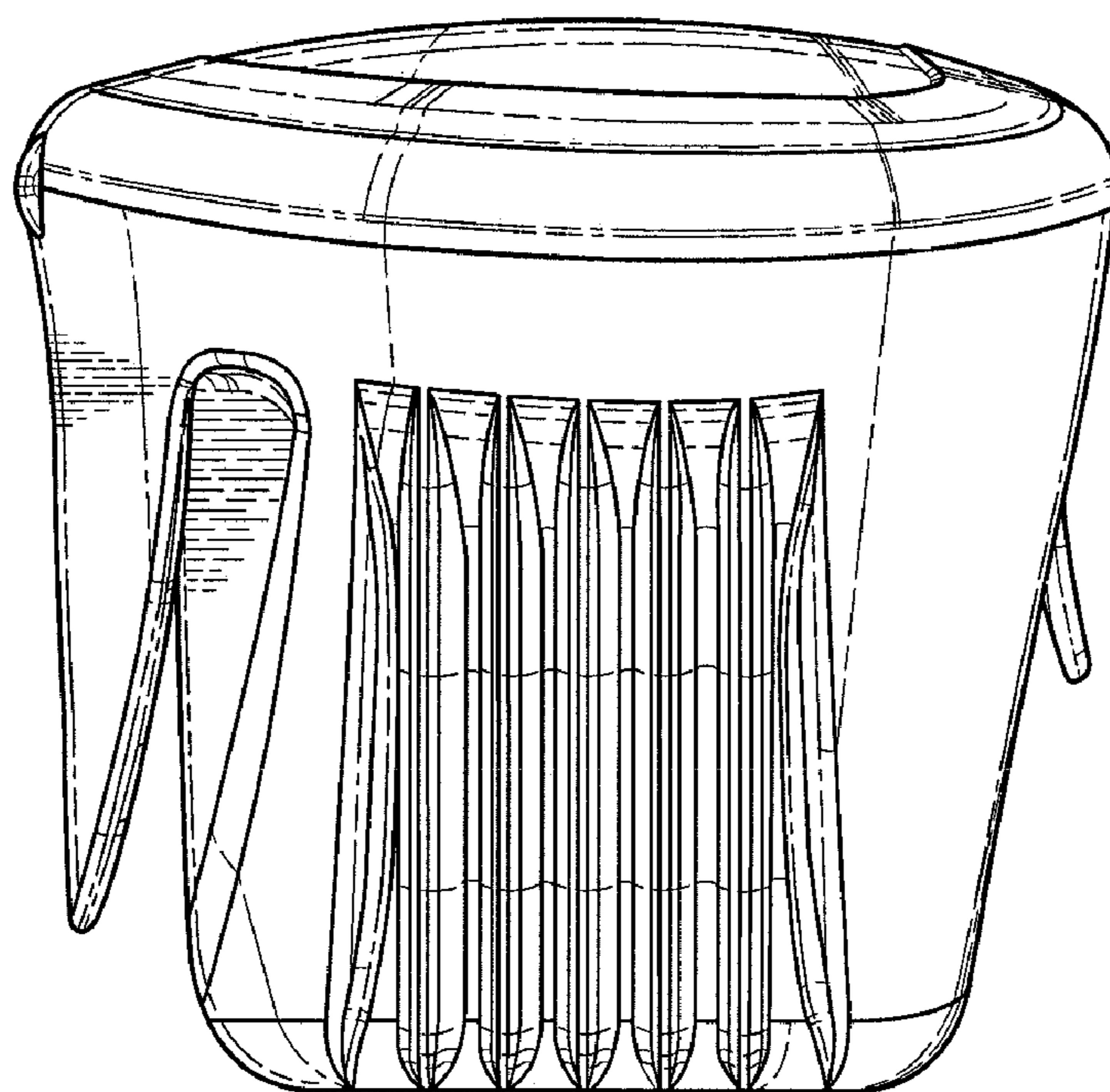


FIG. 7

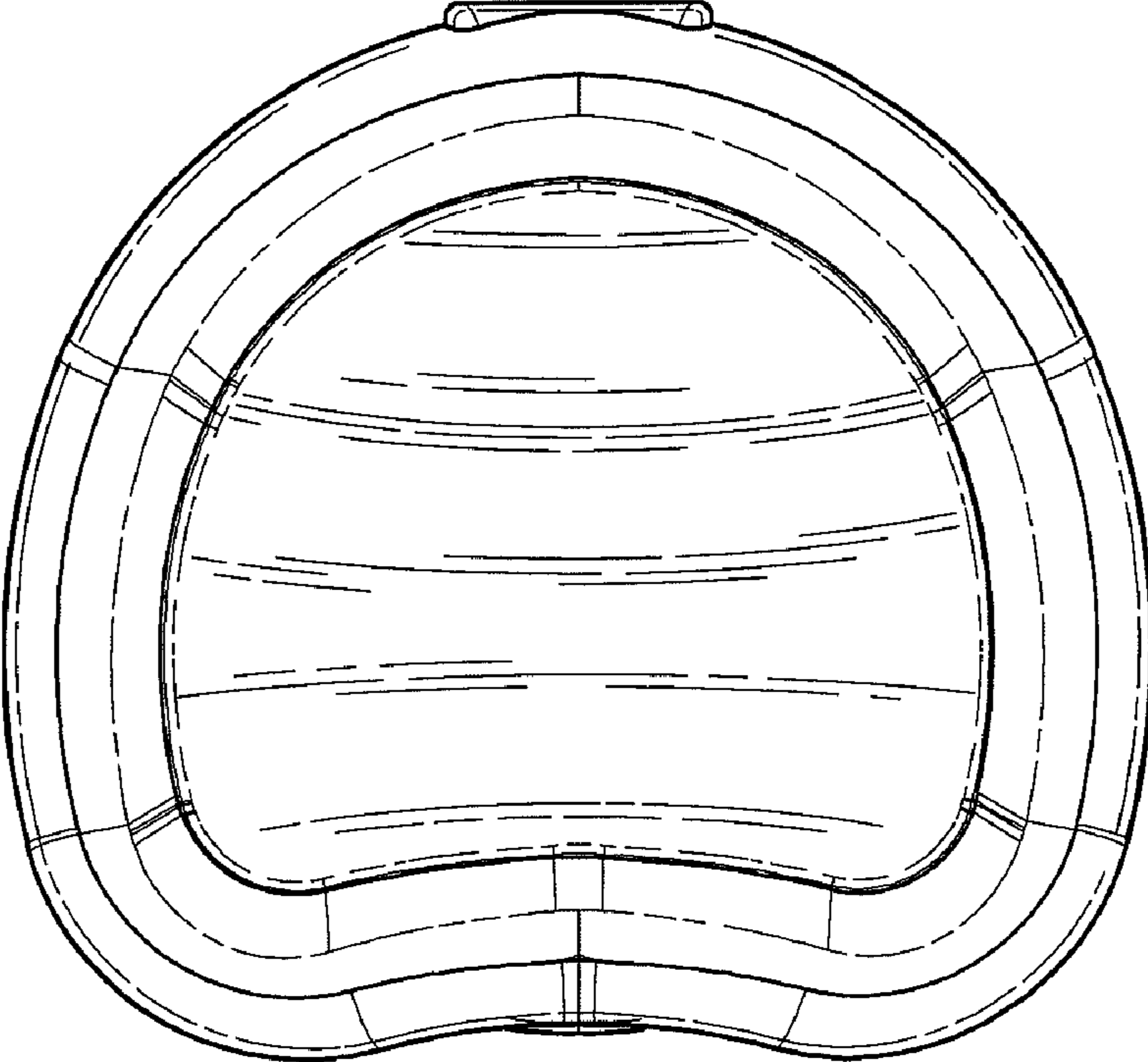


FIG. 8

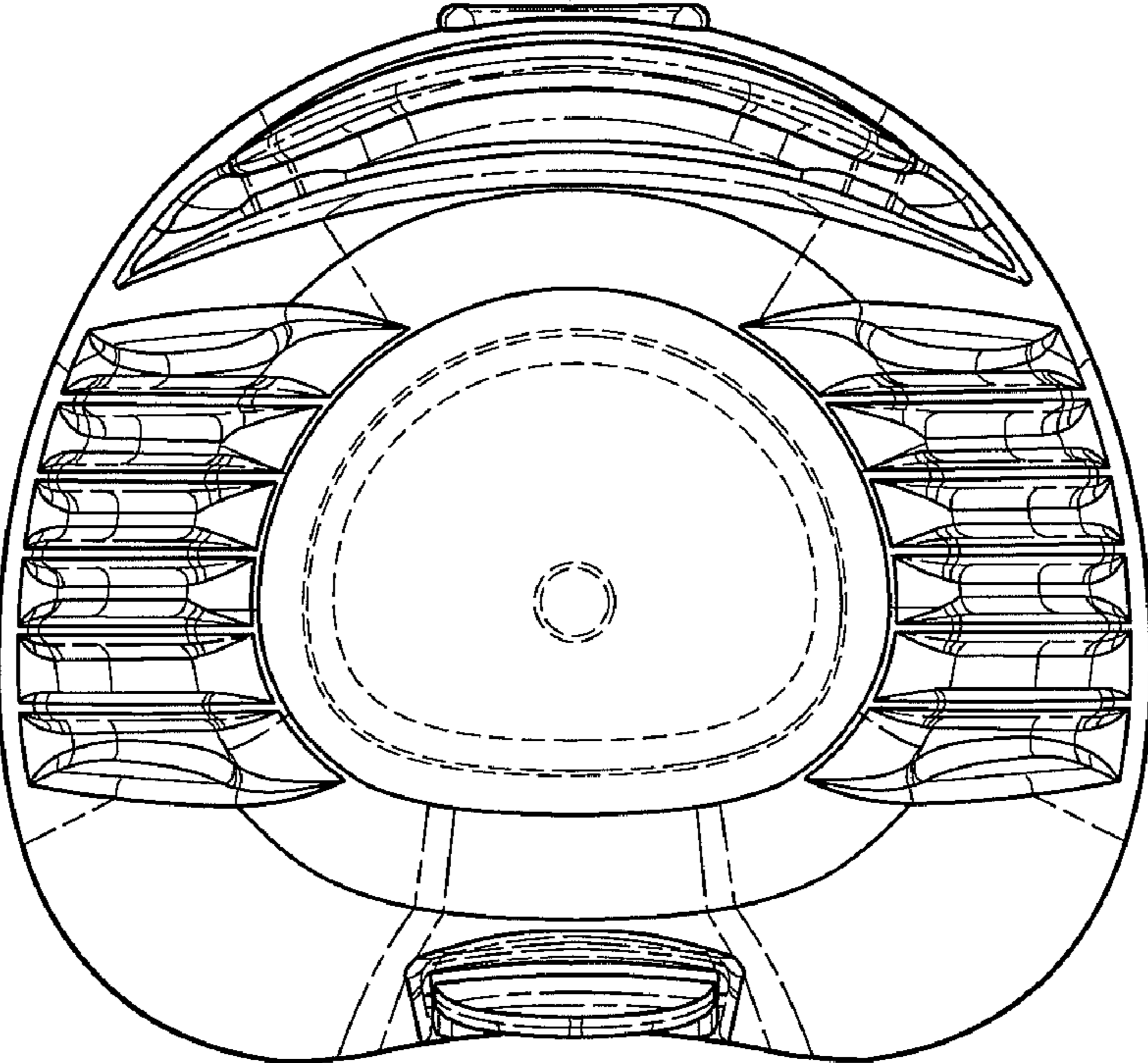


FIG. 9