



US00D581539S

(12) **United States Design Patent**  
**Rotter et al.**

(10) **Patent No.:** **US D581,539 S**

(45) **Date of Patent:** **\*\* \*Nov. 25, 2008**

(54) **ORTHOPEDIC SPLINT**

(75) Inventors: **Leah Rotter**, Los Angeles, CA (US);  
**Terrence J. Scanlan**, Los Angeles, CA  
(US)

(73) Assignee: **Lenjoy Medical Engineering, Inc.**,  
Gardena, CA (US)

(\*) Notice: This patent is subject to a terminal dis-  
claimer.

(\*\*) Term: **14 Years**

(21) Appl. No.: **29/259,894**

(22) Filed: **May 17, 2006**

(51) **LOC (8) Cl.** ..... **24-01**

(52) **U.S. Cl.** ..... **D24/190**

(58) **Field of Classification Search** ..... D24/190-3;  
602/4-6, 20, 27, 61-2, 79; 128/865-6, 878,  
128/876; 604/20-21; 24/442; D29/113;  
473/62; D6/601

See application file for complete search history.

(56) **References Cited**

U.S. PATENT DOCUMENTS

4,479,648	A *	10/1984	Alivo, Jr. ....	473/62
D295,897	S *	5/1988	Thimm-Kelly .....	D24/190
5,058,576	A *	10/1991	Grim et al. ....	602/21
D360,263	S *	7/1995	Holland .....	D24/190
6,120,471	A *	9/2000	Varn .....	602/21
6,293,918	B1 *	9/2001	Wang .....	602/20
6,328,706	B1 *	12/2001	Yattavong .....	602/21
6,398,748	B1 *	6/2002	Wilson .....	602/21
D461,600	S *	8/2002	Domanski et al. ....	D29/113
D477,088	S *	7/2003	Brown et al. ....	D24/190
D528,214	S *	9/2006	Binet .....	D24/190

\* cited by examiner

*Primary Examiner*—Louis S. Zarfaz  
*Assistant Examiner*—Susan E. Krakower  
(74) *Attorney, Agent, or Firm*—Natan Epstein

(57) **CLAIM**

The ornamental design for orthopedic splint, as shown and described.

**DESCRIPTION**

FIG. 1 is a side perspective view of an orthopedic splint according to this invention, shown as typically worn on a patient's wrist drawn in phantom lining;

FIG. 2 is a front view thereof, shown with straps wrapped about the splint;

FIG. 3 is a top end view thereof;

FIG. 4 is a right side view thereof;

FIG. 5 is a left side view thereof;

FIG. 6 is a rear view thereof;

FIG. 7 is a bottom end view thereof;

FIG. 8 is a perspective view thereof shown with straps laid flat;

FIG. 9 is a front view thereof;

FIG. 10 is a top end view thereof;

FIG. 11 is a right side view thereof;

FIG. 12 is a left side view thereof;

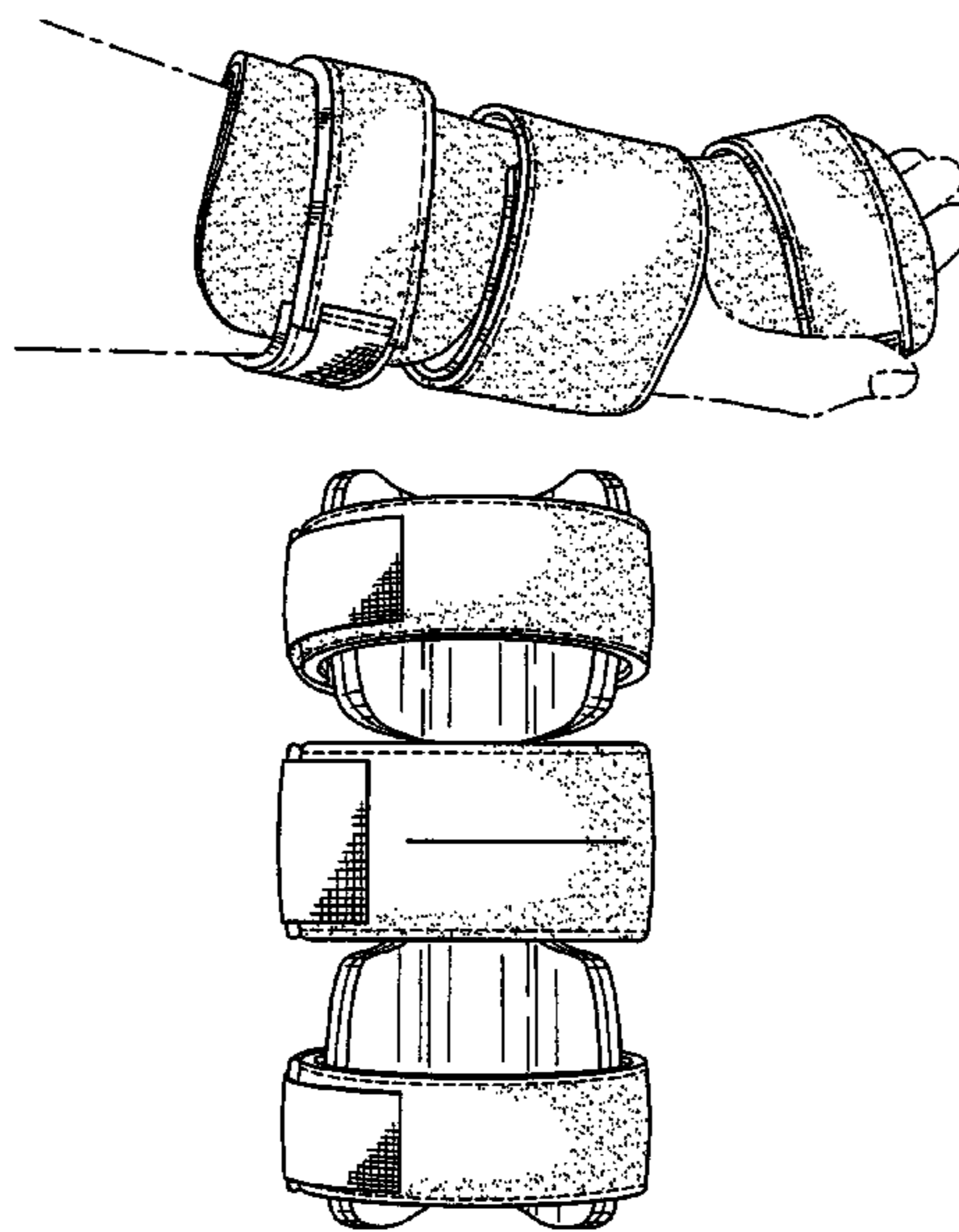
FIG. 13 is a rear view thereof;

FIG. 14 is a bottom end view thereof; and,

FIG. 15 is an exploded perspective view thereof with detached straps.

The broken line showing of an arm and hand in FIG. 1 is included for the purpose of illustrating environmental structure and forms no part of the claimed design.

**1 Claim, 9 Drawing Sheets**



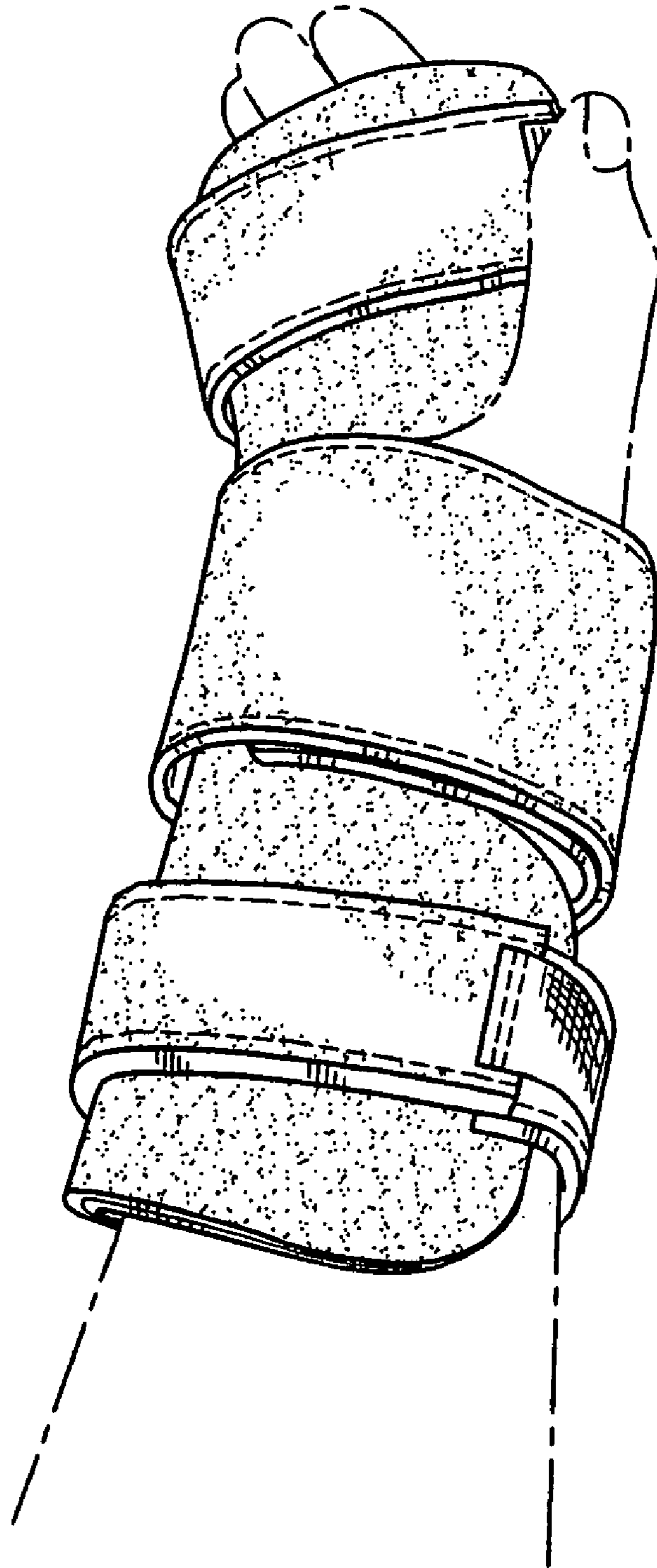
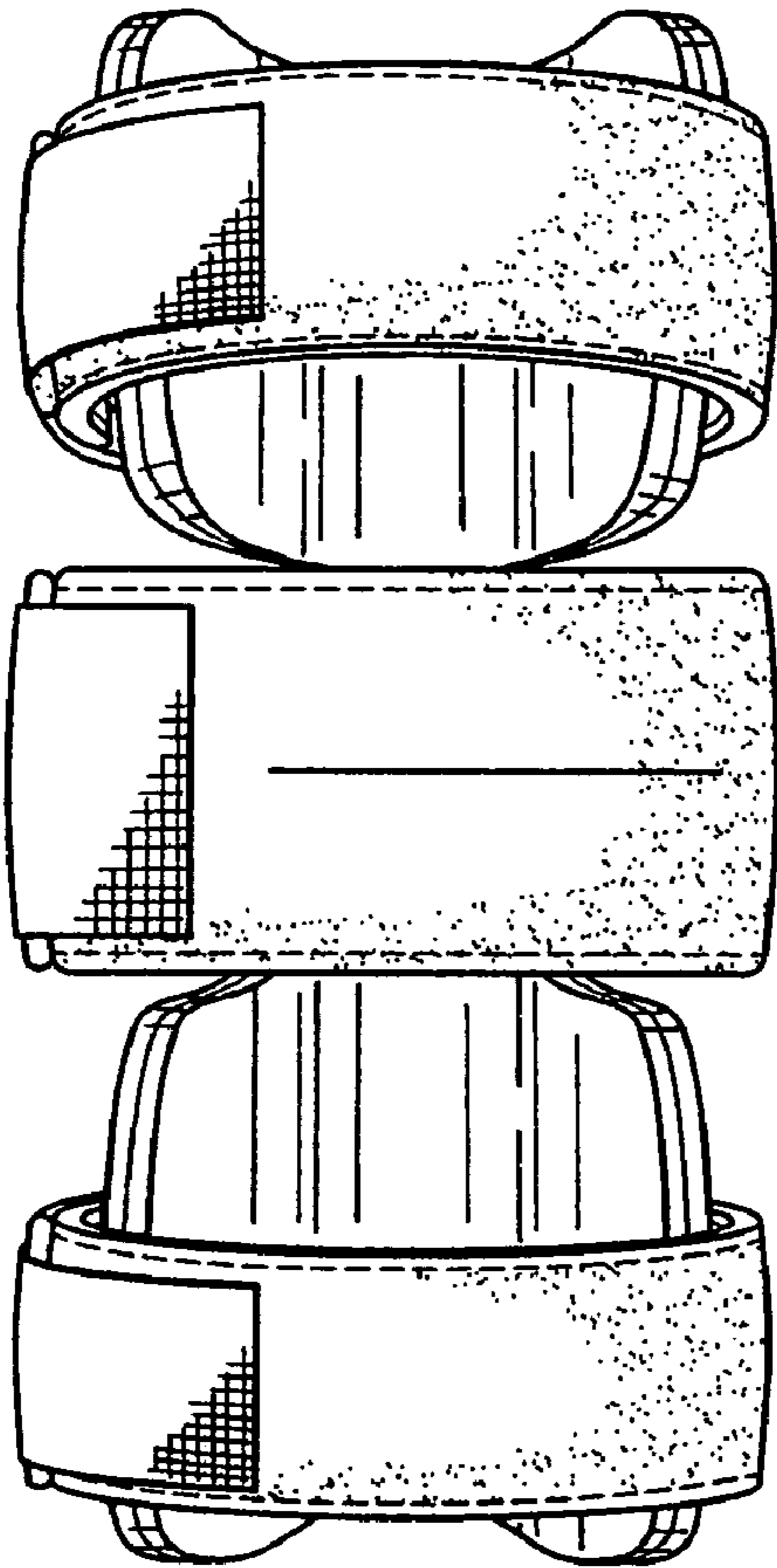
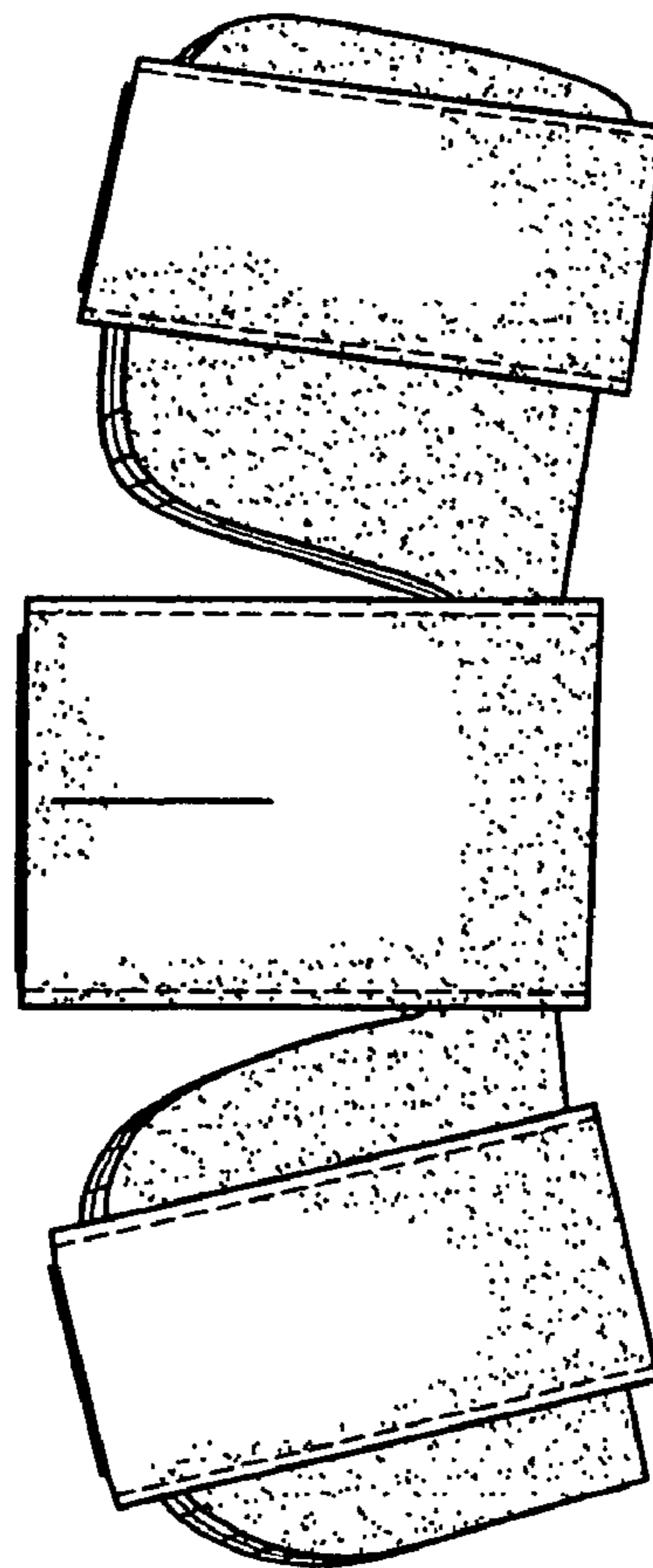


FIG. 1

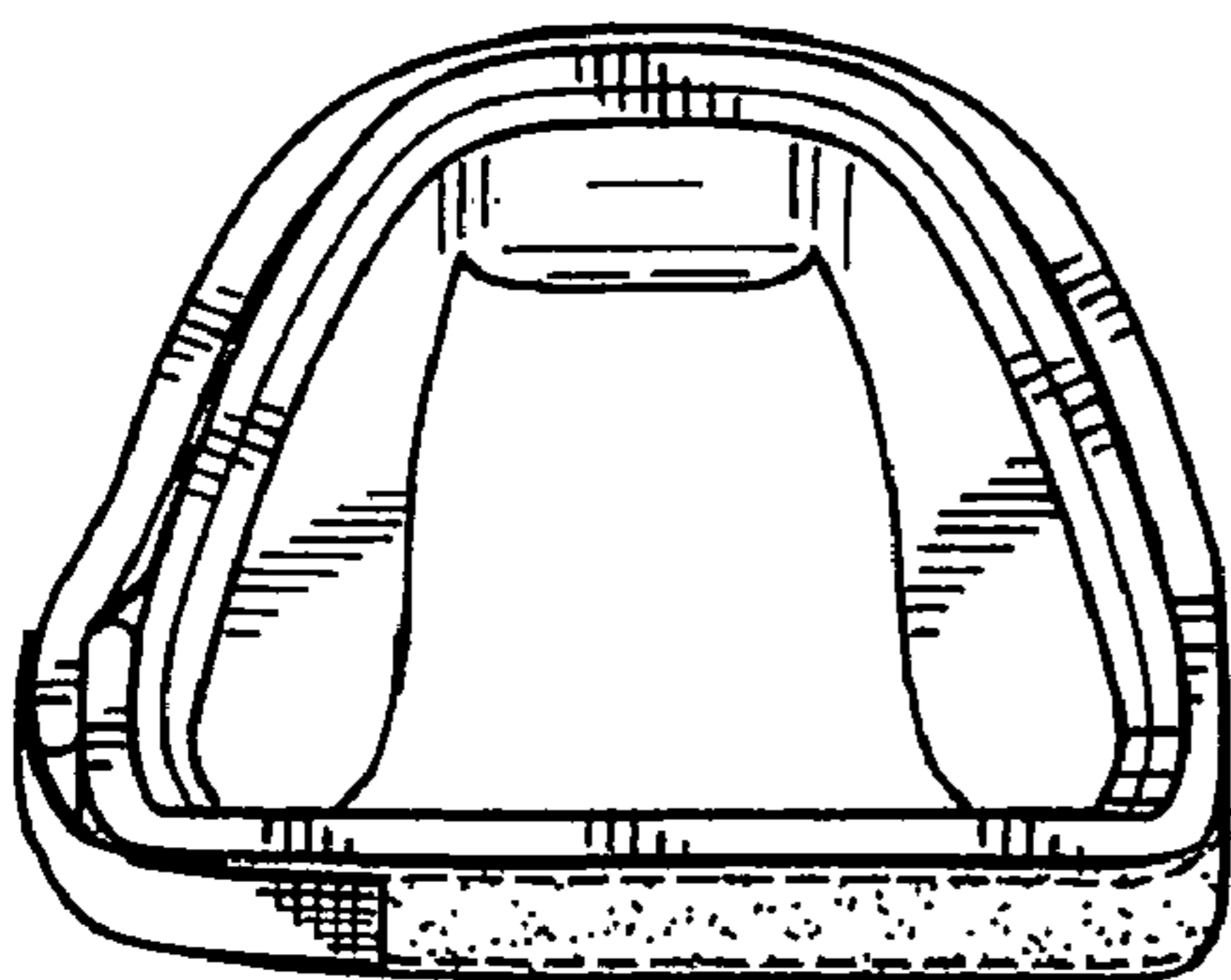


**FIG. 2**

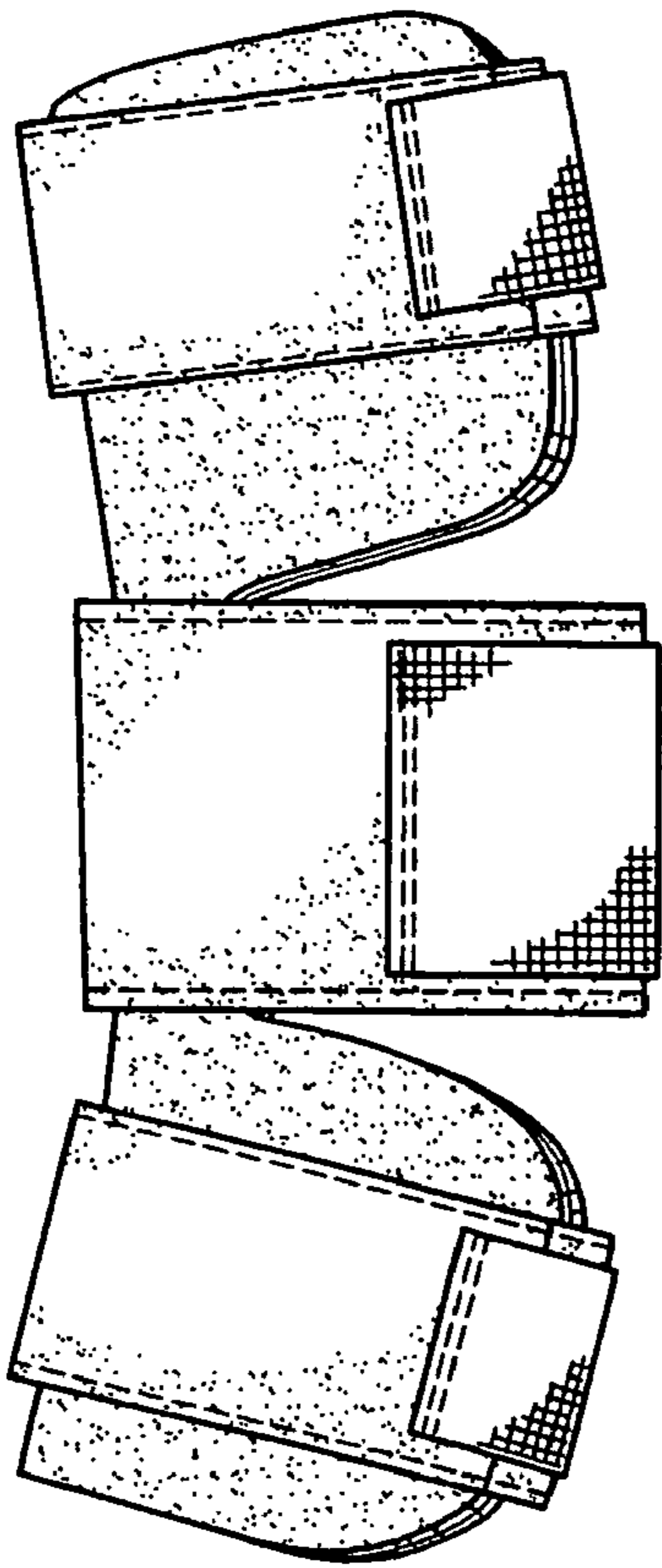
**FIG. 4**



**FIG. 3**

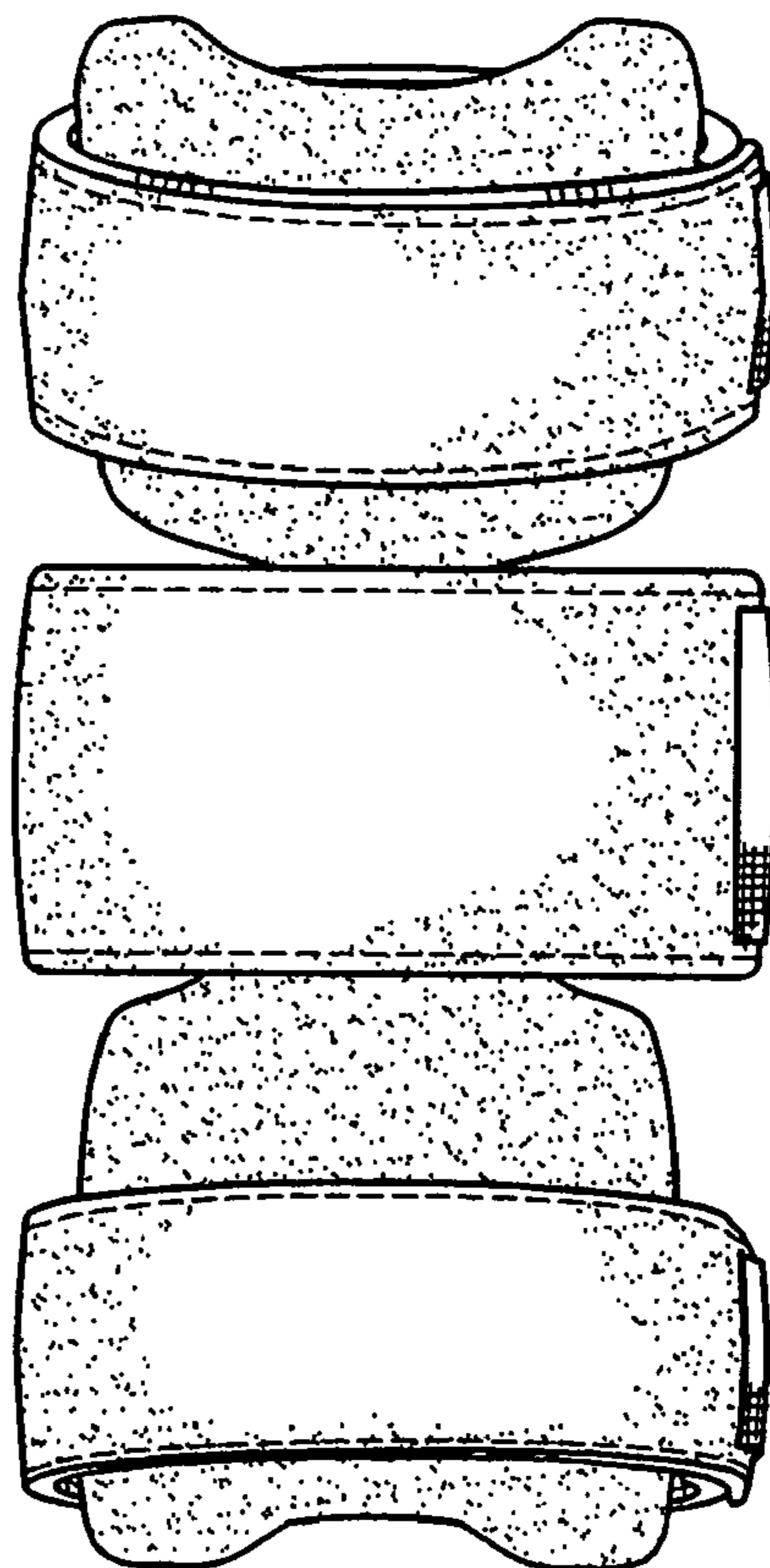




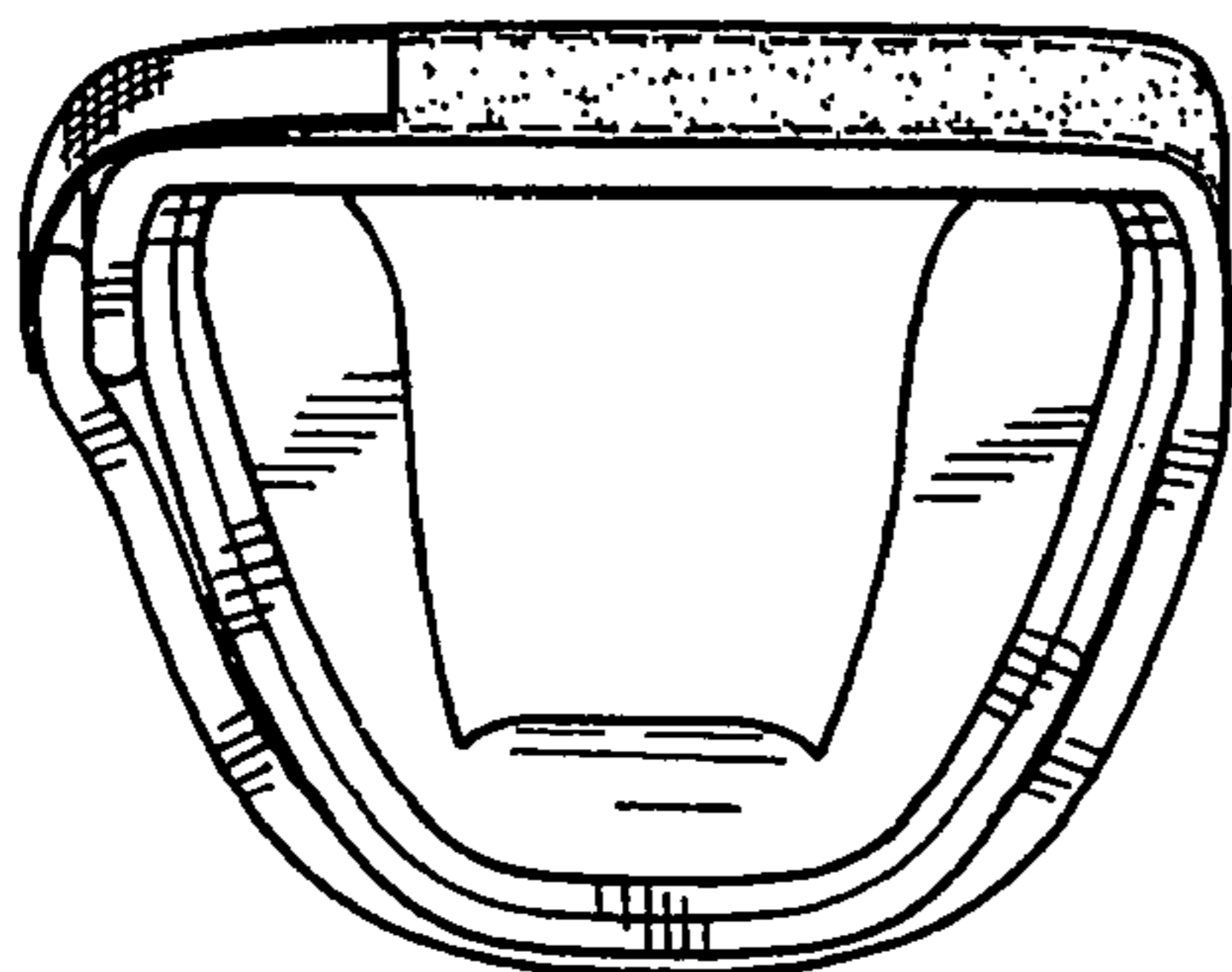


**FIG. 5**

**FIG. 6**



**FIG. 7**



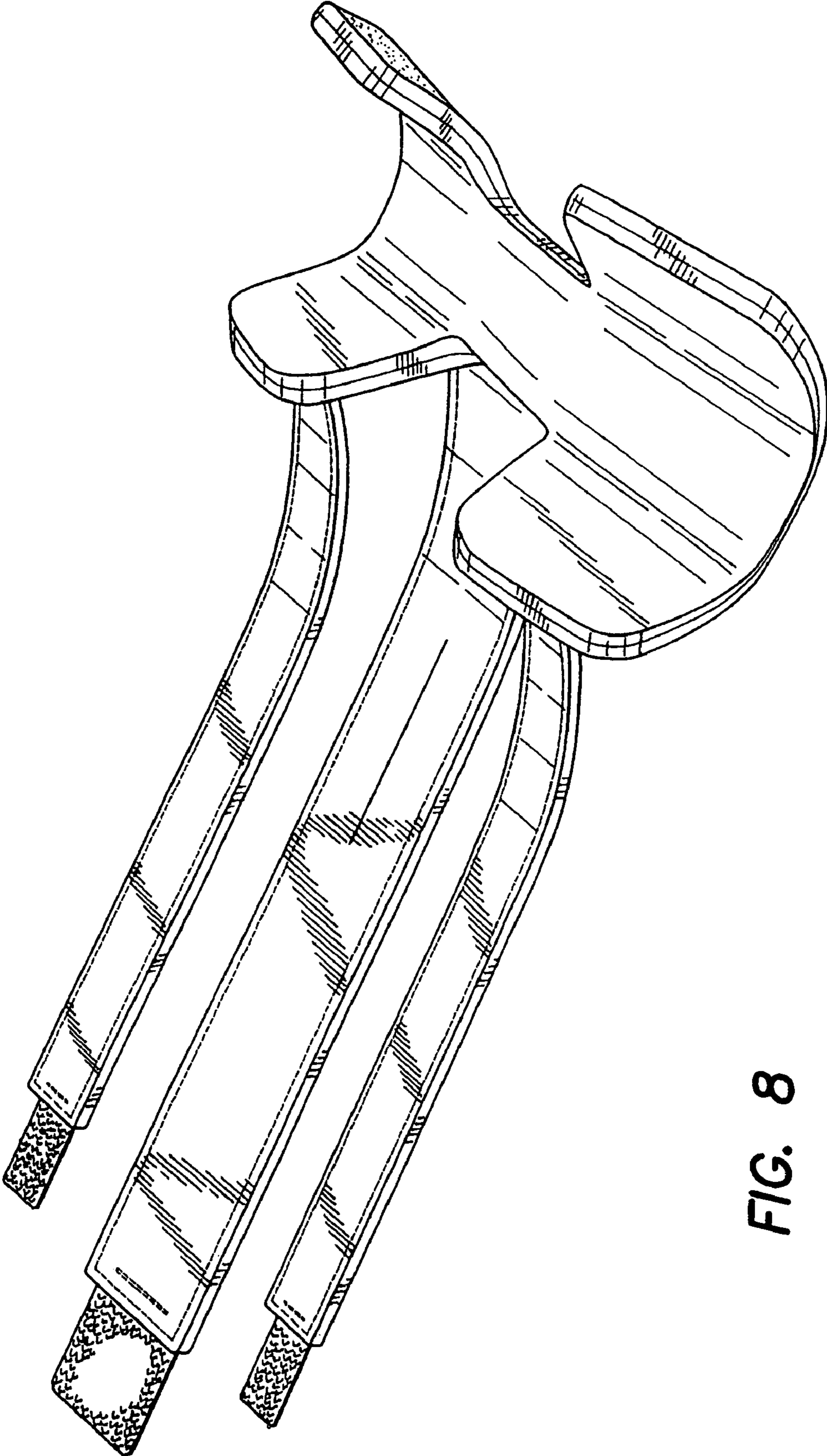


FIG. 8

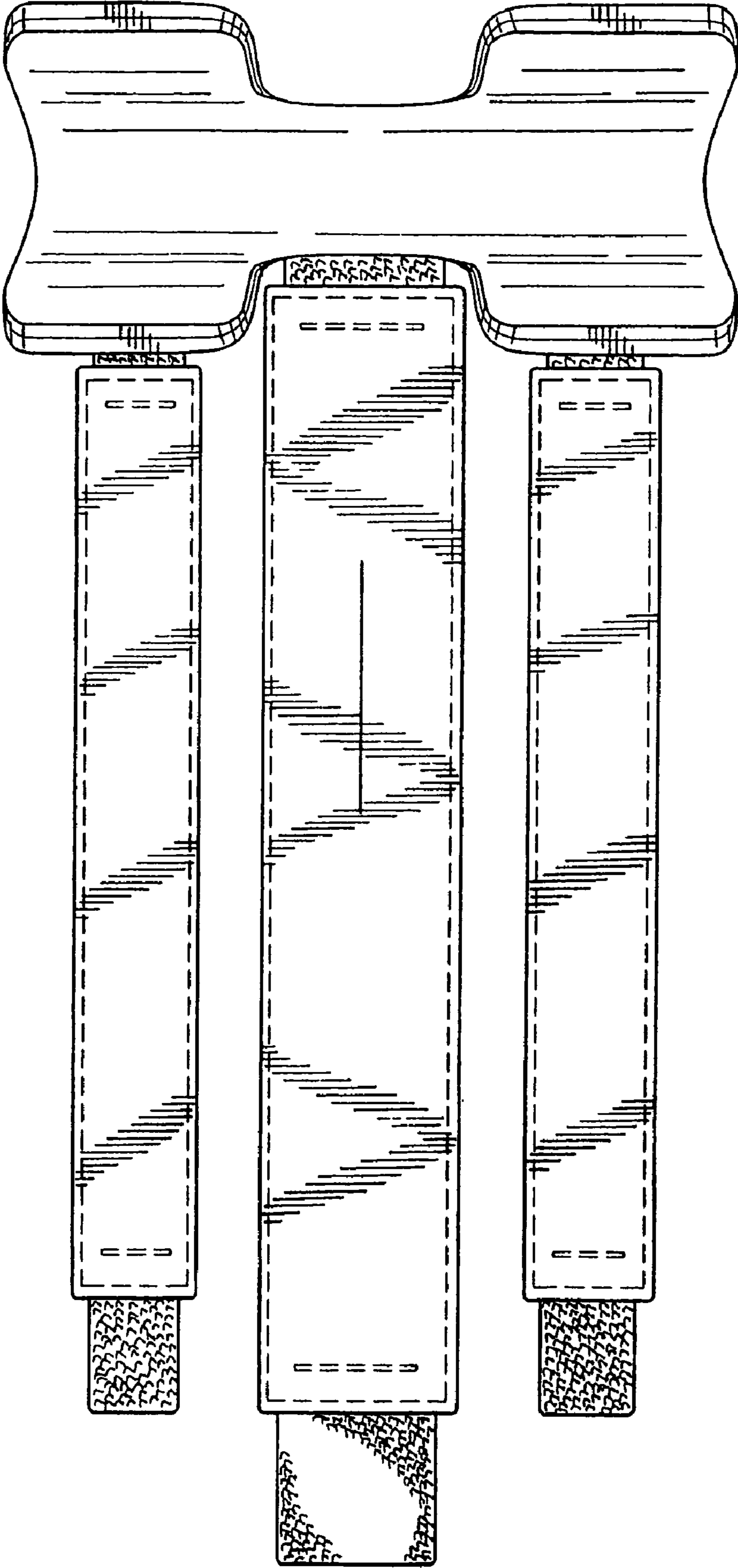
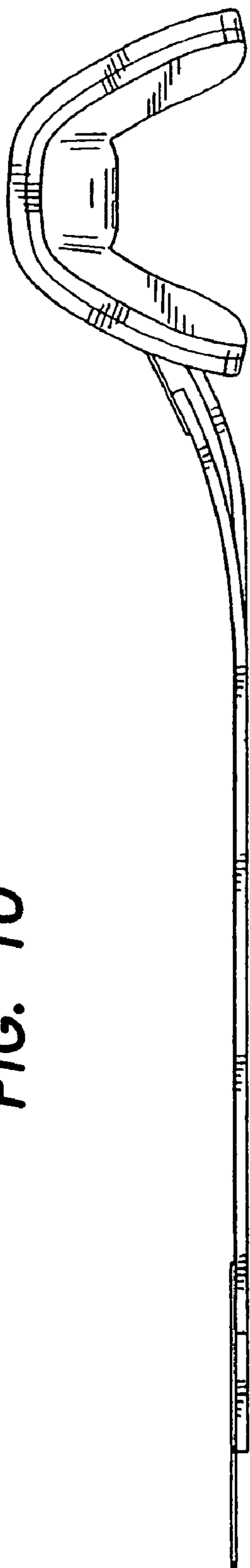
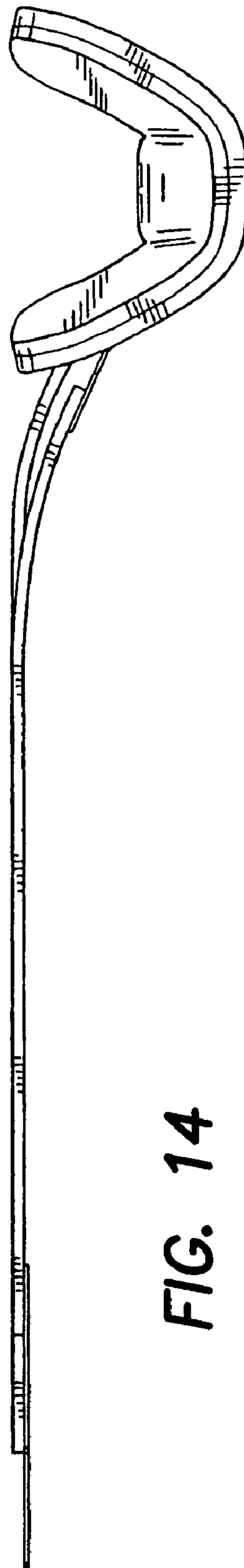


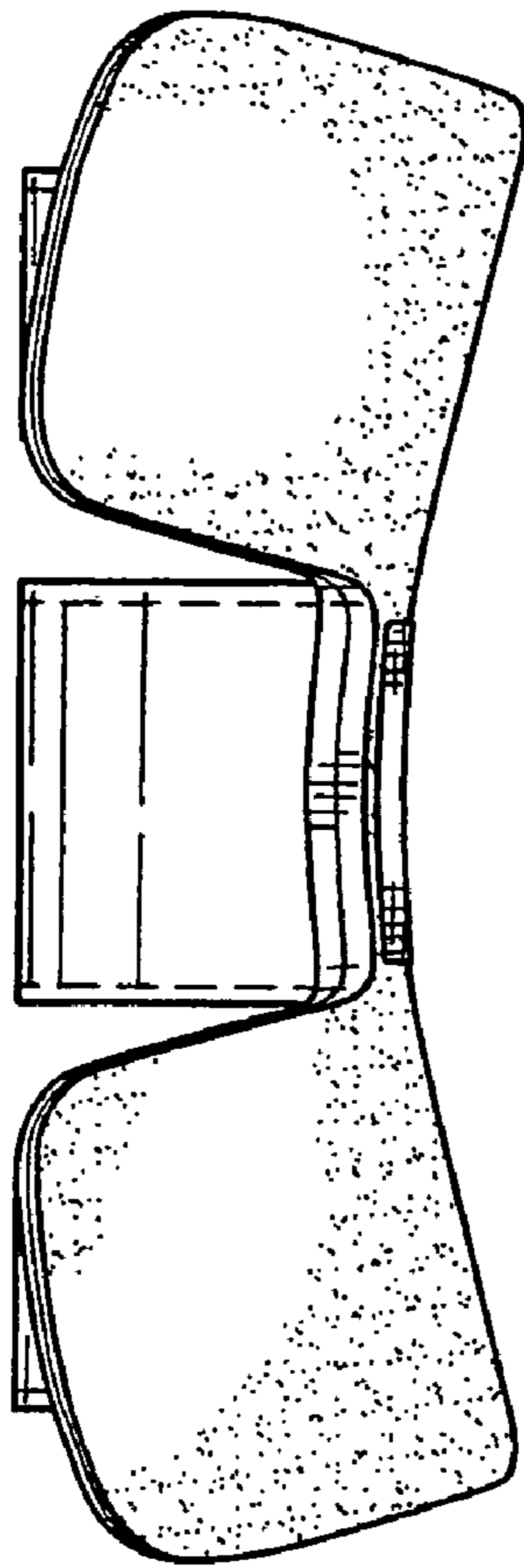
FIG. 9

**FIG. 10**

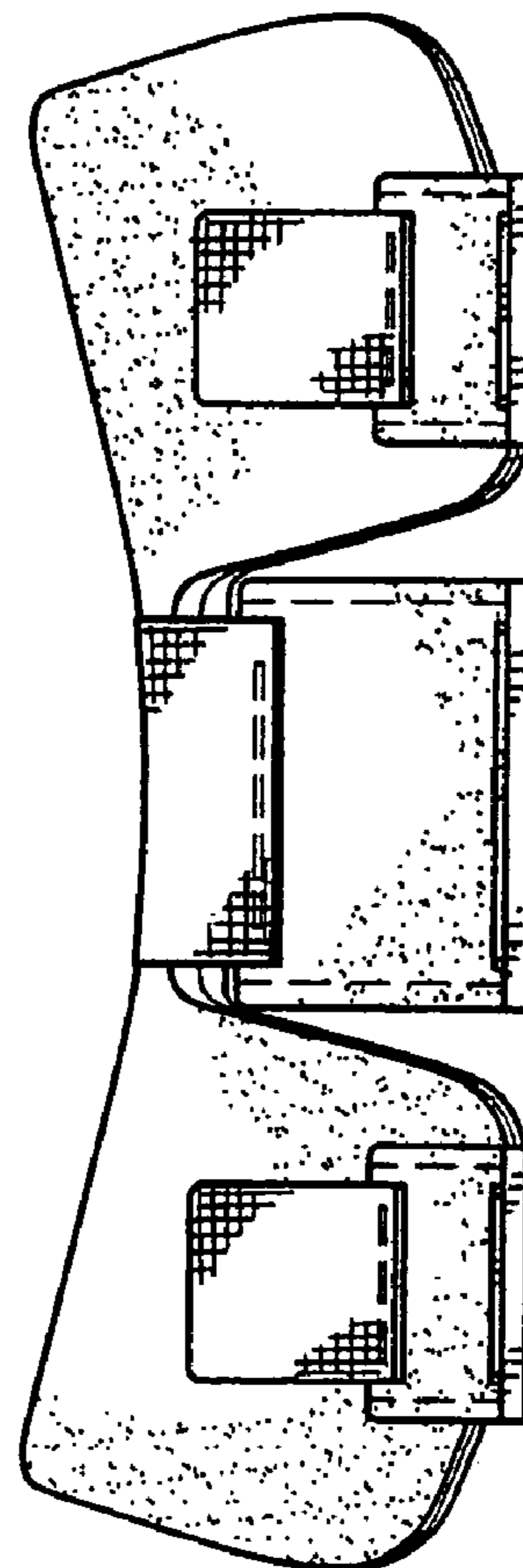


**FIG. 14**





**FIG. 11**



**FIG. 12**



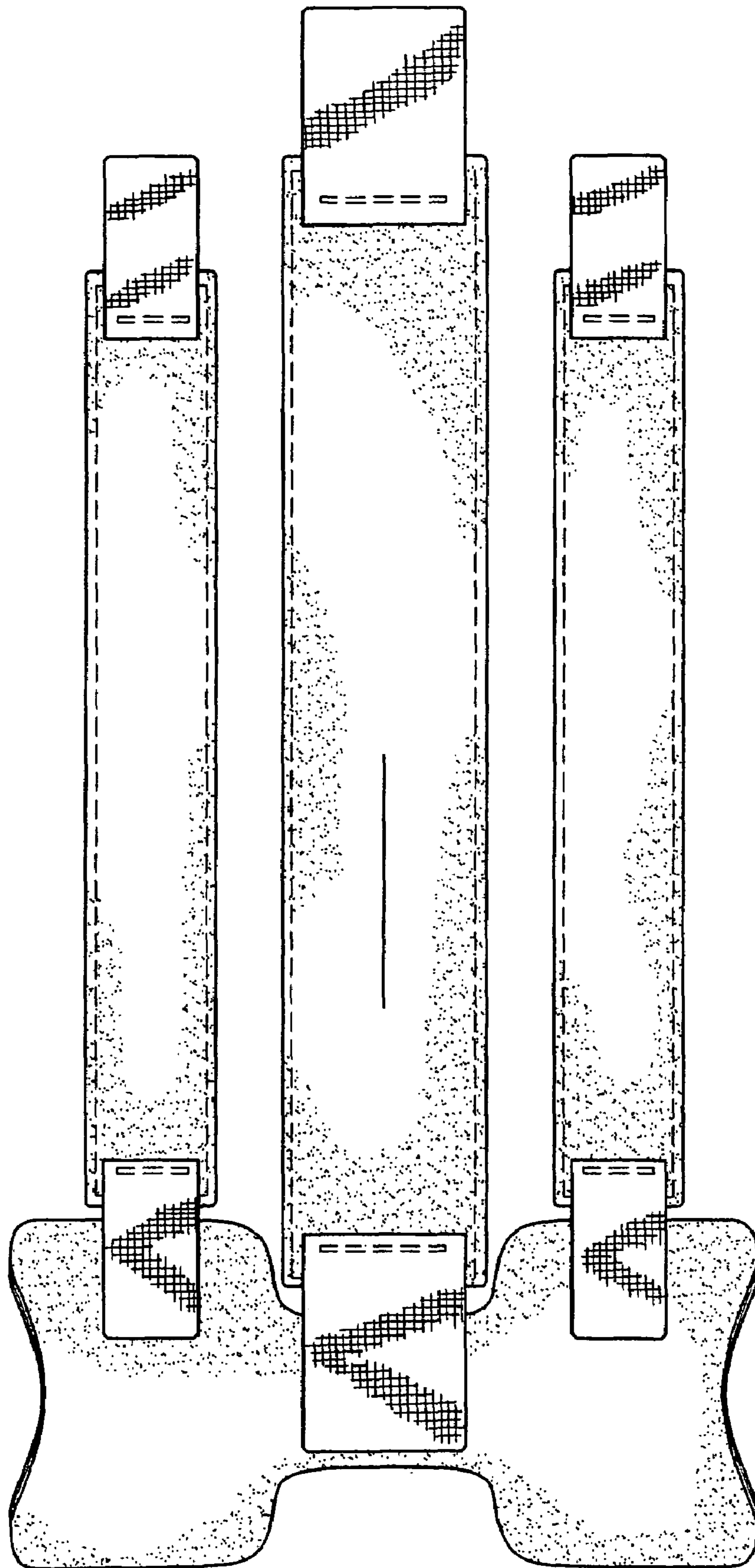


FIG. 13

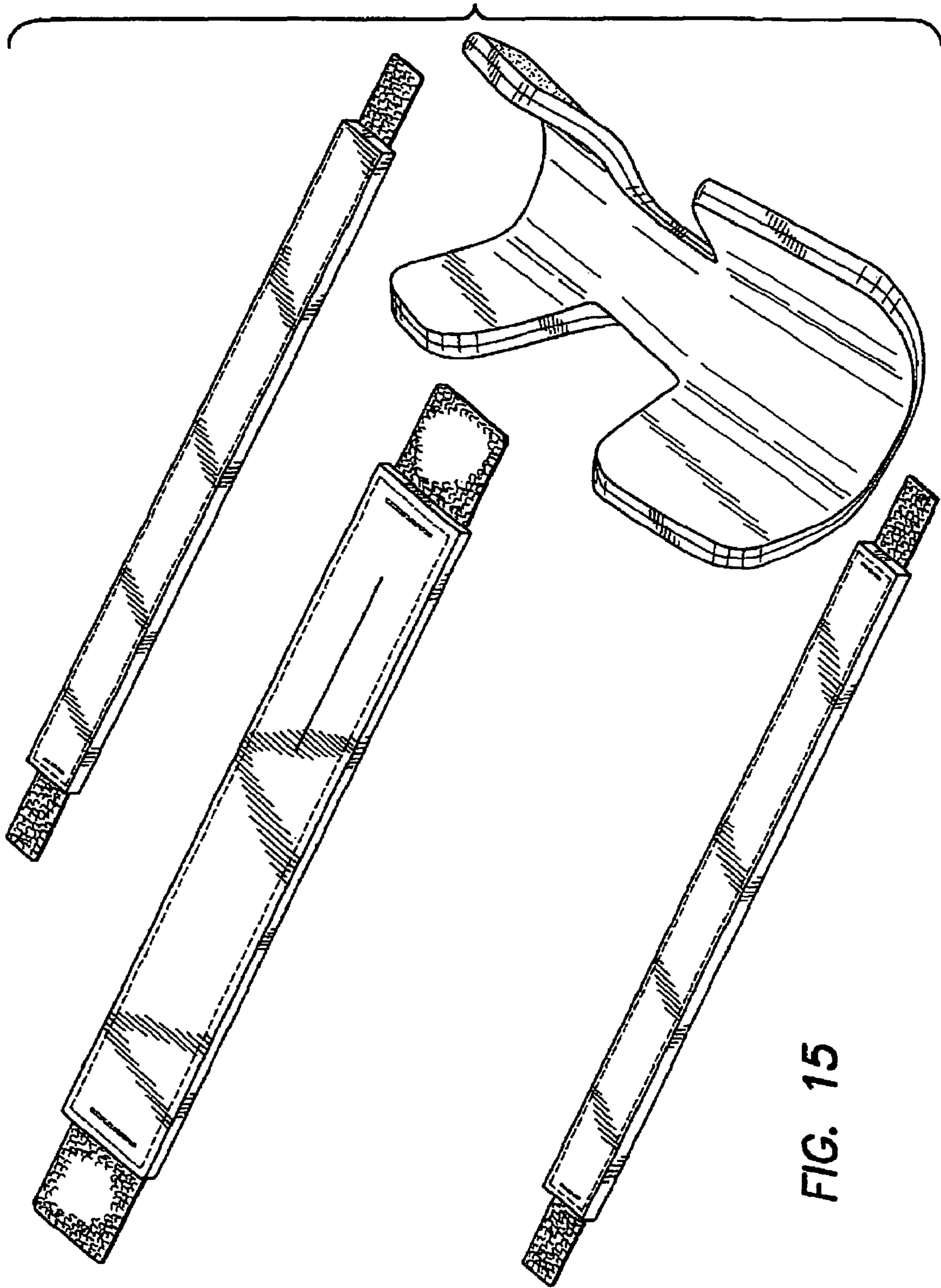


FIG. 15