



US00D581533S

(12) **United States Design Patent**
Ruf et al.

(10) **Patent No.:** **US D581,533 S**
(45) **Date of Patent:** **** Nov. 25, 2008**

(54) **MULTI-LANCET LANCING DEVICE**

(75) Inventors: **Christopher John Ruf**, Marietta, GA (US); **David R. Buenger**, Roswell, GA (US); **Michael V. Lipoma**, Villa Rica, GA (US); **David Caleb Hernandez**, Mableton, GA (US)

(73) Assignee: **Facet Technologies, LLC**, Kennesaw, GA (US)

(**) Term: **14 Years**

(21) Appl. No.: **29/281,992**

(22) Filed: **Jul. 9, 2007**

Related U.S. Application Data

(63) Continuation-in-part of application No. 11/571,378, filed on Dec. 28, 2006, and a continuation-in-part of application No. 11/107,984, filed on Apr. 15, 2005, now Pat. No. 7,377,904.

(51) **LOC (8) Cl.** **24-02**

(52) **U.S. Cl.** **D24/146**

(58) **Field of Classification Search** D24/146, D24/147; 606/181, 182, 184, 185

See application file for complete search history.

(56) **References Cited**

U.S. PATENT DOCUMENTS

4,794,926	A	1/1989	Munsch et al.	
D342,573	S *	12/1993	Cerola	D24/147
5,395,388	A *	3/1995	Schrage	606/182
D376,203	S *	12/1996	Schrage	D24/146
6,228,100	B1	5/2001	Schrage	

6,530,892	B1	3/2003	Kelly	
7,041,068	B2	5/2006	Freeman et al.	
7,150,755	B2 *	12/2006	LeVaughn et al.	606/181
7,299,081	B2	11/2007	Mace et al.	
2005/0154410	A1	7/2005	Conway et al.	
2005/0234494	A1 *	10/2005	Conway et al.	606/181
2006/0178600	A1	8/2006	Kennedy et al.	
2006/0224172	A1 *	10/2006	LeVaughn et al.	606/181
2006/0235454	A1 *	10/2006	LeVaughn et al.	606/181

* cited by examiner

Primary Examiner—Ian Simmons

Assistant Examiner—Christopher Lee

(74) *Attorney, Agent, or Firm*—Gardner Groff Greenwald & Villanueva, PC

(57) **CLAIM**

The ornamental design for a multi-lancet lancing device, substantially as shown and described.

DESCRIPTION

FIG. 1 is a perspective view of a multi-lancet lancing device of the present invention.

FIG. 2 is a bottom view thereof.

FIG. 3 is a top plan view thereof.

FIG. 4 is a right side view thereof.

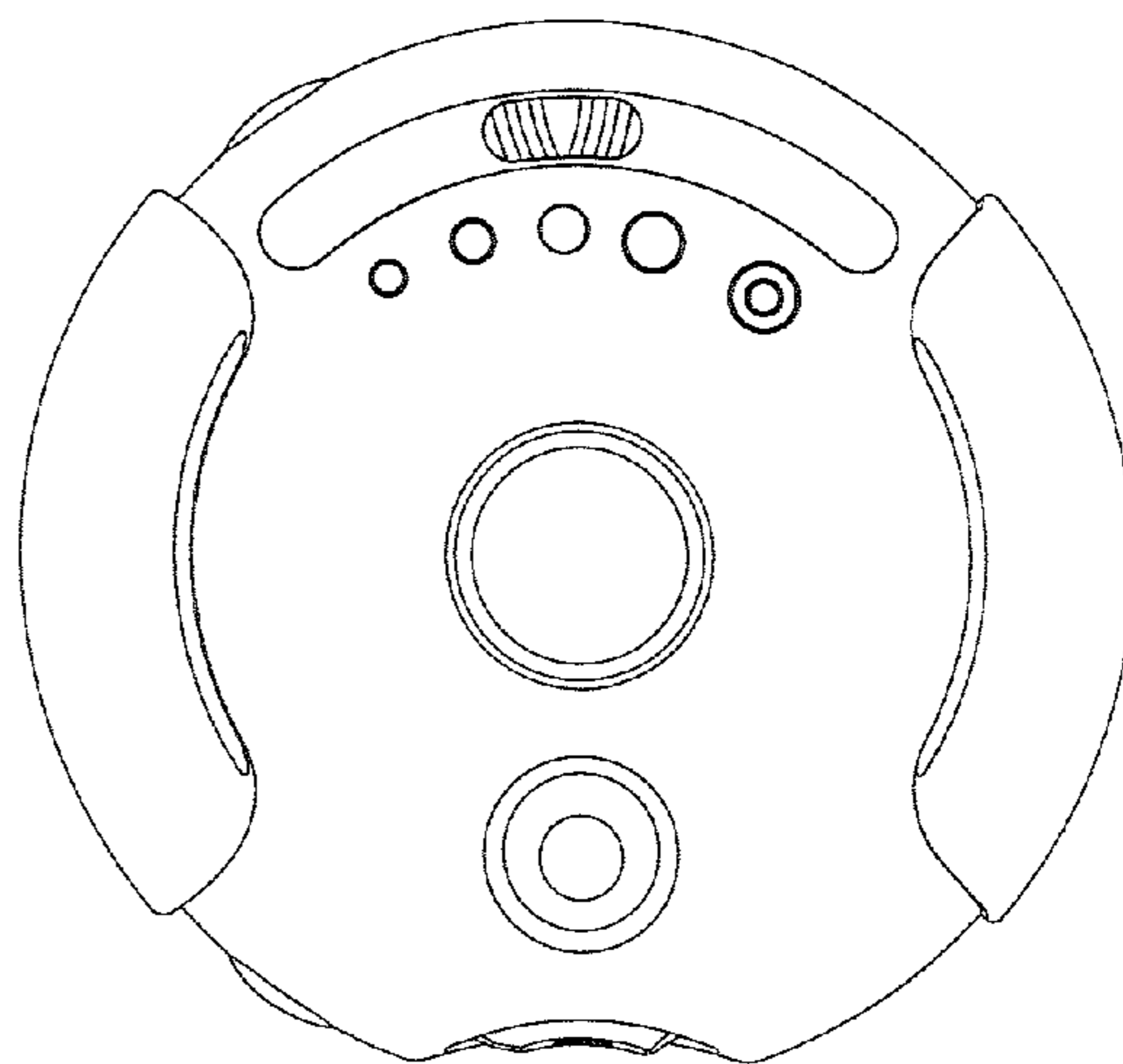
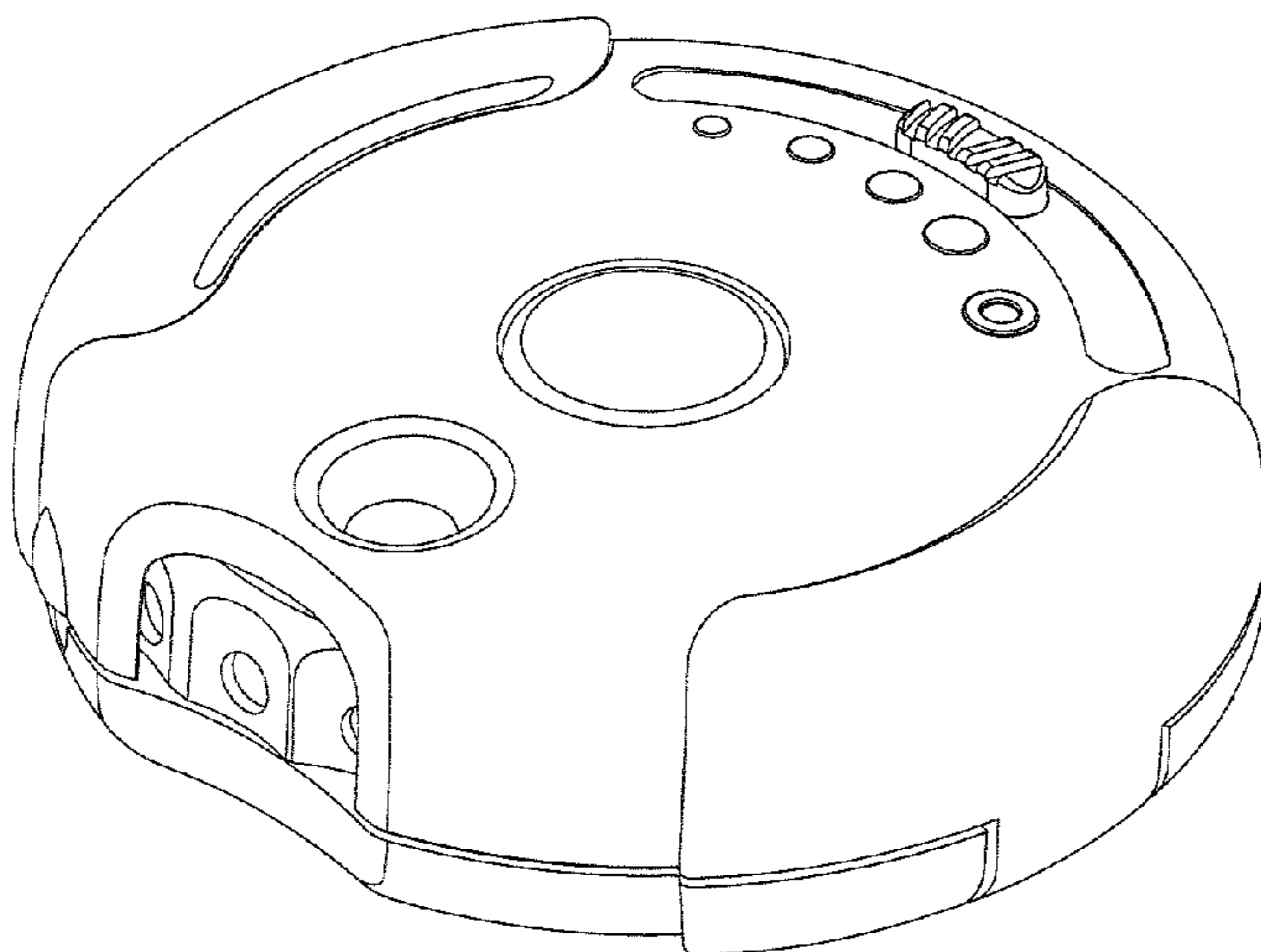
FIG. 5 is a left side view thereof.

FIG. 6 is a front elevational view thereof; and,

FIG. 7 is a rear elevational view thereof.

The broken lines in various of the figures are for illustrative purposes only and form no part of the claimed design.

1 Claim, 2 Drawing Sheets



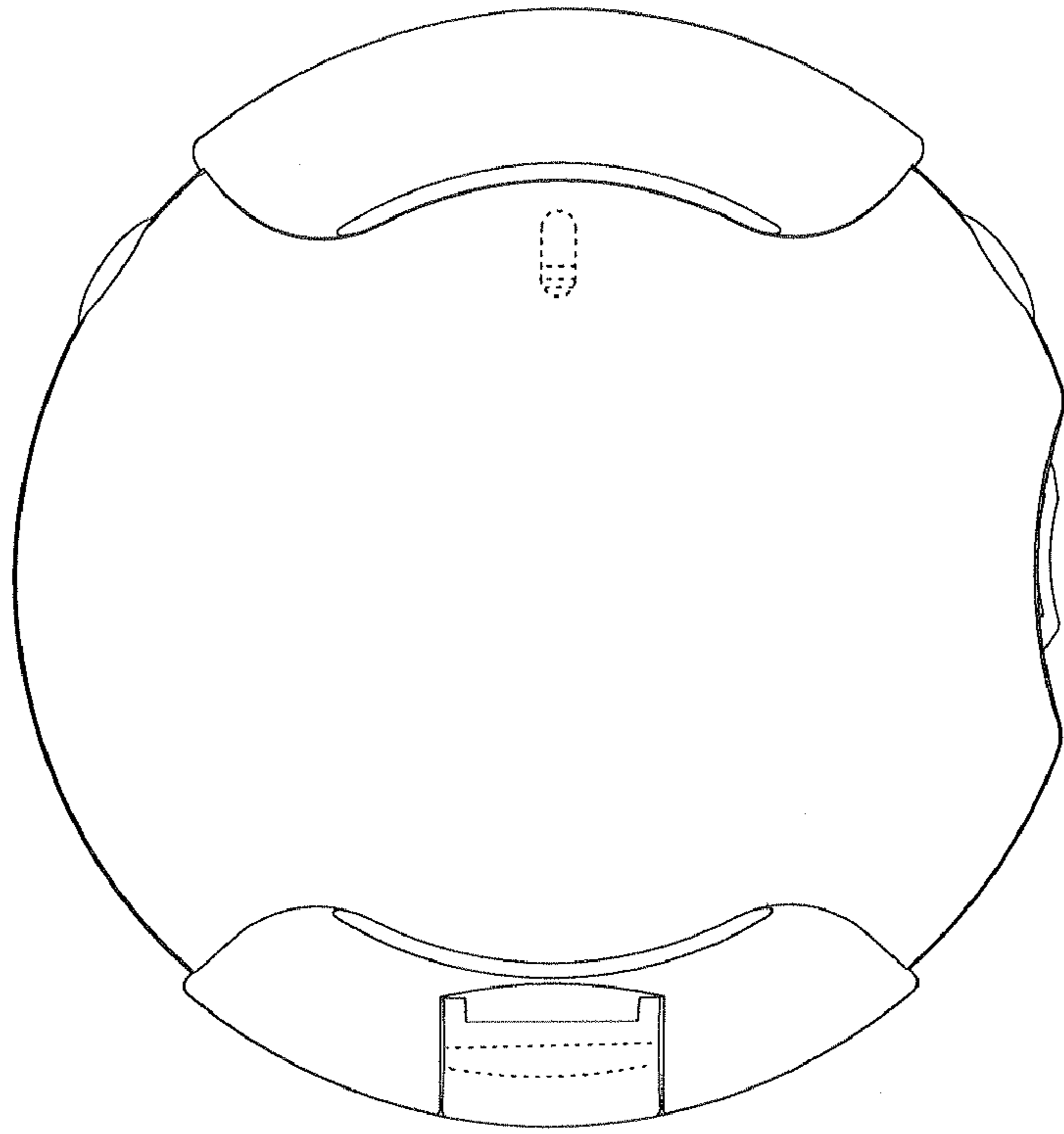


Fig. 2

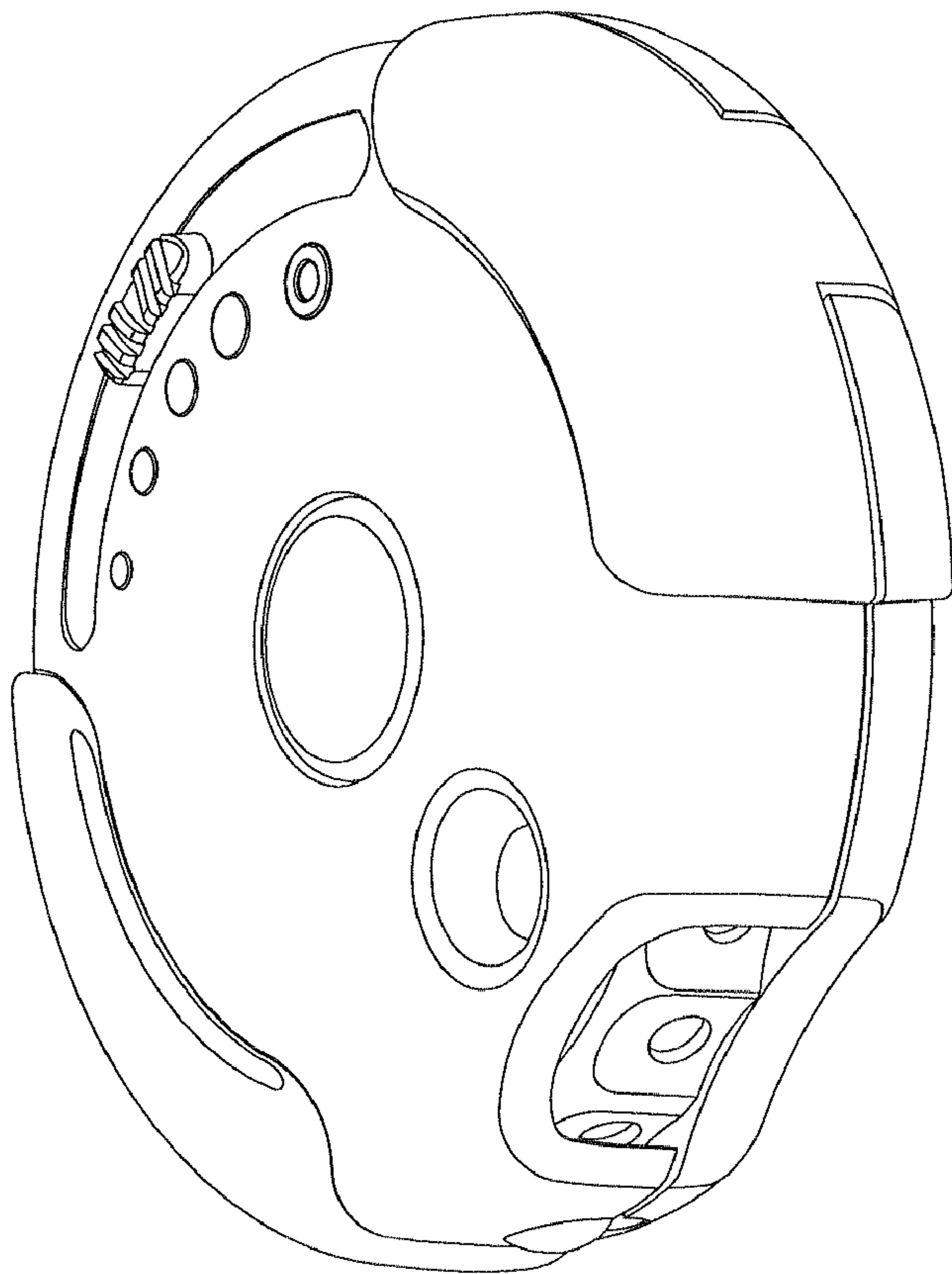


Fig. 1

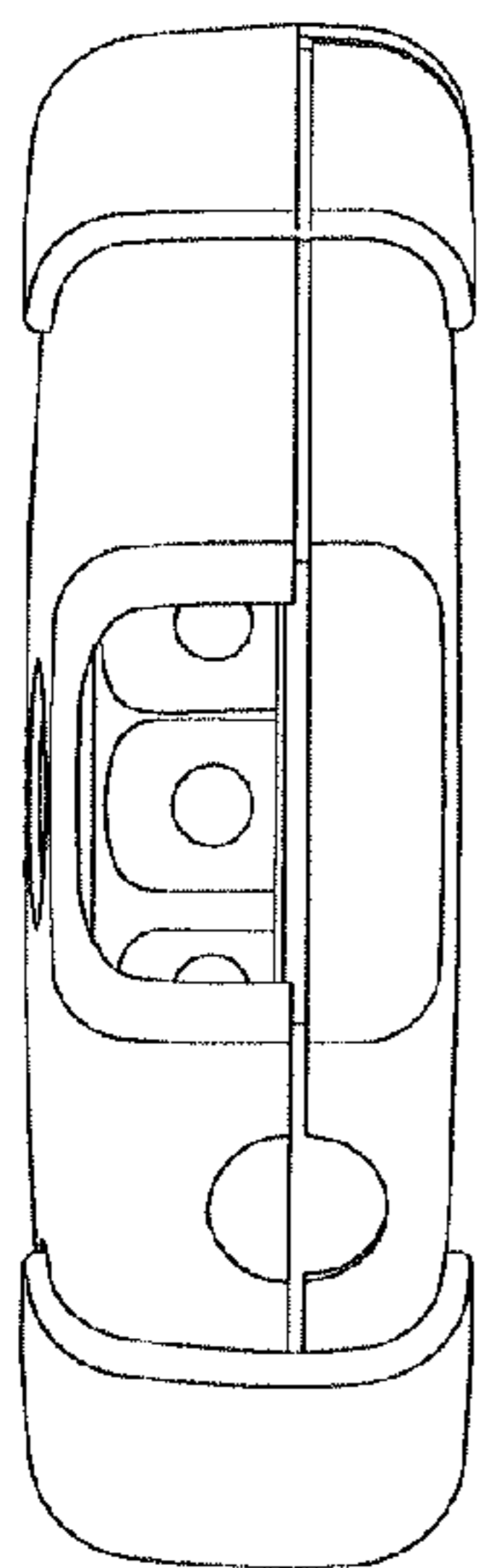


Fig. 6

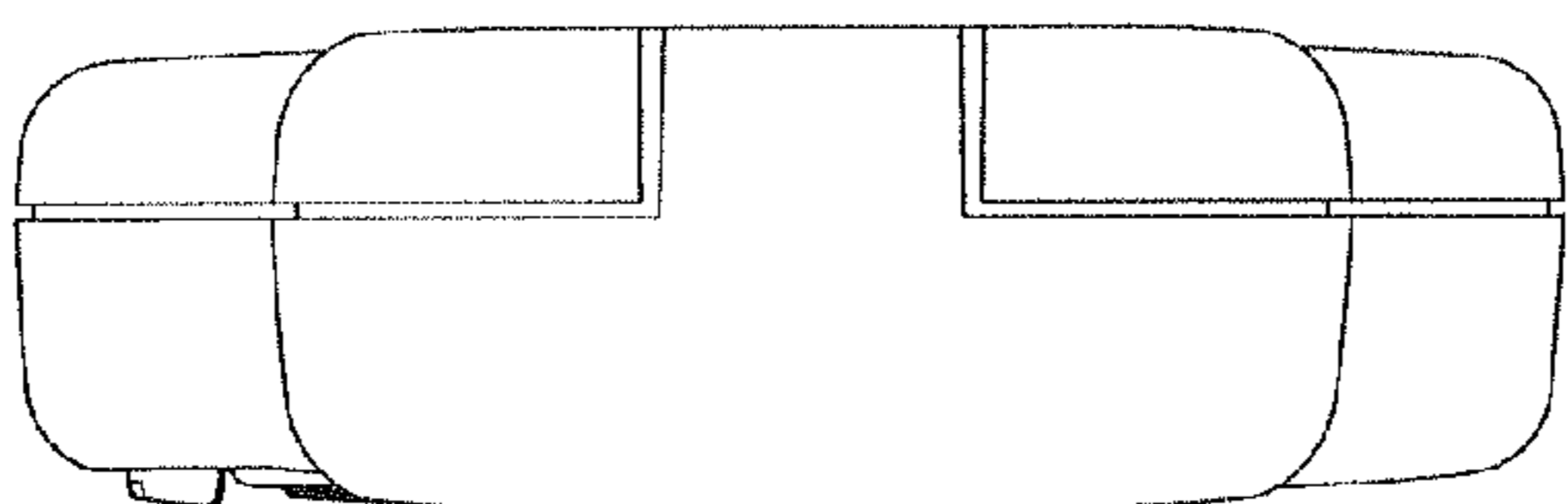


Fig. 4

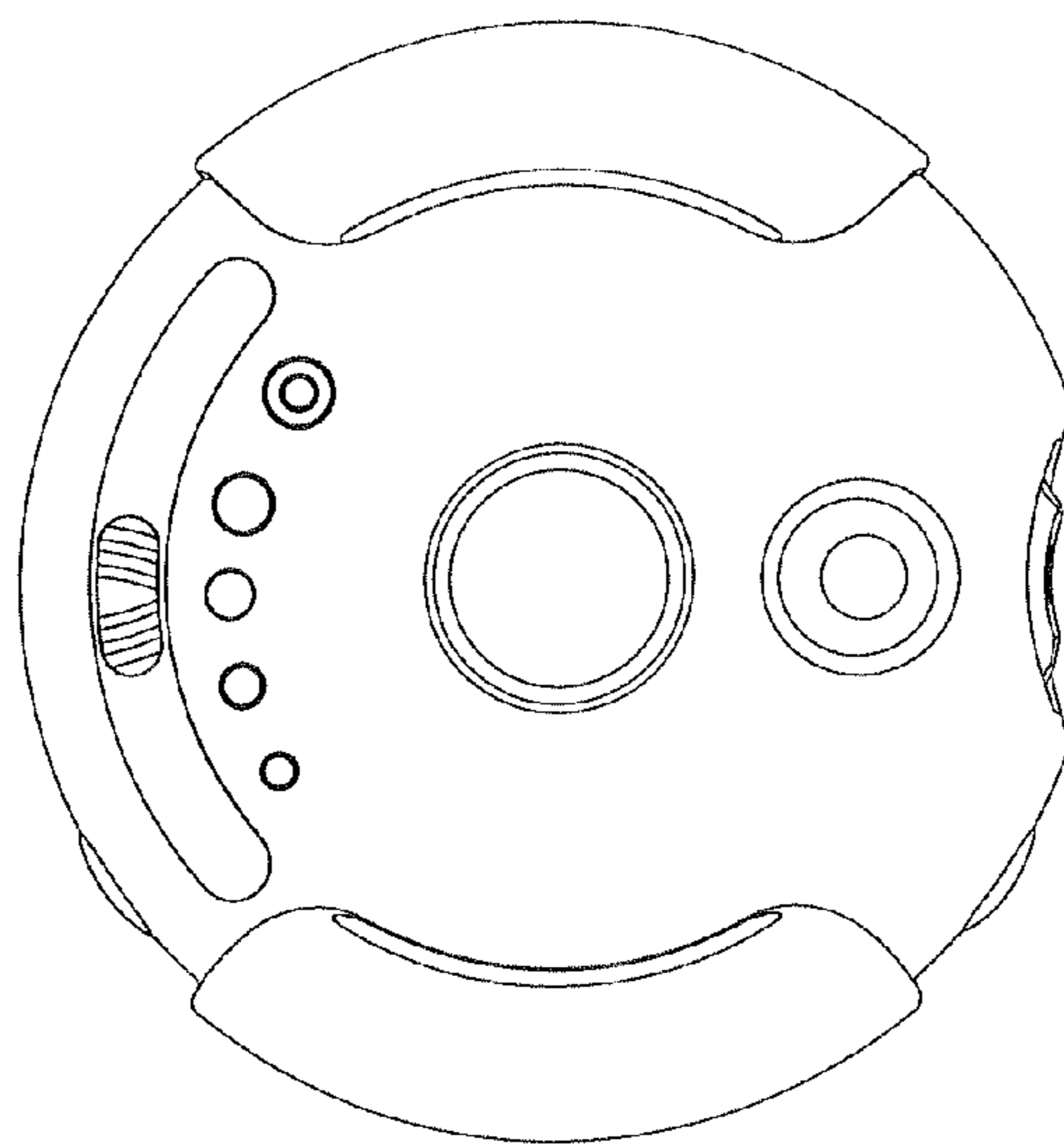


Fig. 3

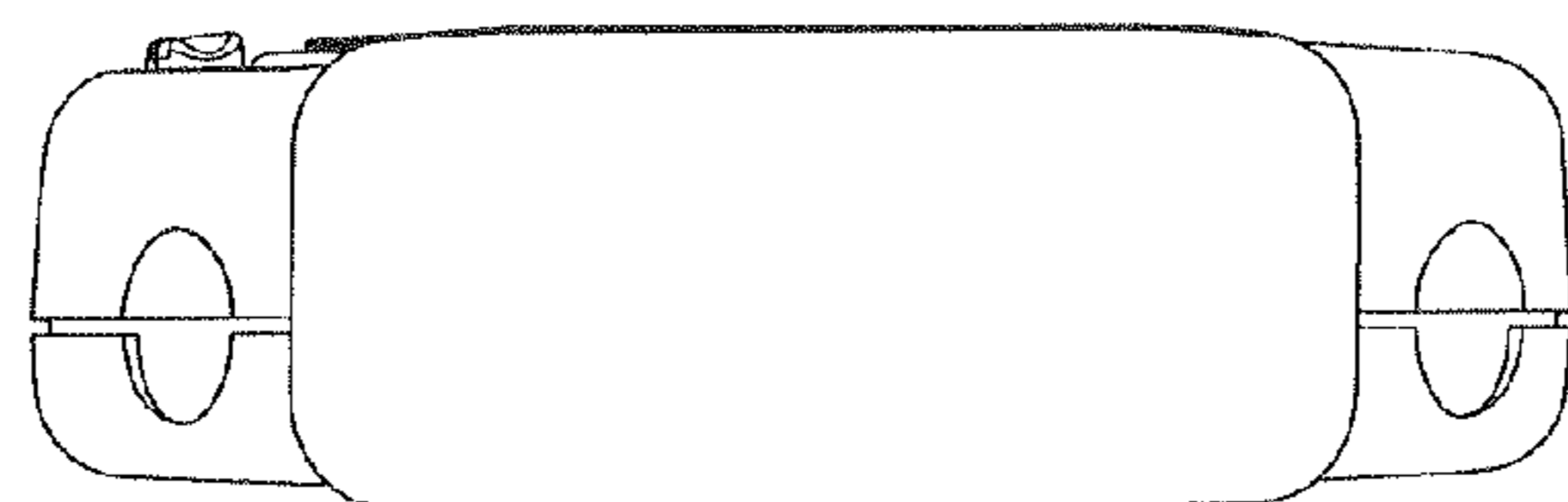


Fig. 5

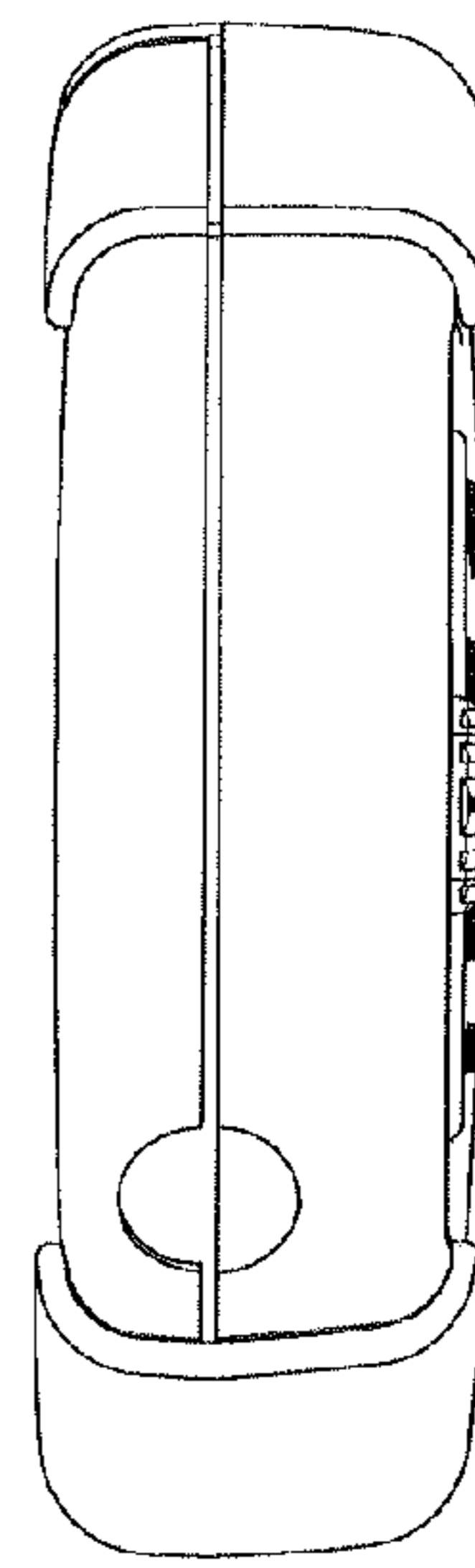


Fig. 7