



US00D581532S

(12) **United States Design Patent**
Cranton et al.

(10) **Patent No.:** **US D581,532 S**

(45) **Date of Patent:** **** Nov. 25, 2008**

(54) **LARYNGOSCOPE BLADE**

(75) Inventors: **George D. Cranton**, St. Petersburg, FL (US); **Barry L. Wall**, St. Petersburg, FL (US)

(73) Assignee: **Azimuth Corporation**, Largo, FL (US)

(**) Term: **14 Years**

(21) Appl. No.: **29/285,236**

(22) Filed: **Mar. 26, 2007**

(51) **LOC (8) Cl.** **24-02**

(52) **U.S. Cl.** **D24/137**

(58) **Field of Classification Search** D24/137,
D24/138; 600/184-199

See application file for complete search history.

(56) **References Cited**

U.S. PATENT DOCUMENTS

D337,384 S *	7/1993	Schucman	D24/138
6,719,688 B2 *	4/2004	Pecherer et al.	600/199
D491,267 S *	6/2004	Ashraf	D24/137
D547,449 S *	7/2007	Ashraf	D24/137
2003/0120131 A1 *	6/2003	Pecherer et al.	600/199
2007/0129606 A1 *	6/2007	Pecherer	600/193

* cited by examiner

Primary Examiner—Ian Simmons

Assistant Examiner—Carissa C Fitts

(74) *Attorney, Agent, or Firm*—J. David Haynes

(57) **CLAIM**

The ornamental design for a laryngoscope blade, as shown and described.

DESCRIPTION

FIG. 1 is a right side view of the laryngoscope blade;

FIG. 2 is a left side view of the laryngoscope blade;

FIG. 3 is a left end view of the laryngoscope blade of FIG. 1;

FIG. 4 is a right end view of the heel of the laryngoscope blade of FIG. 1;

FIG. 5 is a top view of the laryngoscope blade;

FIG. 6 is bottom view of the laryngoscope blade;

FIG. 7 is a perspective view of the left side of the laryngoscope blade;

FIG. 8 is a perspective view of the right side of the laryngoscope blade;

FIG. 9 is a right side view of the laryngoscope blade with the laryngoscope handle shown in broken line which forms no part of the claimed design;

FIG. 10 is a right side view of the laryngoscope blade thereof; and,

FIG. 11 is a right side view of the laryngoscope blade thereof.

1 Claim, 6 Drawing Sheets



FIG. 1



FIG. 2

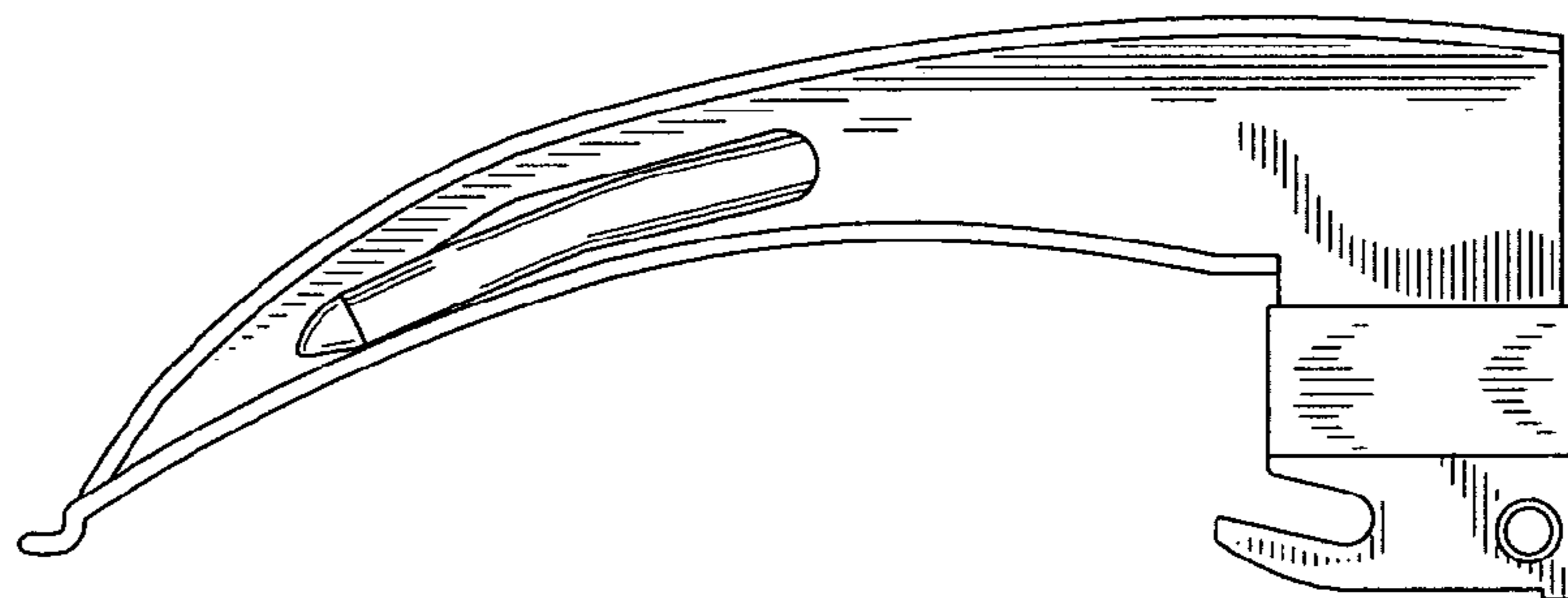


FIG. 3

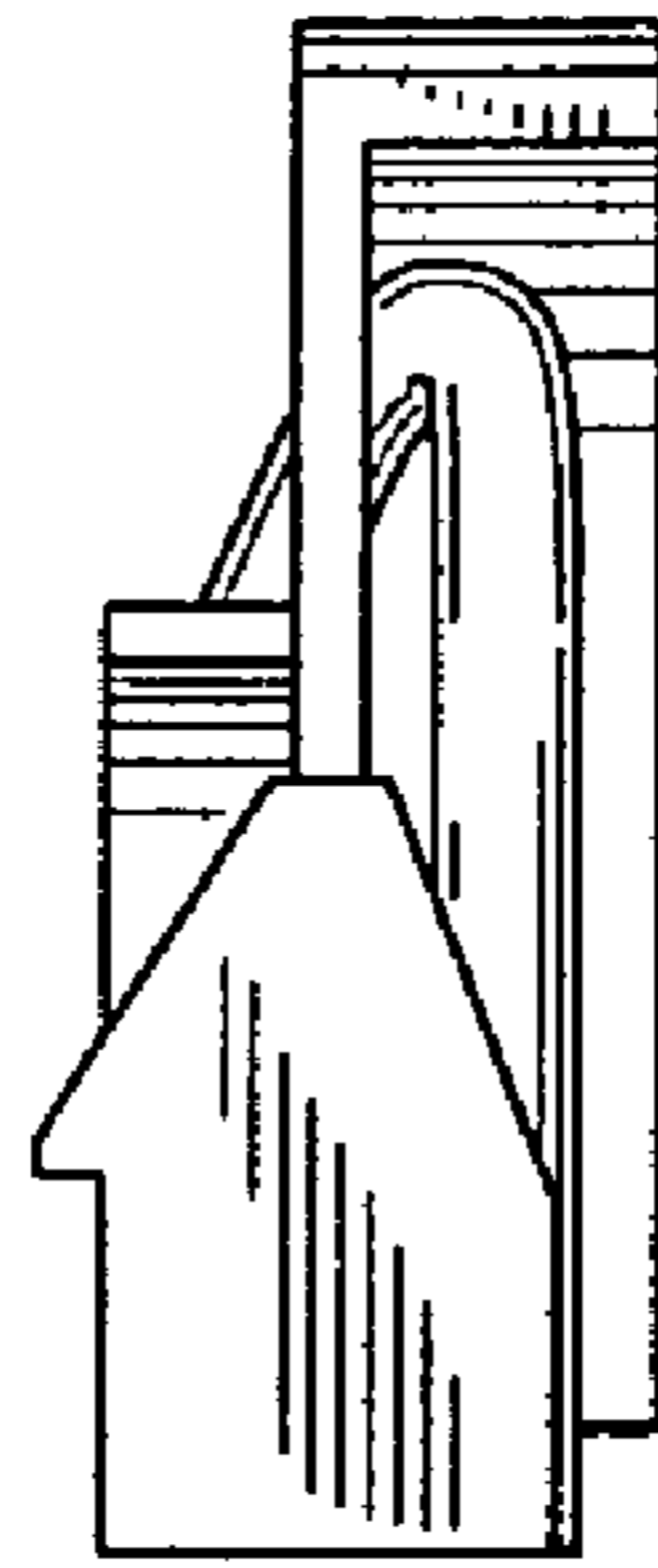


FIG. 4

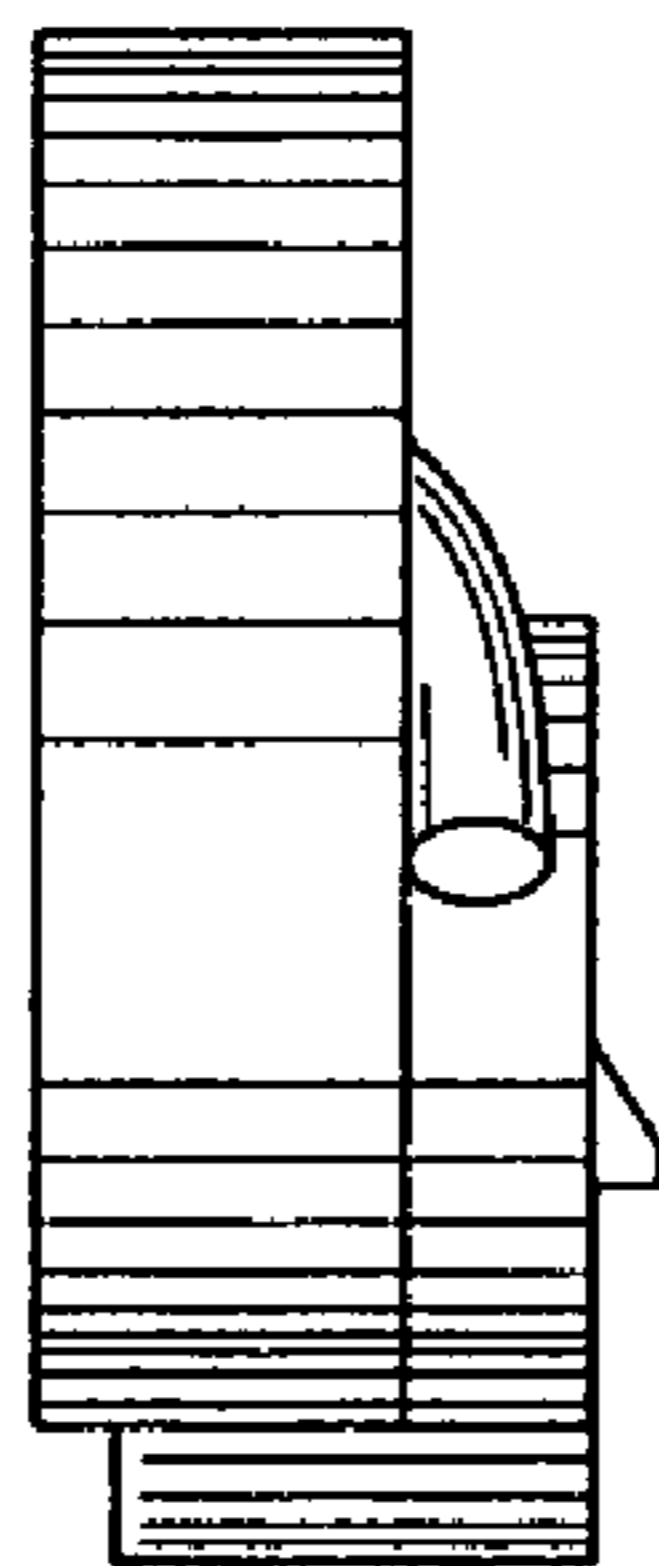


FIG. 5

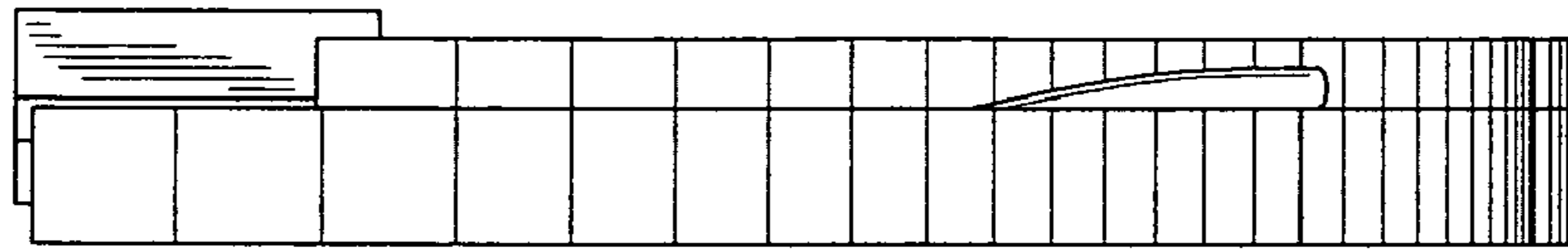


FIG. 6

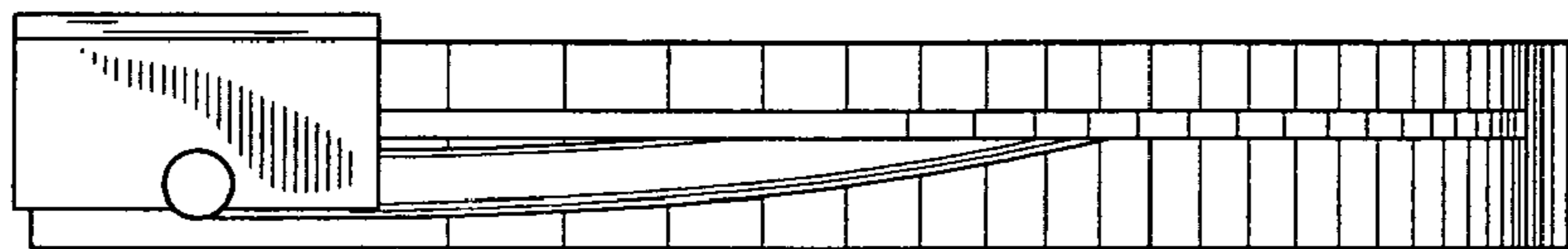


FIG. 7

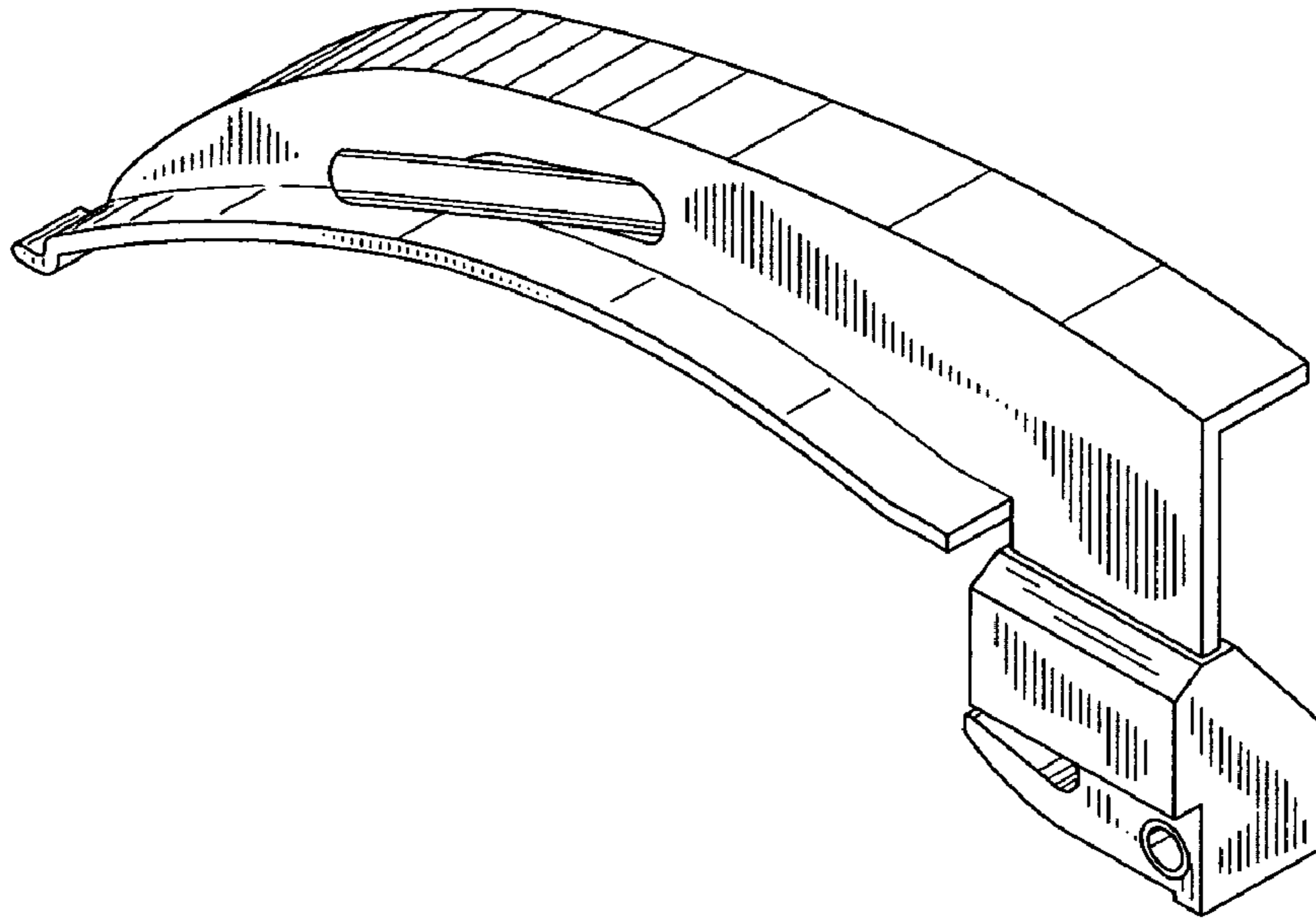
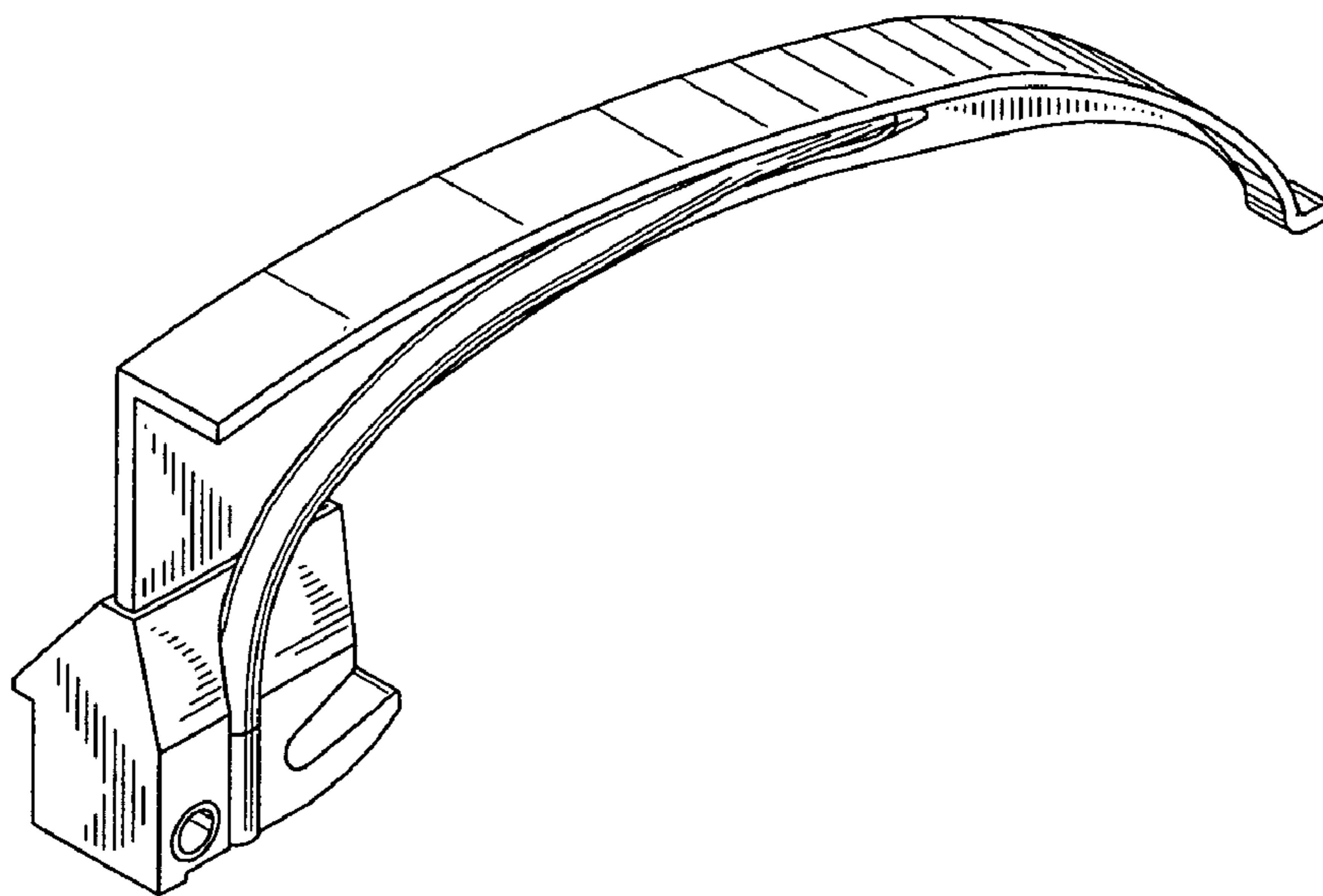


FIG. 8



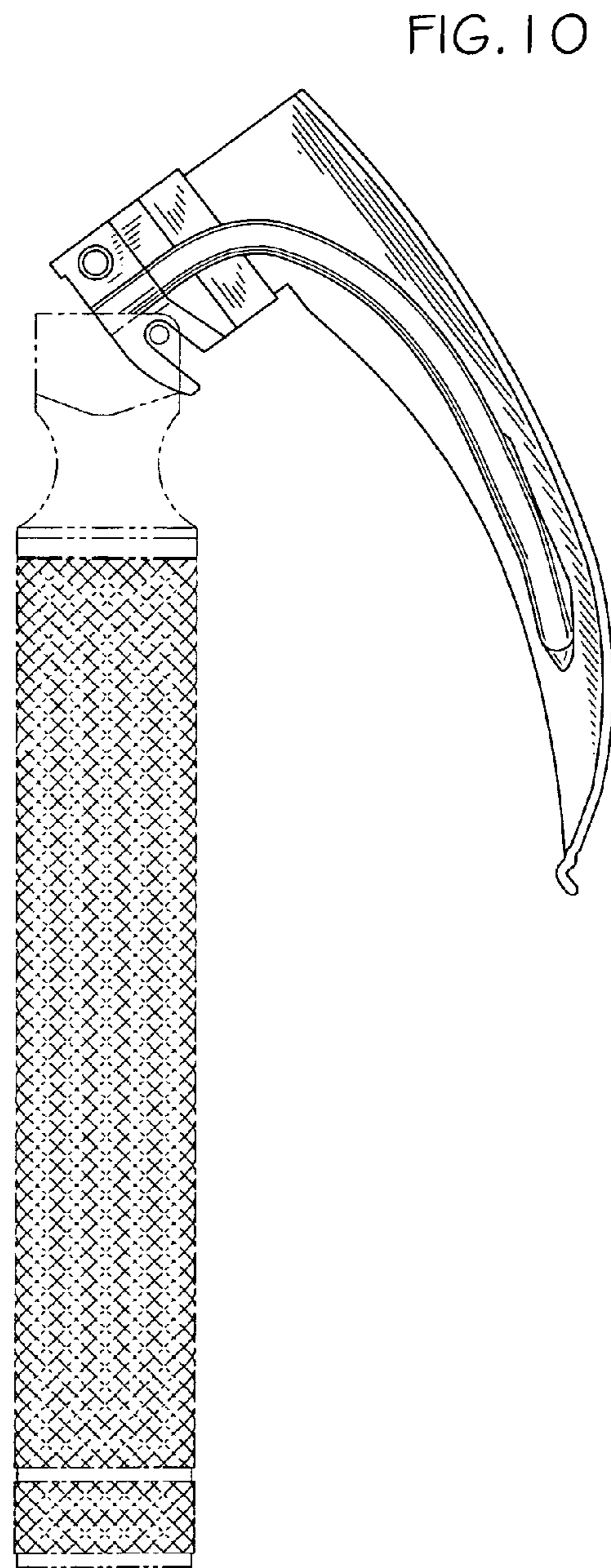
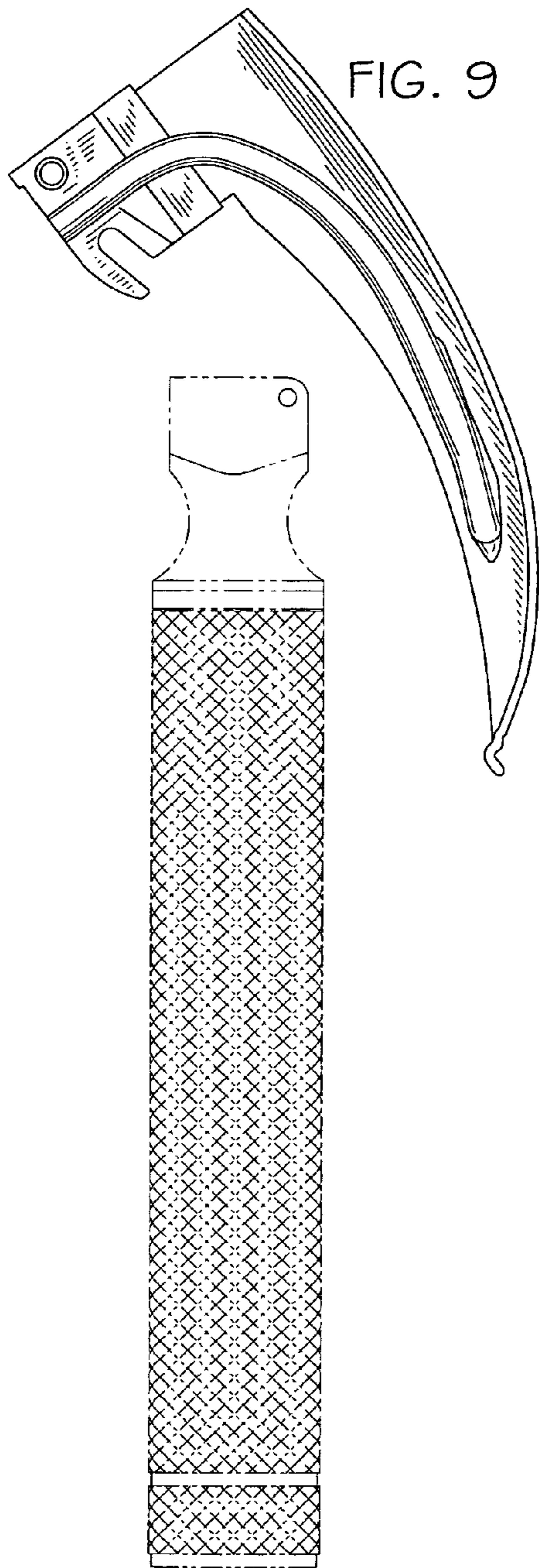


FIG. 11

