



US00D581531S

(12) **United States Design Patent**
Alinsod et al.

(10) **Patent No.:** **US D581,531 S**

(45) **Date of Patent:** **** Nov. 25, 2008**

(54) **TISSUE RETRACTOR FRAME**

(75) Inventors: **Red Alinsod**, Laguna Beach, CA (US);
James M. Fowler, Jr., Houston, TX
(US); **Marc D. Gelnett**, Houston, TX
(US)

(73) Assignee: **CooperSurgical, Incorporated**,
Trumbull, CT (US)

(**) Term: **14 Years**

(21) Appl. No.: **29/263,256**

(22) Filed: **Jul. 19, 2006**

Related U.S. Application Data

(62) Division of application No. 11/401,772, filed on Apr.
11, 2006.

(51) **LOC (8) Cl.** **24-02**

(52) **U.S. Cl.** **D24/135**

(58) **Field of Classification Search** D24/135,
D24/133; 600/208, 205, 226, 231, 233; 470/3
See application file for complete search history.

(56) **References Cited**

U.S. PATENT DOCUMENTS

3,823,709 A * 7/1974 McGuire 600/230
4,155,355 A * 5/1979 Yamamoto 600/233
4,274,398 A * 6/1981 Scott, Jr. 600/233

5,785,649 A * 7/1998 Fowler, Jr. 600/233
D412,576 S * 8/1999 Austin et al. D24/135
5,951,467 A * 9/1999 Picha et al. 600/233
D504,721 S * 5/2005 Dorfman D24/135
2005/0171405 A1 * 8/2005 Rowland et al. 600/233
2007/0156023 A1 * 7/2007 Frasier et al. 600/206
2007/0161867 A1 * 7/2007 Fowler et al. 600/233
2007/0208228 A1 * 9/2007 Pavento et al. 600/233
2007/0238933 A1 * 10/2007 Alinsod et al. 600/231

* cited by examiner

Primary Examiner—Ian Simmons

Assistant Examiner—Carissa C Fitts

(74) *Attorney, Agent, or Firm*—Vinson & Elkins LLP

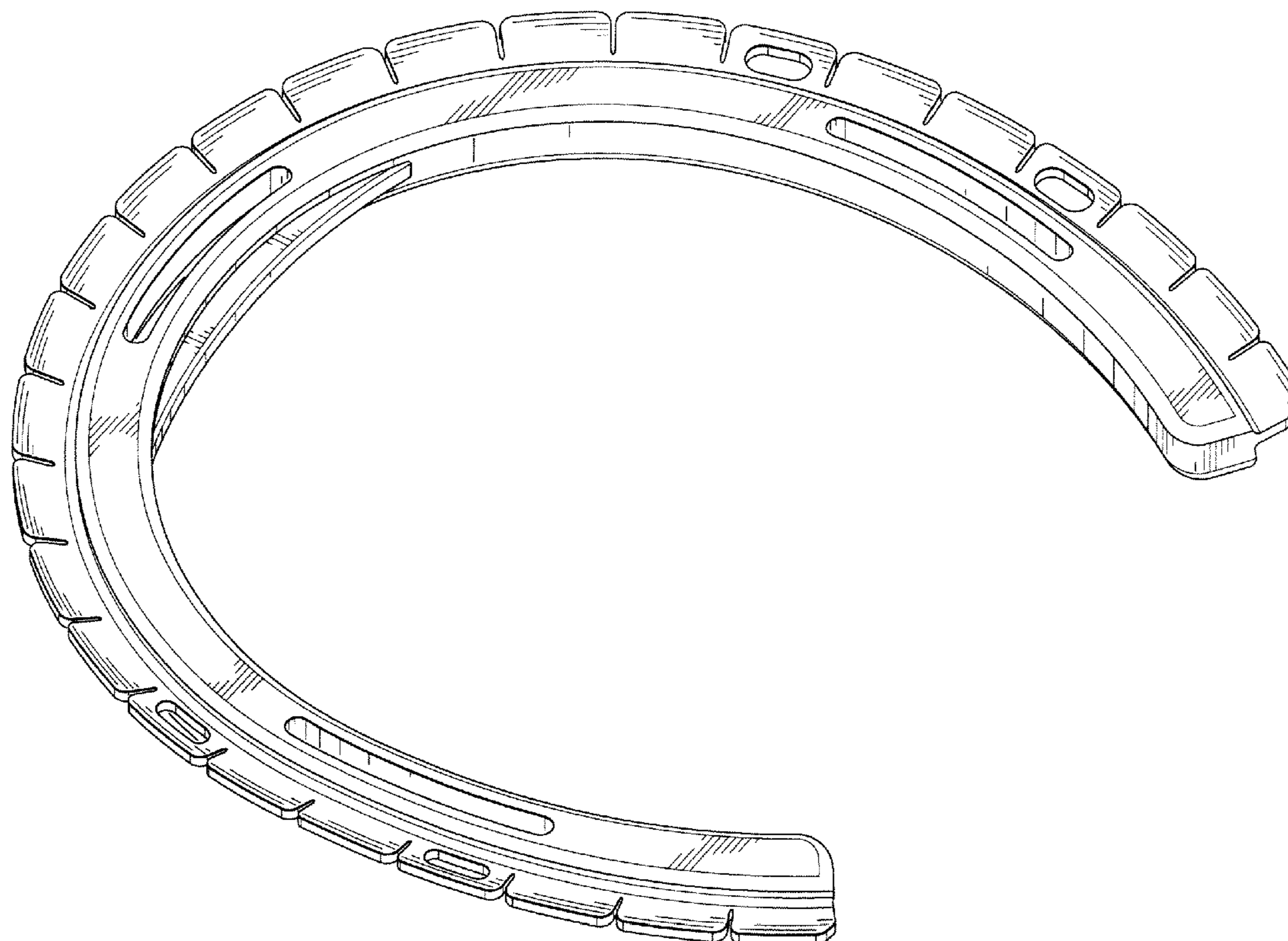
(57) **CLAIM**

The ornamental design for a tissue retractor frame, as shown
and described.

DESCRIPTION

FIG. 1 is a perspective view of the tissue retractor frame;
FIG. 2 is a front elevation view thereof;
FIG. 3 is a left side elevation view thereof;
FIG. 4 is a right side elevation view thereof;
FIG. 5 is a rear elevation view thereof;
FIG. 6 is a top plan view thereof; and,
FIG. 7 is a bottom plan view thereof.

1 Claim, 4 Drawing Sheets



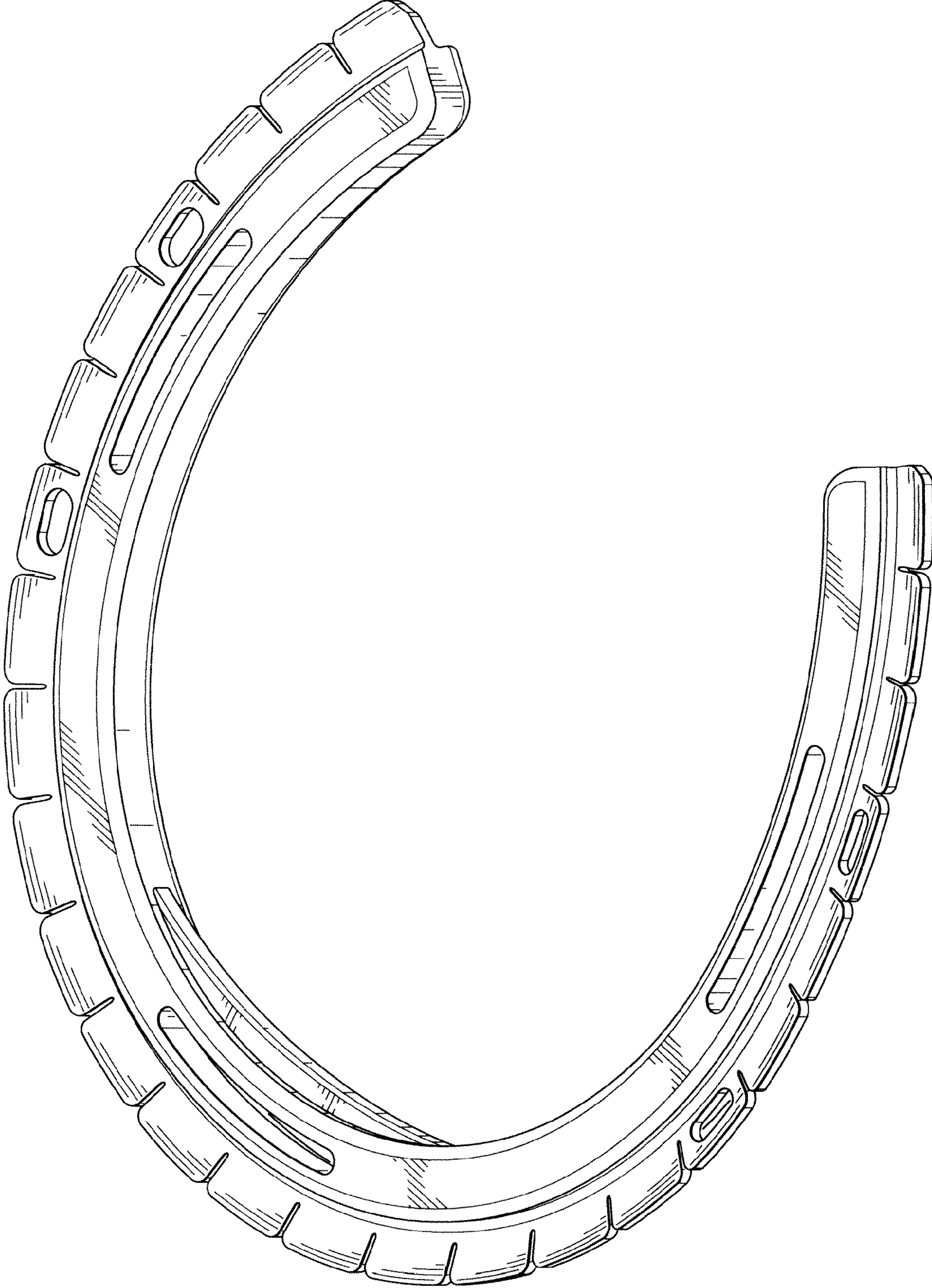


FIG. 1

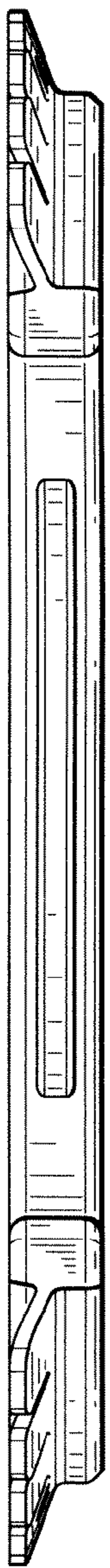


FIG. 2



FIG. 3

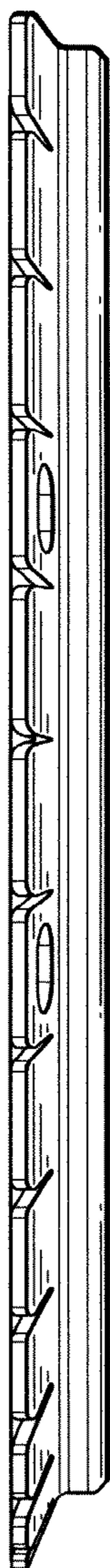


FIG. 4



FIG. 5

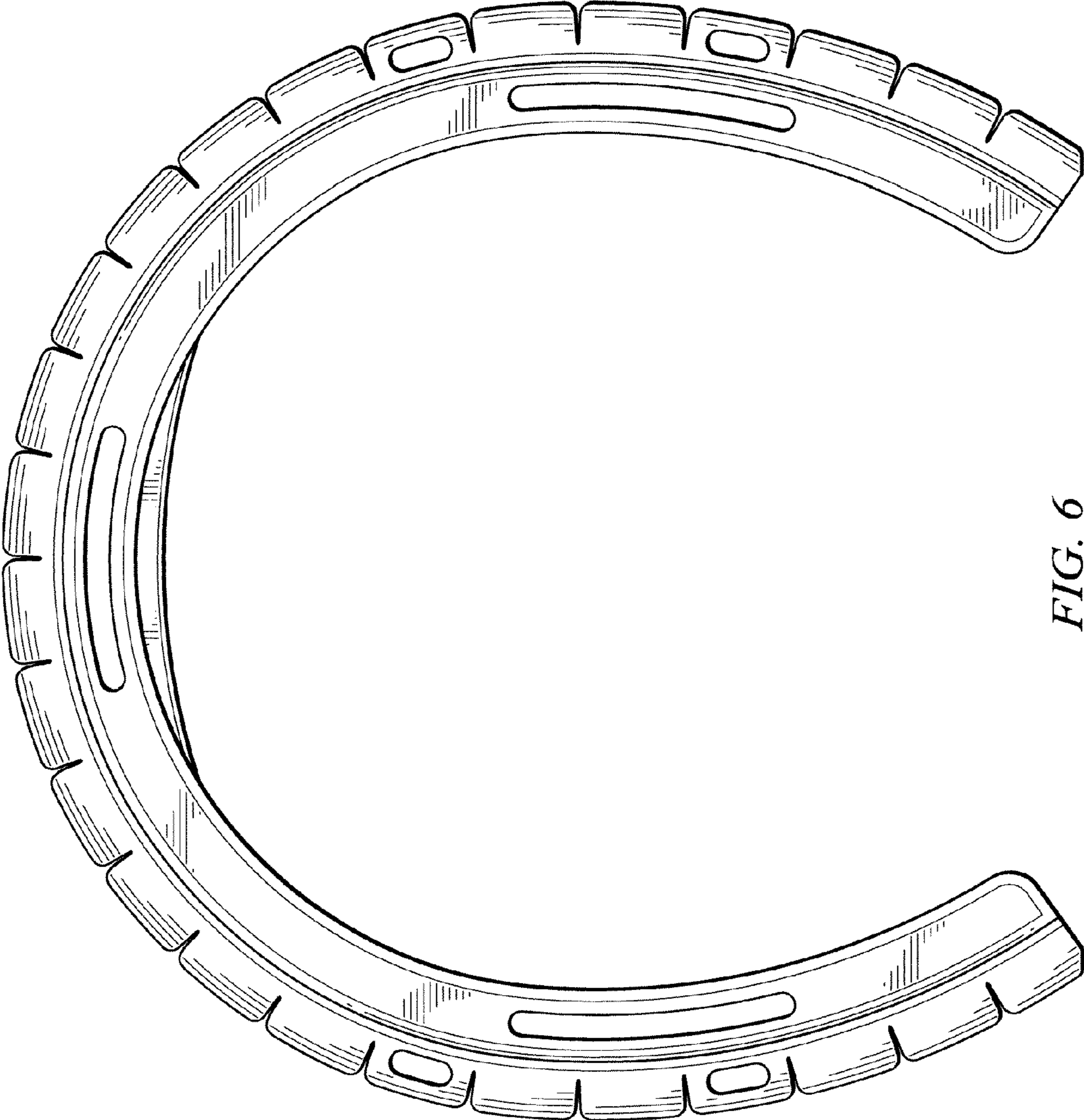


FIG. 6

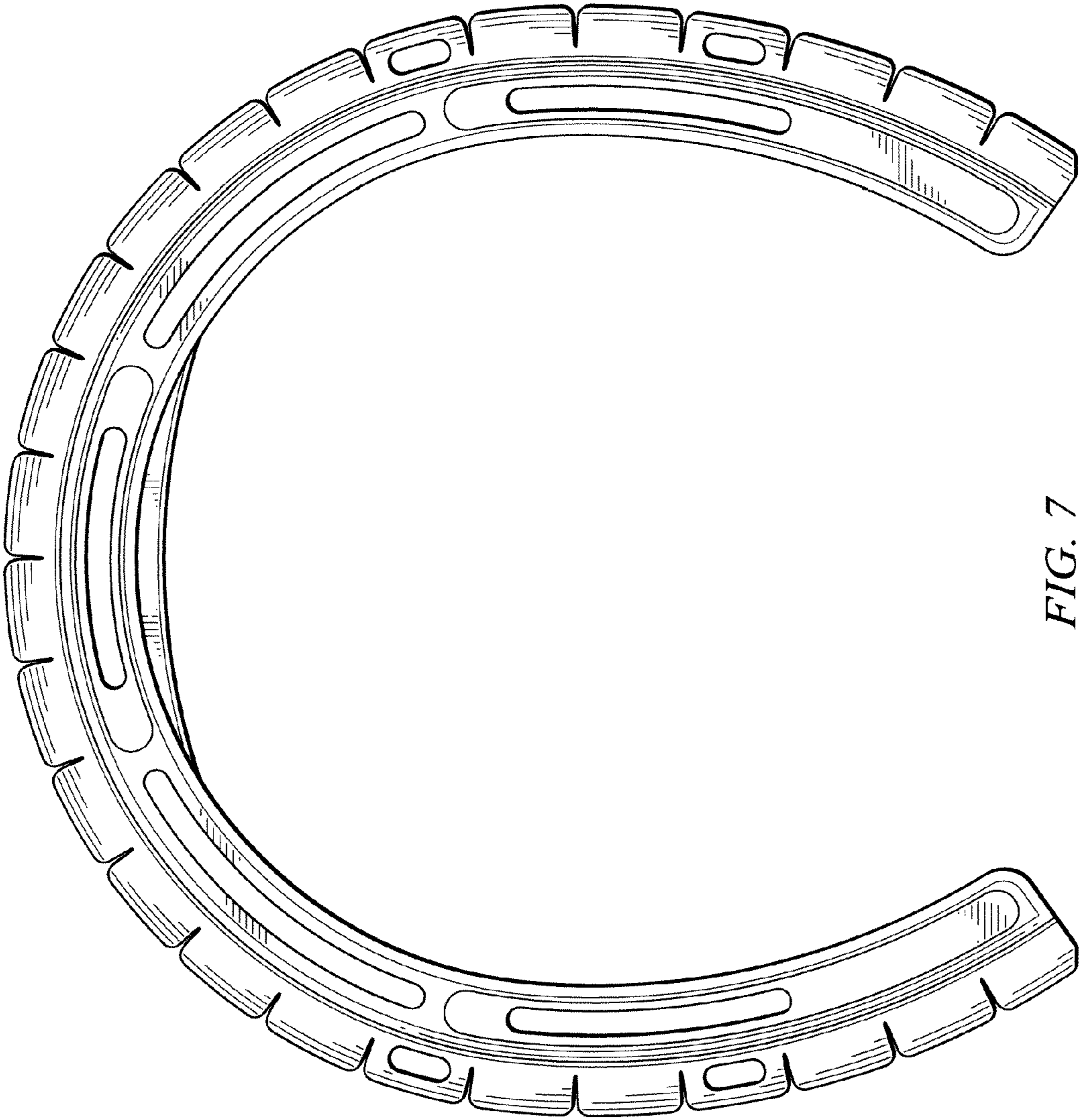


FIG. 7