



US00D581527S

(12) **United States Design Patent**
Jansen

(10) **Patent No.:** **US D581,527 S**
(45) **Date of Patent:** **** Nov. 25, 2008**

(54) **SYRINGE BACKSTOP**
(75) Inventor: **Hubert Jansen**, Stolberg (DE)
(73) Assignee: **West Pharmaceutical Services, Inc.**,
Lionville, PA (US)
(**) Term: **14 Years**
(21) Appl. No.: **29/283,964**
(22) Filed: **Aug. 28, 2007**
(51) **LOC (8) Cl.** **24-02**
(52) **U.S. Cl.** **D24/130**
(58) **Field of Classification Search** D24/127-131,
D24/108, 112, 231; 604/231, 220, 232, 187,
604/218, 195, 227
See application file for complete search history.

(56) **References Cited**

U.S. PATENT DOCUMENTS

3,747,812 A 7/1973 Karman et al.

(Continued)

FOREIGN PATENT DOCUMENTS

DE 2810370 9/1979

(Continued)

Primary Examiner—Ian Simmons

Assistant Examiner—Eric L Goodman

(74) *Attorney, Agent, or Firm*—Panitch Schwarze Belisario +
Nadel LLP

(57) **CLAIM**

The ornamental design for a syringe backstop, as shown and described.

DESCRIPTION

FIG. 1 is a top perspective view of a first preferred embodiment of a syringe backstop in accordance with my new design;

FIG. 2 is a front elevational view of the syringe backstop shown in FIG. 1;

FIG. 3 is a left-side elevational view of the syringe backstop shown in FIG. 1, a right-side elevational view thereof being a mirror image;

FIG. 4 is a top plan view of the syringe backstop shown in FIG. 1;

FIG. 5 is a bottom plan view of the syringe backstop shown in FIG. 1;

FIG. 6 is a rear elevational view of the syringe backstop shown in FIG. 1;

FIG. 7 is a top perspective view of a second preferred embodiment of a syringe backstop in accordance with my new design;

FIG. 8 is a front elevational view of the syringe backstop shown in FIG. 7;

FIG. 9 is a left-side elevational view of the syringe backstop shown in FIG. 7, a right-side elevational view thereof being a mirror image;

FIG. 10 is a top plan view of the syringe backstop shown in FIG. 7;

FIG. 11 is a bottom plan view of the syringe backstop shown in FIG. 7;

FIG. 12 is a rear elevational view of the syringe backstop shown in FIG. 7;

FIG. 13 is a top perspective view of a third preferred embodiment of a syringe backstop in accordance with my new design;

FIG. 14 is a front elevational view of the syringe backstop shown in FIG. 13;

FIG. 15 is a left-side elevational view of the syringe backstop shown in FIG. 13, a right-side elevational view thereof being a mirror image;

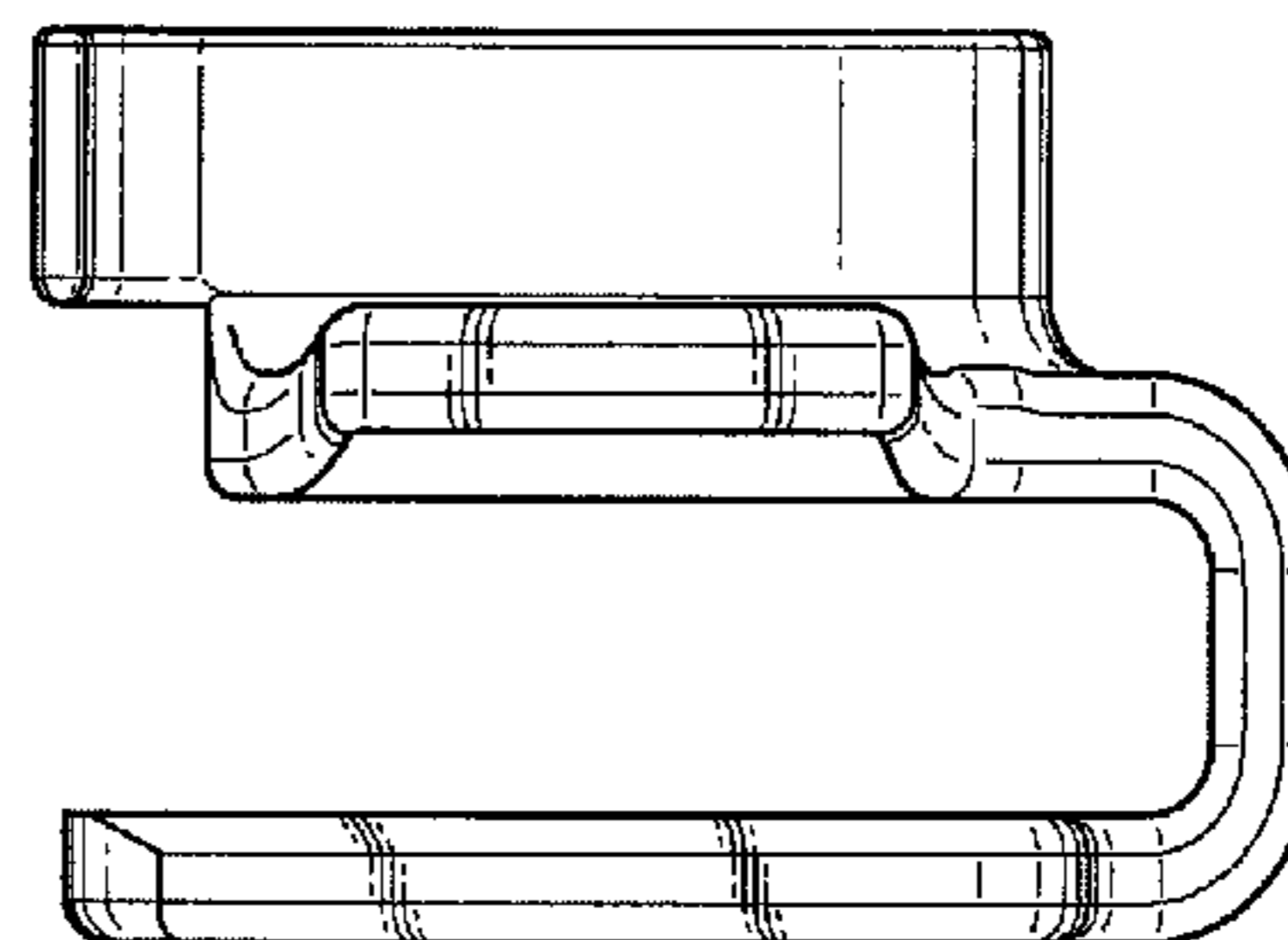
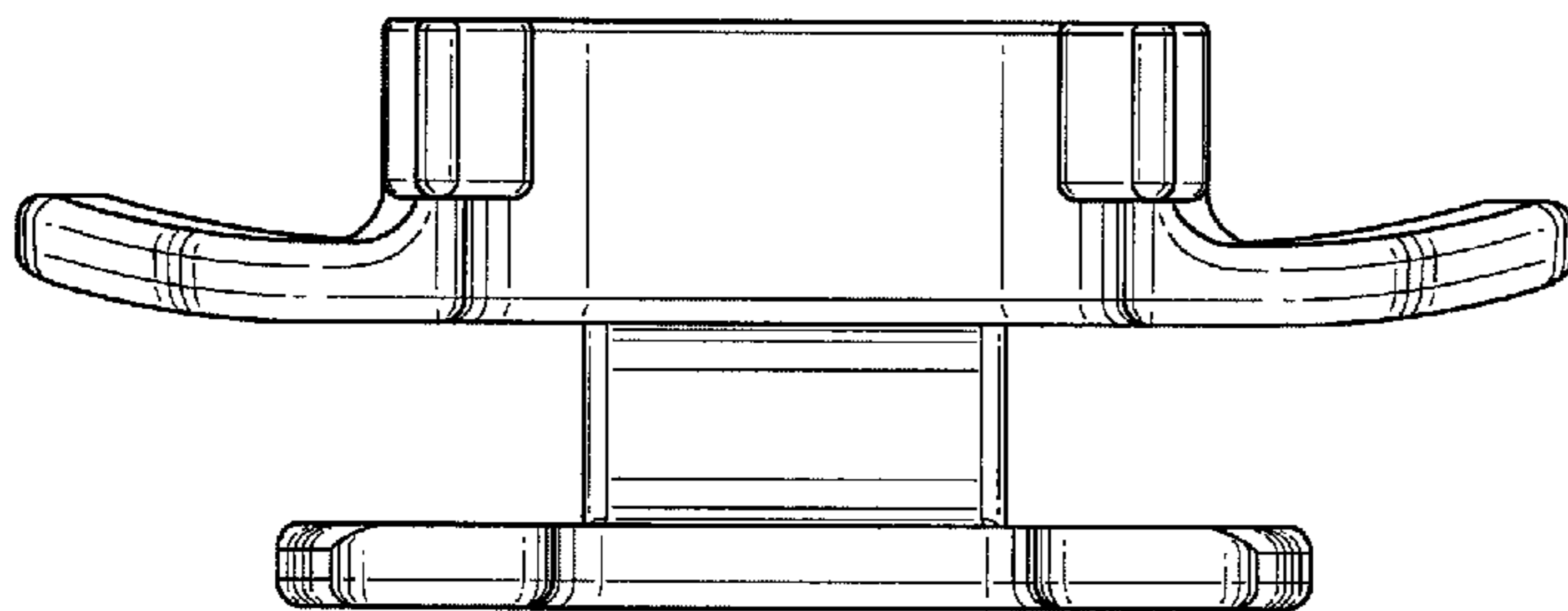
FIG. 16 is a top plan view of the syringe backstop shown in FIG. 13;

FIG. 17 is a bottom plan view of the syringe backstop shown in FIG. 13; and,

FIG. 18 is a rear elevational view of the syringe backstop shown in FIG. 13.

The broken lines in the figures are for illustrative purposes only and form no part of the claimed design.

1 Claim, 12 Drawing Sheets



US D581,527 S

Page 2

U.S. PATENT DOCUMENTS

4,479,578 A 10/1984 Brignola et al.
D293,130 S * 12/1987 Ashie et al. D24/128
4,711,637 A 12/1987 Leigh et al.
5,607,399 A 3/1997 Grimard et al.
5,667,495 A 9/1997 Bitdinger et al.
5,700,247 A 12/1997 Grimard et al.
D397,790 S * 9/1998 Naganuma D24/130
5,803,918 A 9/1998 Vetter et al.
5,997,514 A * 12/1999 Balestracci 604/227

D434,850 S * 12/2000 Balestracci D24/130
2005/0148932 A1 * 7/2005 Rimlinger et al. 604/110
2007/0083164 A1 * 4/2007 Barrelle et al. 604/187

FOREIGN PATENT DOCUMENTS

EP 0764450 A1 3/1997
EP 738517 B1 6/2002
FR 360.751 5/1906
WO WO9426334 11/1994

* cited by examiner

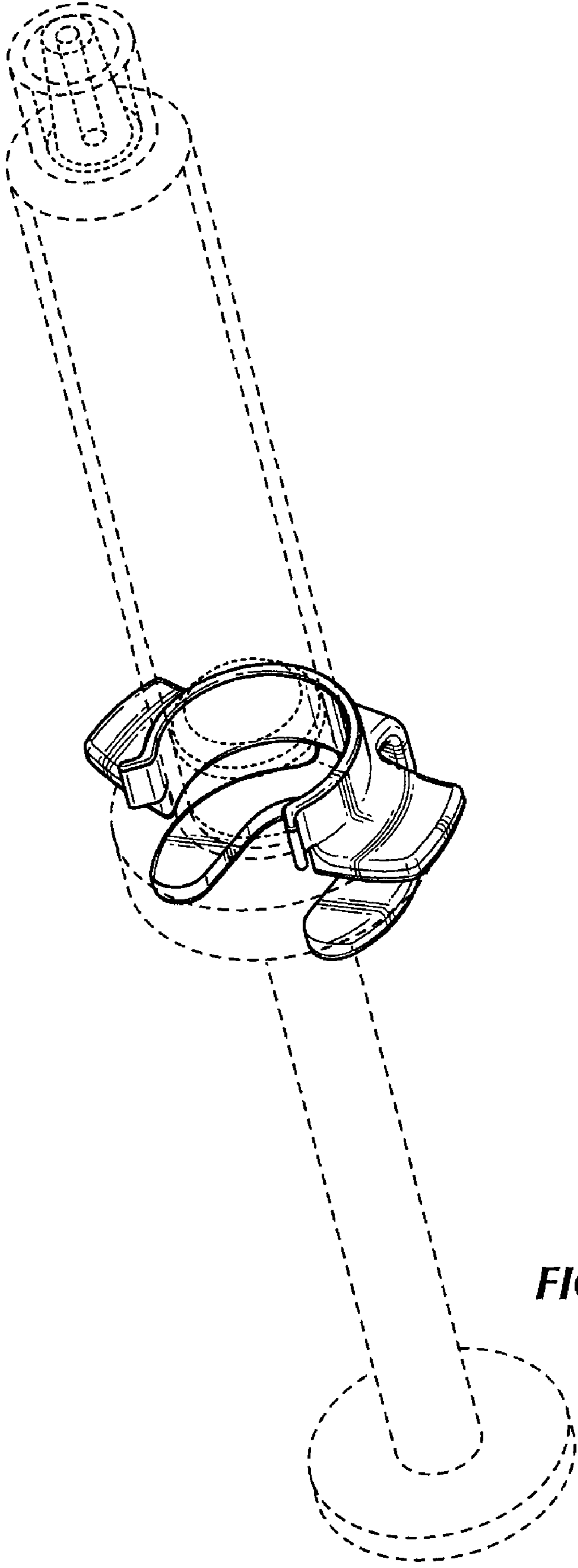


FIG. 1

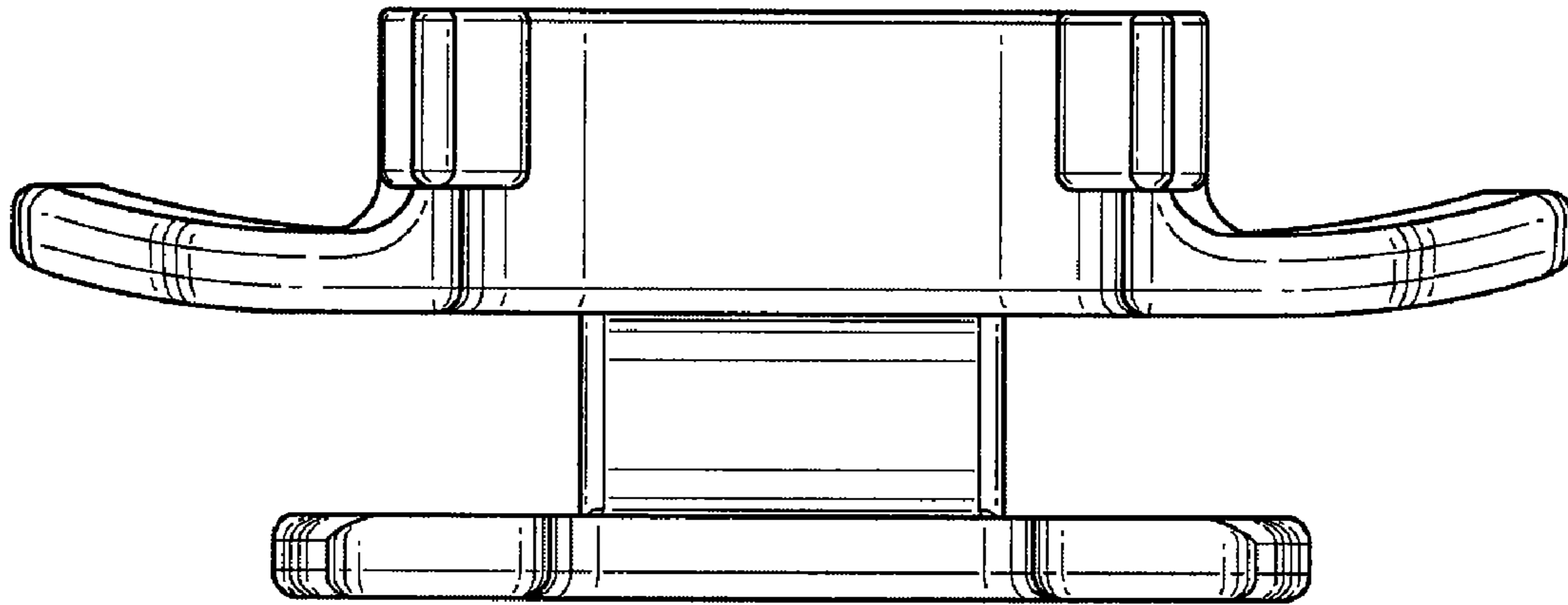


FIG. 2

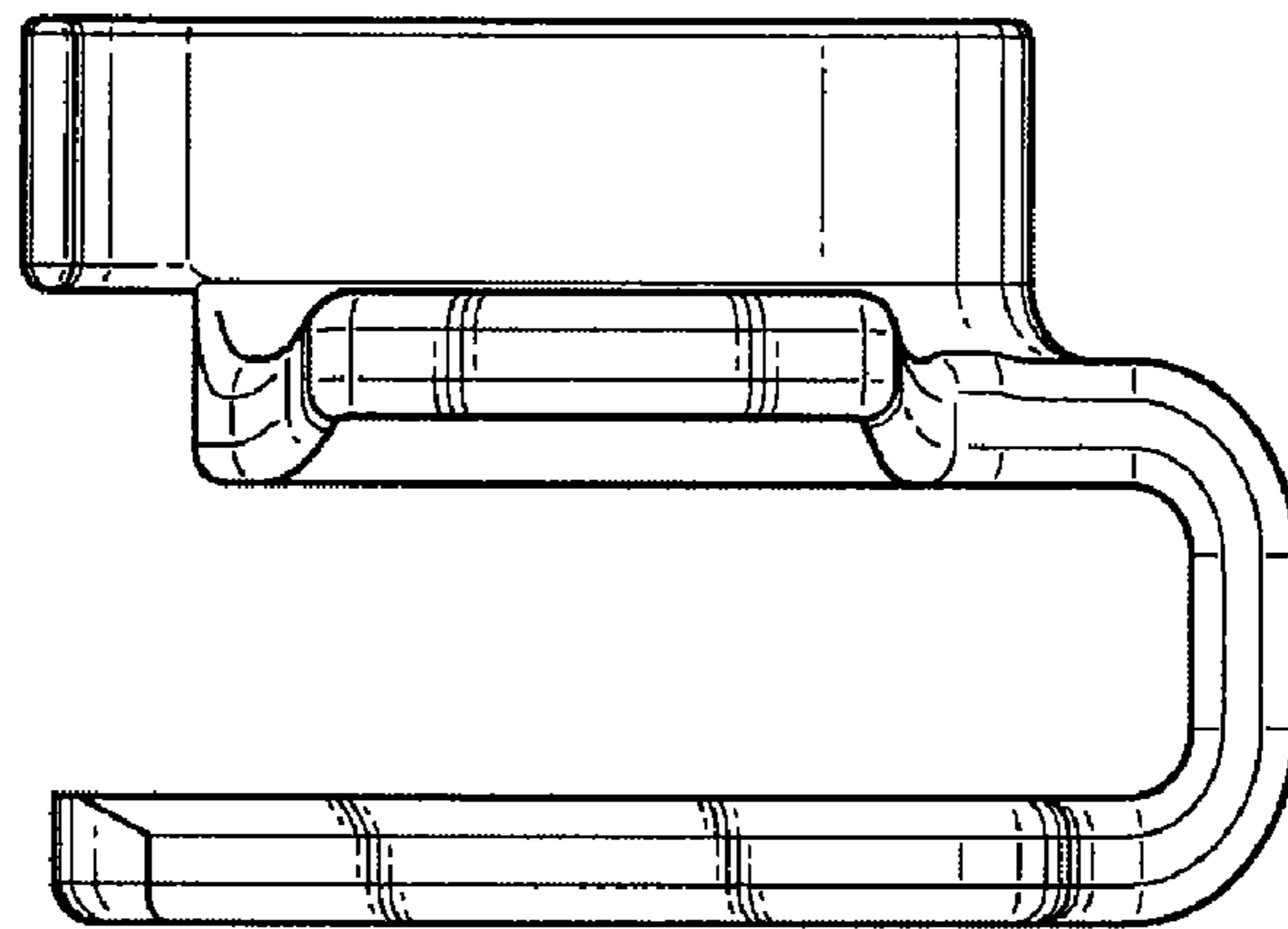


FIG. 3

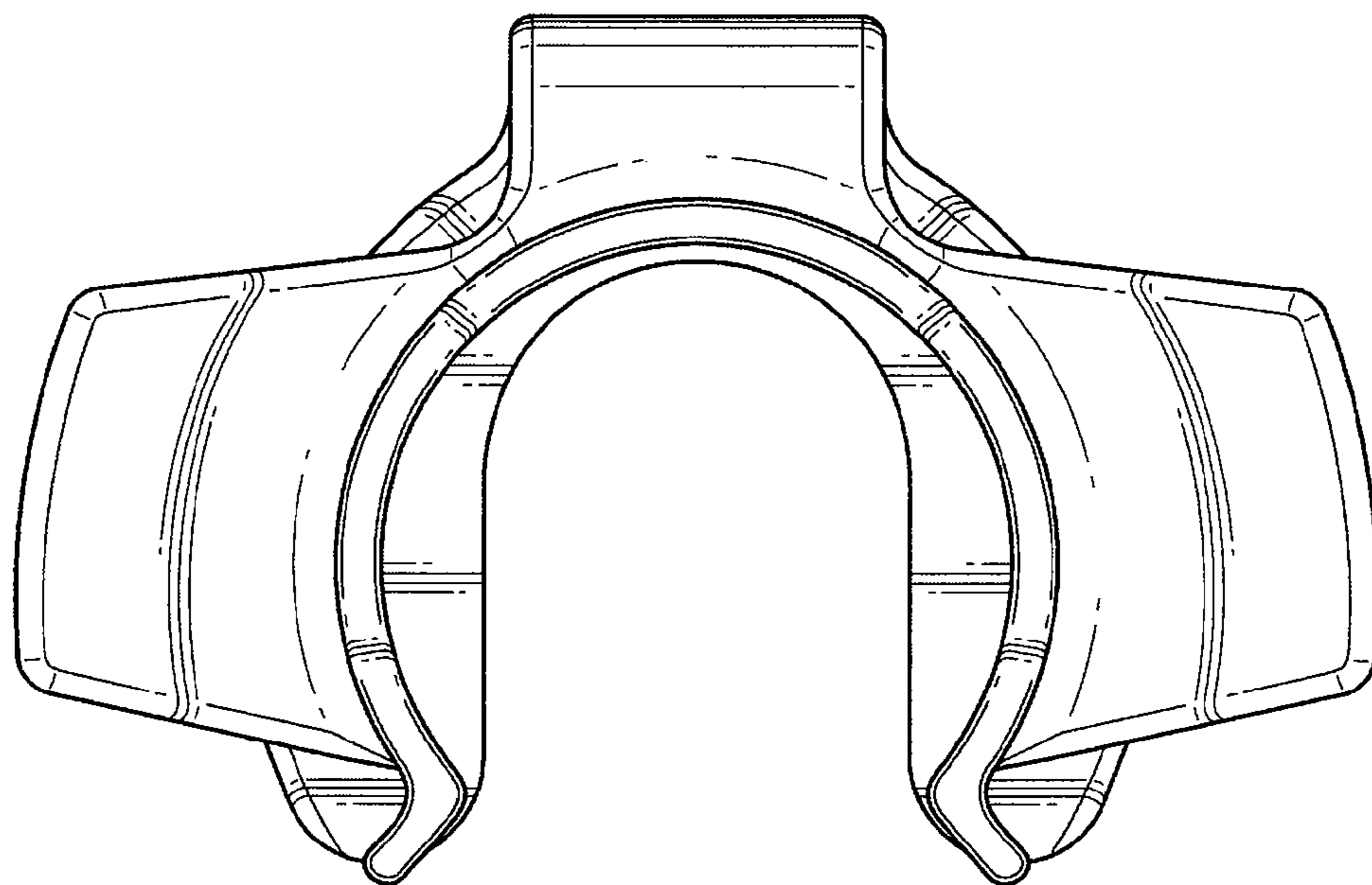


FIG. 4

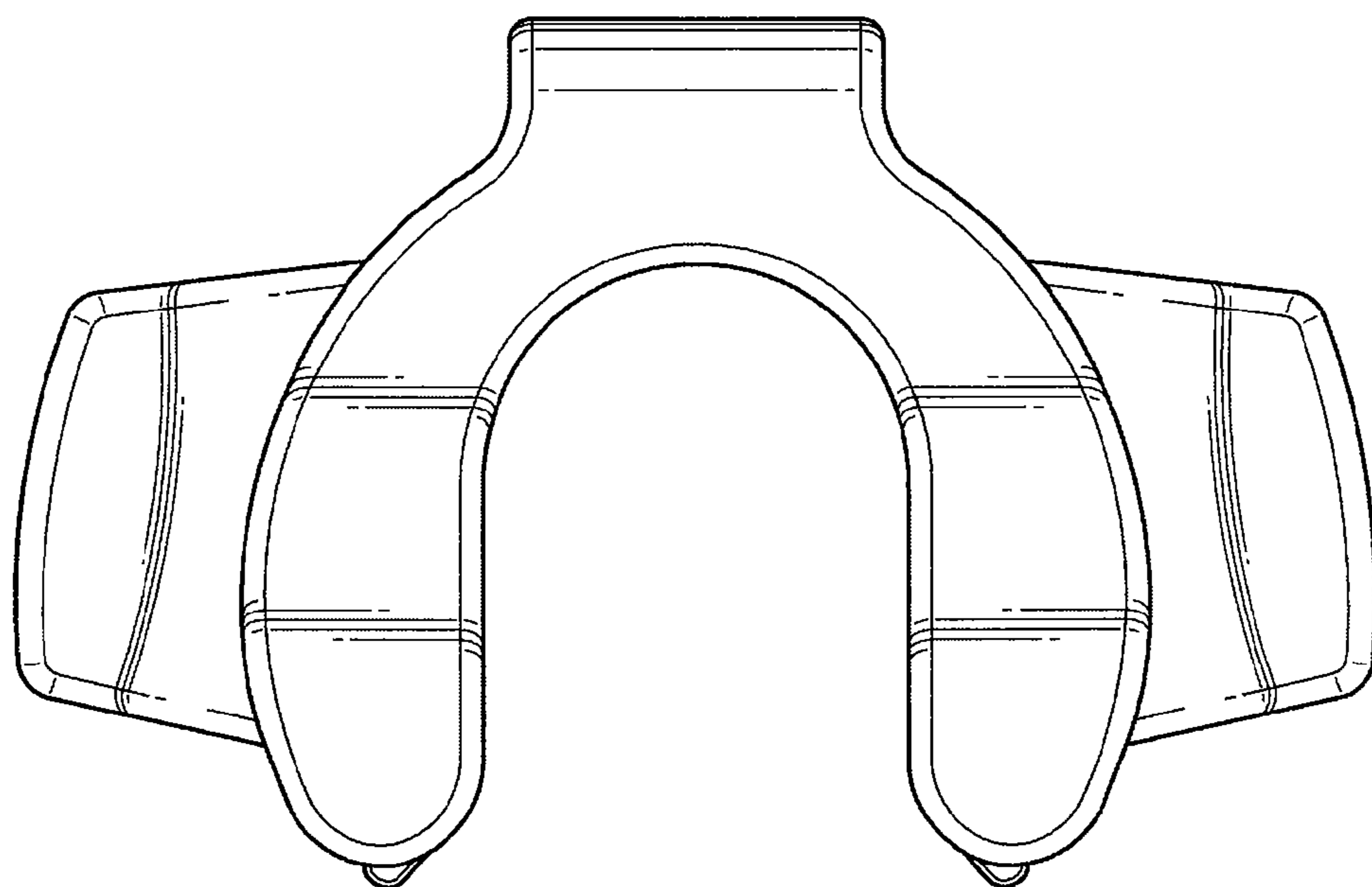


FIG. 5

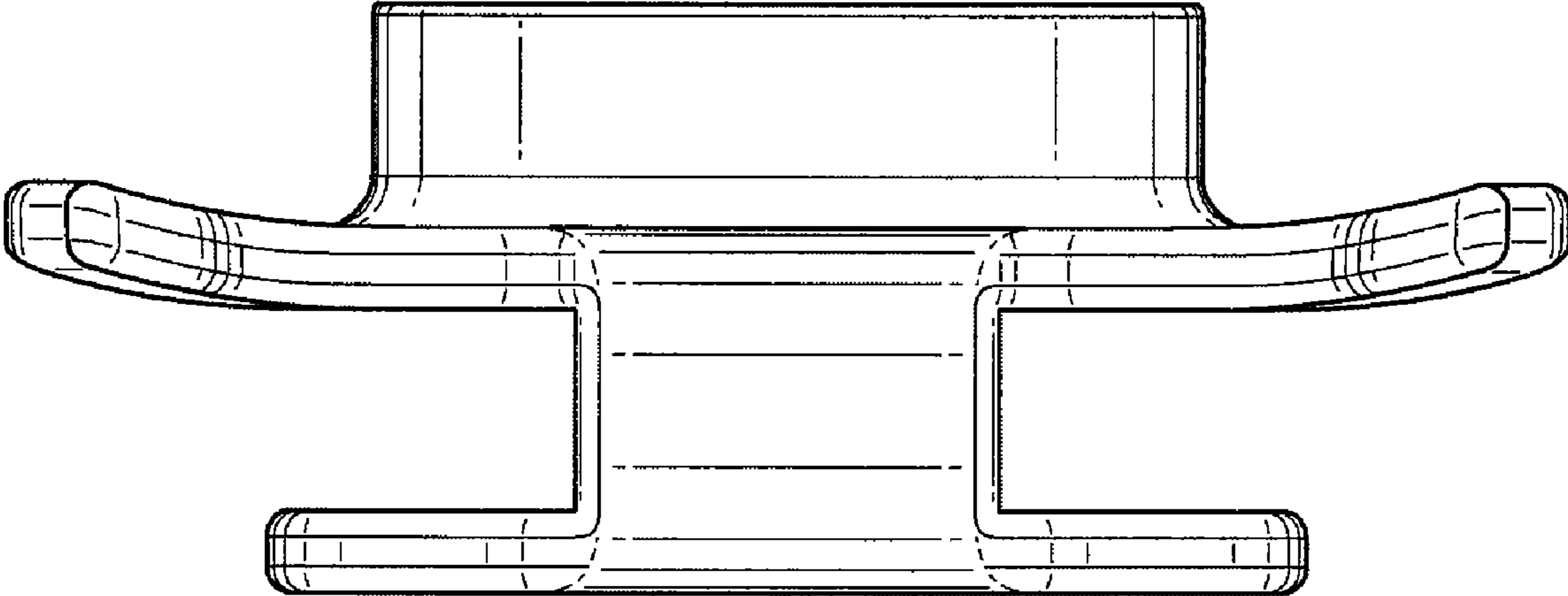


FIG. 6

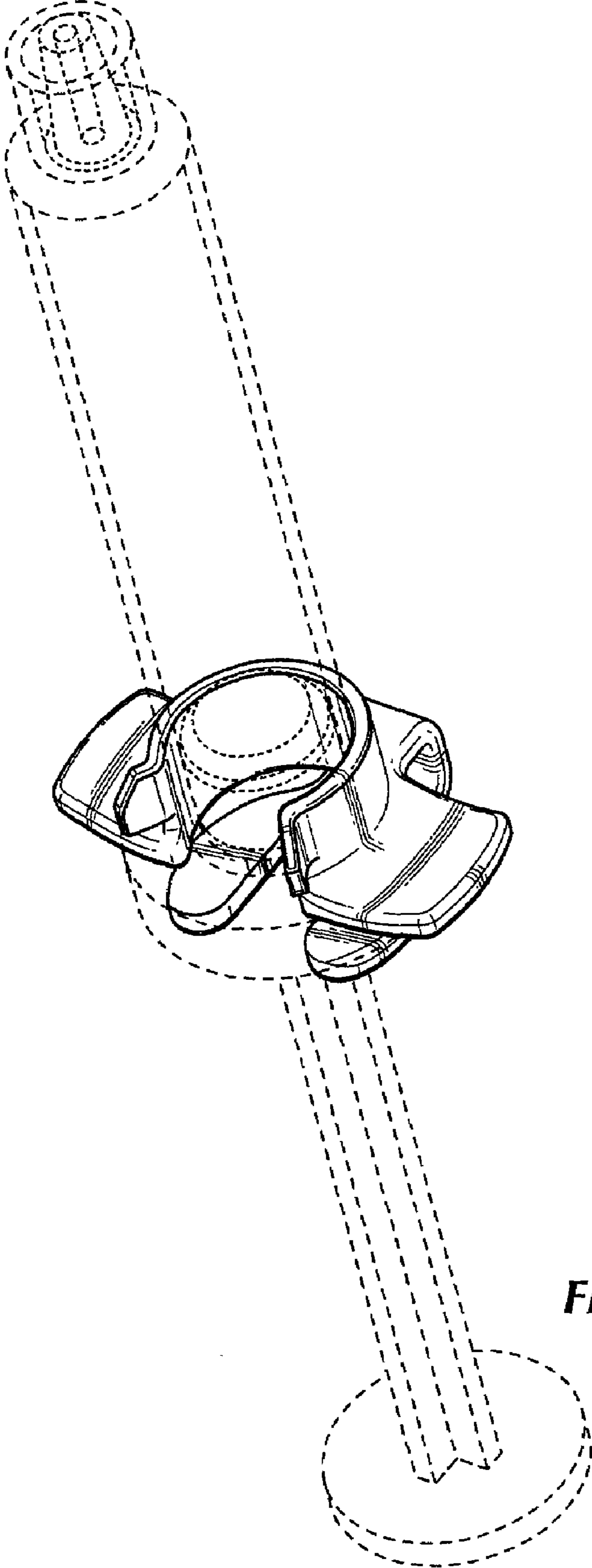


FIG. 7

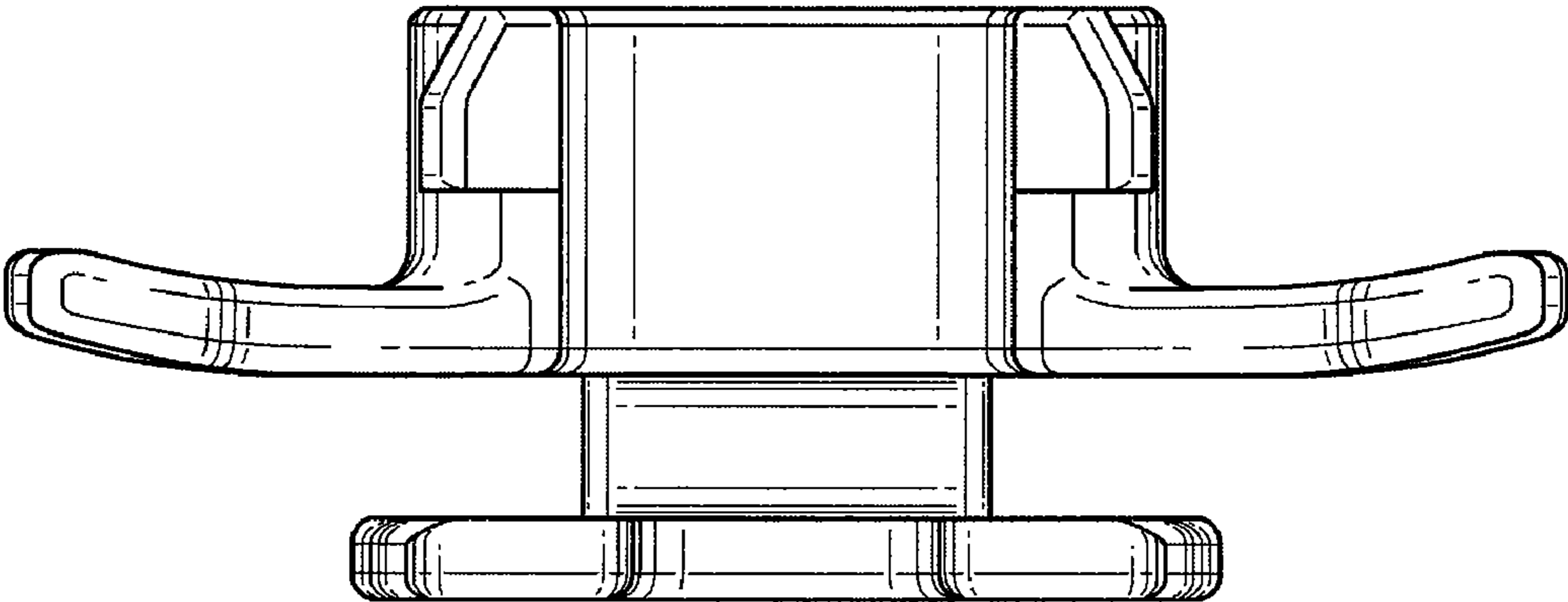


FIG. 8

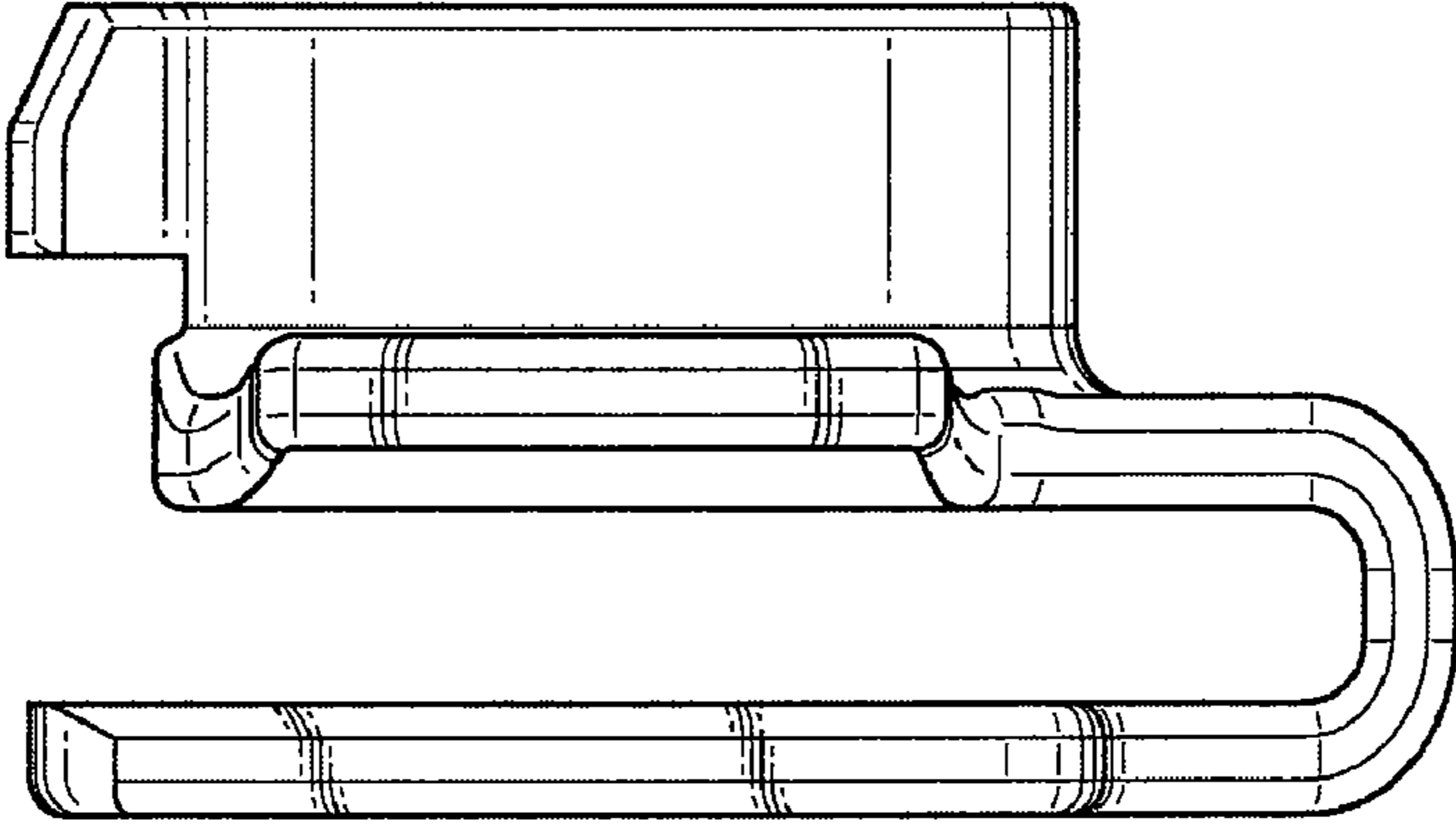


FIG. 9

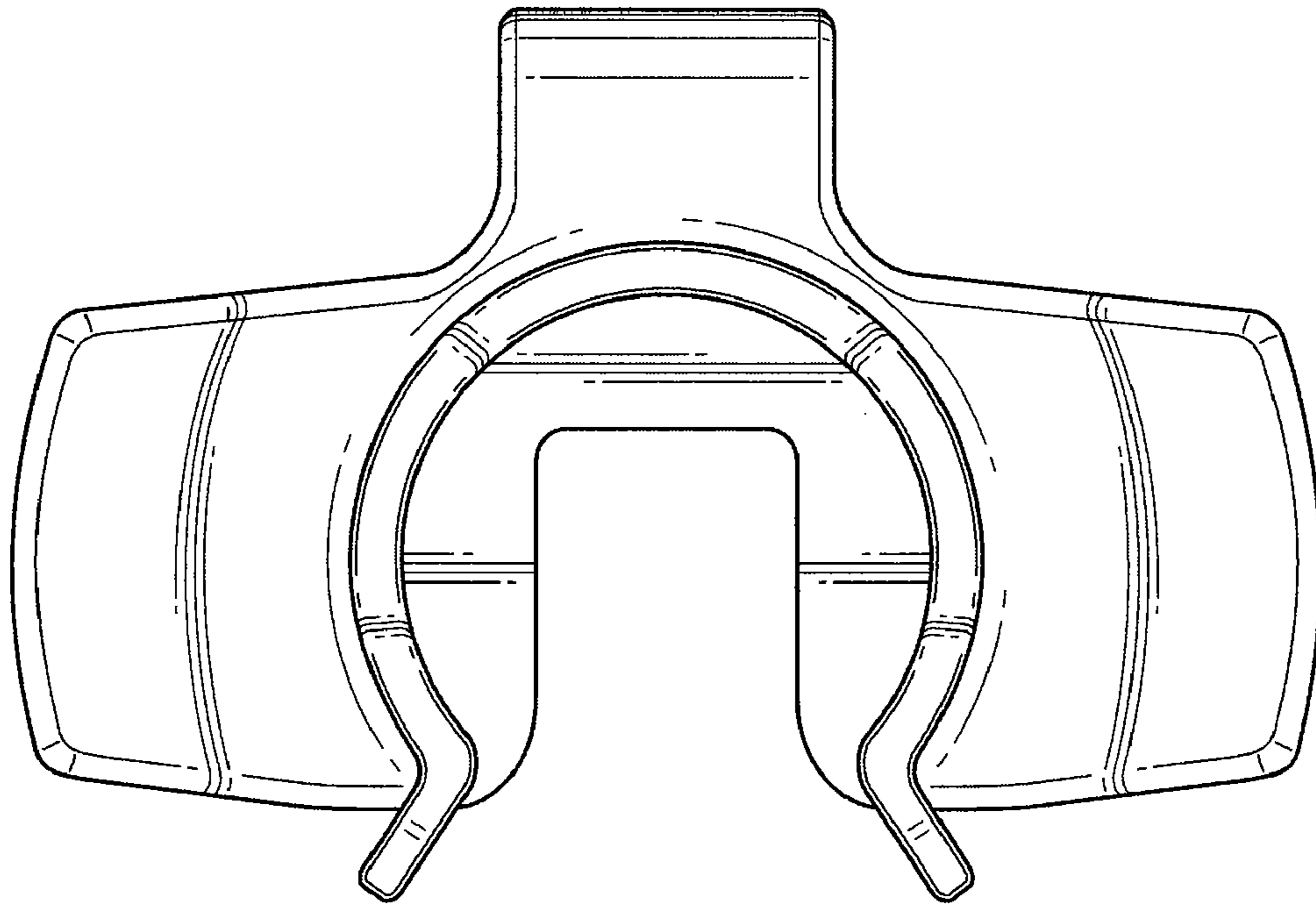


FIG. 10

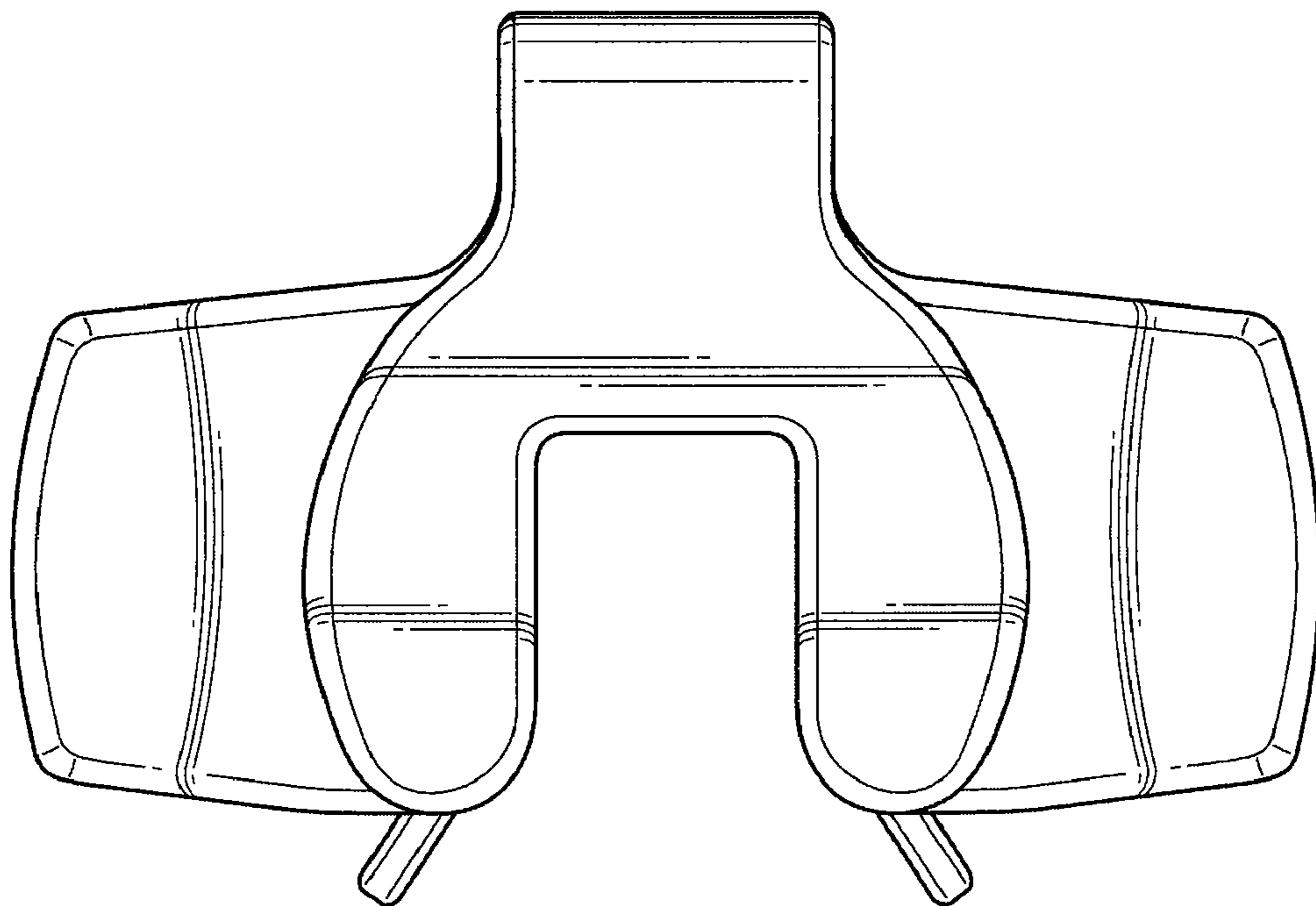


FIG. 11

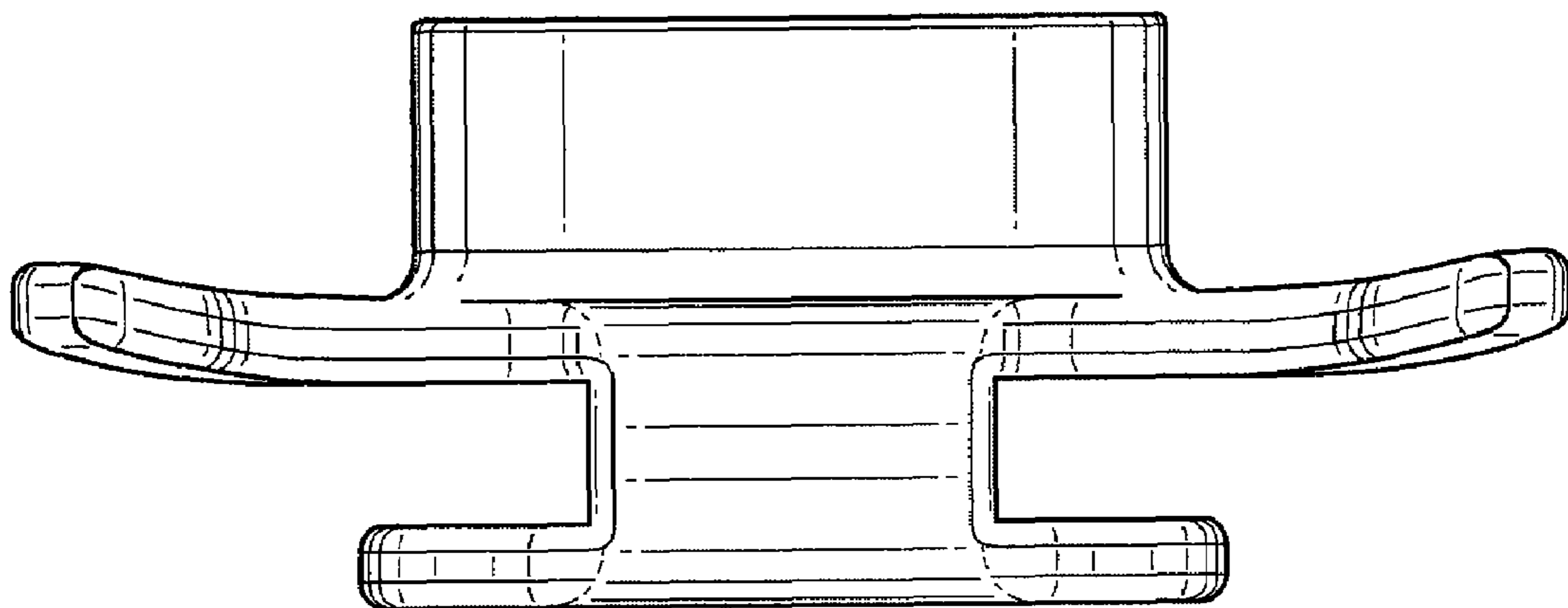


FIG. 12

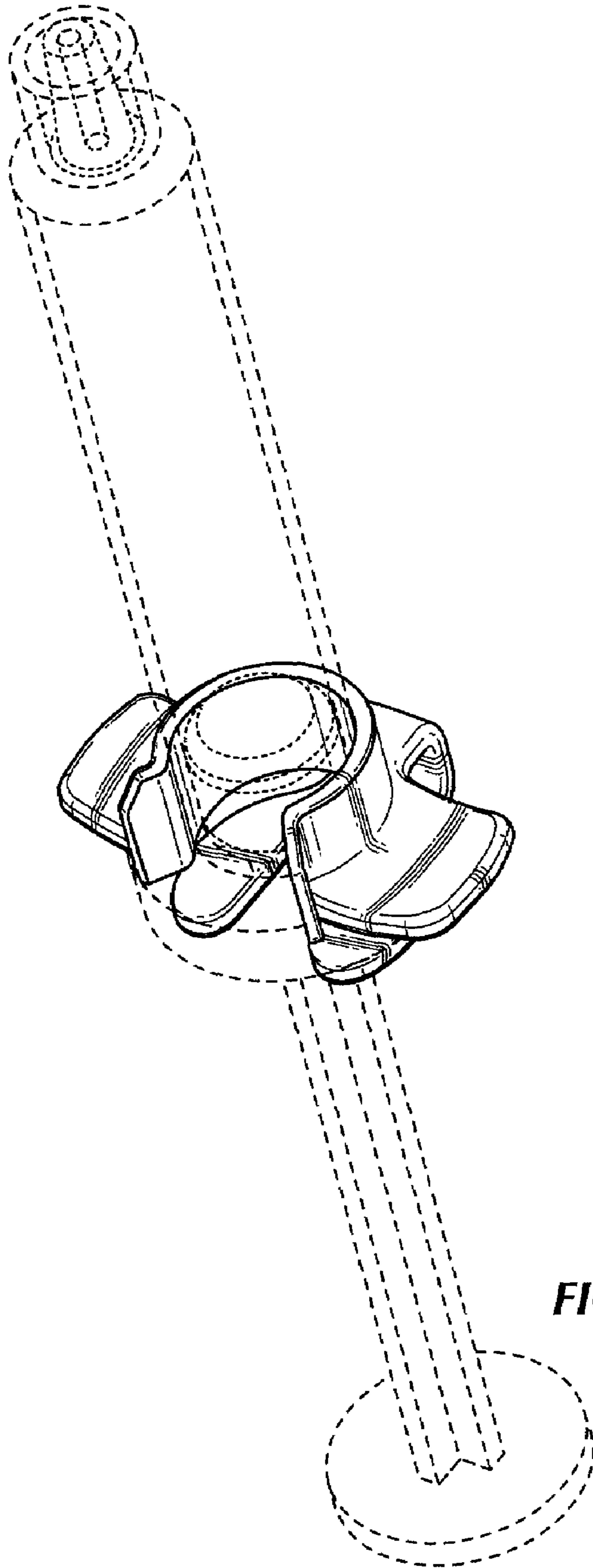


FIG. 13

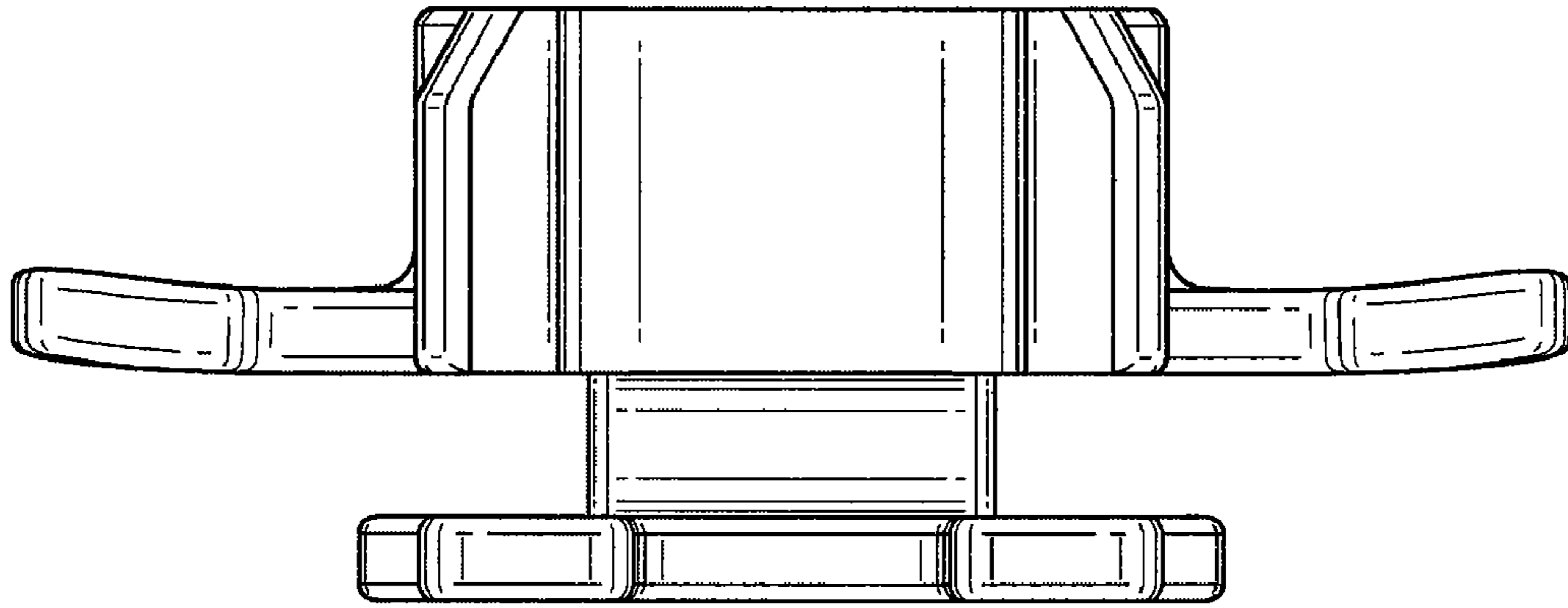


FIG. 14

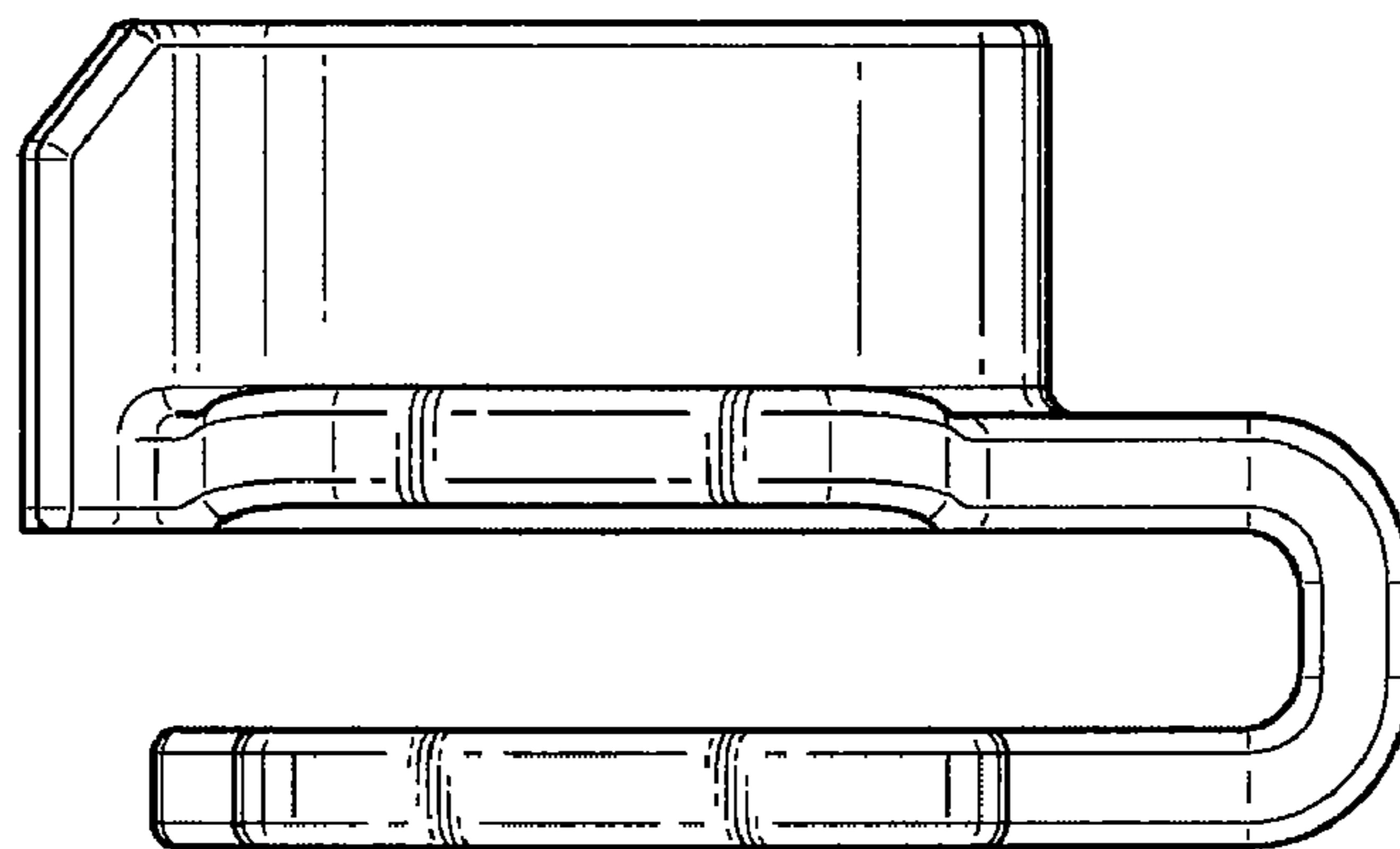


FIG. 15

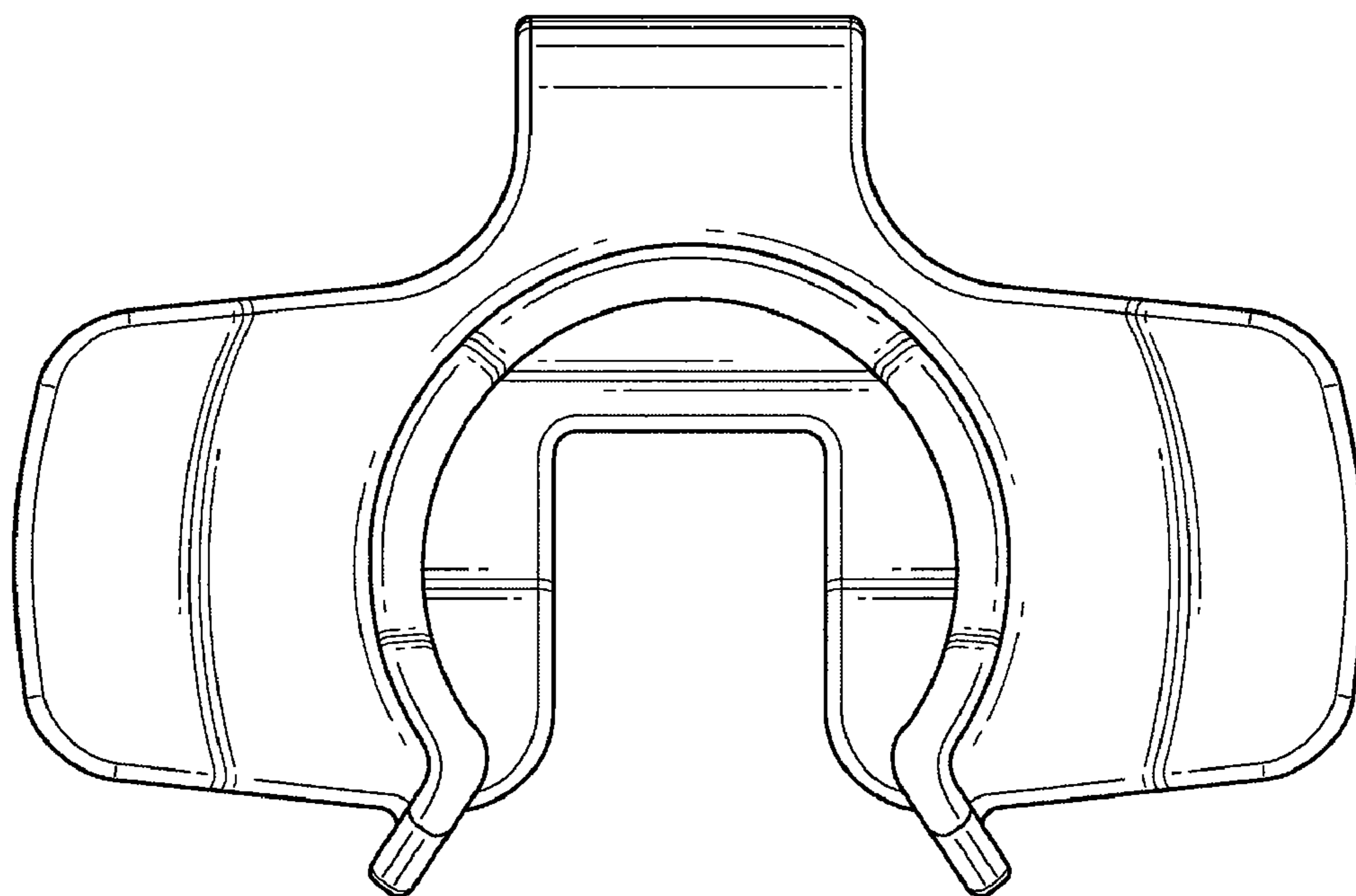


FIG. 16

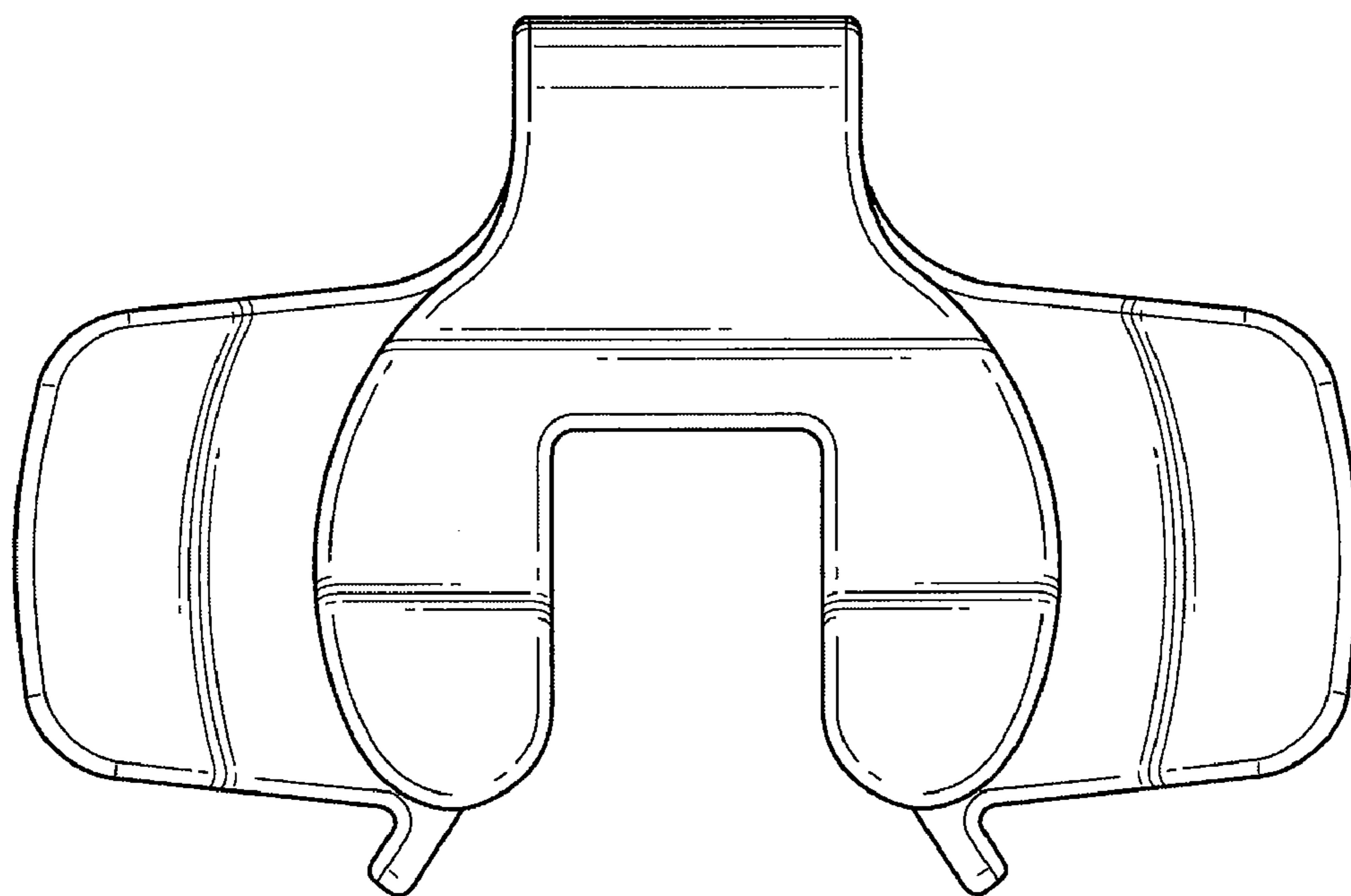


FIG. 17

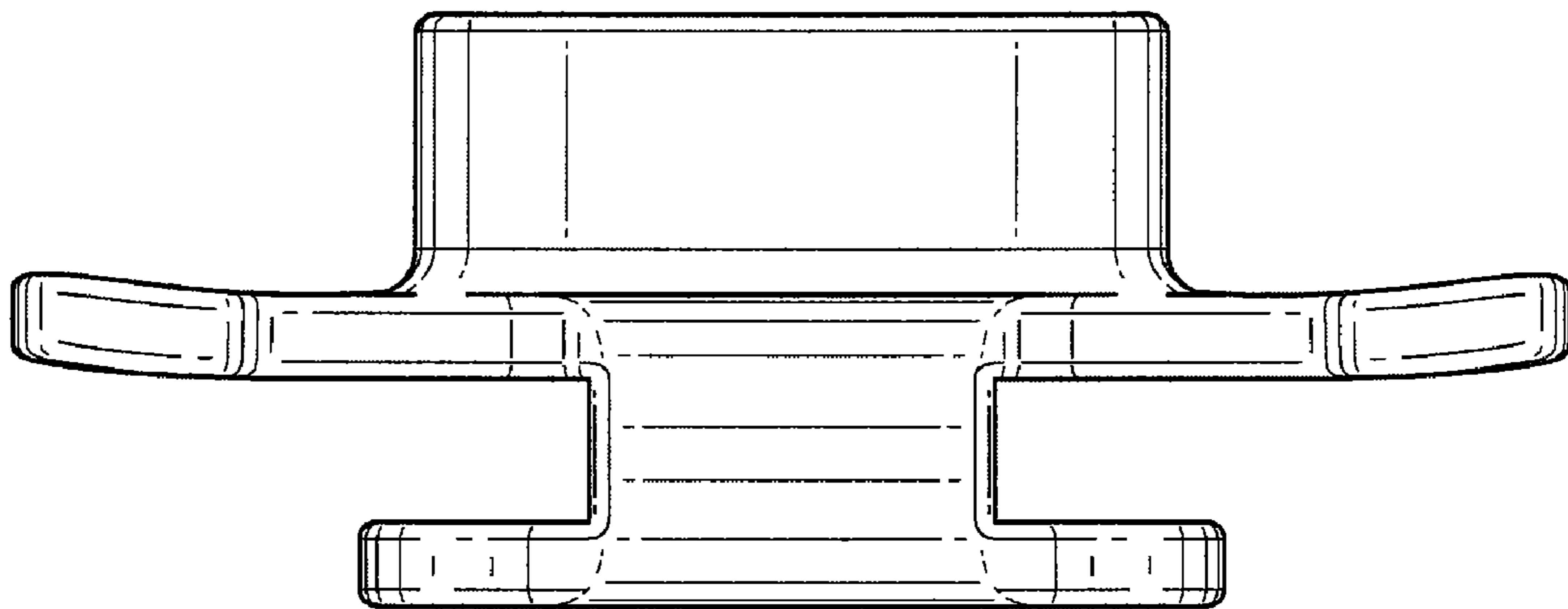


FIG. 18