



US00D581522S

(12) **United States Design Patent**  
**Randolph et al.**

(10) **Patent No.:** **US D581,522 S**  
(45) **Date of Patent:** **\*\* Nov. 25, 2008**

(54) **REDUCED PRESSURE TREATMENT SYSTEM**

*Primary Examiner*—Ian Simmons  
*Assistant Examiner*—Wan Laymon

(75) Inventors: **Larry Tab Randolph**, San Antonio, TX (US); **Shannon C. Ingram**, Bulverde, TX (US); **Carl Joseph Santora**, Helotes, TX (US)

(57) **CLAIM**

The ornamental design for a reduced pressure treatment system, as shown and described.

(73) Assignee: **KCI Licensing, Inc.**, San Antonio, TX (US)

(\*\*) Term: **14 Years**

**DESCRIPTION**

(21) Appl. No.: **29/286,575**

FIG. 1 is a front perspective view of a reduced pressure treatment system showing our new design;

(22) Filed: **May 11, 2007**

FIG. 2 is a front view thereof;

(51) **LOC (8) Cl.** ..... **24-02**

FIG. 3 is a right side view thereof;

(52) **U.S. Cl.** ..... **D24/111**

FIG. 4 is a left side view thereof;

(58) **Field of Classification Search** ..... D24/108,  
D24/133, 169, 145–147, 186, 111, 121; 604/313,  
604/317, 327, 543, 540, 151–155, 131, 74,  
604/290

FIG. 5 is a rear view thereof;

FIG. 6 is a top view thereof; and,

FIG. 7 is a bottom view thereof.

See application file for complete search history.

The broken lines illustrated in the drawings are for illustrative purposes only and form no part of the claimed design.

(56) **References Cited**

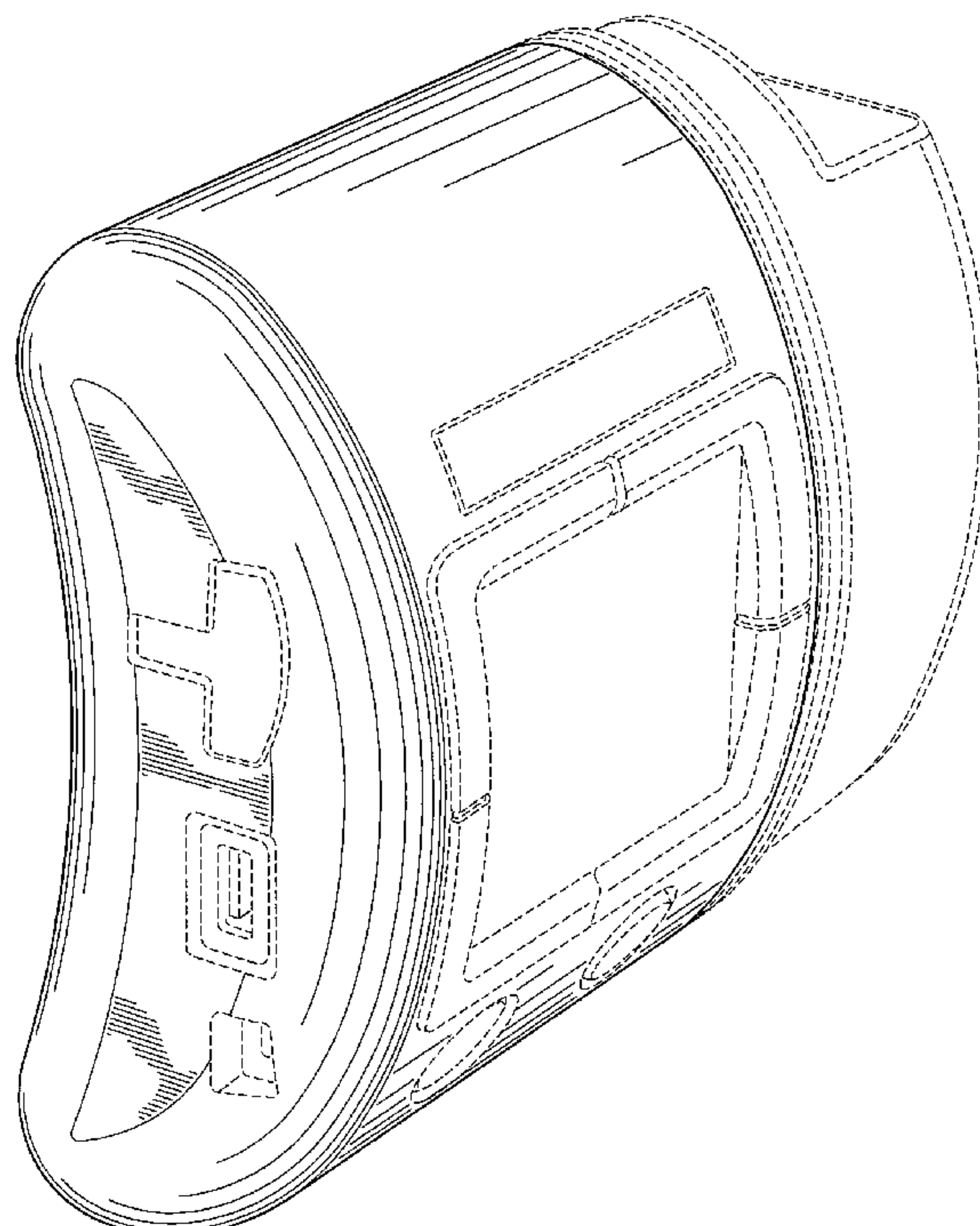
**U.S. PATENT DOCUMENTS**

D353,667 S *	12/1994	Tsubota et al.	.....	D24/111
D374,931 S *	10/1996	Cesaroni et al.	.....	D24/169
D469,176 S *	1/2003	Hall et al.	.....	D24/111
6,755,807 B2 *	6/2004	Risk et al.	.....	604/319
D516,210 S *	2/2006	Studenec	.....	D24/108
D556,910 S *	12/2007	Reihanifam et al.	.....	D24/169
D565,177 S *	3/2008	Locke et al.	.....	D24/111
2004/0006319 A1 *	1/2004	Lina et al.	.....	604/304
2008/0071216 A1 *	3/2008	Locke et al.	.....	604/119

This design is not limited to the exact details shown in the drawings, since equivalents and colorable limitations thereof will be evidence to a person of ordinary skill in the art. Surface ornamentation, markings, and labels may be removed without departing from the scope of the design. Thus, within the scope of the appended claim, which is intended to cover only the ornamental and novel elements shown in the drawings, the invention may be practiced otherwise than as specifically shown and described herein.

\* cited by examiner

**1 Claim, 5 Drawing Sheets**



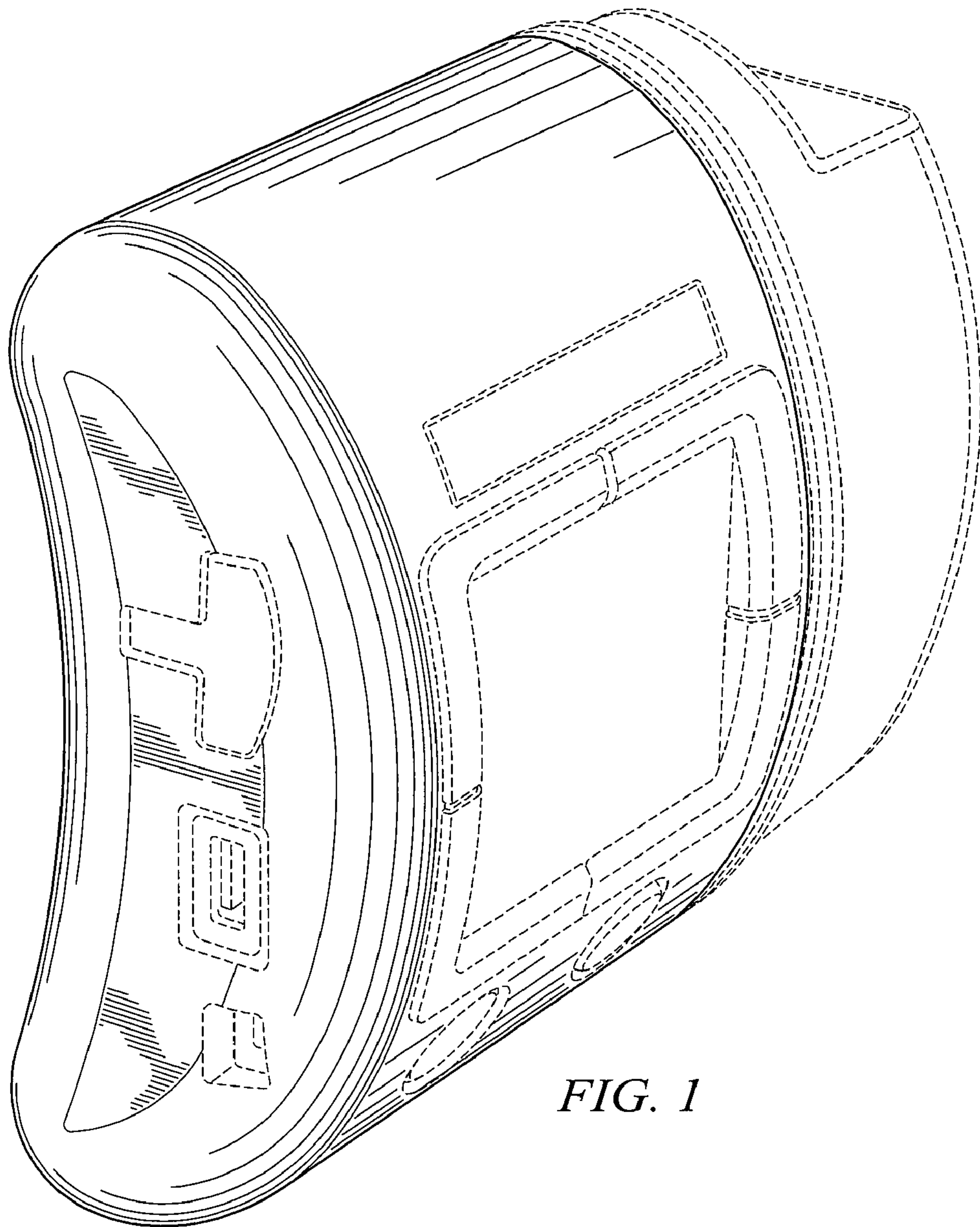


FIG. 1

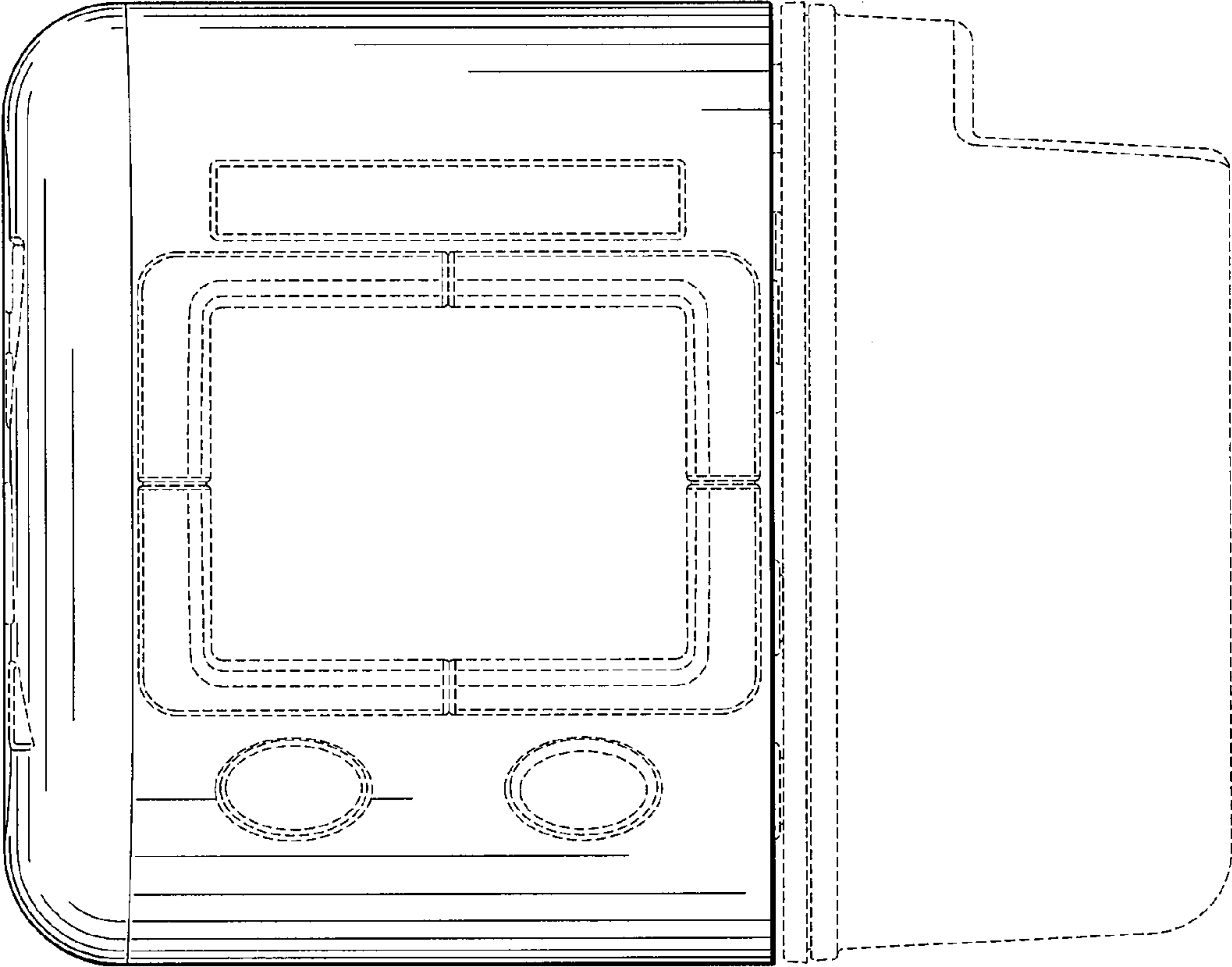


FIG. 2

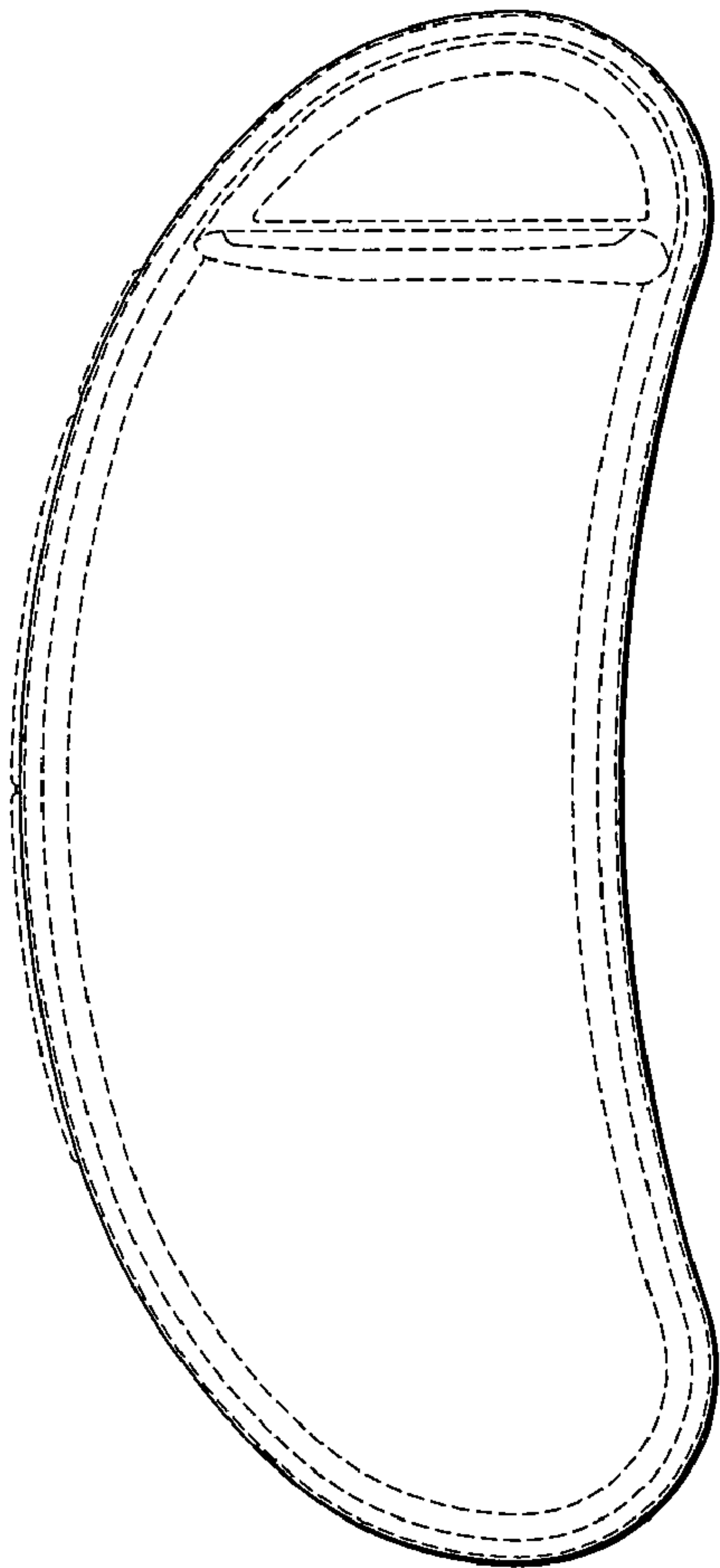


FIG. 3

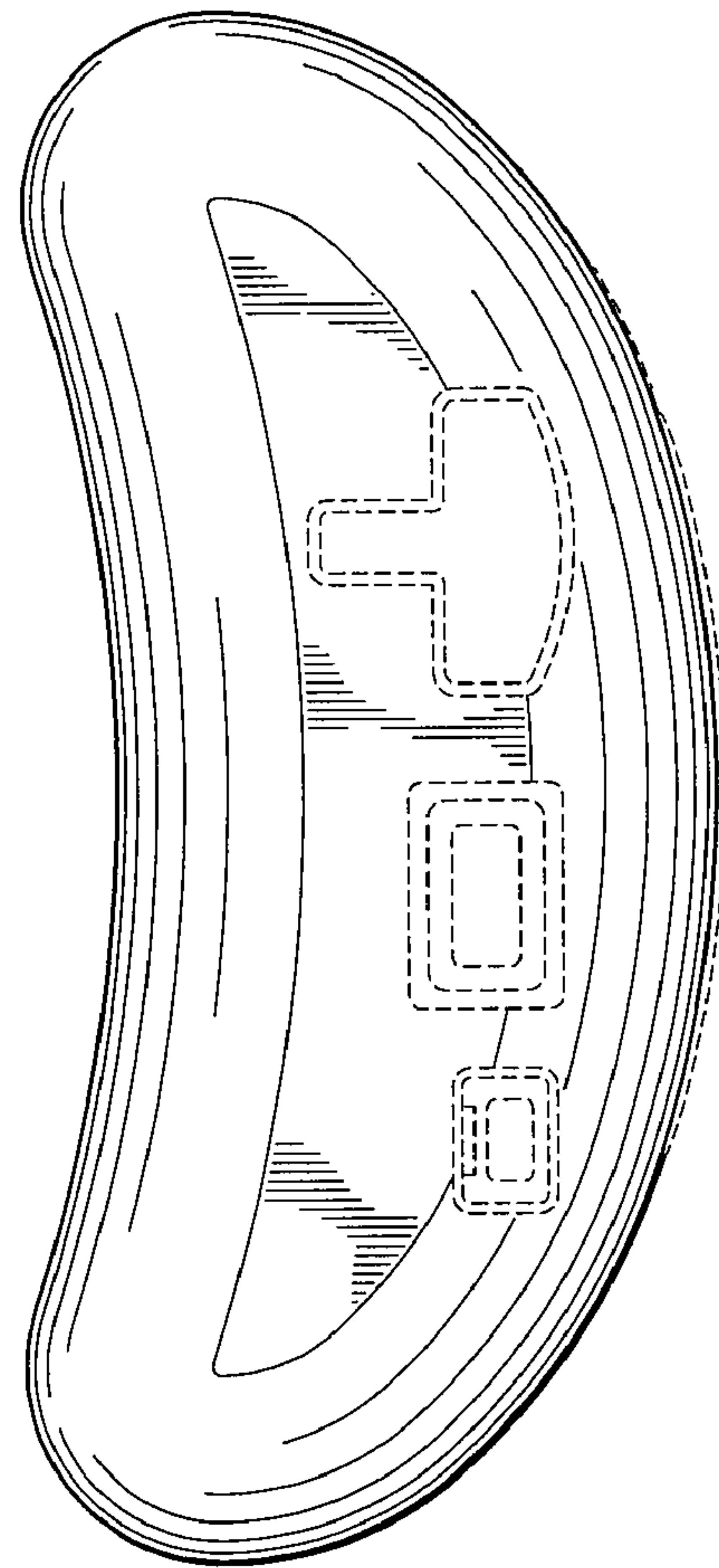


FIG. 4

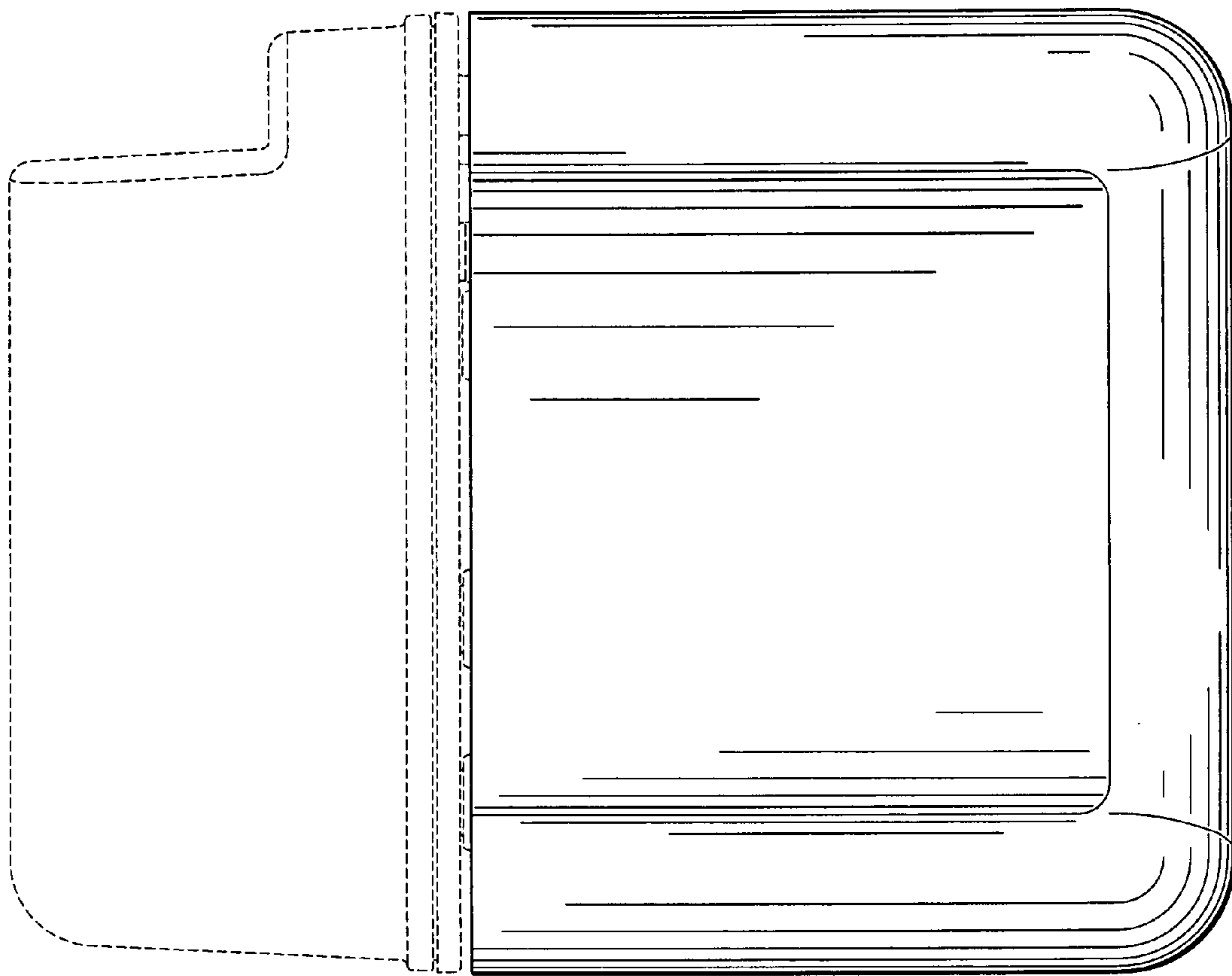


FIG. 5



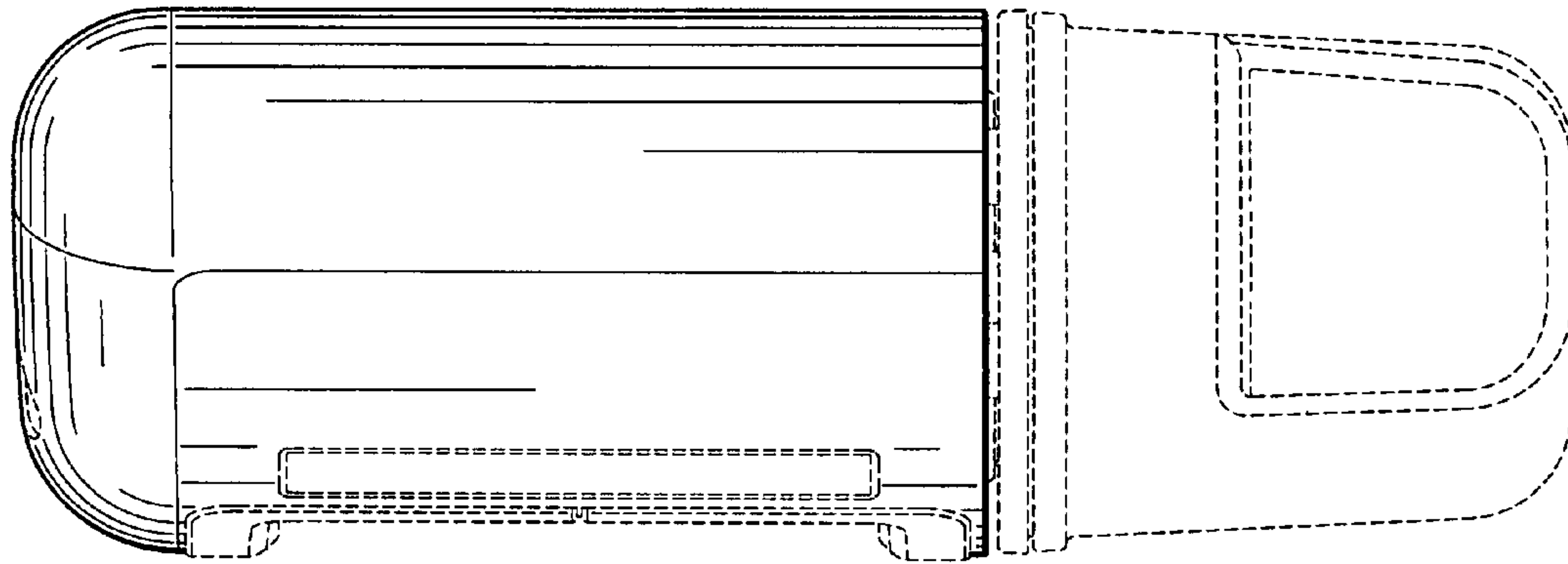


FIG. 6

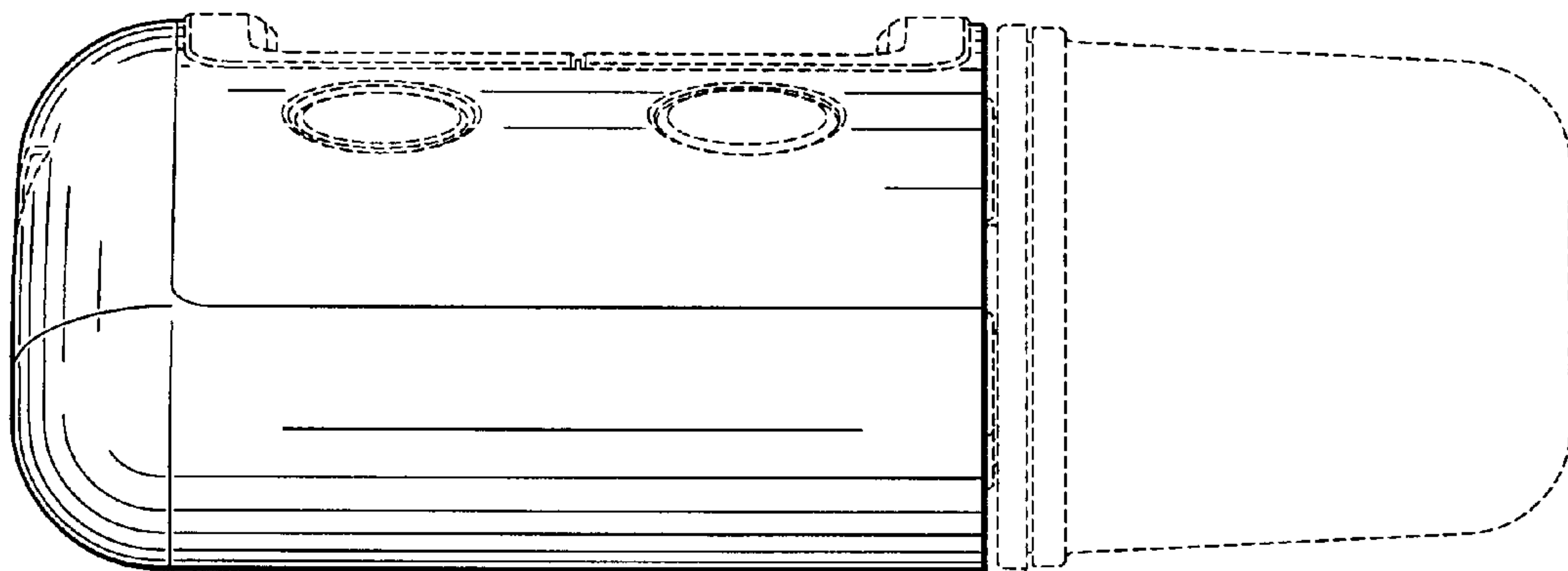


FIG. 7