



US00D581519S

(12) **United States Design Patent**
Schrag

(10) **Patent No.:** **US D581,519 S**

(45) **Date of Patent:** **** Nov. 25, 2008**

(54) **HAND HELD DOUCHE/BIDET APPARATUS**

(76) Inventor: **John A Schrag**, 9330 NE. Sacramento St., Portland, OR (US) 97220

(**) Term: **14 Years**

(21) Appl. No.: **29/245,464**

(22) Filed: **Dec. 22, 2005**

Related U.S. Application Data

(63) Continuation of application No. 10/377,084, filed on Feb. 26, 2003, now abandoned.

(51) **LOC (8) Cl.** **24-01**

(52) **U.S. Cl.** **D24/108; D23/223**

(58) **Field of Classification Search** D24/108, D24/112, 115, 141, 152; 604/150, 279; D23/223, D23/309, 213; 4/605, 420.4, 447, 448, 443, 4/597, 615, 570; 239/444, 529, 531, 586
See application file for complete search history.

(56) **References Cited**

U.S. PATENT DOCUMENTS

1,056,811	A *	3/1913	McElroy	239/567
2,550,565	A *	4/1951	Hyser	433/88
2,605,477	A *	8/1952	Monserrat	4/448
D237,708	S *	11/1975	Grohe	D23/223
4,391,004	A *	7/1983	Kawai et al.	4/443
D288,839	S *	3/1987	Hengesbach	D23/223
5,035,010	A *	7/1991	Sakamoto et al.	4/567
D322,119	S *	12/1991	Haug et al.	D23/223
5,271,104	A *	12/1993	LaTora	4/420.4
6,006,372	A *	12/1999	Chang	4/420.2
D447,556	S *	9/2001	Clifton	D24/108

6,293,928	B1 *	9/2001	Fasani	604/279
6,785,915	B1 *	9/2004	Daugherty	4/448
D498,288	S *	11/2004	Chen	D23/223
D544,570	S *	6/2007	De Alba	D23/223
D544,571	S *	6/2007	De Alba	D23/223
D544,572	S *	6/2007	De Alba	D23/223
2003/0208843	A1 *	11/2003	Schrag	4/615

* cited by examiner

Primary Examiner—Ian Simmons
Assistant Examiner—Carissa C Fitts
(74) *Attorney, Agent, or Firm*—patenttm.us

(57) **CLAIM**

I claim the ornamental design for a hand held douche/bidet apparatus, as shown and described.

DESCRIPTION

FIG. 1 is an environmental side view of the design for a hand held douche/bidet apparatus;

FIG. 2 is a perspective view of the design of FIG. 1;

FIG. 3 is a top view of the design of FIG. 1;

FIG. 4 is a left side view of the design of FIG. 1;

FIG. 5 is a bottom side view of the design of FIG. 1;

FIG. 6 is a rear view of the design of FIG. 1;

FIG. 7 is a right side view of the design of FIG. 1; and,

FIG. 8 is a front view of the design of FIG. 1.

The broken lines in the figures are directed to environment and are for illustrative purposes only, and form no part of the claimed design.

1 Claim, 3 Drawing Sheets

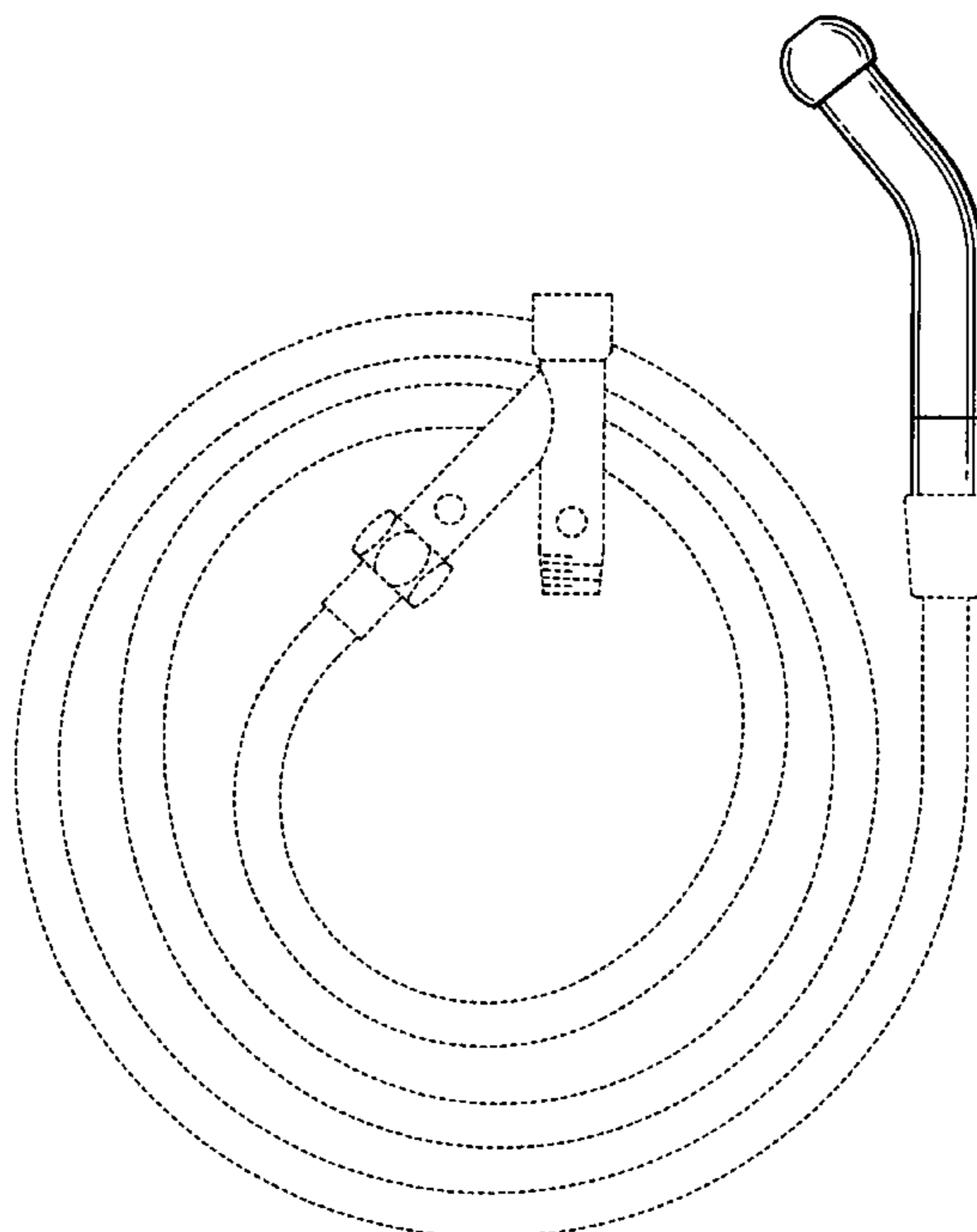


FIG.1

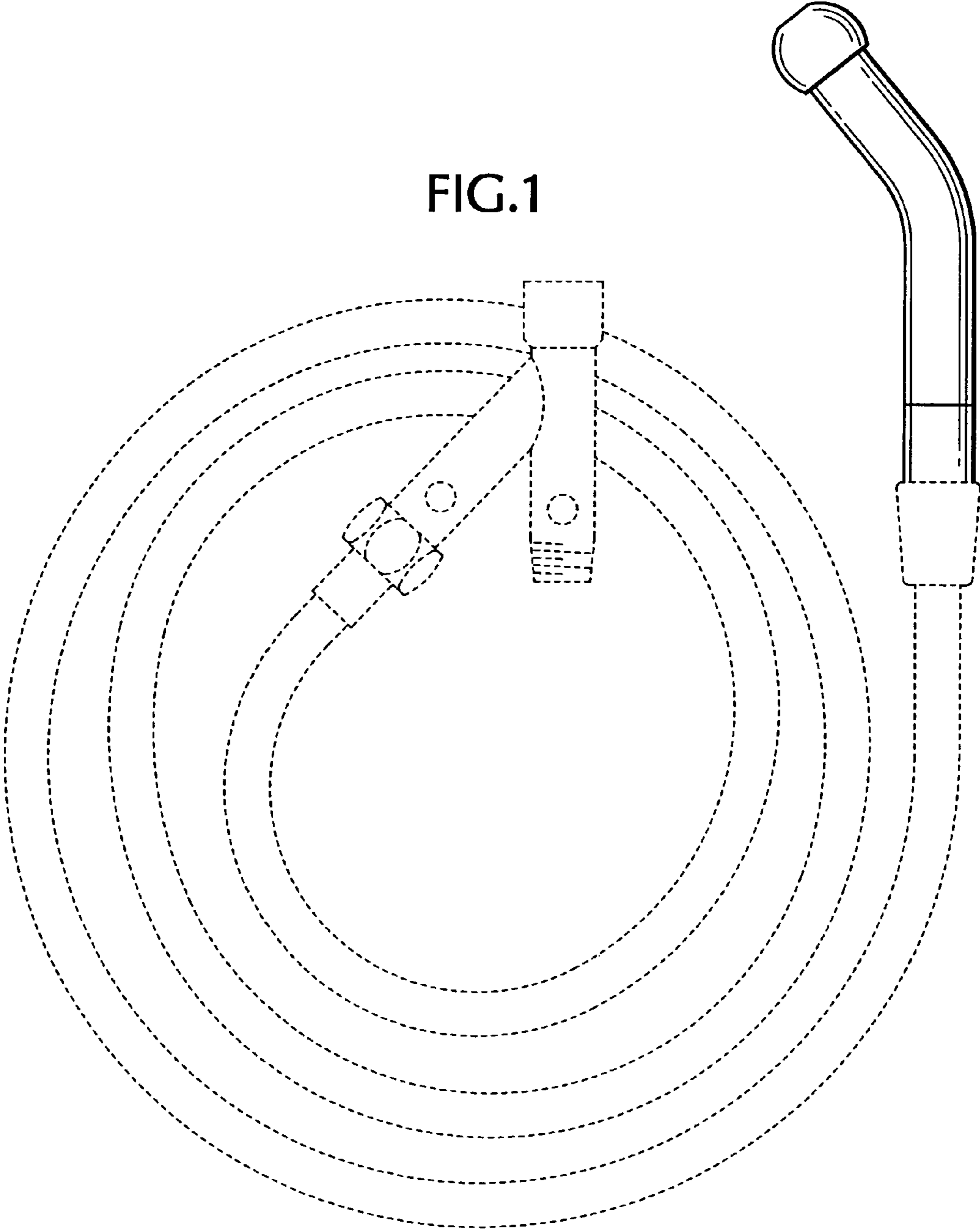


FIG.3

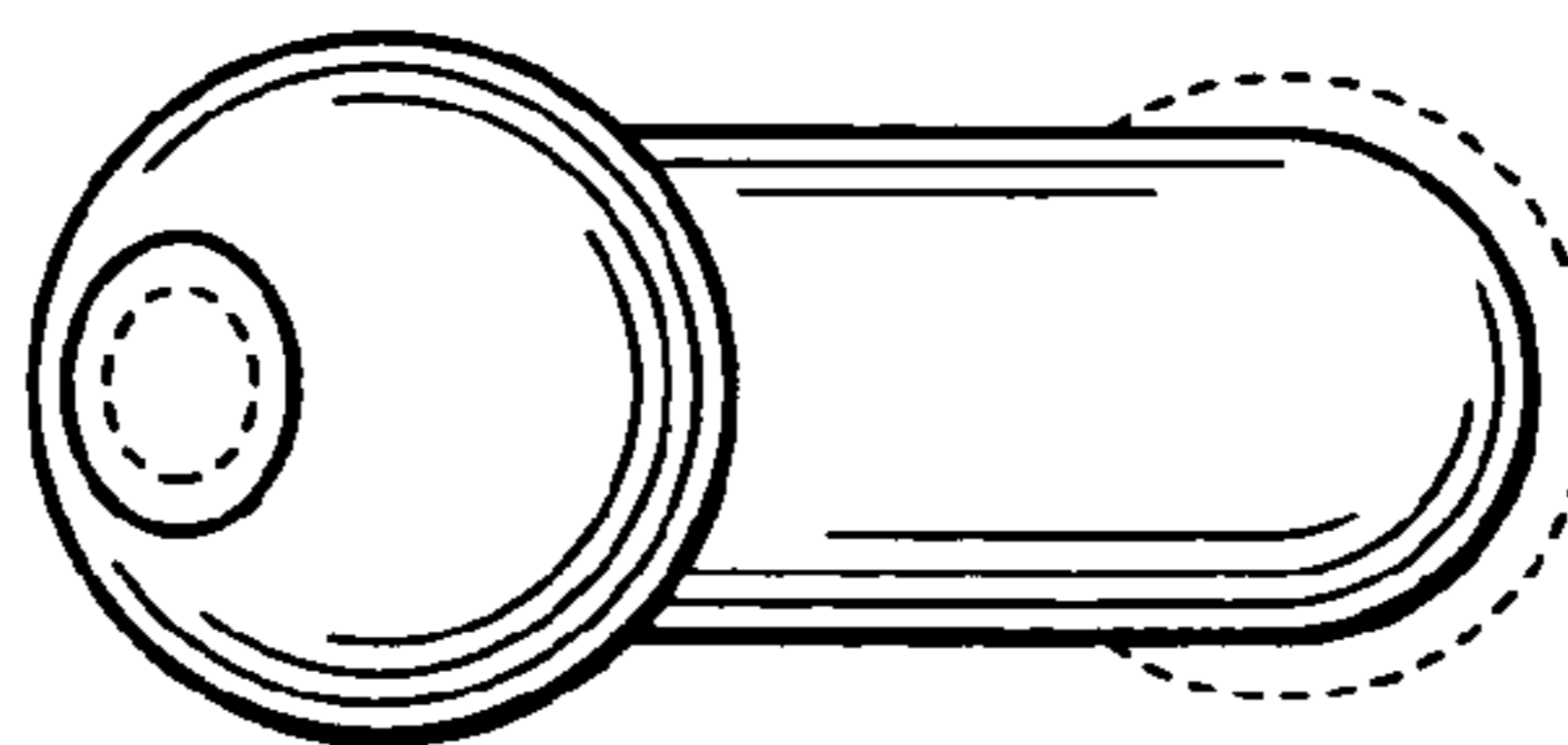


FIG.2

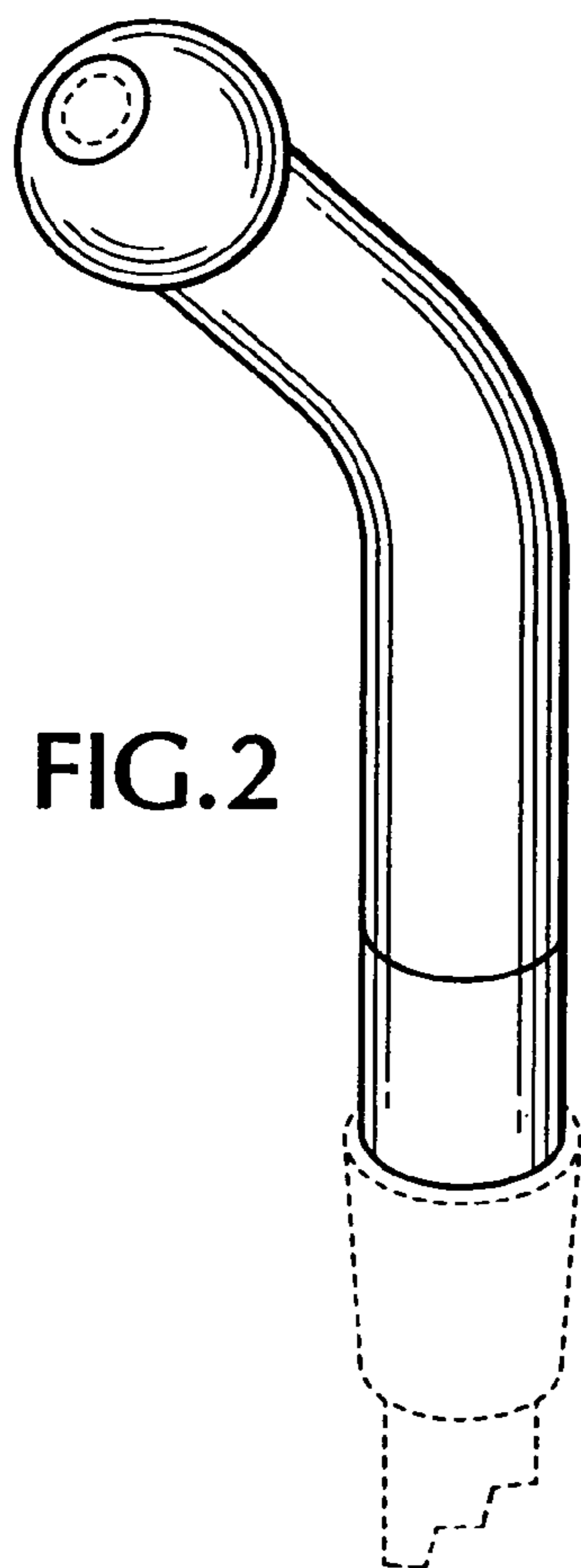


FIG.4

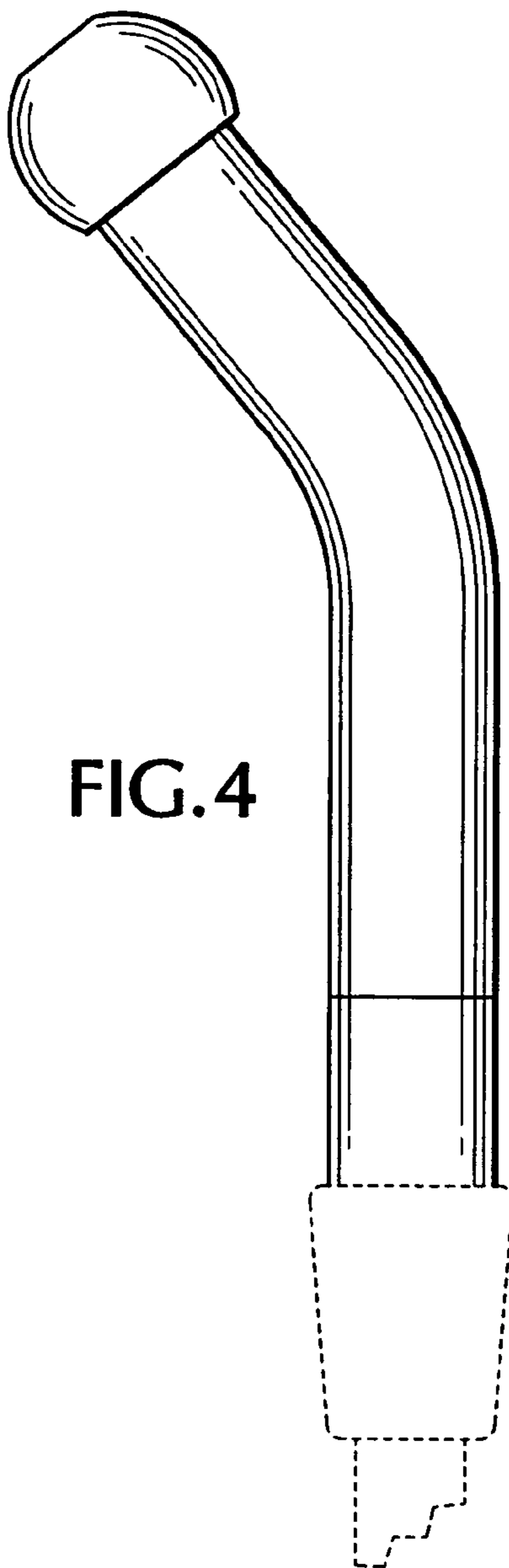
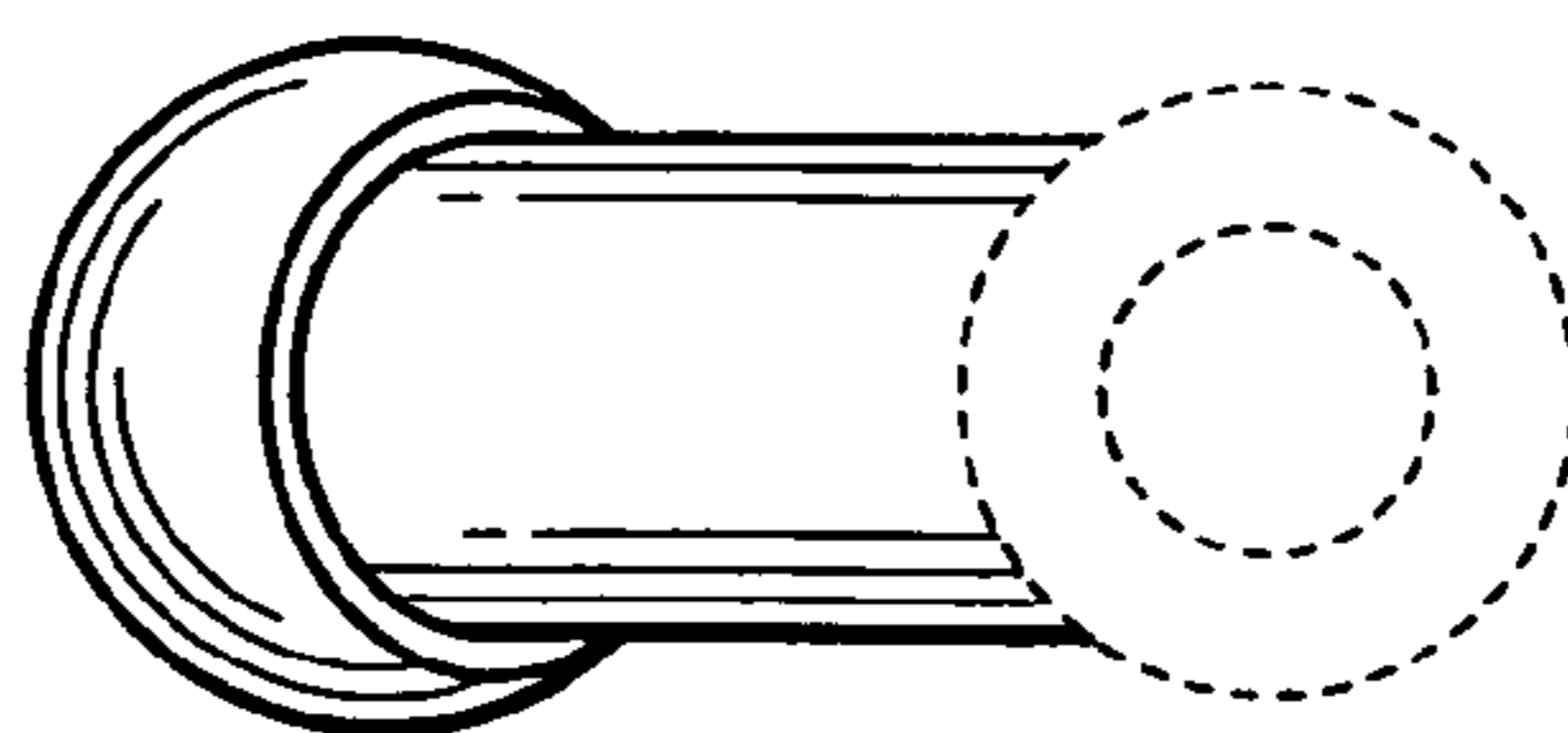


FIG.5



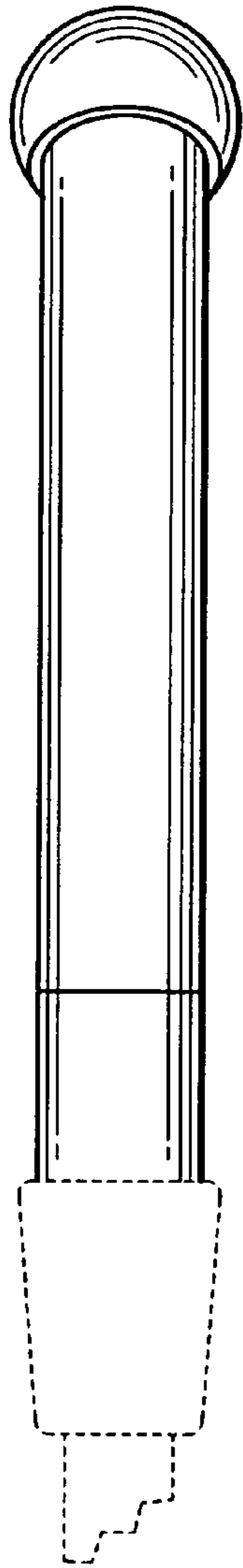


FIG. 6

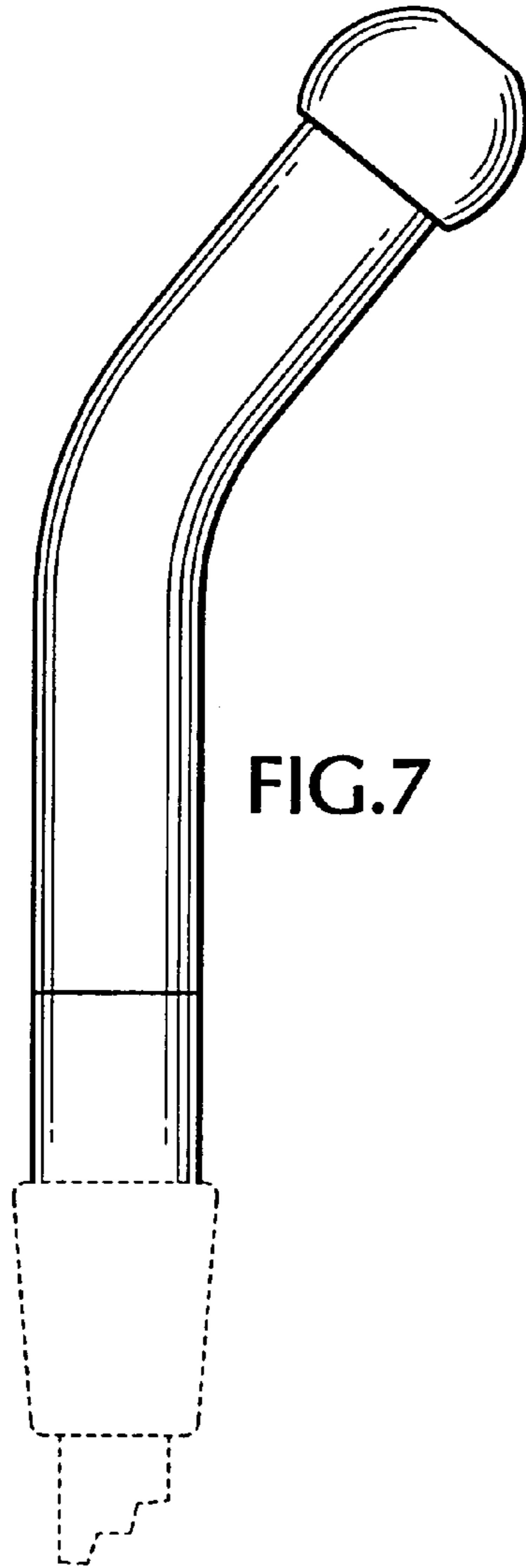


FIG. 7

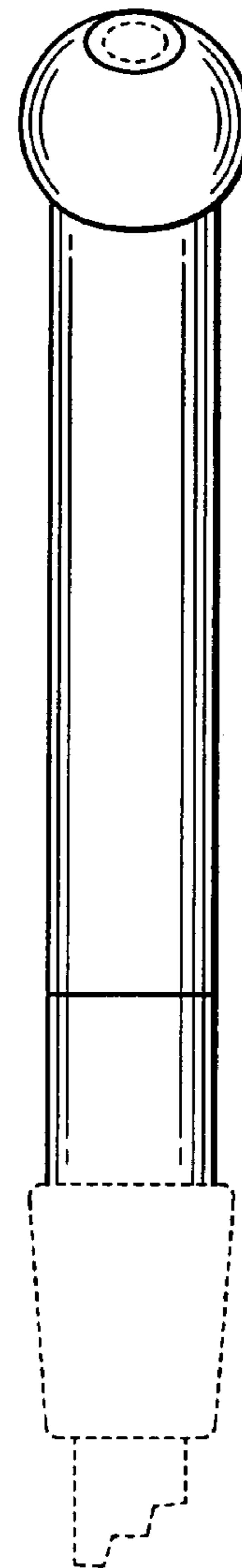


FIG. 8