



US00D581515S

(12) **United States Design Patent**
Pickett

(10) **Patent No.:** **US D581,515 S**

(45) **Date of Patent:** **** Nov. 25, 2008**

(54) **BLADE HOLDER**

(76) Inventor: **Mark Pickett**, 1419 E. Palm St.,
Altadena, CA (US) 91001

(**) Term: **14 Years**

(21) Appl. No.: **29/306,642**

(22) Filed: **Apr. 14, 2008**

(51) **LOC (8) Cl.** **23-04**

(52) **U.S. Cl.** **D23/411**

(58) **Field of Classification Search** D23/411,
D23/377, 379, 385; 416/5

See application file for complete search history.

(56) **References Cited**

U.S. PATENT DOCUMENTS

D358,878 S *	5/1995	Tsuji	D23/377
D442,275 S *	5/2001	Dolan	D23/411
D562,964 S *	2/2008	Pickett	D23/411
D573,245 S *	7/2008	Pan	D23/411

* cited by examiner

Primary Examiner—Lisa P Lichtenstein

(74) *Attorney, Agent, or Firm*—Parsons & Goltry; Michael W. Goltry; Robert A. Parsons

(57) **CLAIM**

The ornamental design for a blade holder, as shown and described.

DESCRIPTION

FIG. 1 is a bottom perspective view of a blade holder showing my new design;

FIG. 2 is a top perspective view thereof;

FIG. 3 is a bottom plan view thereof;

FIG. 4 is a top plan view thereof;

FIG. 5 is a right side elevational view thereof;

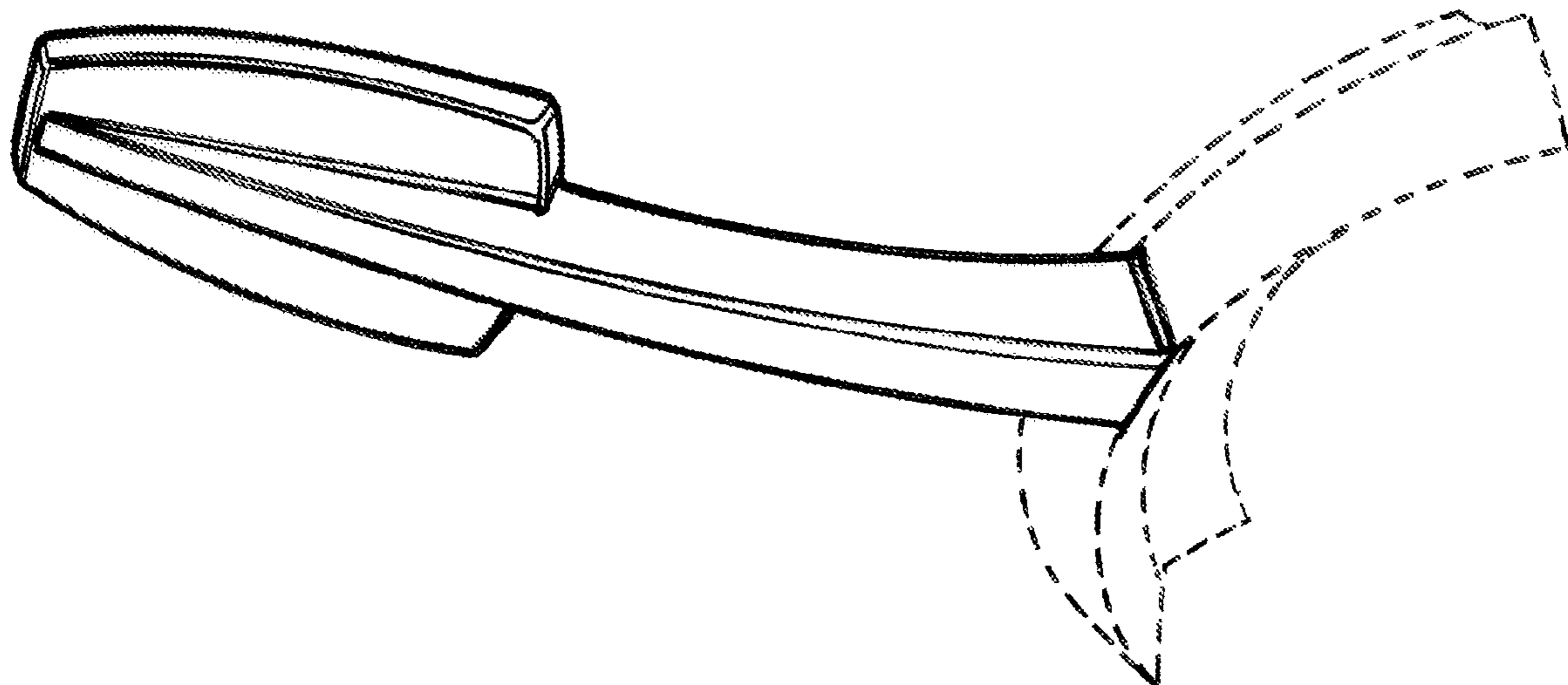
FIG. 6 is a left side elevational view thereof;

FIG. 7 is a front elevational view thereof; and,

FIG. 8 is a rear elevational view thereof.

The broken line showing of the blade holder attachment member is included for the purpose of illustrating environmental structure and forms no part of the claimed design.

1 Claim, 4 Drawing Sheets



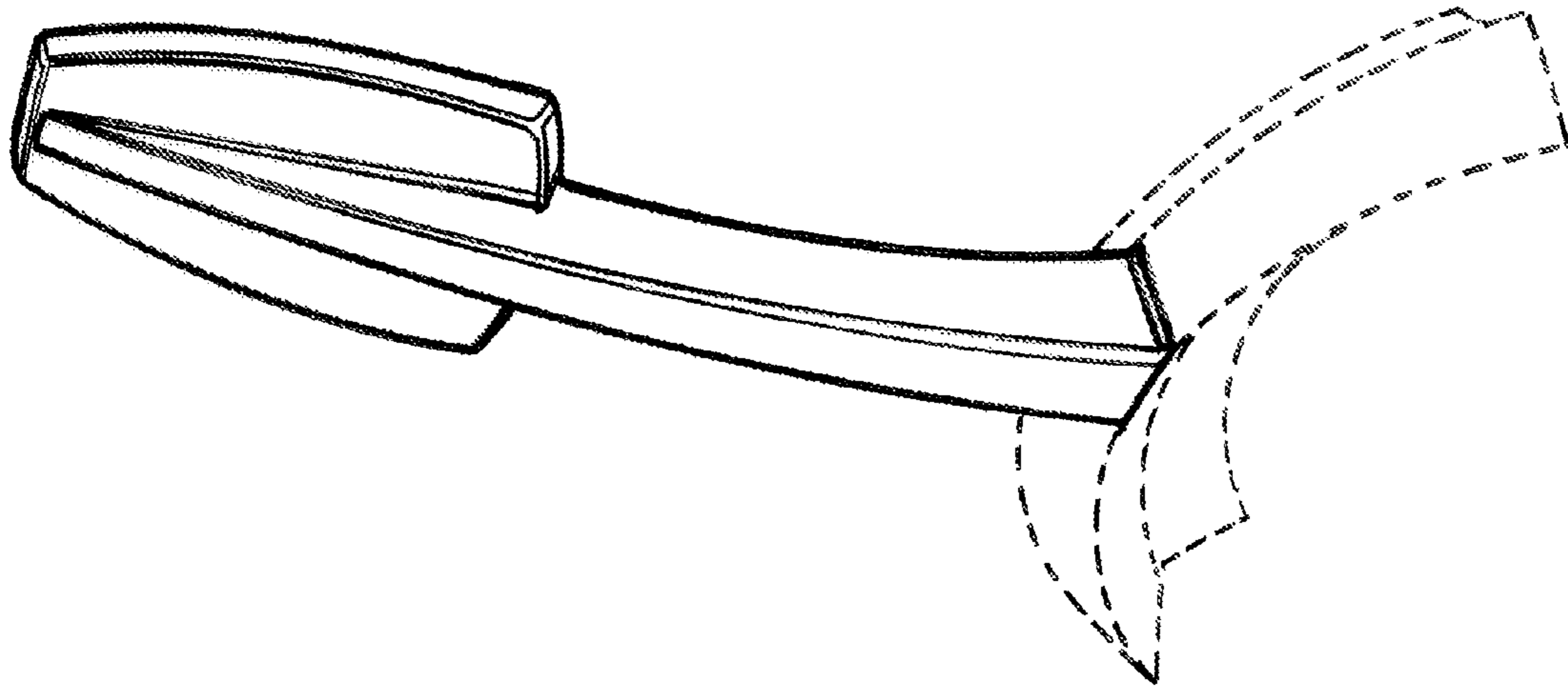


FIG. 1

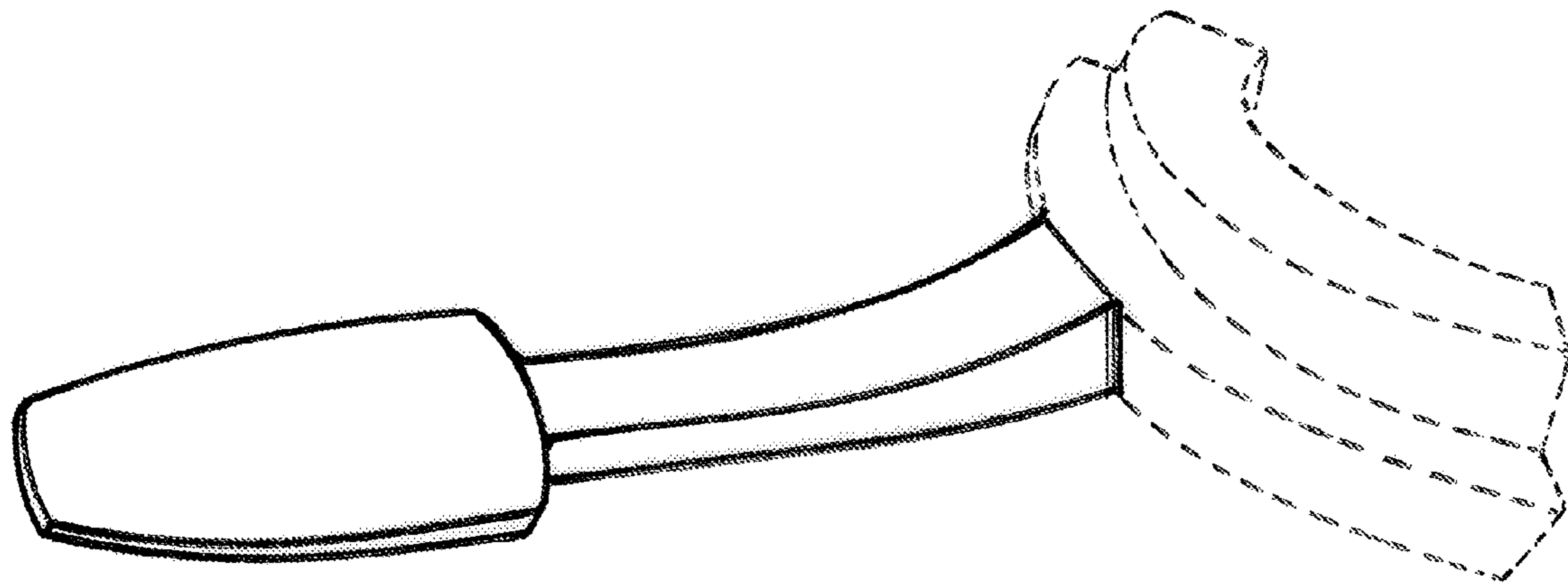


FIG. 2

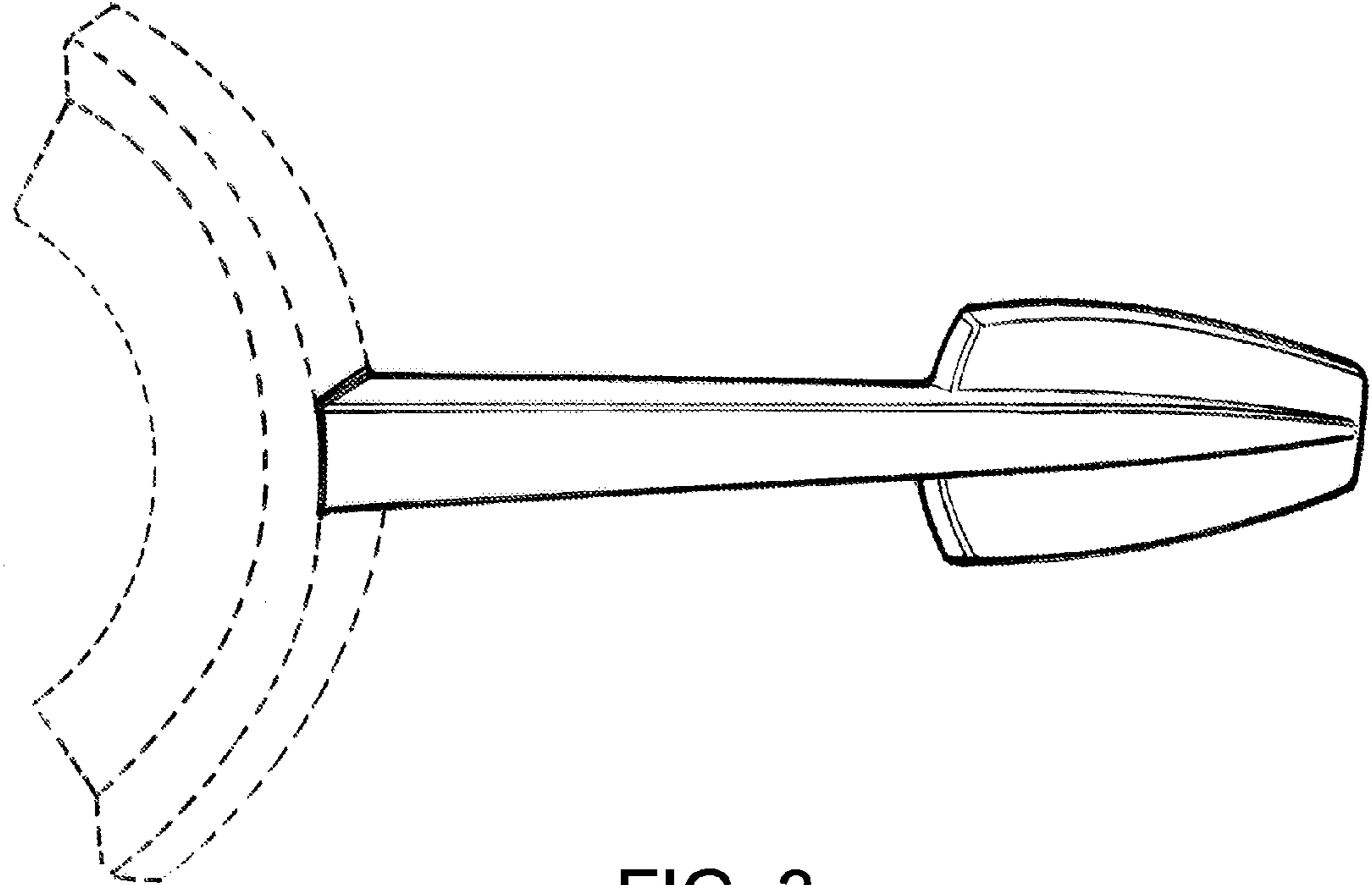


FIG. 3

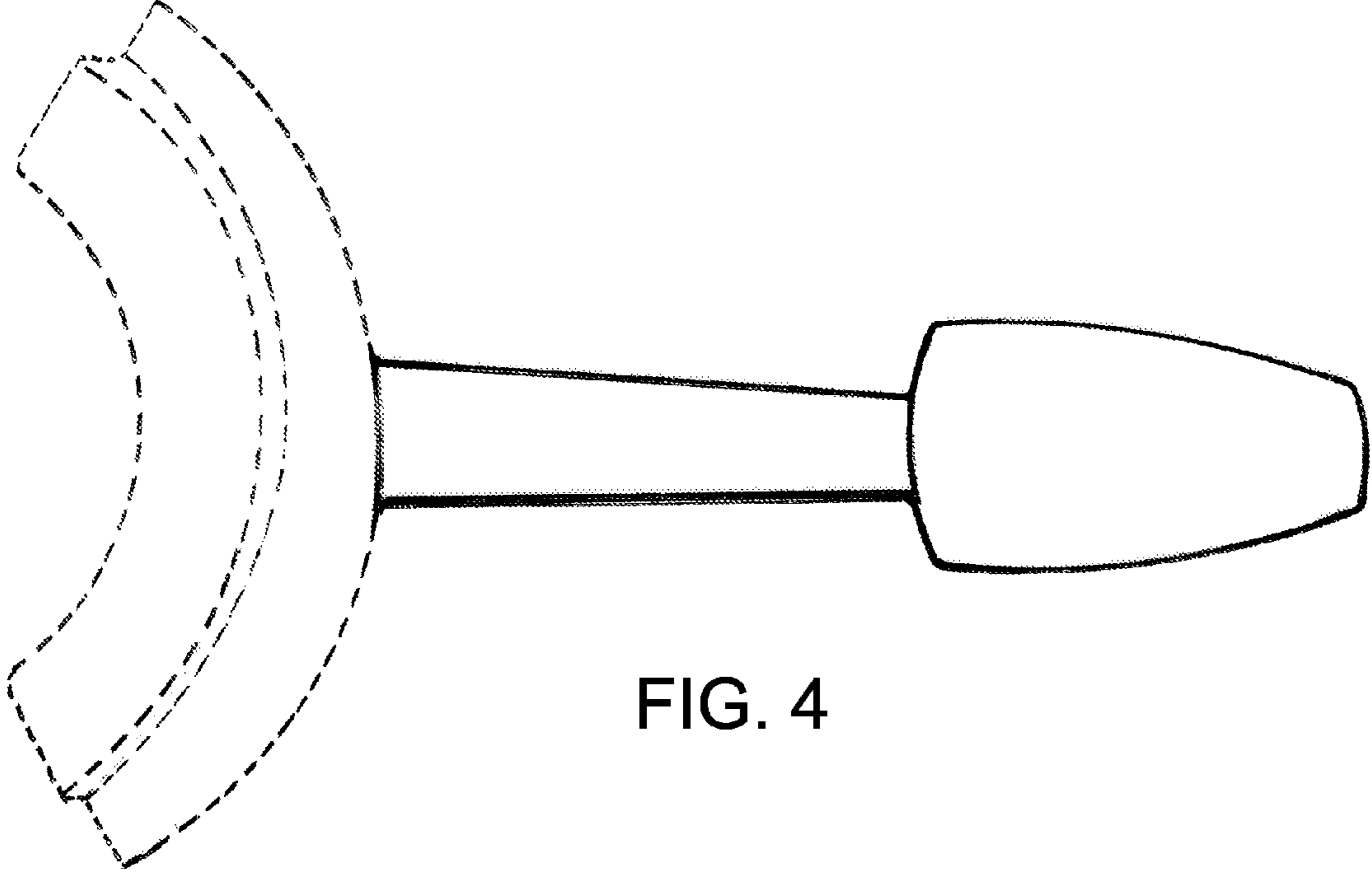


FIG. 4



FIG. 5



FIG. 6

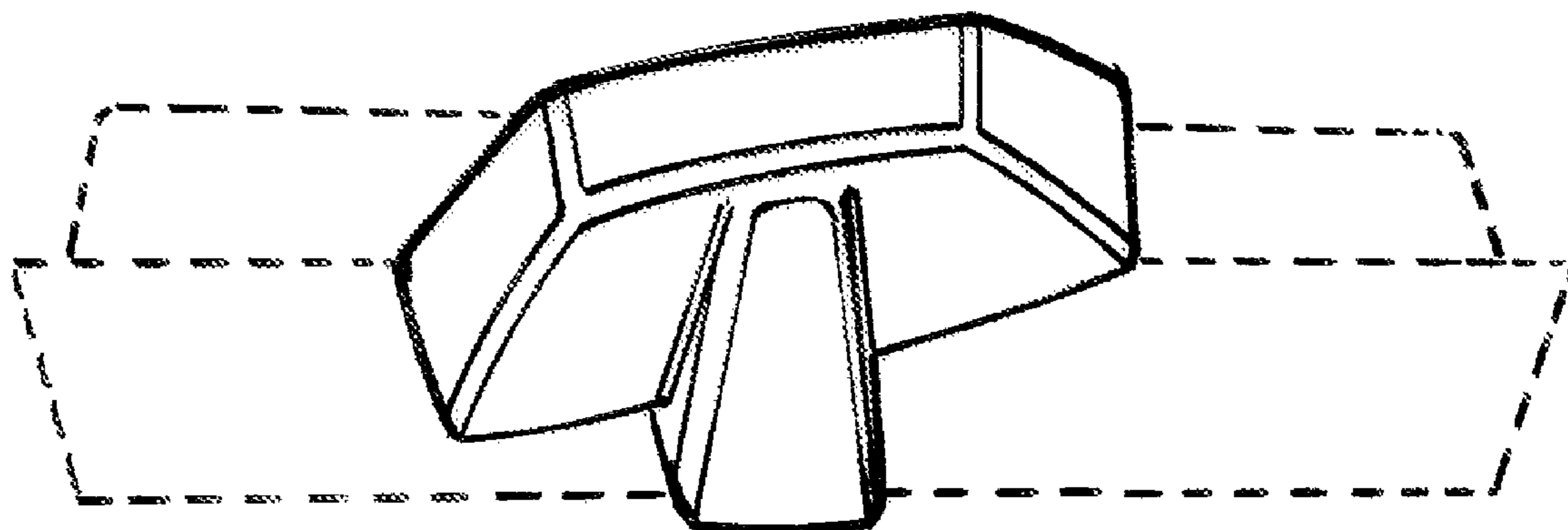


FIG. 7

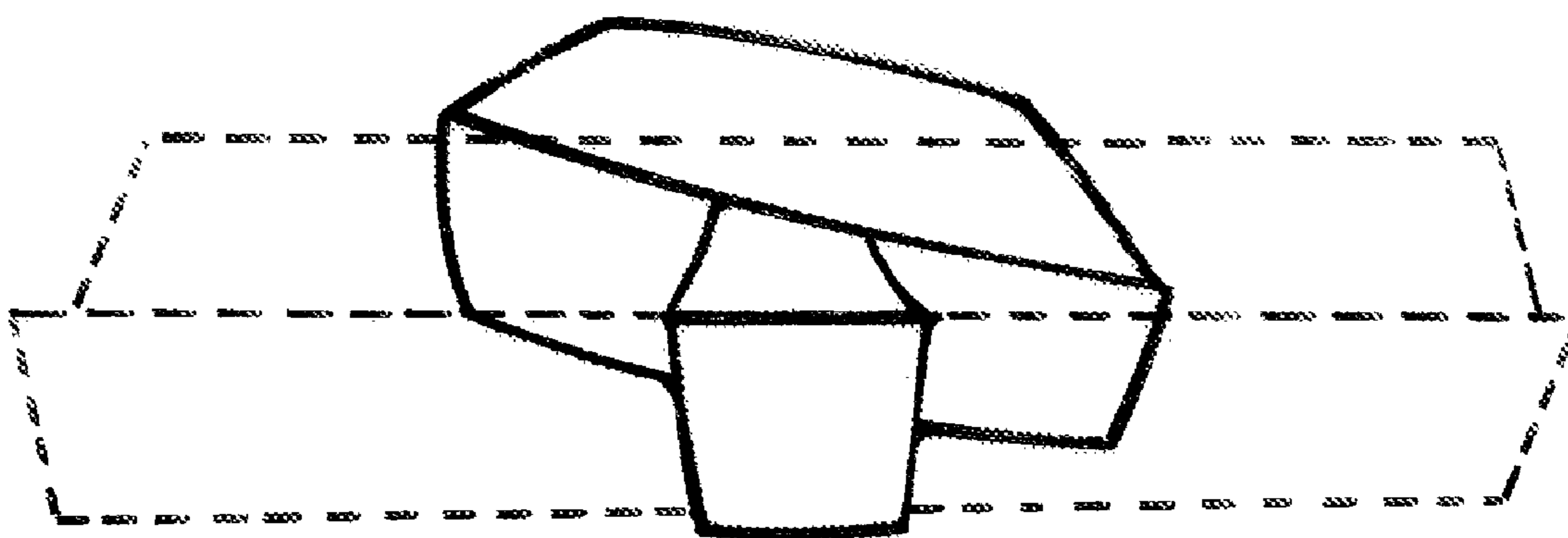


FIG. 8