



US00D581513S

(12) **United States Design Patent**  
**Pickett**

(10) **Patent No.:** **US D581,513 S**

(45) **Date of Patent:** **\*\* Nov. 25, 2008**

(54) **CEILING FAN HOUSING**

(76) **Inventor:** **Mark Pickett**, 1419 E. Palm St.,  
Altadena, CA (US) 91001

(\*\*) **Term:** **14 Years**

(21) **Appl. No.:** **29/305,747**

(22) **Filed:** **Mar. 27, 2008**

(51) **LOC (8) Cl.** ..... **23-04**

(52) **U.S. Cl.** ..... **D23/411**

(58) **Field of Classification Search** ..... D23/411,  
D23/377, 379, 385; 416/5

See application file for complete search history.

(56) **References Cited**

**U.S. PATENT DOCUMENTS**

D391,358 S \* 2/1998 Gee et al. .... D23/411

D529,163 S \* 9/2006 Young ..... D23/377

\* cited by examiner

*Primary Examiner*—Lisa P Lichtenstein

(74) *Attorney, Agent, or Firm*—Parsons & Goltry; Michael W.  
Goltry; Robert A. Parsons

(57) **CLAIM**

The ornamental design for a ceiling fan housing, as shown  
and described.

**DESCRIPTION**

FIG. 1 is a top perspective view of a ceiling fan housing  
showing my new design;

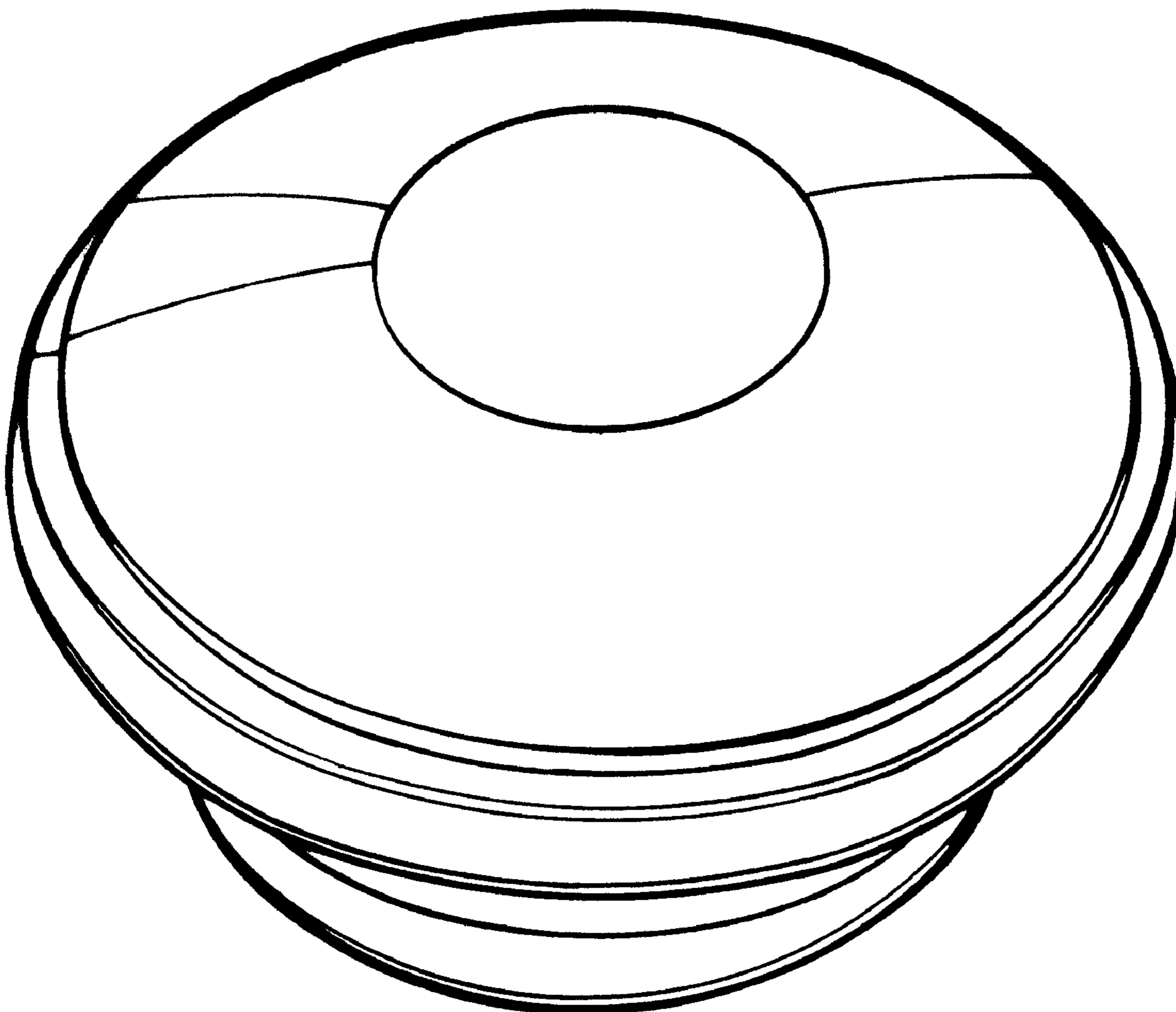
FIG. 2 is a bottom perspective view thereof;

FIG. 3 is front elevational view thereof, the rear elevational  
view thereof, the left side elevational view thereof, and the  
right side elevational view thereof being substantially the  
same thereof;

FIG. 4 is a top plan view thereof; and,

FIG. 5 is a bottom plan view thereof.

**1 Claim, 5 Drawing Sheets**



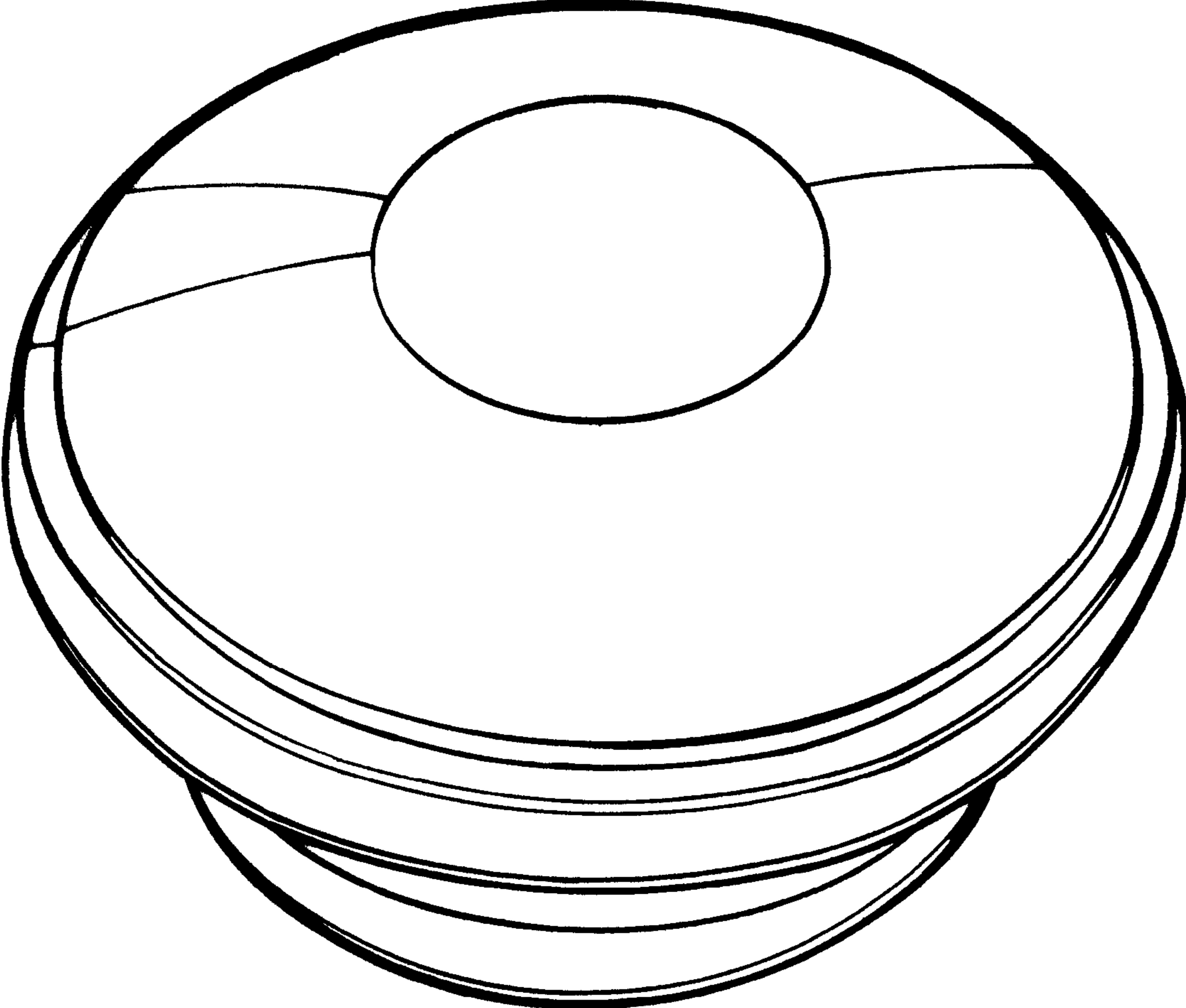


FIG. 1

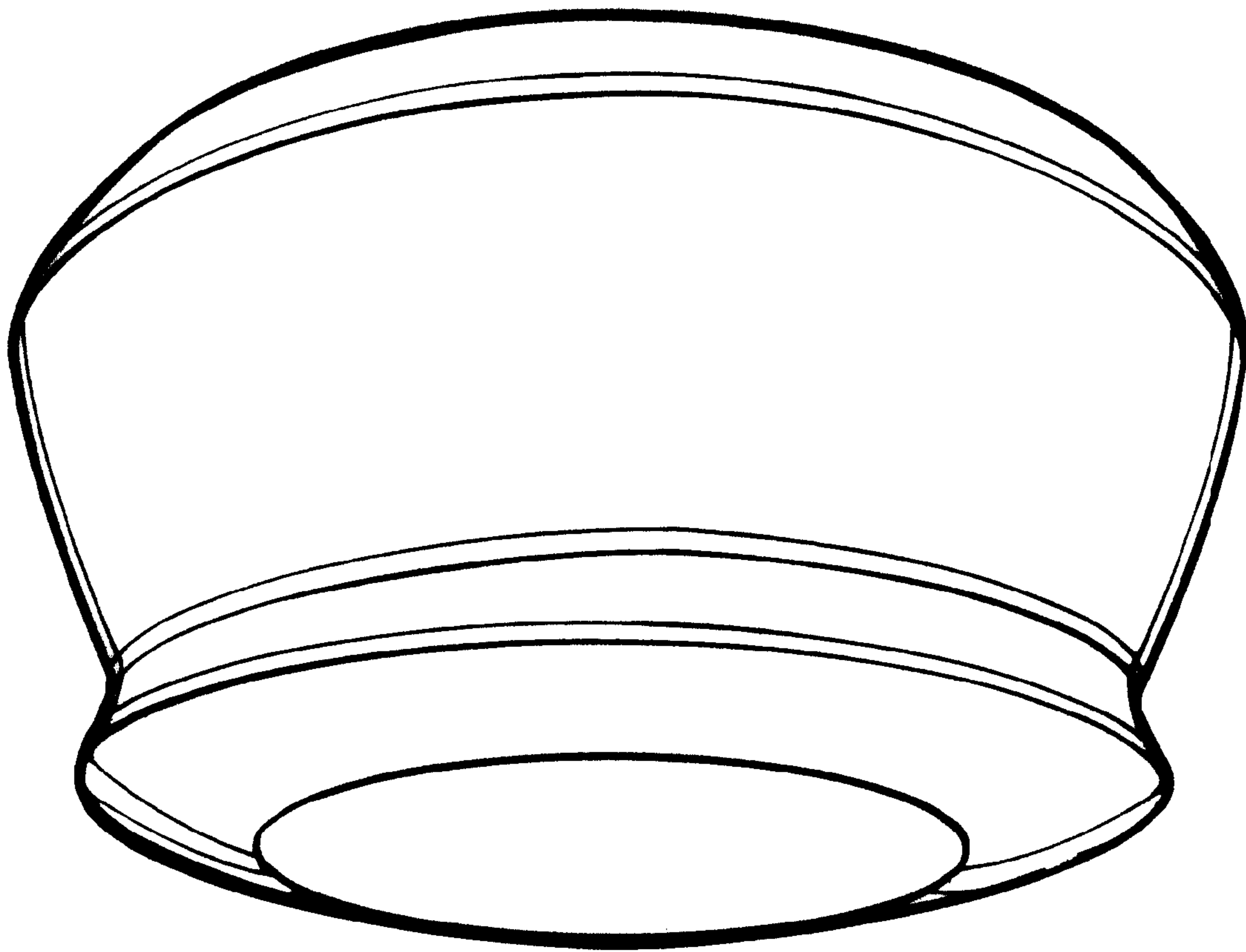


FIG. 2

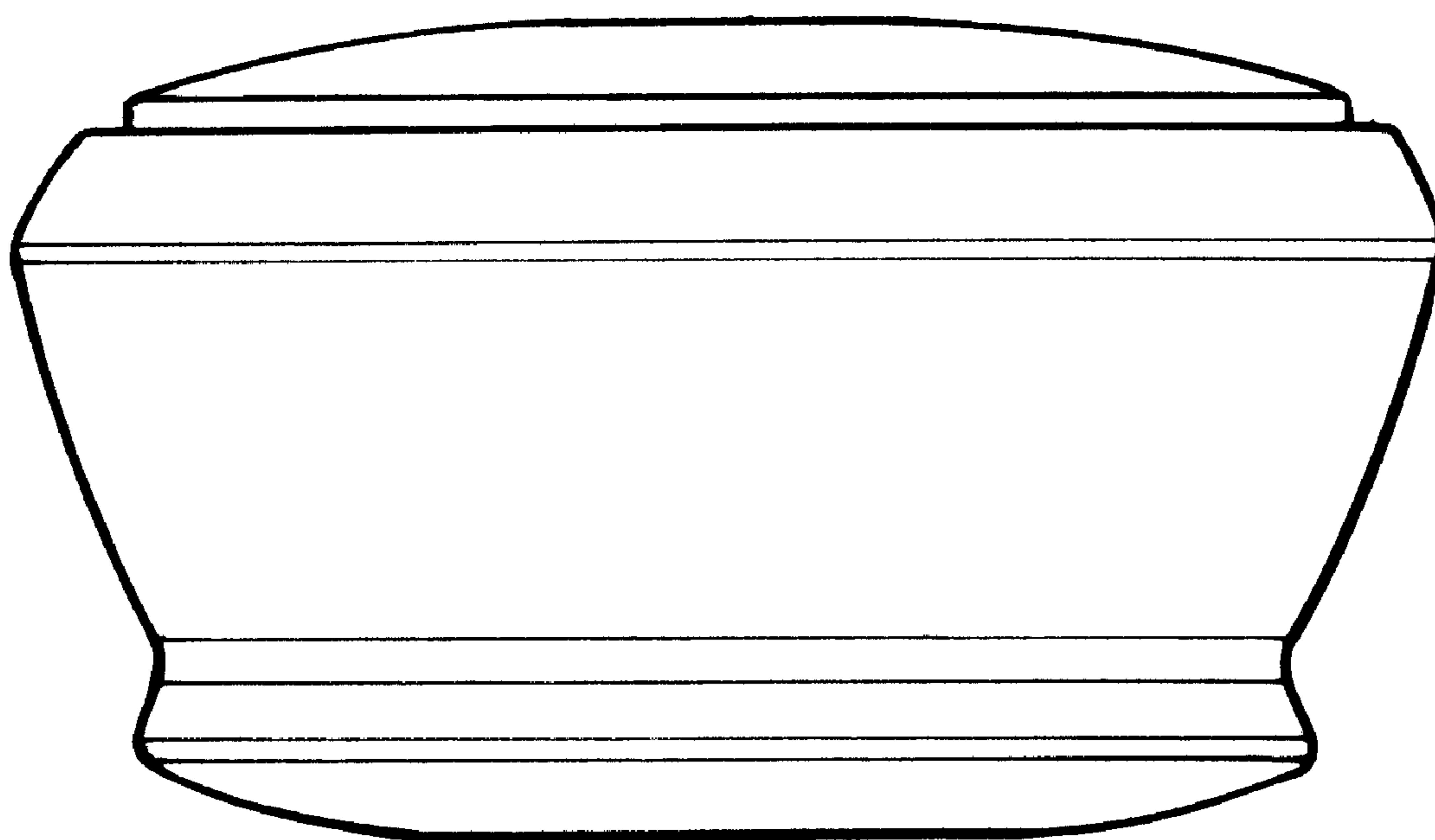


FIG. 3

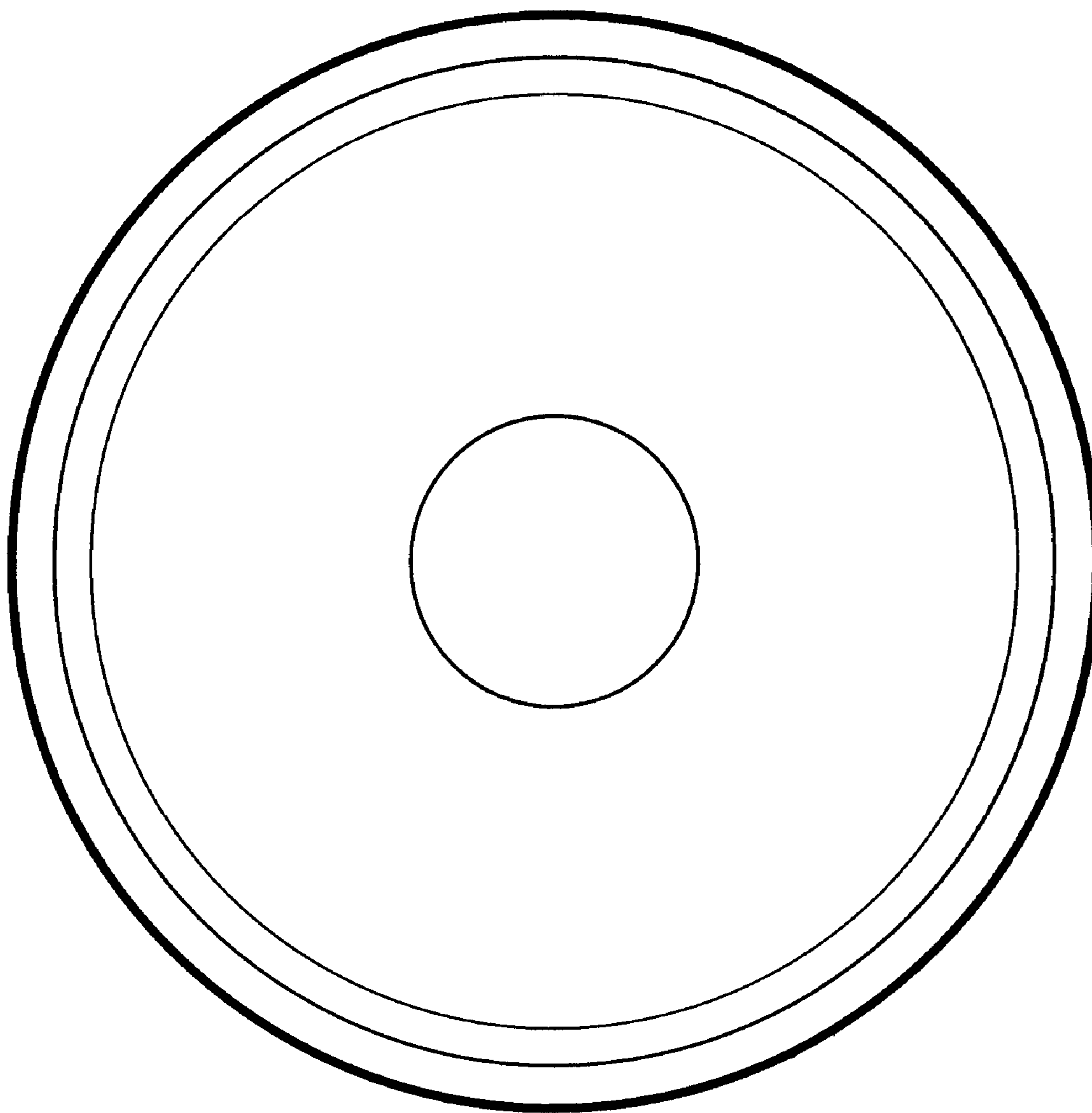


FIG. 4

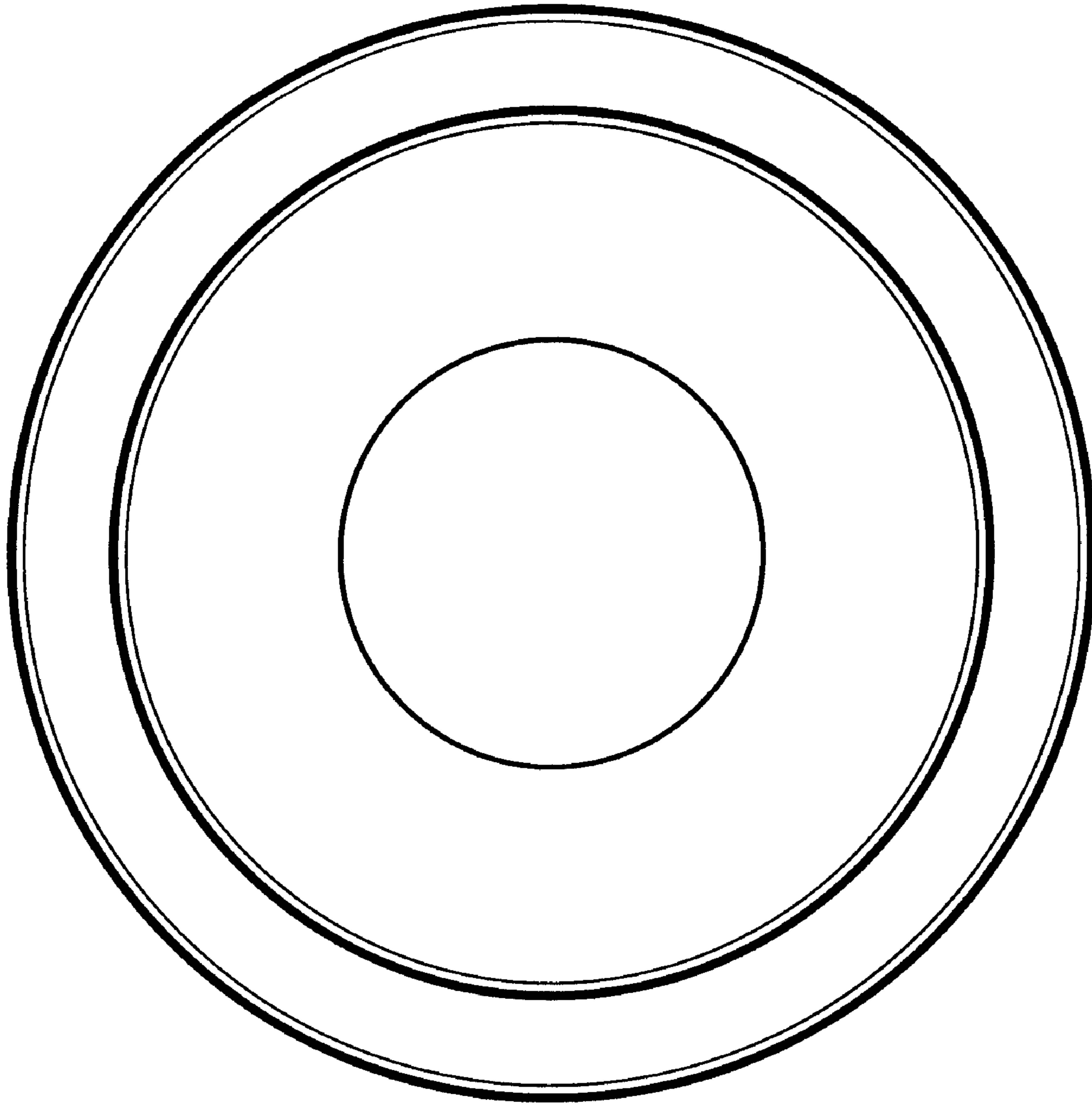


FIG. 5