



US00D581511S

(12) **United States Design Patent**
Rosten et al.

(10) **Patent No.:** **US D581,511 S**
(45) **Date of Patent:** **** Nov. 25, 2008**

(54) **BAFFLE VENT WITH TRANSVERSE RIBS FOR USE IN ROOF VENTILATION**

DESCRIPTION

(75) Inventors: **David B. Rosten**, Isanti, MN (US);
David J. Bonanni, Leesport, PA (US);
Richard Pirino, Wyomissing, PA (US)

FIG. 1 is a top plan view of a first embodiment of a baffle vent with transverse ribs for use in roof ventilation showing my new design, this first embodiment being constructed for deployment between two adjacent roof rafters in a building structure;

(73) Assignee: **Brentwood Industries, Inc.**, Reading, PA (US)

FIG. 2 is an end elevational view thereof;

(**) Term: **14 Years**

FIG. 3 is a side elevational view thereof;

(21) Appl. No.: **29/297,216**

FIG. 4 is a perspective view thereof;

(22) Filed: **Nov. 7, 2007**

FIG. 5 is an enlarged partial side elevational view of my new design to show the transversely extending ribs;

(51) **LOC (8) Cl.** **23-04**

FIG. 6 is a top plan view of a baffle vent with transverse ribs for use in roof ventilation showing my new design in an embodiment that is constructed for deployment to span several roof rafters;

(52) **U.S. Cl.** **D23/393**

FIG. 7 is an end elevational plan view of the embodiment of the baffle vent with transverse ribs for use in roof ventilation depicted in FIG. 6;

(58) **Field of Classification Search** D23/393,
D23/373, 370, 371, 387, 391, 324, 385, 386,
D23/388, 392, 390; 454/364-368, 250, 78;
52/198, 199, 302.1, 57, 750, 177; D25/123,
D25/125, 119, 139, 141, 50, 144, 160; 428/182,
428/183, 119; 261/112.2; 165/46, 170; 126/666;
D9/456

FIG. 8 is a top plan view of my baffle vent with transverse ribs for use in roof ventilation design forming the body portion of a baffle vent with transverse ribs for use in roof ventilation incorporating an integral drift blocker which is shown in phantom and does not form a part of my baffle vent with transverse ribs for use in roof ventilation design;

See application file for complete search history.

FIG. 9 is an end elevational view of the baffle vent with transverse ribs for use in roof ventilation shown in FIG. 8;

(56) **References Cited**

U.S. PATENT DOCUMENTS

2,160,677 A * 5/1939 Romanoff 428/183
3,279,043 A * 10/1966 Wirt 428/119
3,760,549 A * 9/1973 Silberkuhl et al. D25/123

FIG. 10 is an alternative embodiment of my baffle vent with transverse ribs for use in roof ventilation design incorporating a return lip along the transverse edges thereof and forming the body portion of a baffle vent with transverse ribs for use in roof ventilation incorporating an integral drift blocker which is shown in phantom;

(Continued)

Primary Examiner—Louis S Zarfaz

FIG. 11 is an end elevational view of the baffle vent with transverse ribs for use in roof ventilation shown in FIG. 10; and,

Assistant Examiner—David G Muller

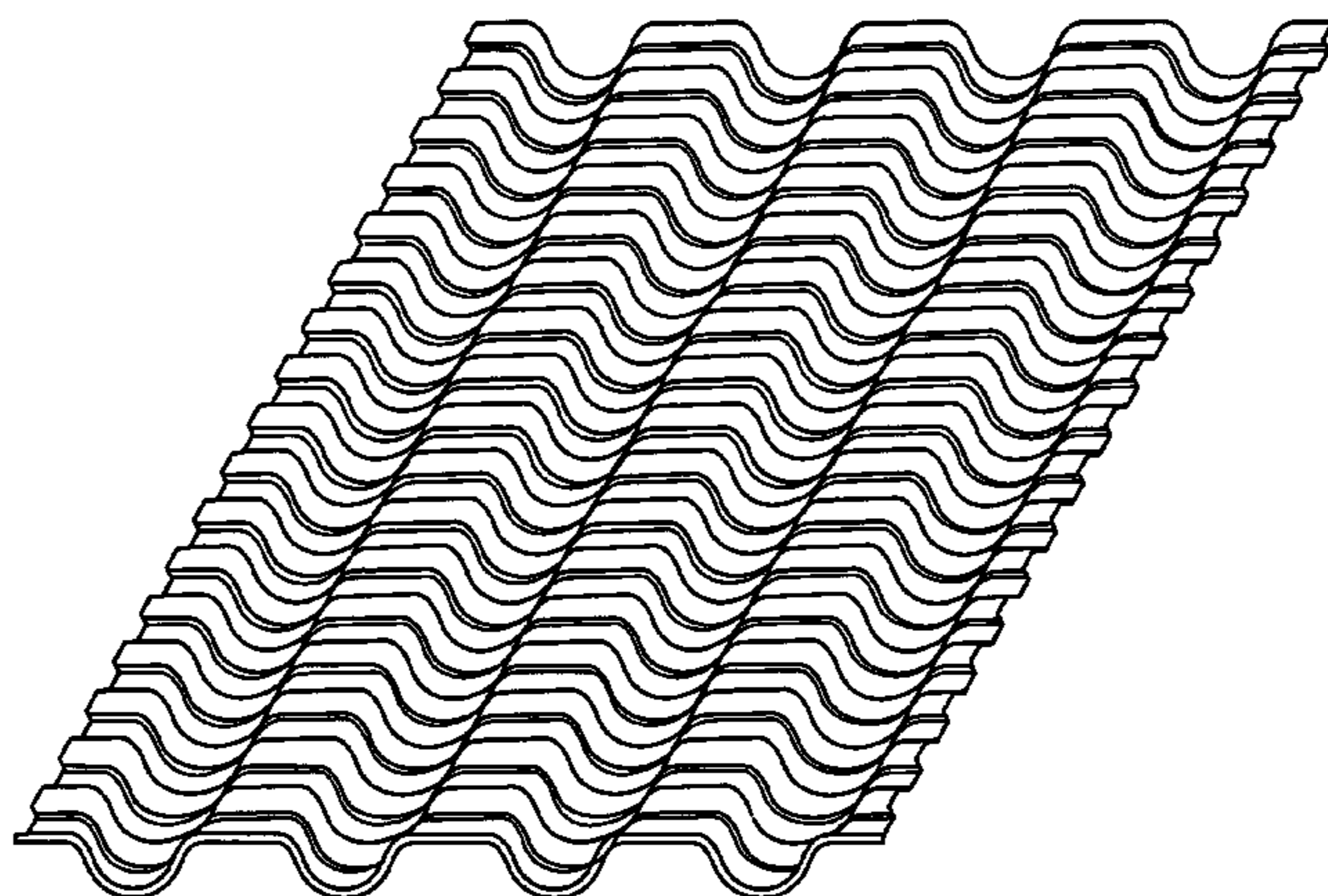
(74) *Attorney, Agent, or Firm*—Miller Law Group, PLLC

FIG. 12 is a perspective view of the baffle vent with transverse ribs for use in roof ventilation shown in FIG. 8 with the integral drift blocker being shown in phantom.

(57) **CLAIM**

The ornamental design for a baffle vent with transverse ribs for use in roof ventilation, as shown and described.

1 Claim, 7 Drawing Sheets



US D581,511 S

Page 2

U.S. PATENT DOCUMENTS

D238,898	S	*	2/1976	Landis et al.	D25/119	D302,859	S	*	8/1989	Kero	D25/141
3,952,077	A	*	4/1976	Wigley	261/112.2	5,600,928	A	*	2/1997	Hess et al.	428/183
D250,848	S	*	1/1979	Naslund	D25/139	5,750,235	A	*	5/1998	Yoshimasa	428/182
D254,207	S	*	2/1980	Holmberg	D25/144	D526,724	S	*	8/2006	Chuang	D25/125
D254,506	S	*	3/1980	Holmberg	D25/144	D526,727	S	*	8/2006	Ross	D25/141
D270,092	S	*	8/1983	Lacasse	D25/123	D532,955	S	*	11/2006	McDowell et al.	D34/38
D286,433	S	*	10/1986	Greco	D25/50	2006/0243431	A1	*	11/2006	Martin et al.	165/170

* cited by examiner

Fig. 1

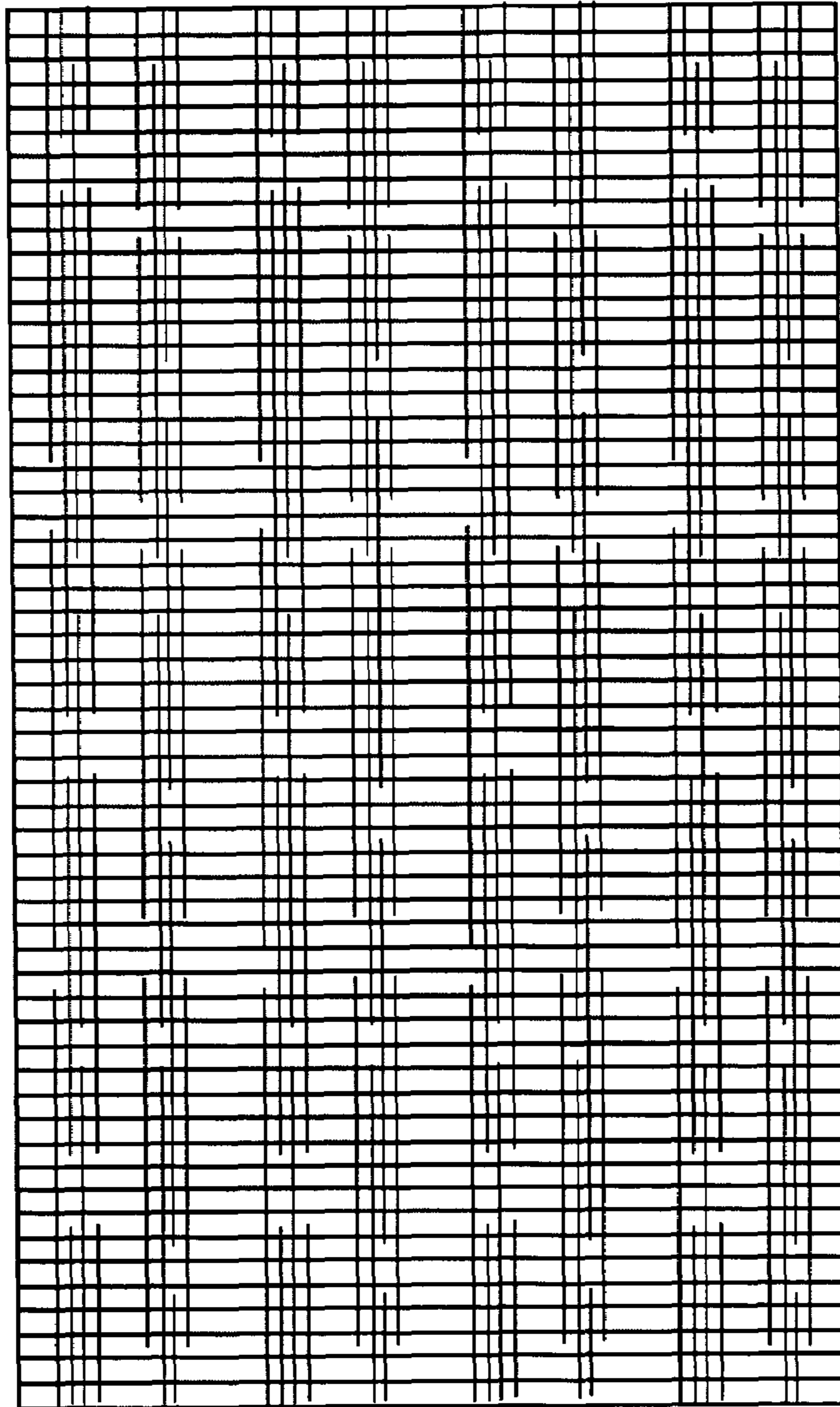


Fig. 3

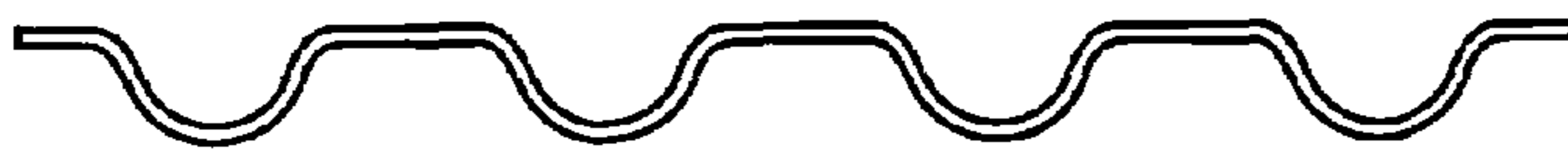


Fig. 2

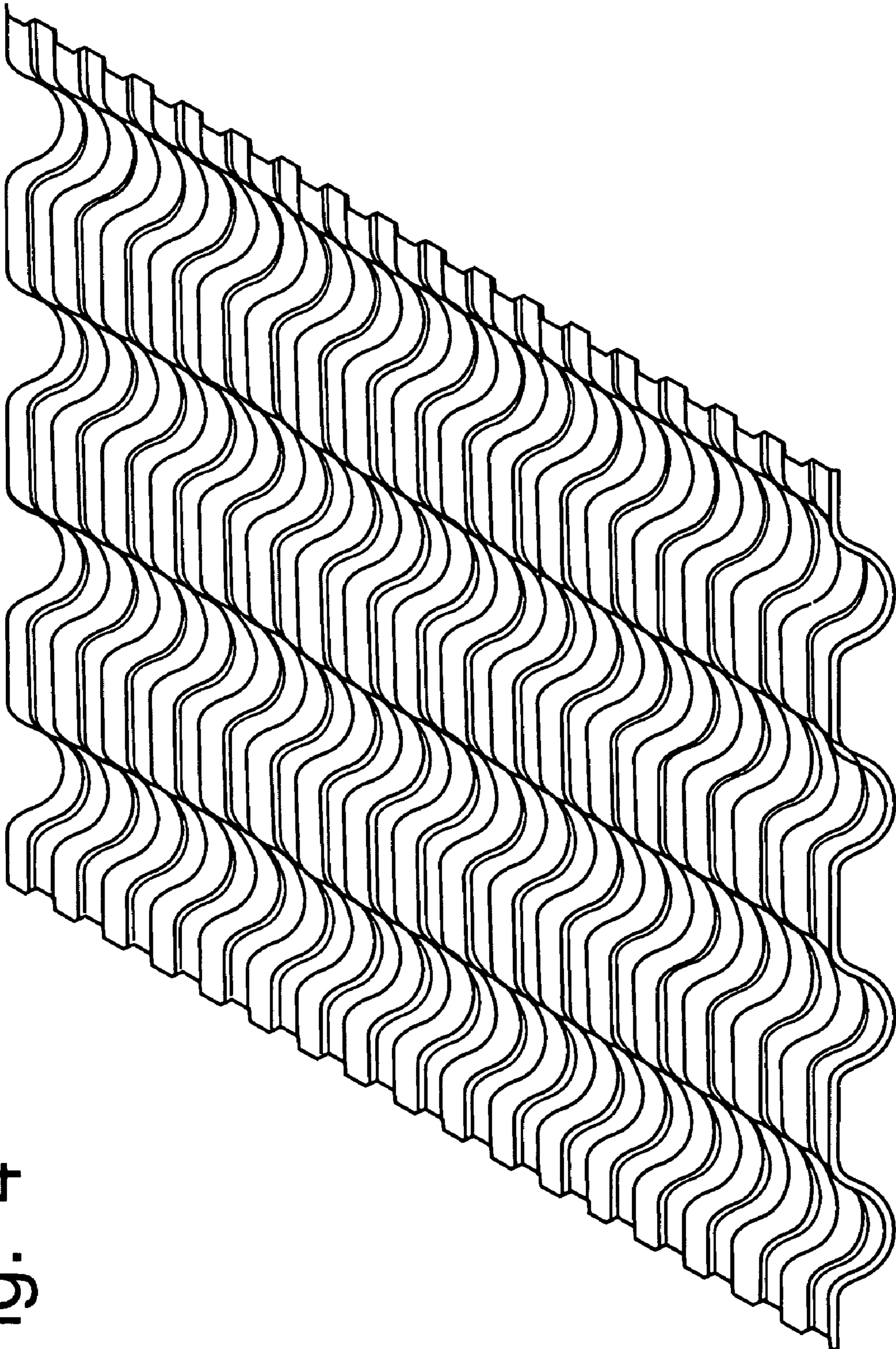


Fig. 4

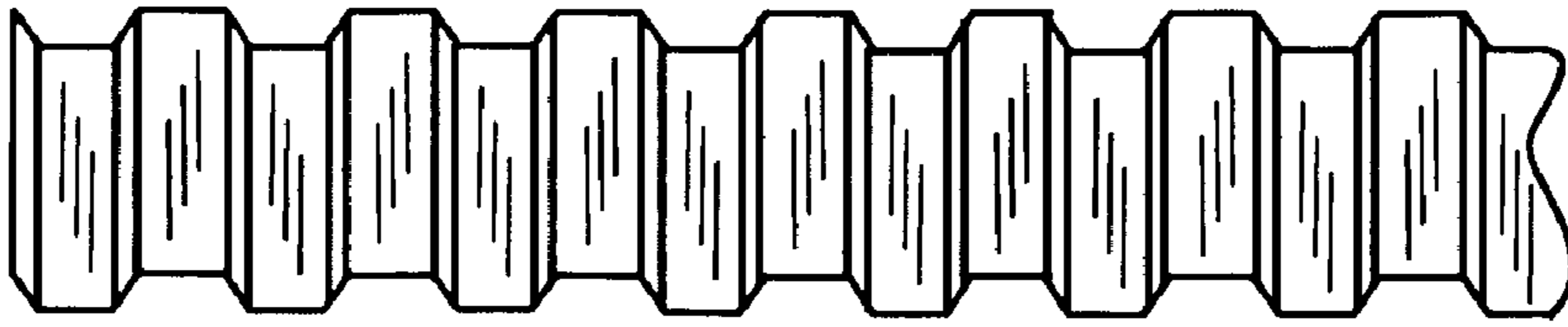


Fig. 5

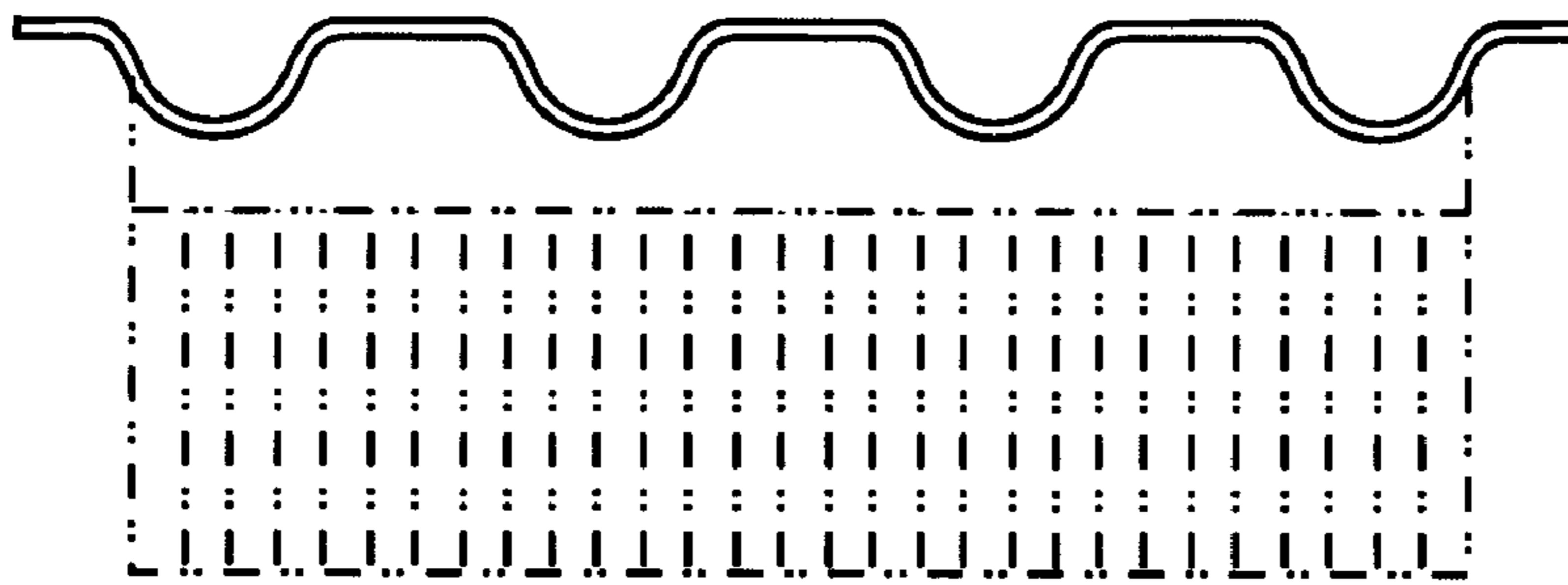


Fig. 9

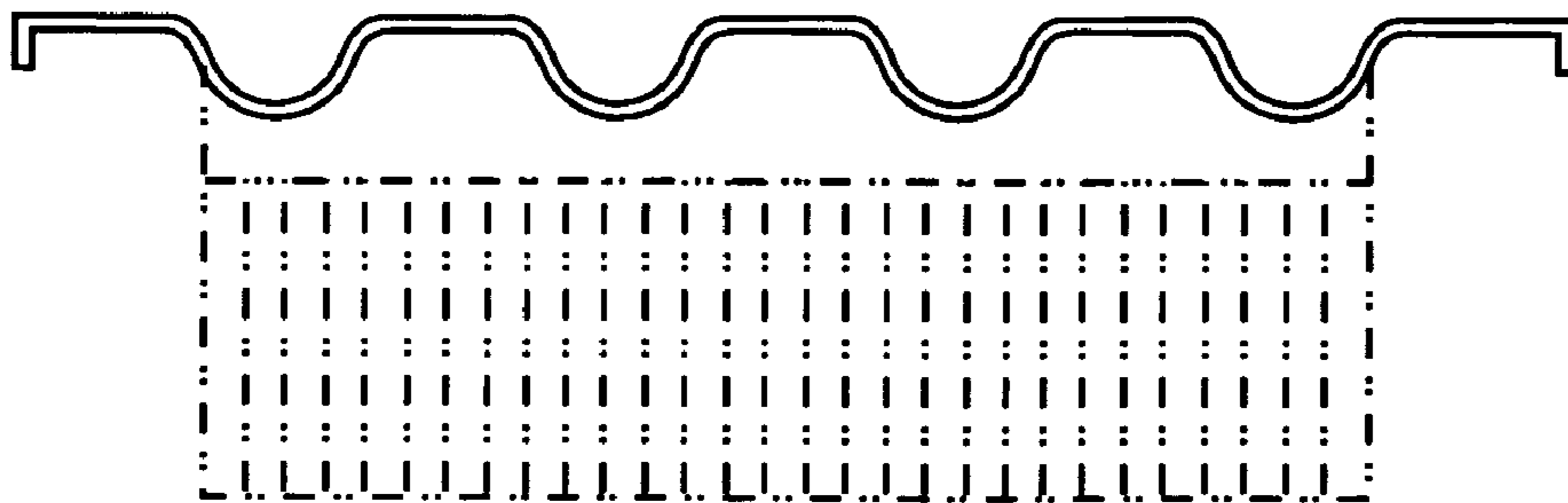


Fig. 11

Fig. 6

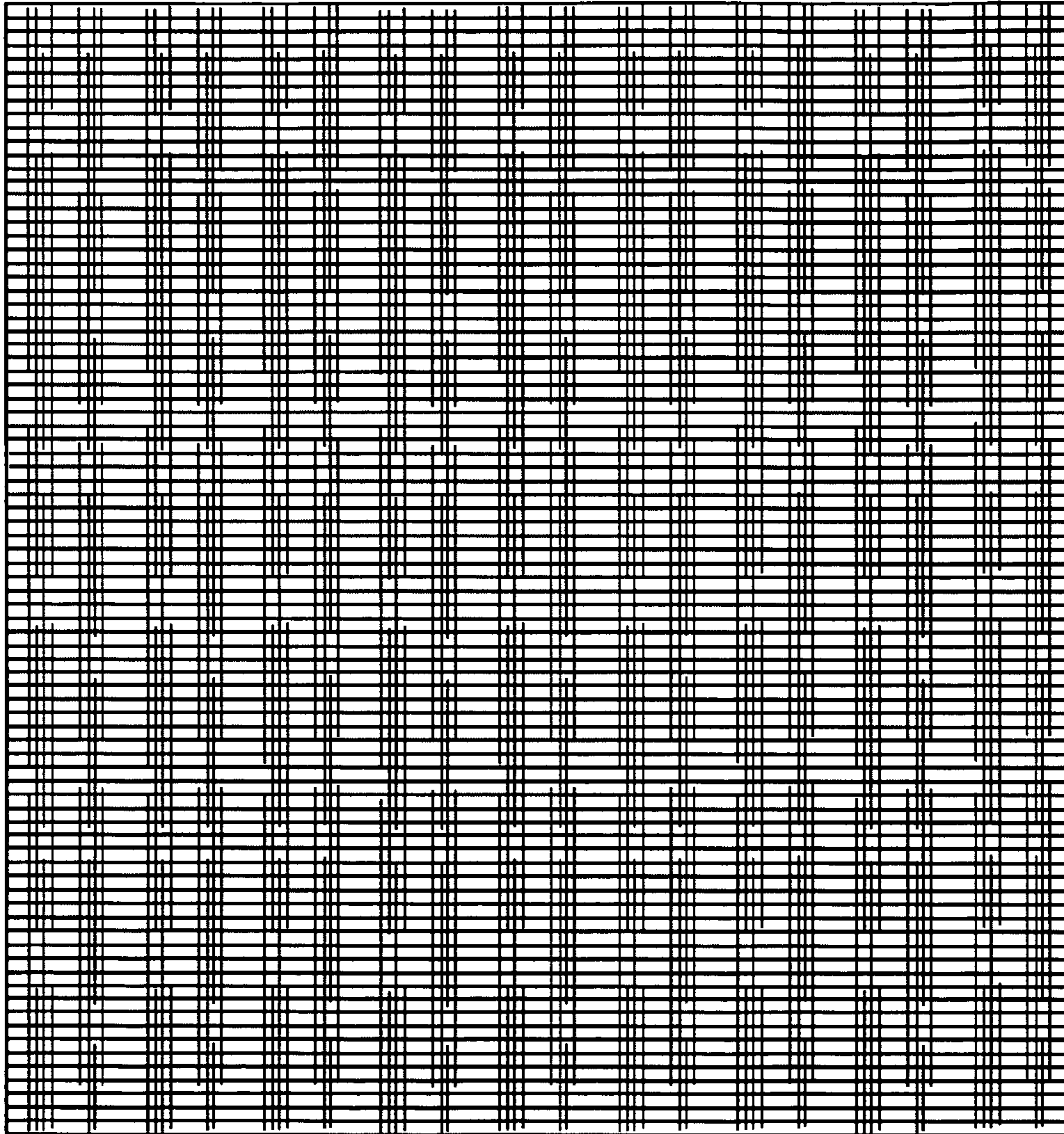


Fig. 7

Fig. 8

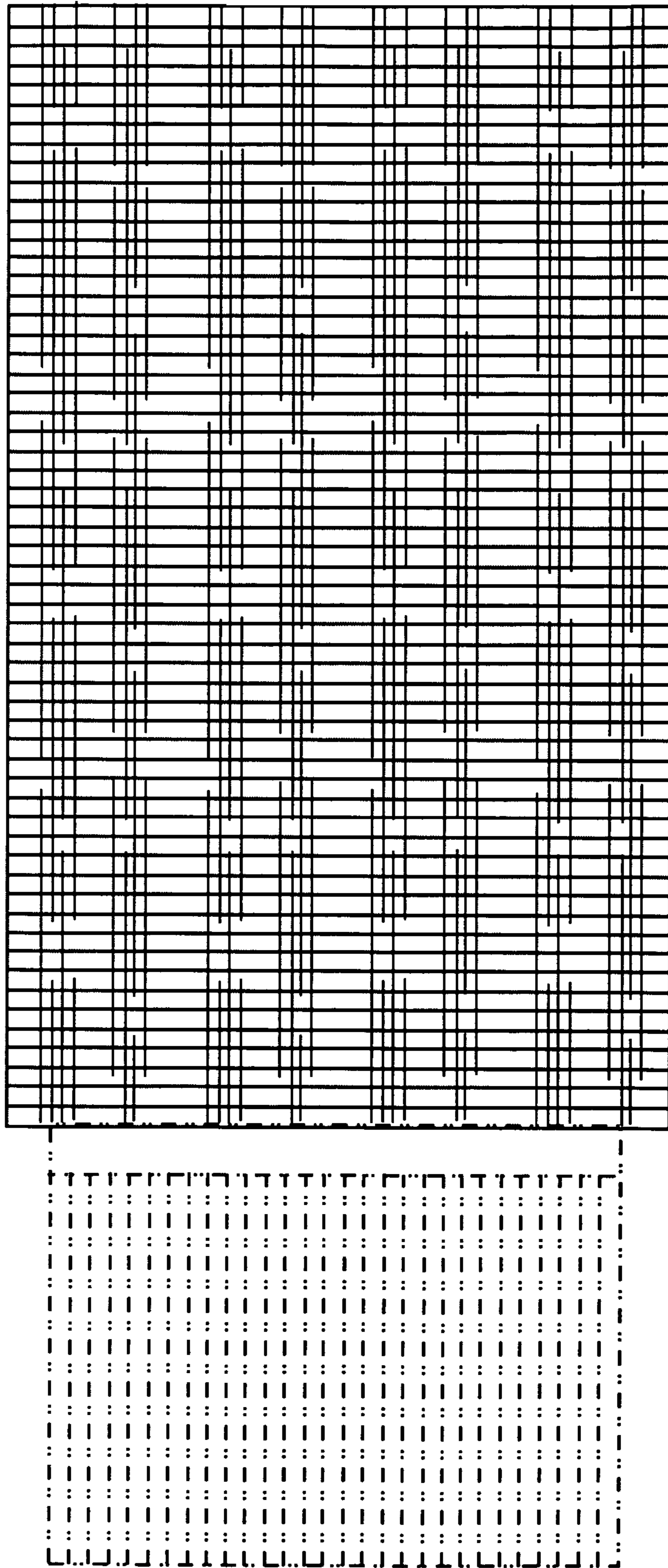
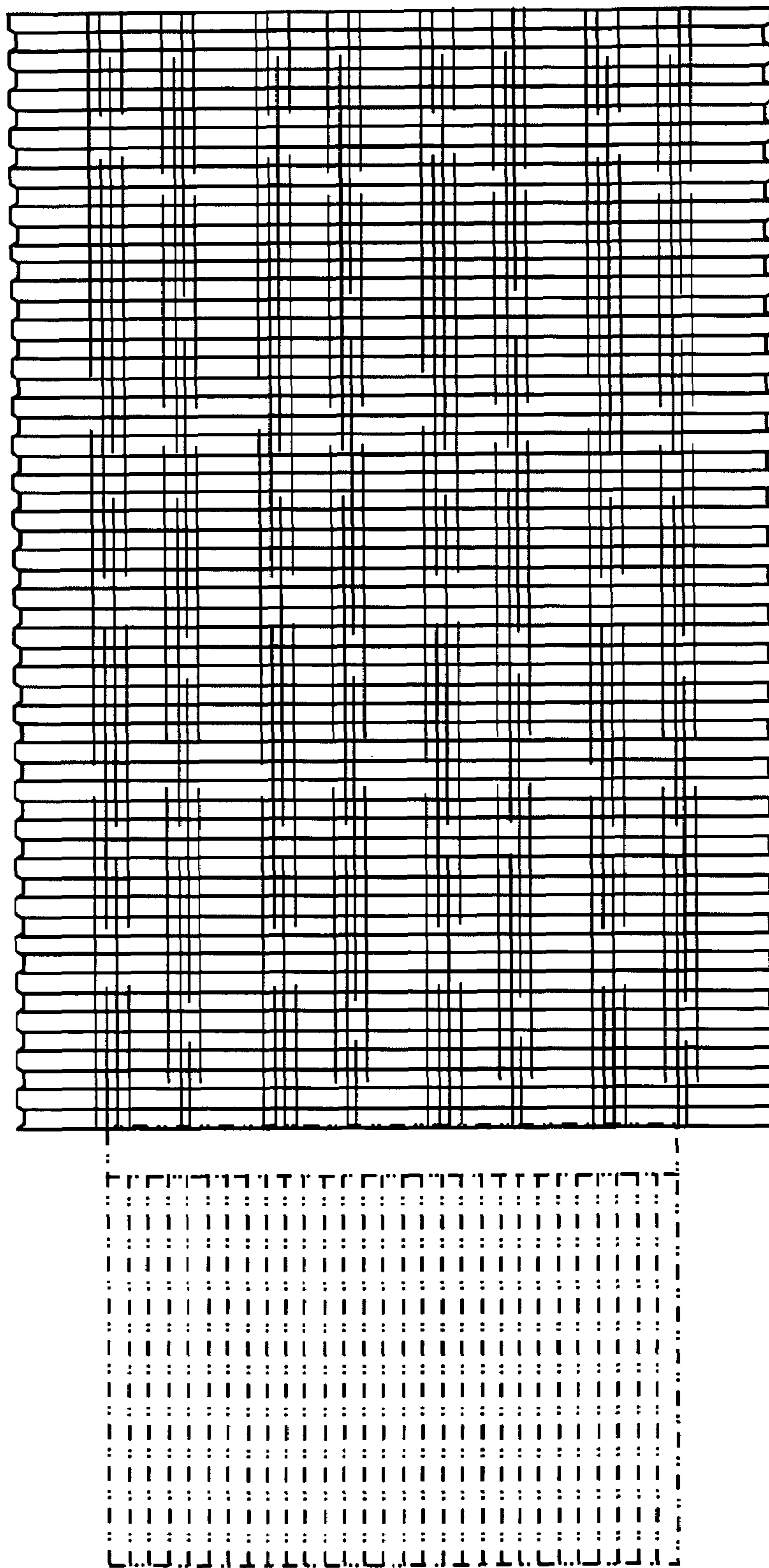


Fig. 10



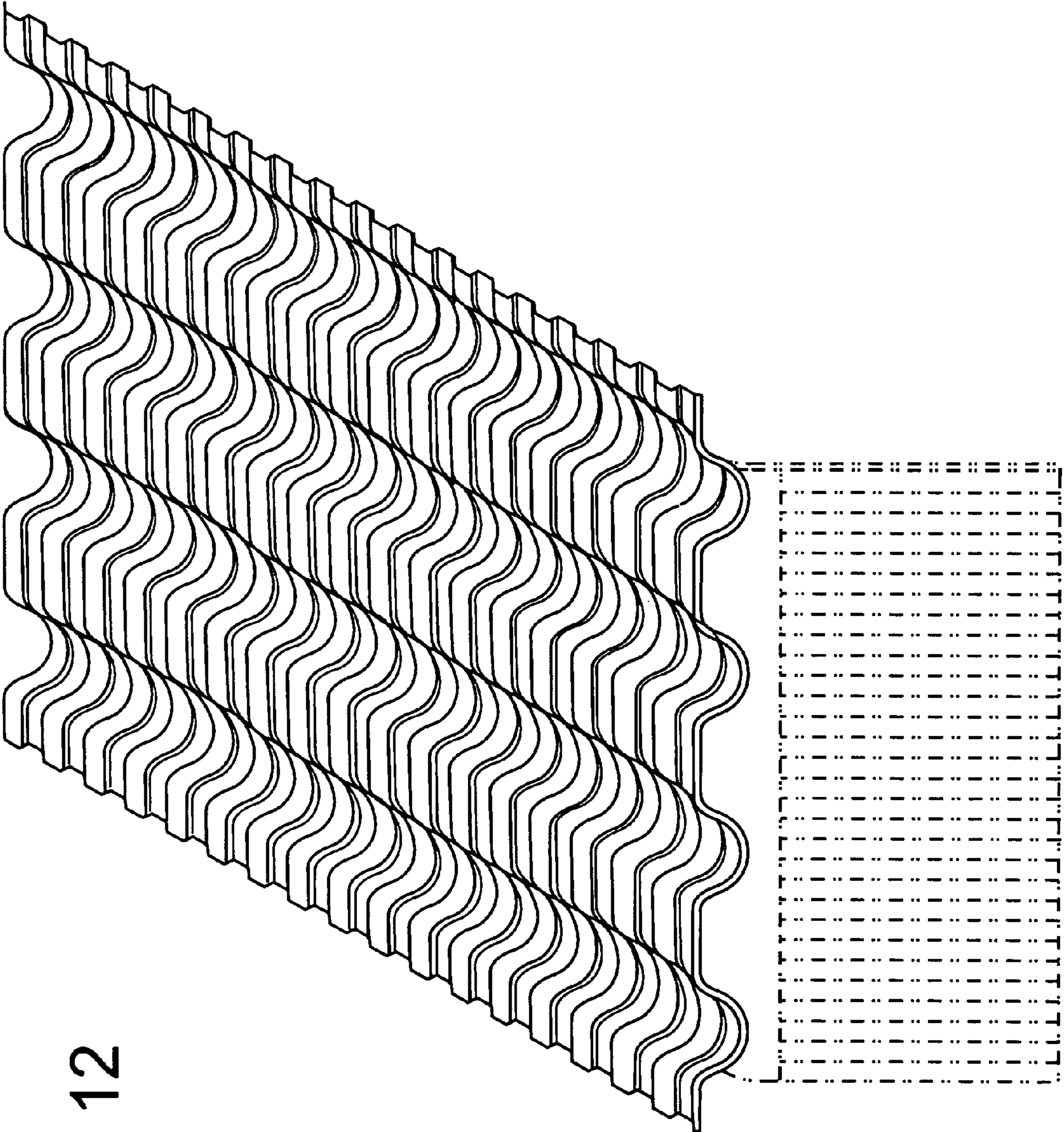


Fig. 12