



US00D581509S

(12) **United States Design Patent**
Marshall

(10) **Patent No.:** **US D581,509 S**

(45) **Date of Patent:** **** Nov. 25, 2008**

(54) **COMBINED CEILING FAN AND LIGHT**

D562,974 S * 2/2008 Pickett D23/413
D566,258 S * 4/2008 Bucher et al. D23/377

(76) Inventor: **John Marshall**, 2773 N. Flannery Rd.,
Baton Rouge, LA (US) 70814

* cited by examiner

(**) Term: **14 Years**

Primary Examiner—Lisa P Lichtenstein

(21) Appl. No.: **29/251,059**

(74) *Attorney, Agent, or Firm*—Berenato, White & Stavish

(22) Filed: **Jan. 4, 2006**

(57) **CLAIM**

(51) **LOC (8) Cl.** **23-04**

I claim, the ornamental design for a combined ceiling fan and light, as shown and described.

(52) **U.S. Cl.** **D23/377; D26/59**

(58) **Field of Classification Search** D23/377,
D23/379, 385, 411, 413; 416/5; D26/59,
D26/71, 81-86, 88, 51; 362/96

DESCRIPTION

See application file for complete search history.

FIG. 1 is a side elevational view of a combined ceiling fan and light;

(56) **References Cited**

FIG. 2 is a bottom perspective view; and,

U.S. PATENT DOCUMENTS

FIG. 3 is a bottom plan view.

D482,436 S * 11/2003 Young D23/377

1 Claim, 3 Drawing Sheets

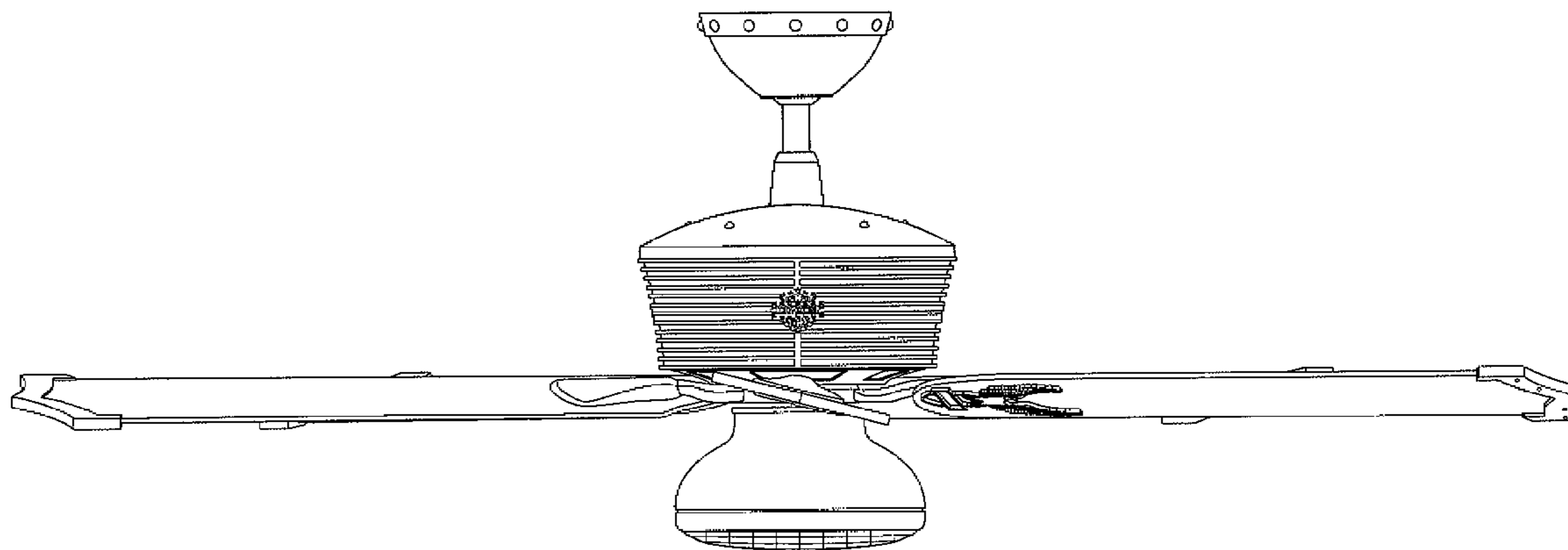


Fig. 1

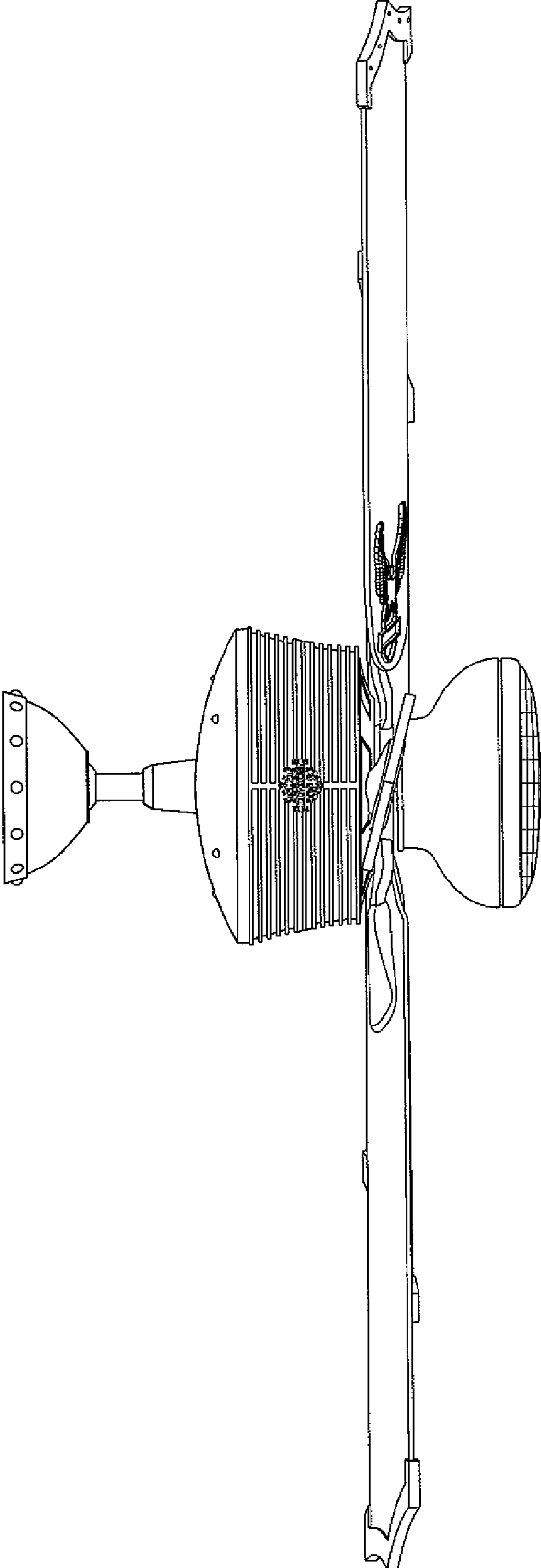


Fig. 2

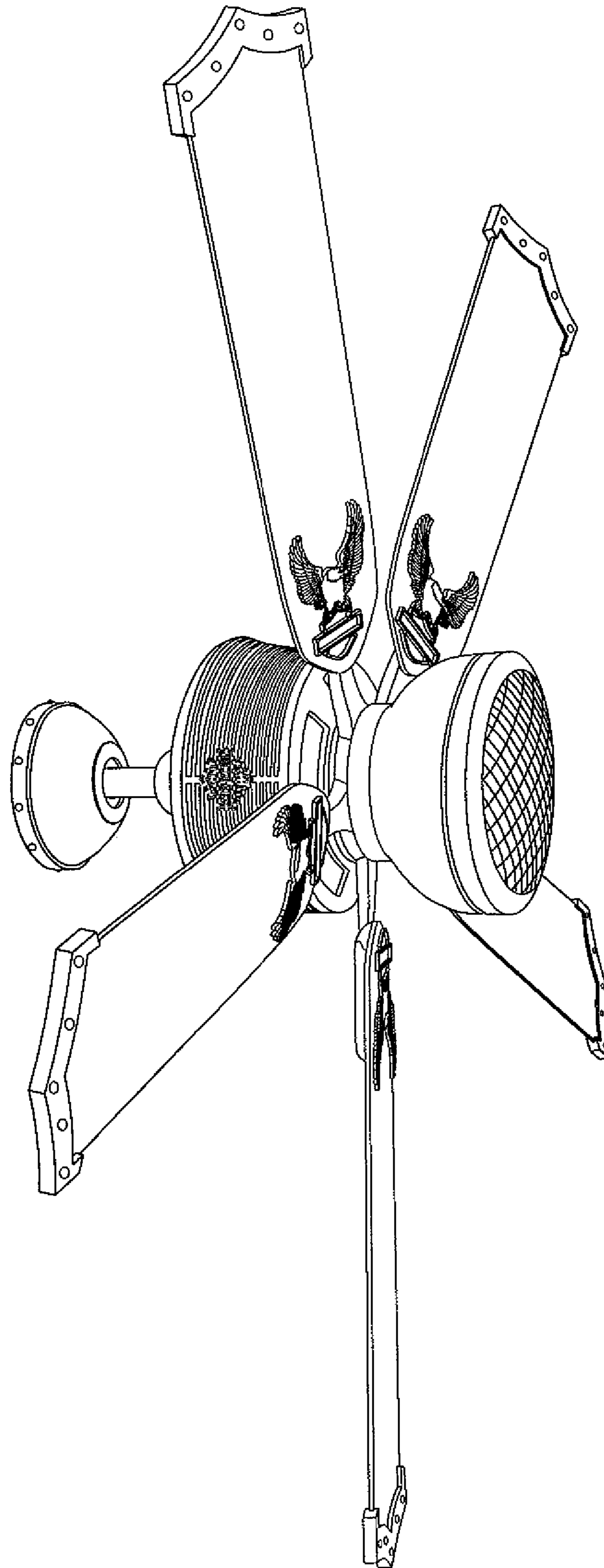


Fig. 3

