



US00D581506S

(12) **United States Design Patent**
Kelnhofer

(10) **Patent No.:** **US D581,506 S**

(45) **Date of Patent:** **** Nov. 25, 2008**

(54) **HERBAL VAPORIZER**

(76) **Inventor:** **Steve Kelnhofer**, 3615 Fairmont Pl.,
Colorado Springs, CO (US) 80910

(**) **Term:** **14 Years**

(21) **Appl. No.:** **29/303,019**

(22) **Filed:** **Jan. 30, 2008**

(51) **LOC (8) Cl.** **23-04**

(52) **U.S. Cl.** **D23/360**

(58) **Field of Classification Search** D23/364,
D23/355, 356, 359, 360, 362, 352, 366, 369,
D23/332, 333, 335, 336, 342, 351; 422/120,
422/122; 55/356, 473, 504; 96/97; D14/188,
D14/170, 172; 261/DIG. 17, DIG. 65, DIG. 88,
261/DIG. 31; D28/99; D24/110, 203; 128/200.16,
128/200.24, 200.21, 200.18; 392/386, 391,
392/394, 395, 397, 398; 239/34, 53-55,
239/60; D27/162, 163

See application file for complete search history.

(56) **References Cited**

U.S. PATENT DOCUMENTS

3,152,240	A *	10/1964	Scott	D23/360
D200,467	S *	3/1965	Noel	D23/362
3,812,853	A *	5/1974	Crain	D24/110
4,116,387	A *	9/1978	Kremer et al.	128/200.18
4,671,270	A *	6/1987	Kato	422/120
D335,343	S *	5/1993	Jones et al.	D24/110
5,482,030	A *	1/1996	Klein	128/200.18

5,609,149	A *	3/1997	Takach	128/200.24
D387,476	S *	12/1997	Chambers	D27/162
6,101,317	A *	8/2000	Stern	392/394
D451,183	S *	11/2001	Hirano et al.	D23/366
D549,313	S *	8/2007	Kelnhofer	D23/360
2007/0044793	A1 *	3/2007	Kleinstreuer et al.	...	128/200.21

* cited by examiner

Primary Examiner—Caron Veynar

Assistant Examiner—David Muller

(74) *Attorney, Agent, or Firm*—Mark G. Pannell; Hanes & Schutz, LLC

(57) **CLAIM**

The ornamental design for an herbal vaporizer, as shown and described.

DESCRIPTION

FIG. 1 is a perspective view of the herbal vaporizer of the present invention.

FIG. 2 is a left side view of the herbal vaporizer. The right side is identical.

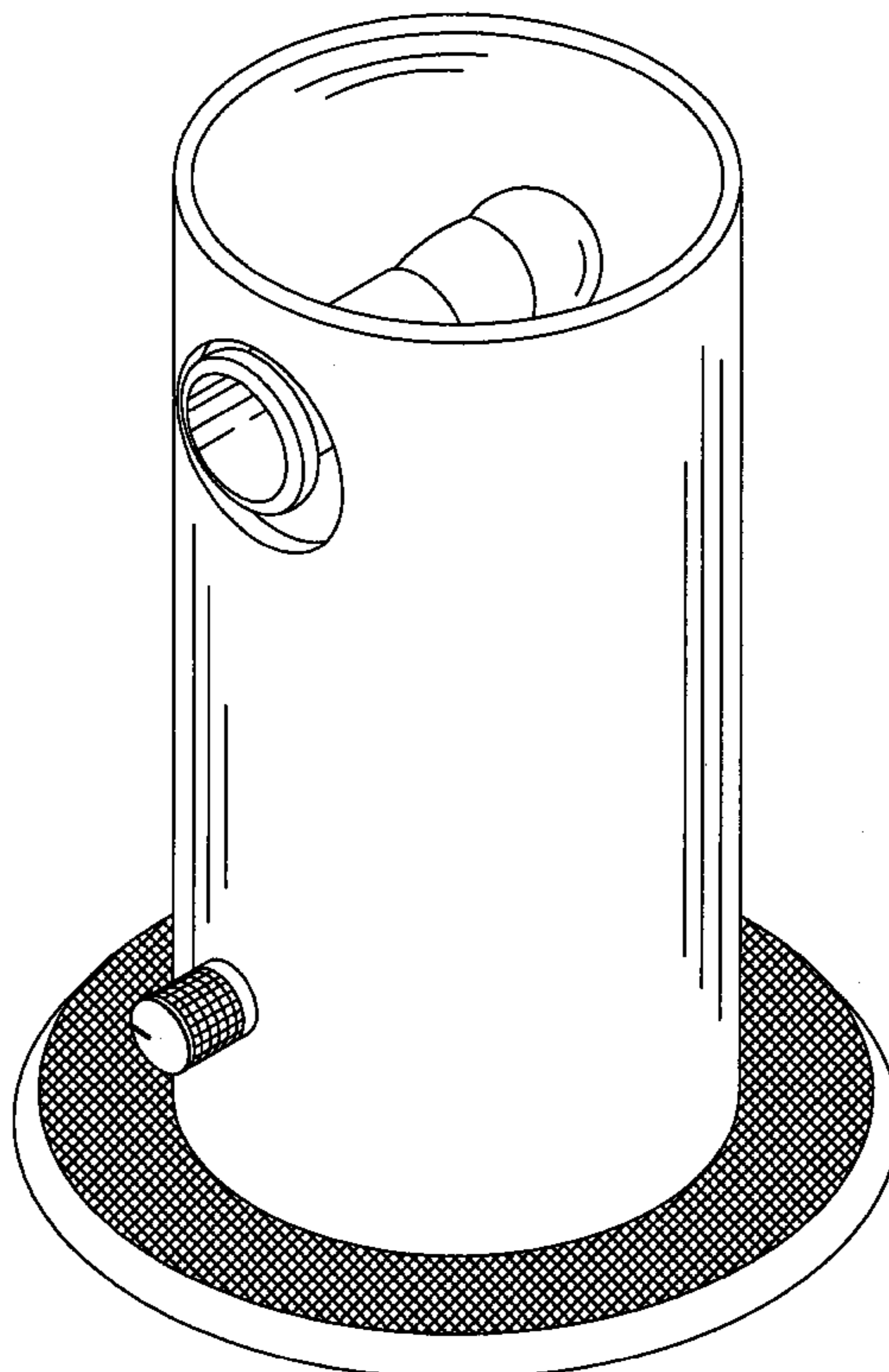
FIG. 3 is a front view of the herbal vaporizer.

FIG. 4 is a rear view of the herbal vaporizer; and,

FIG. 5 is a bottom view of the herbal vaporizer.

The broken line showing of parts of the drawings is included for the purpose of illustrating use and environment and forms no part of the claimed design.

1 Claim, 2 Drawing Sheets



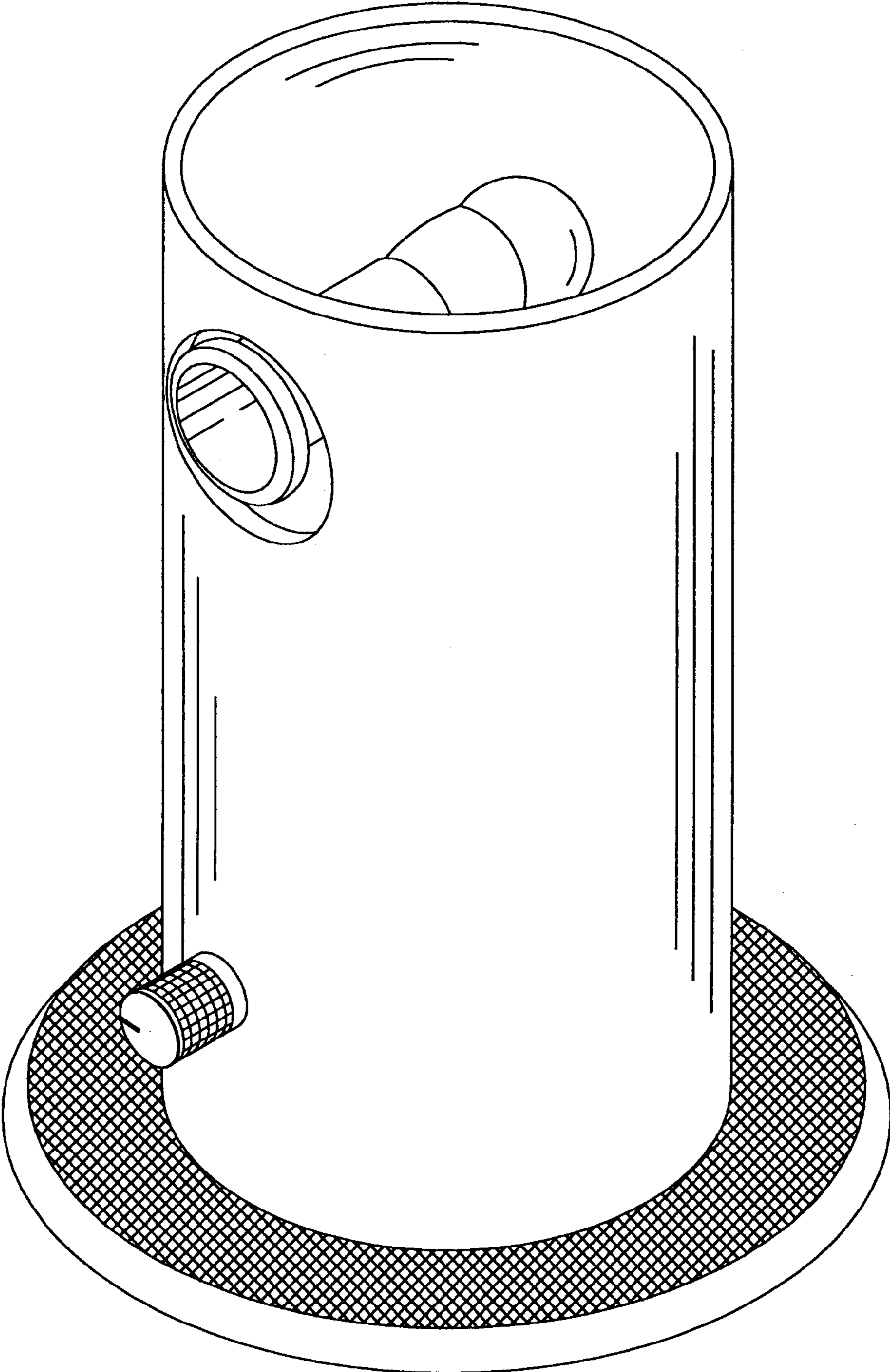


Fig. 1

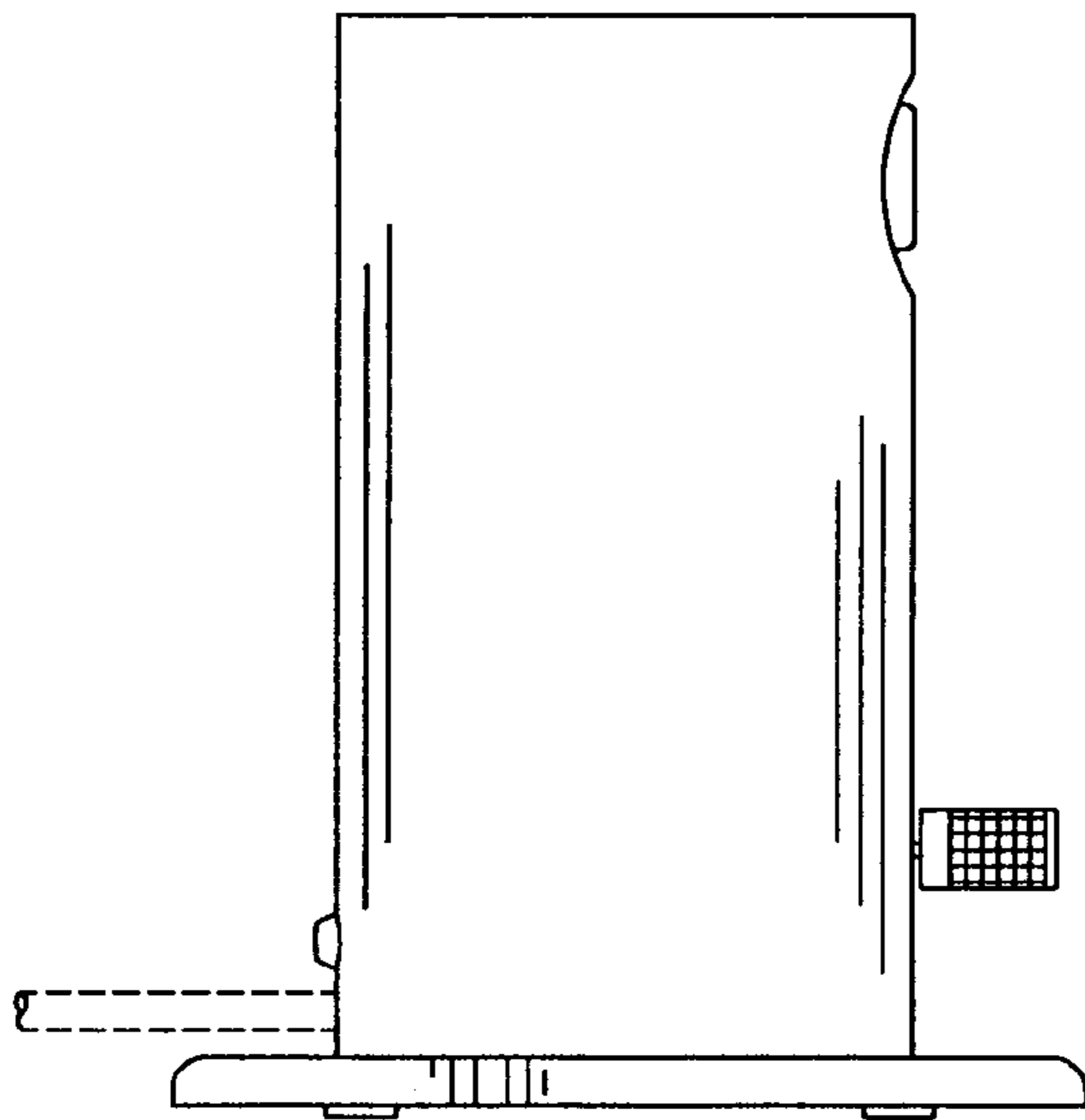


Fig. 2

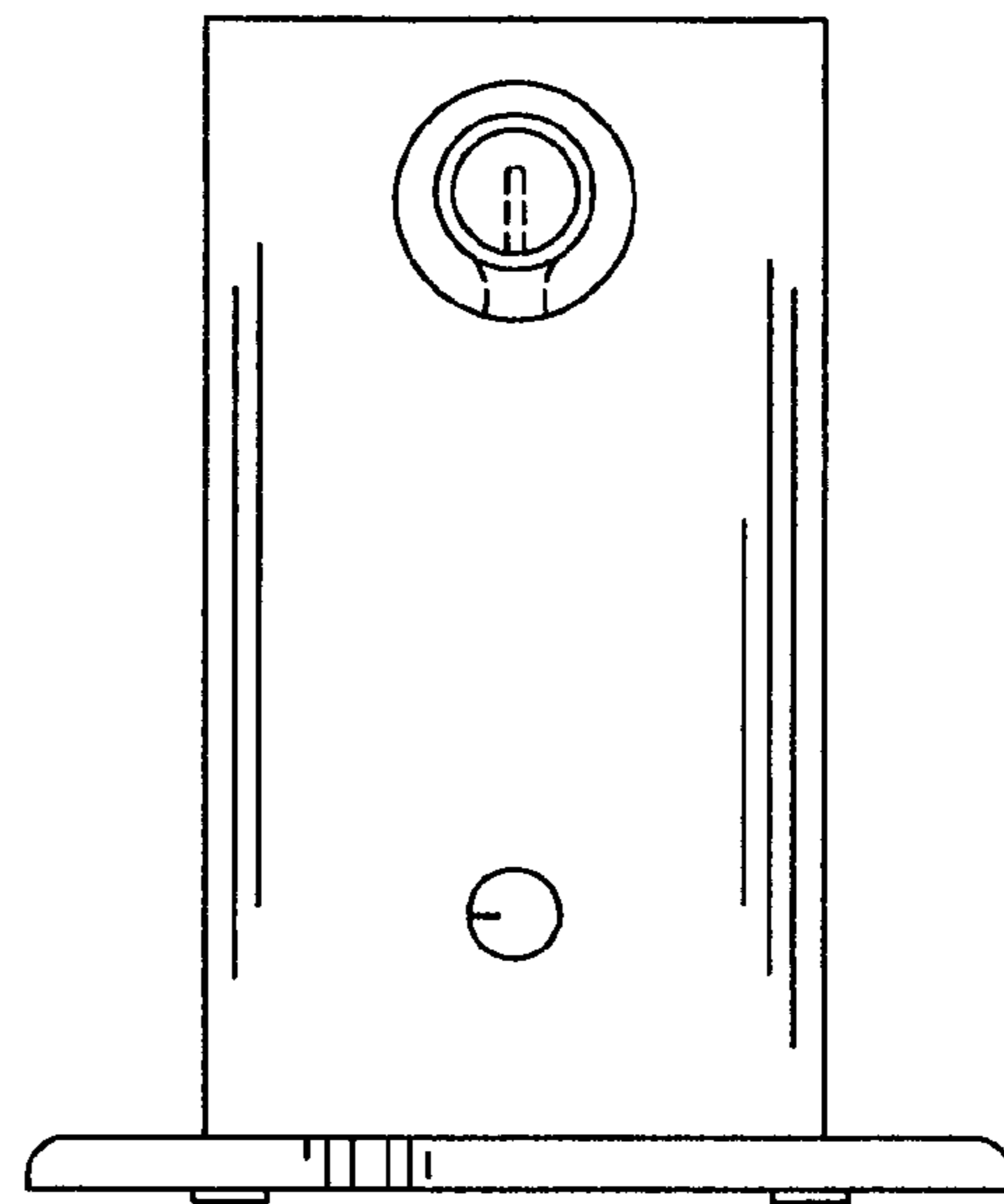


Fig. 3

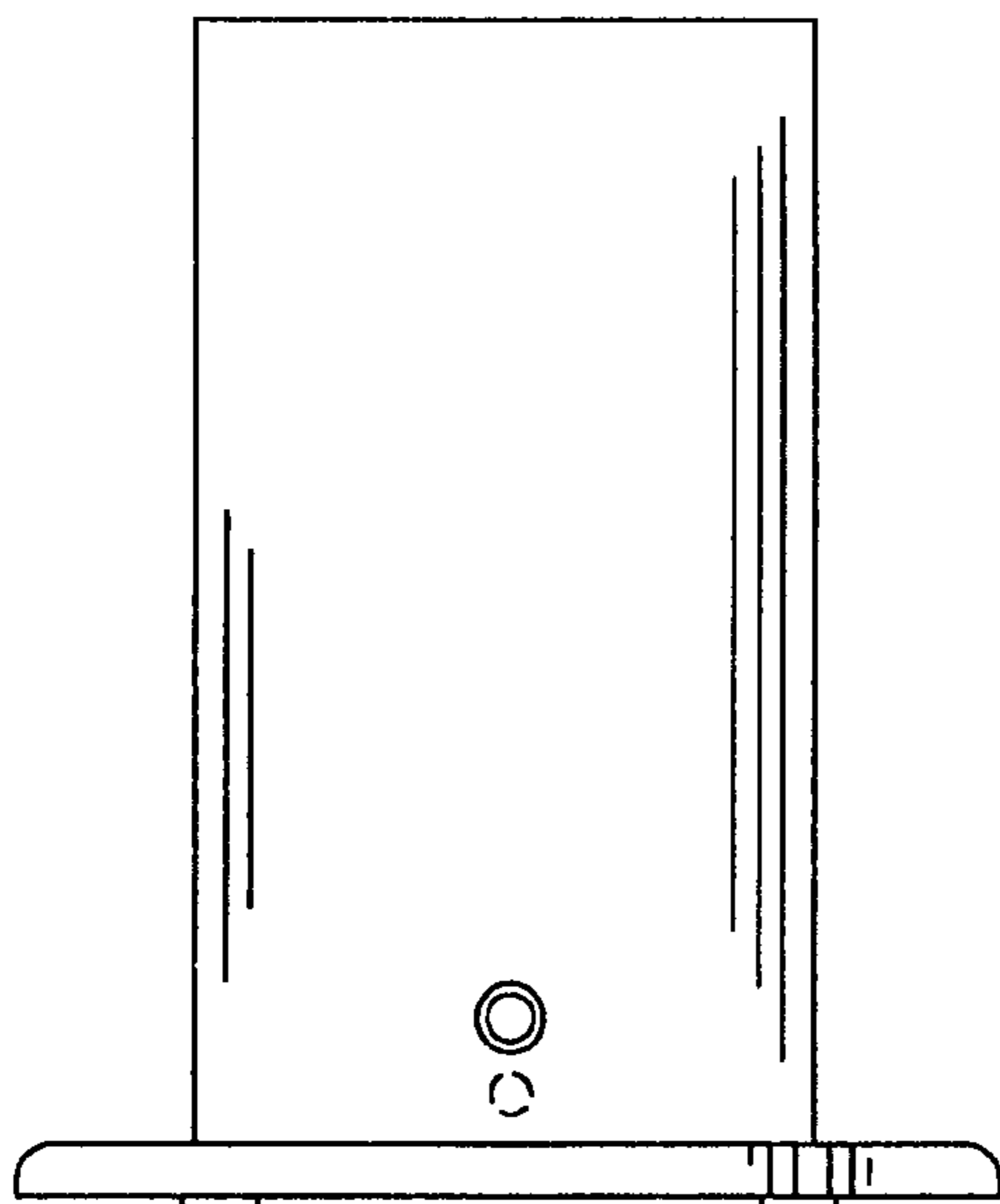


Fig. 4

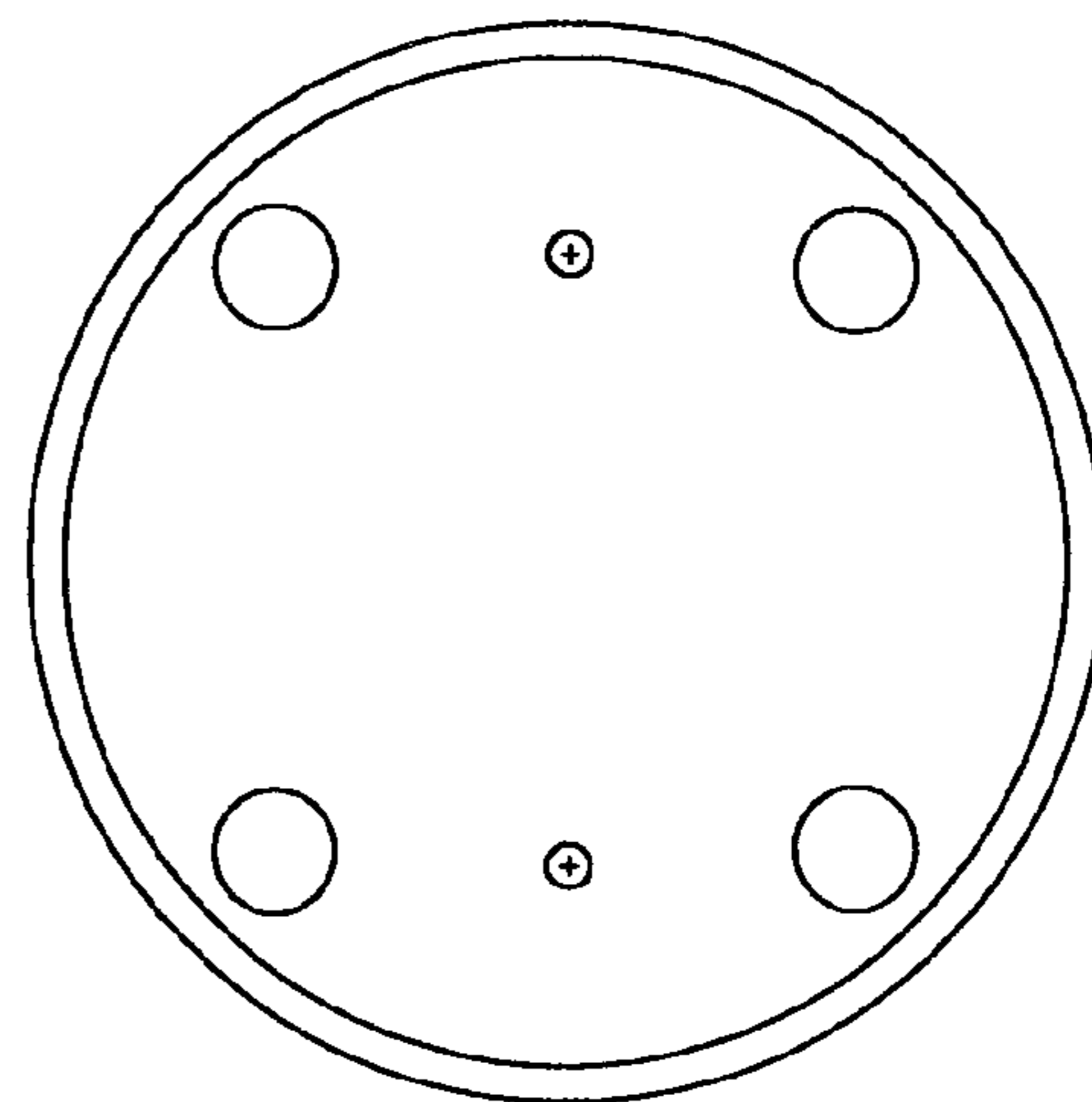


Fig. 5