



US00D581505S

(12) **United States Design Patent**
North

(10) **Patent No.:** **US D581,505 S**

(45) **Date of Patent:** **** Nov. 25, 2008**

(54) **HUMIDIFYING UNIT CASE**

(75) Inventor: **Gary North**, Mordialloc (AU)

(73) Assignee: **Co-Ordinated Thermal Systems Pty Ltd**, Queensland (AU)

(**) Term: **14 Years**

(21) Appl. No.: **29/290,282**

(22) Filed: **Nov. 14, 2007**

(30) **Foreign Application Priority Data**

May 14, 2007 (AU) 315315

(51) **LOC (8) Cl.** **23-04**

(52) **U.S. Cl.** **D23/358; D23/356**

(58) **Field of Classification Search** D23/358,
D23/356, 355, 364, 386, 393, 359, 360, 362,
D23/352, 366, 369, 332, 333, 335, 336, 342,
D23/351; 422/120, 122; 55/356, 473, 504;
96/63; 261/DIG. 17, DIG. 65, DIG. 88, DIG. 31;
D9/418, 425, 432, 431; 237/78 R; 119/165;
229/112; D30/161

See application file for complete search history.

(56) **References Cited**

U.S. PATENT DOCUMENTS

4,111,157 A * 9/1978 Haugen 119/165
4,779,566 A * 10/1988 Morris et al. 119/165
D305,410 S * 1/1990 Tyler D9/425
D330,674 S * 11/1992 Lyon D9/420
D356,253 S * 3/1995 Bacchetti et al. D9/418
D376,842 S * 12/1996 Franklin et al. D23/393

D386,336 S * 11/1997 Douglas D9/425
D387,981 S * 12/1997 Mosior et al. D9/418
D389,054 S * 1/1998 Teags D9/432
D389,307 S * 1/1998 Zimmerman D9/425
D400,099 S * 10/1998 Brauner et al. D9/431
D411,448 S * 6/1999 Baker D9/432
D439,839 S * 4/2001 Wolf et al. D9/431
D495,248 S * 8/2004 Krebs et al. D9/418
D551,070 S * 9/2007 Wallwork D9/418
2005/0115509 A1 * 6/2005 Rudolph 119/165

* cited by examiner

Primary Examiner—Louis S Zarfes

Assistant Examiner—David G Muller

(74) *Attorney, Agent, or Firm*—Birch, Stewart, Kolasch,
Birch, LLP

(57) **CLAIM**

The ornamental design for a humidifying unit case, as shown and described.

DESCRIPTION

FIG. 1 is a front view of the humidifying unit case showing our new design;

FIG. 2 is a rear view thereof;

FIG. 3 is a plan view thereof;

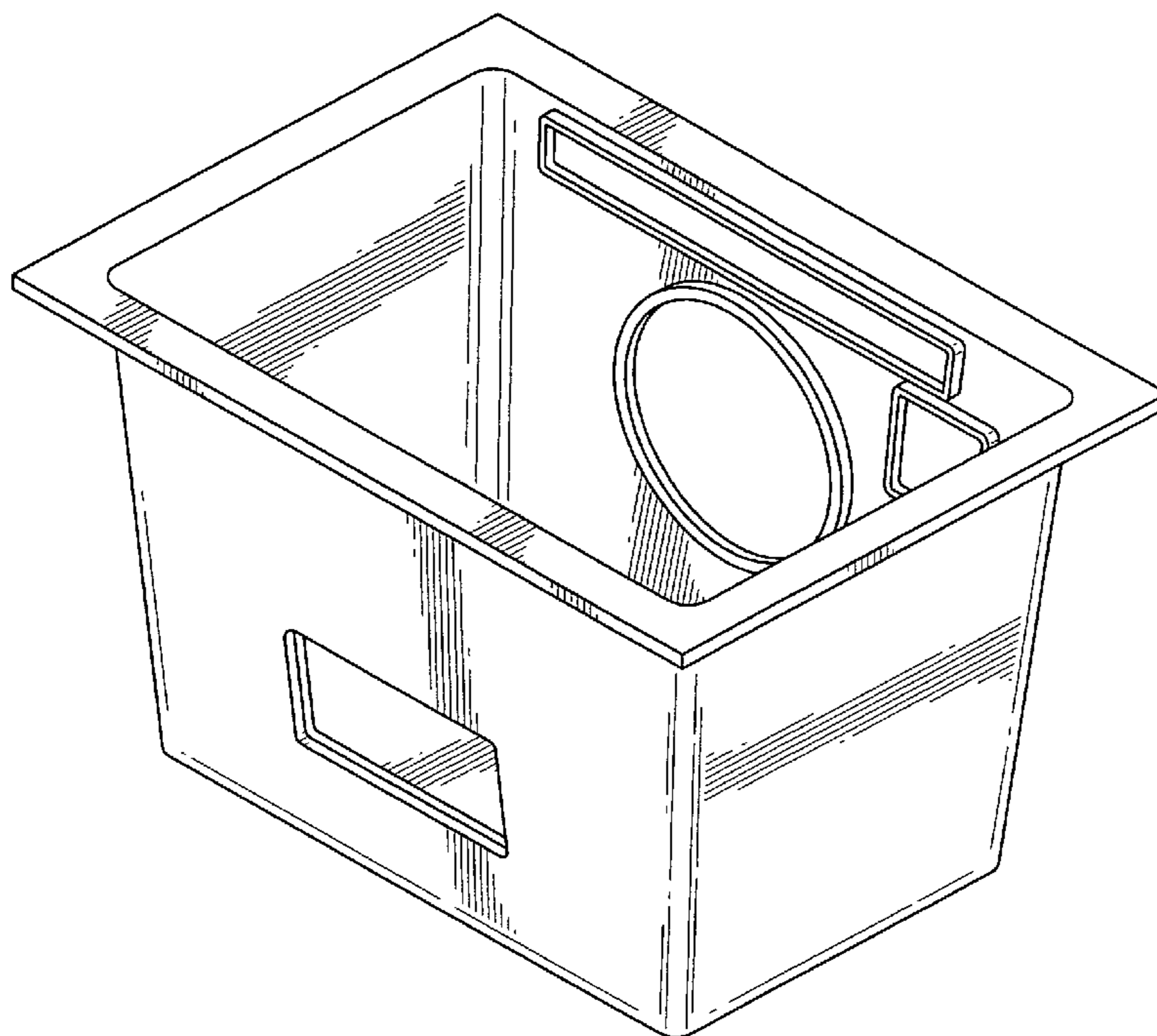
FIG. 4 is a bottom view thereof;

FIG. 5 is an end view thereof and illustrates both ends of the humidifying unit case of the present application;

FIG. 6 is a rear perspective view thereof; and,

FIG. 7 is a front perspective view thereof.

1 Claim, 7 Drawing Sheets



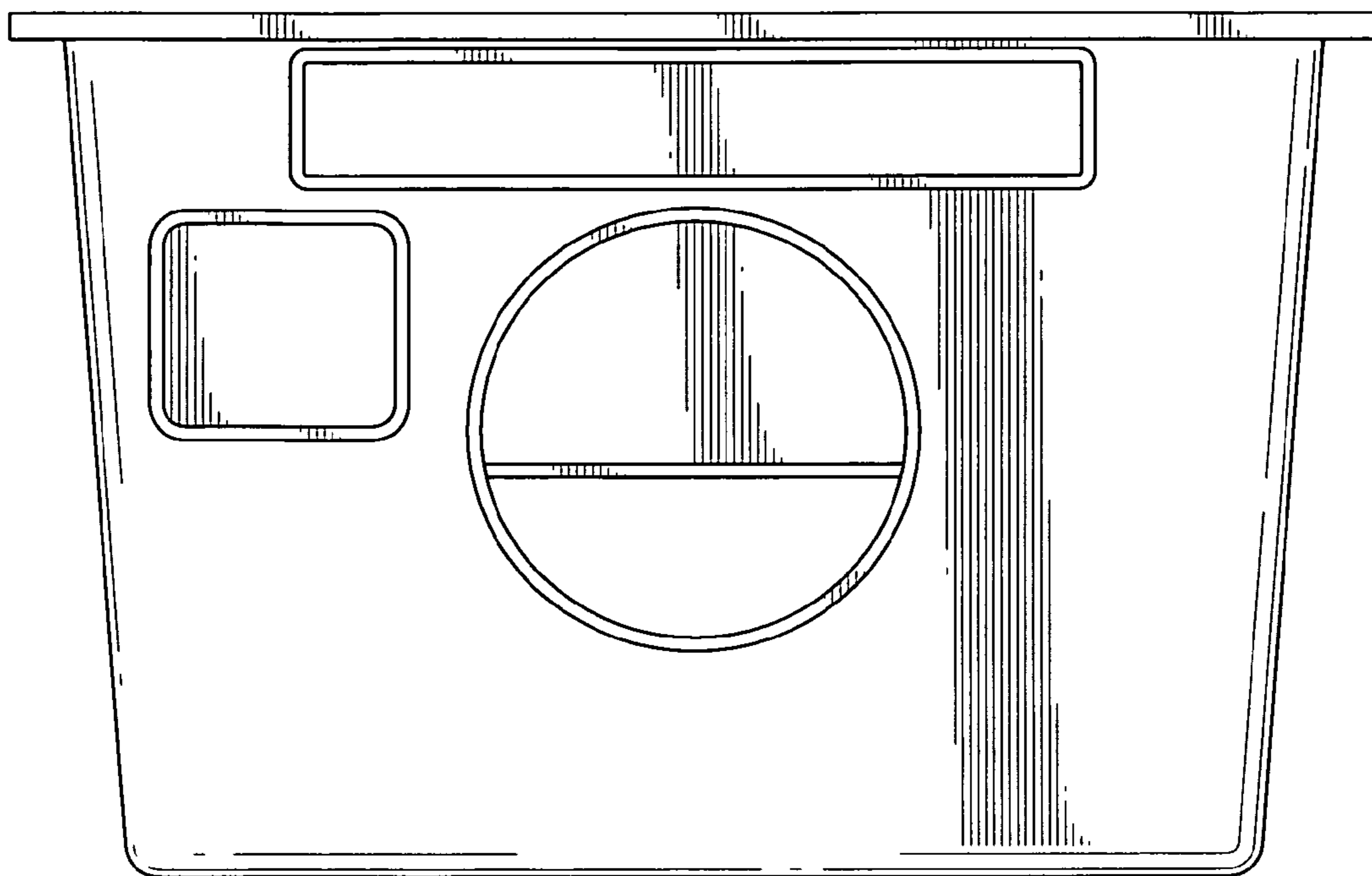


FIG. 1

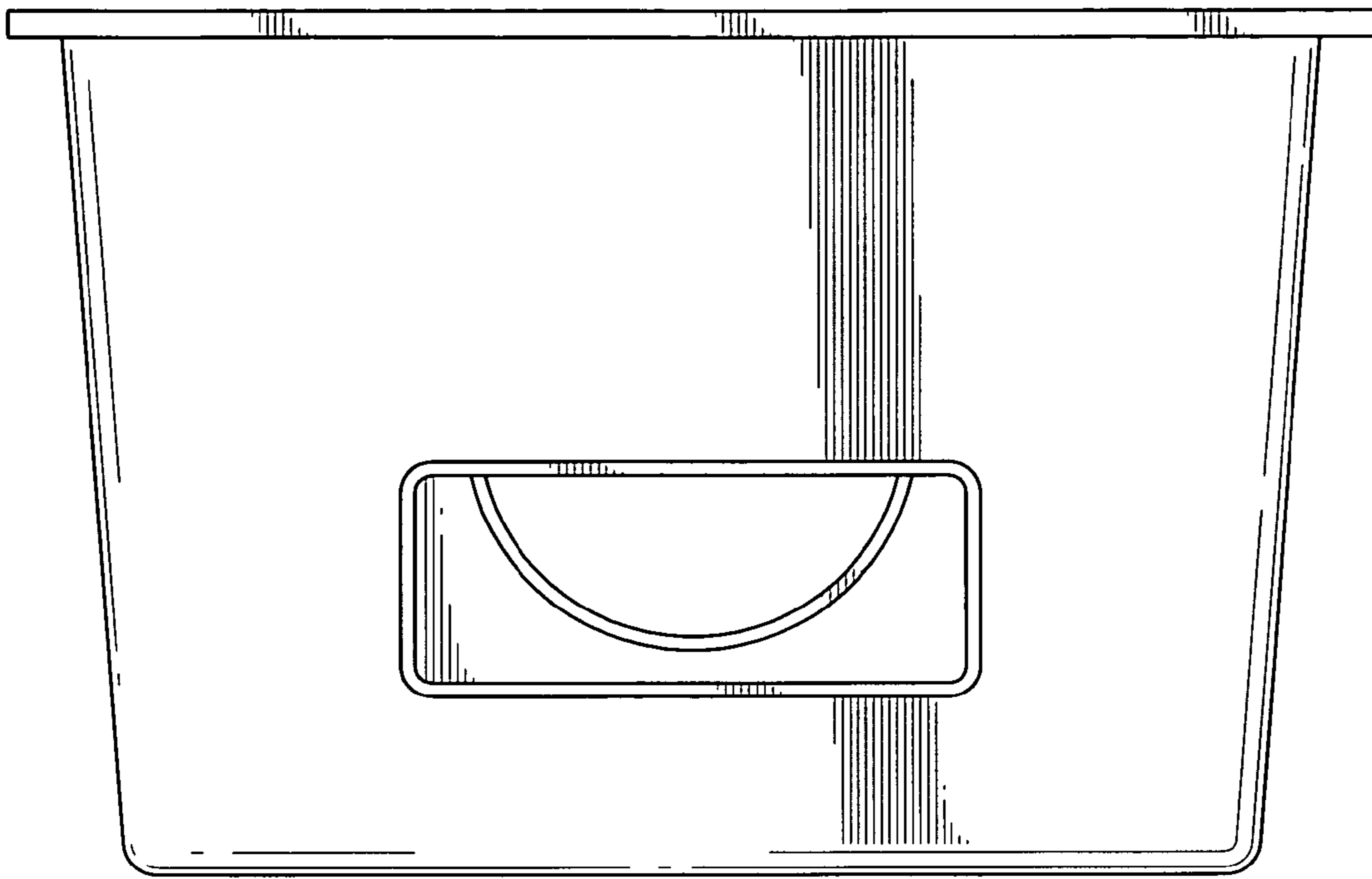


FIG.2

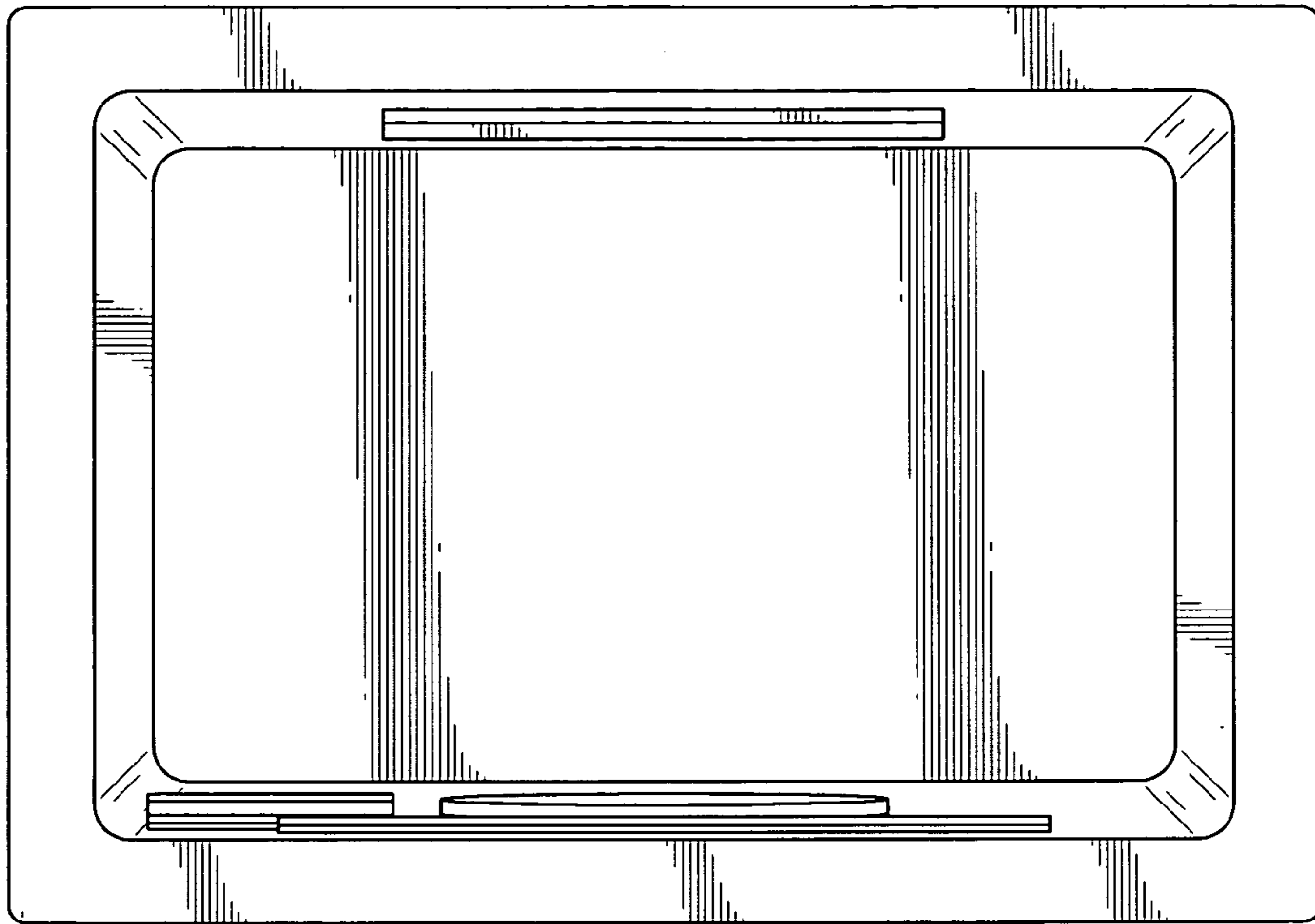


FIG.3

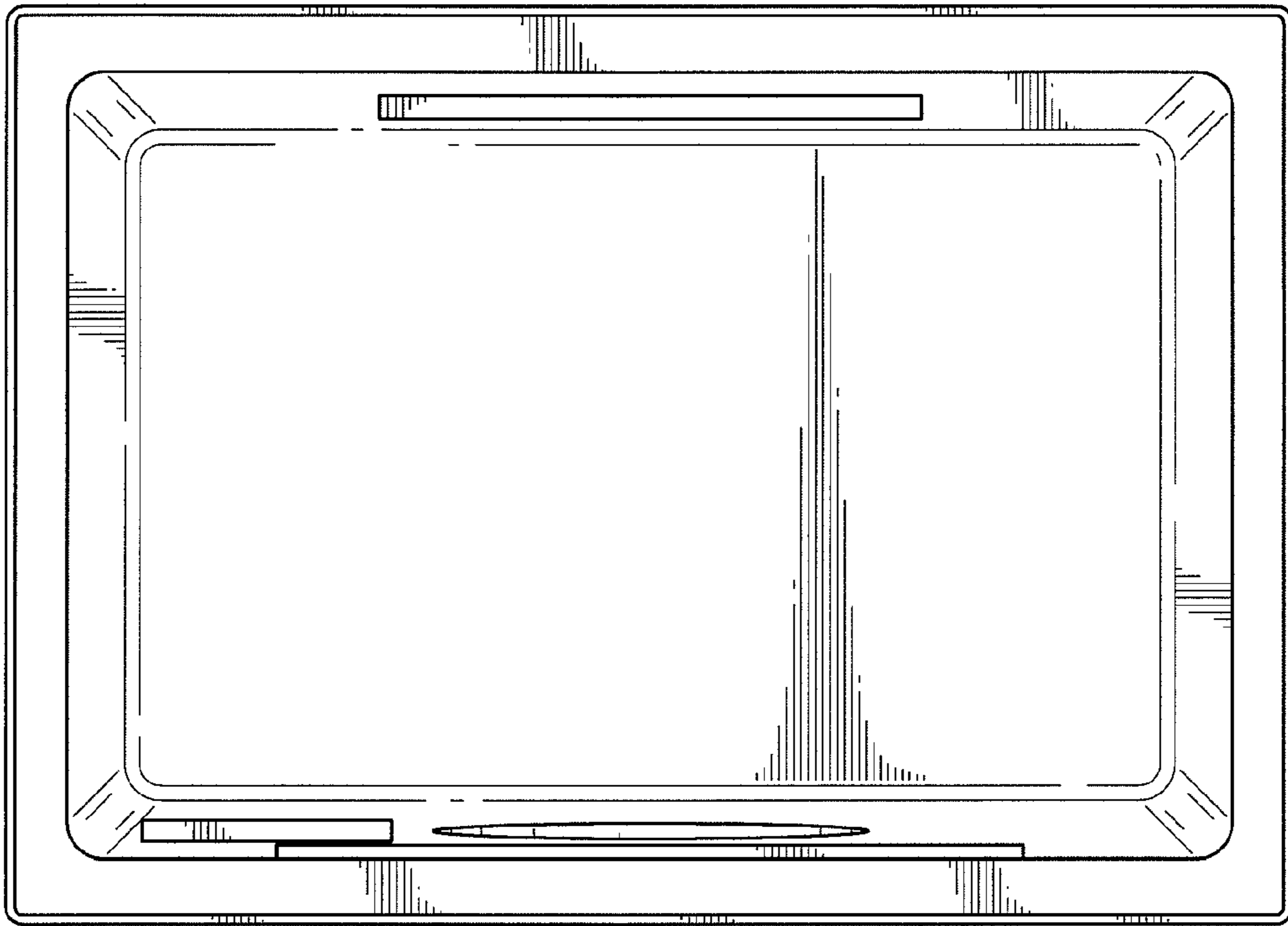


FIG.4

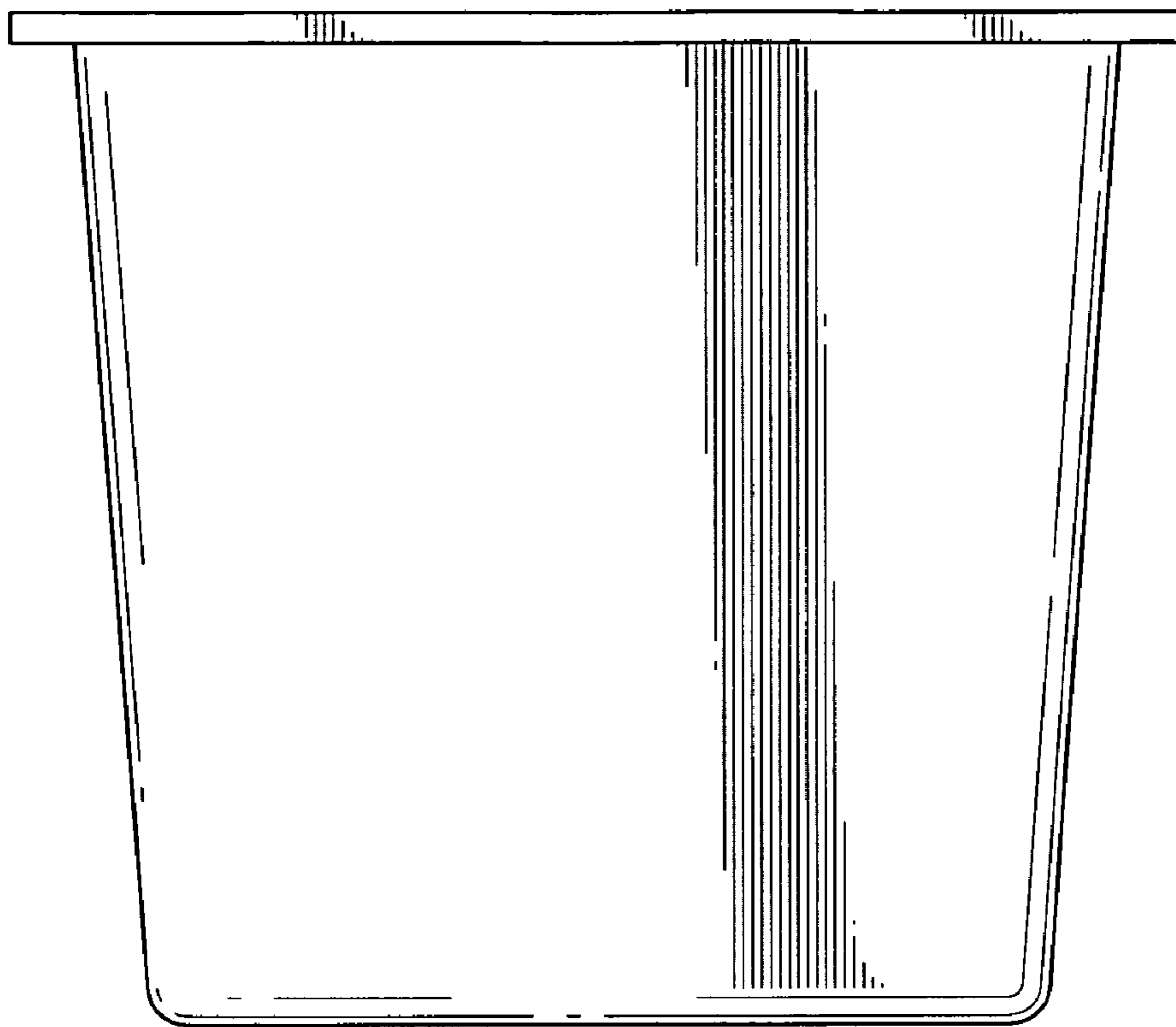


FIG.5

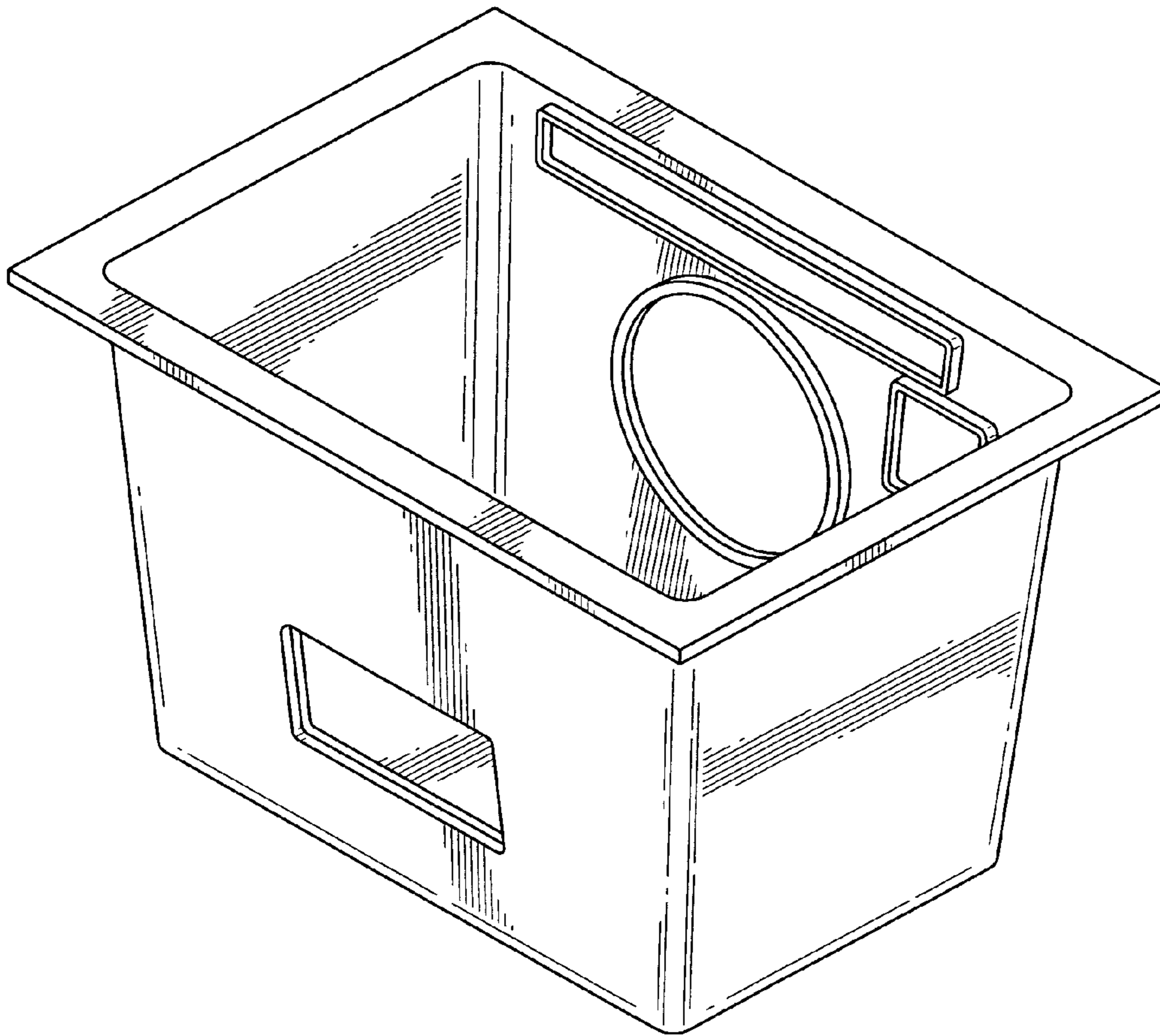


FIG.6

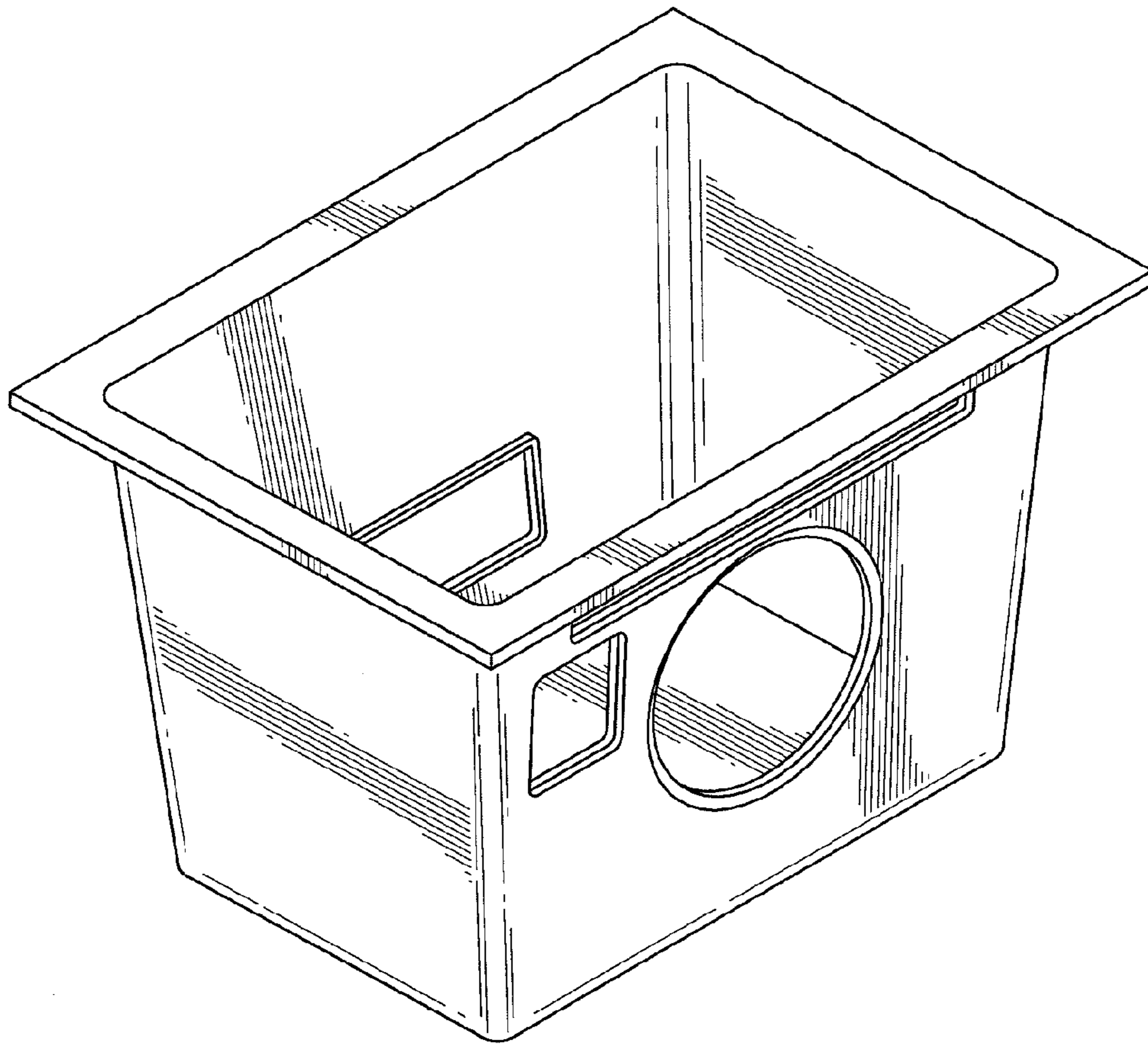


FIG.7