



US00D581501S

(12) **United States Design Patent**  
**Zou et al.**

(10) **Patent No.:** **US D581,501 S**

(45) **Date of Patent:** **\*\* Nov. 25, 2008**

(54) **WATER TANK**

*Primary Examiner*—Robert A Delehanty  
(74) *Attorney, Agent, or Firm*—Leong C. Lei

(75) Inventors: **Qiong Zou**, Weifang (CN); **Li-Min Hou**,  
Weifang (CN)

(57) **CLAIM**

(73) Assignee: **Globe Union Industrial Corp.**,  
Taichung (TW)

The ornamental design for a water tank, as shown and  
described.

(\*\*) Term: **14 Years**

**DESCRIPTION**

(21) Appl. No.: **29/299,149**

(22) Filed: **Dec. 20, 2007**

(51) **LOC (8) Cl.** ..... **23-02**

(52) **U.S. Cl.** ..... **D23/313**

(58) **Field of Classification Search** ..... D23/295,  
D23/301, 303, 309, 313; 4/664, 300, 353  
See application file for complete search history.

FIG. 1 is a perspective view of a water tank showing my new  
design;

FIG. 2 is a front elevational view thereof;

FIG. 3 is a rear elevational view thereof;

FIG. 4 is a left side elevational view thereof;

FIG. 5 is a right side elevational view thereof;

FIG. 6 is a top plan view thereof; and,

FIG. 7 is another perspective view thereof, with the toilet  
bowl engaged.

The dotted line showing of the toilet bowl is for illustrative  
purposes only and forms no part of the claimed design.

(56) **References Cited**

**U.S. PATENT DOCUMENTS**

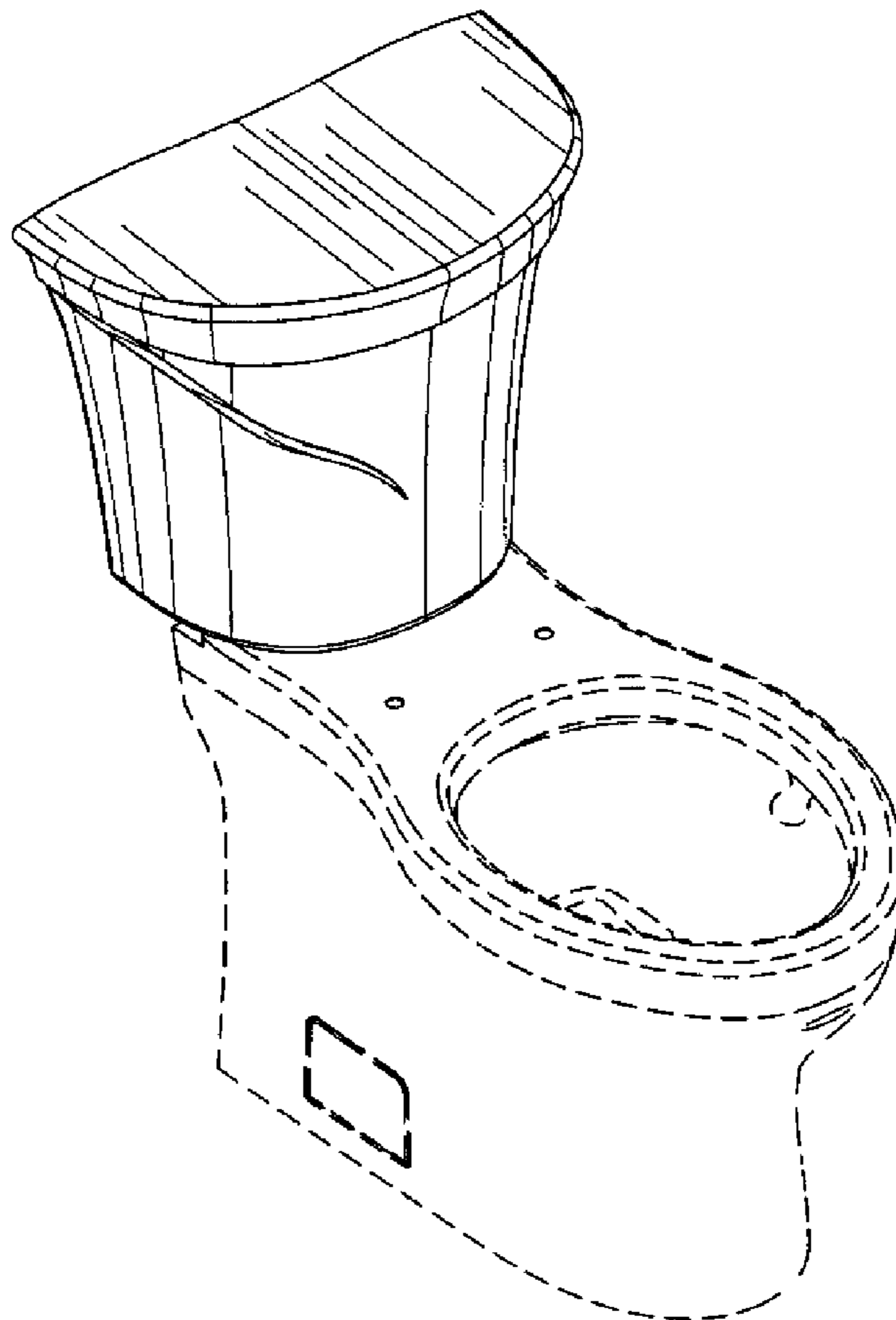
D440,643 S \* 4/2001 McKeone ..... D23/313

D443,052 S \* 5/2001 McKeone et al. .... D23/313

D491,651 S \* 6/2004 Bates ..... D23/313

\* cited by examiner

**1 Claim, 7 Drawing Sheets**



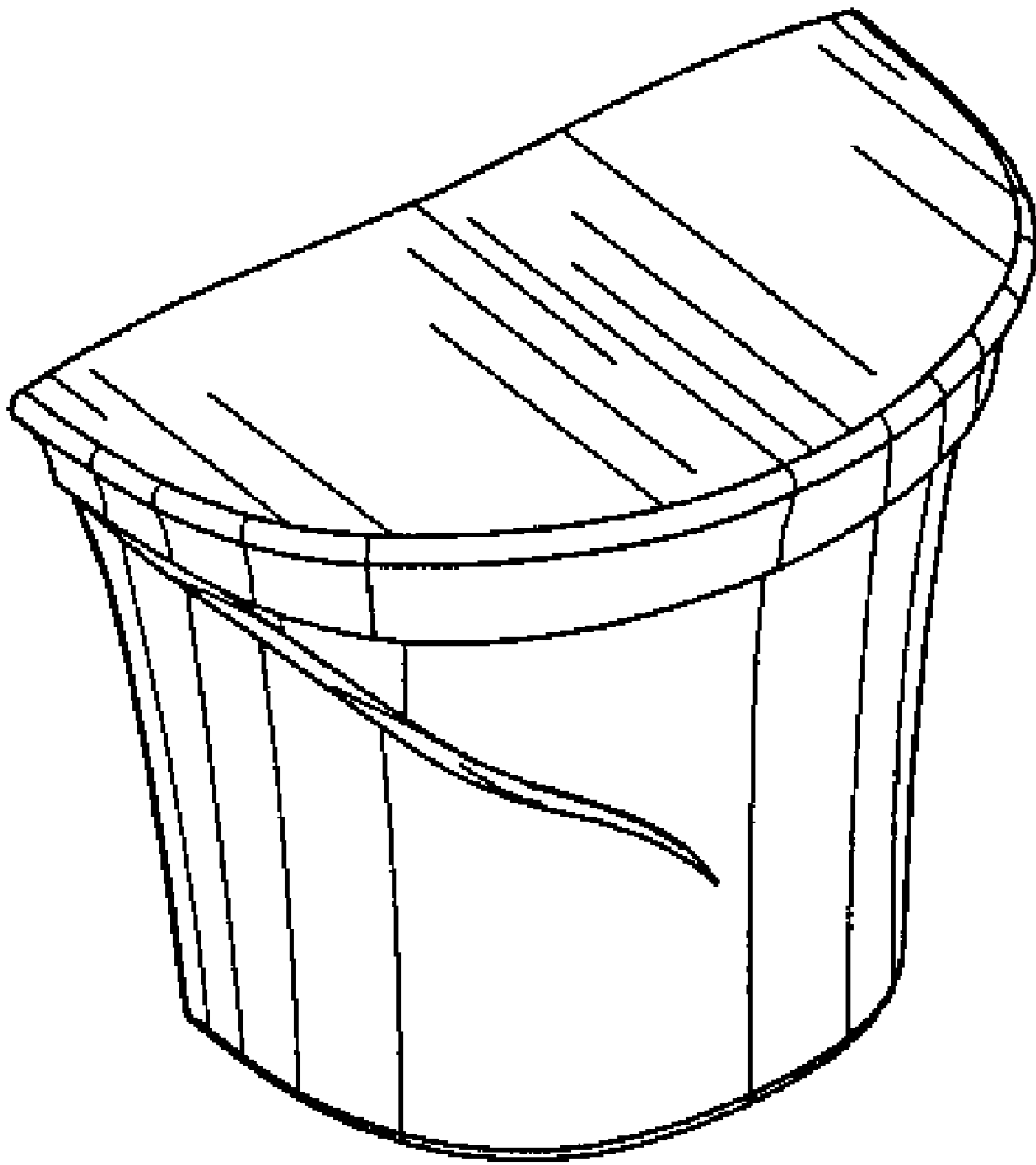


FIG. 1

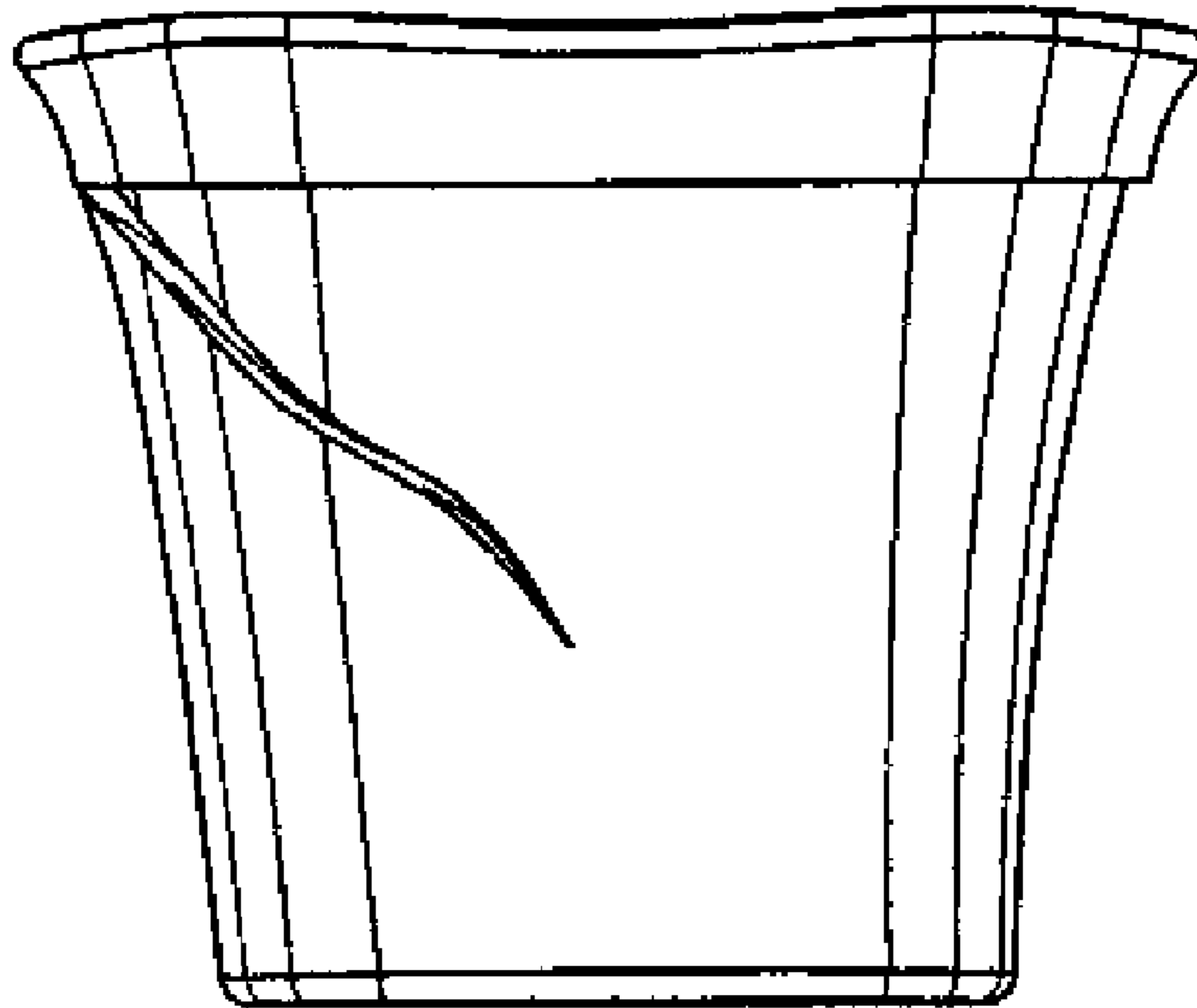


FIG. 2

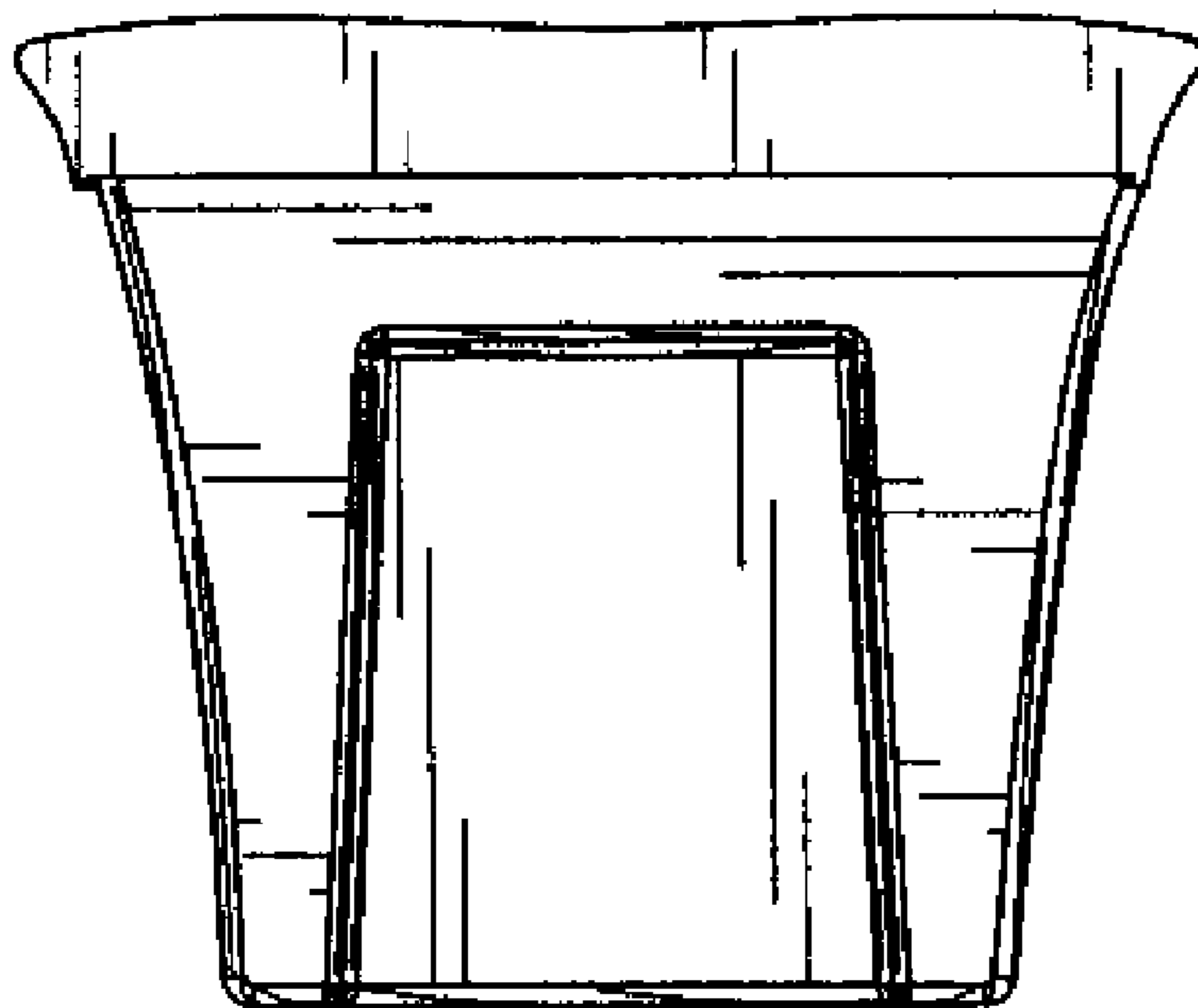


FIG. 3

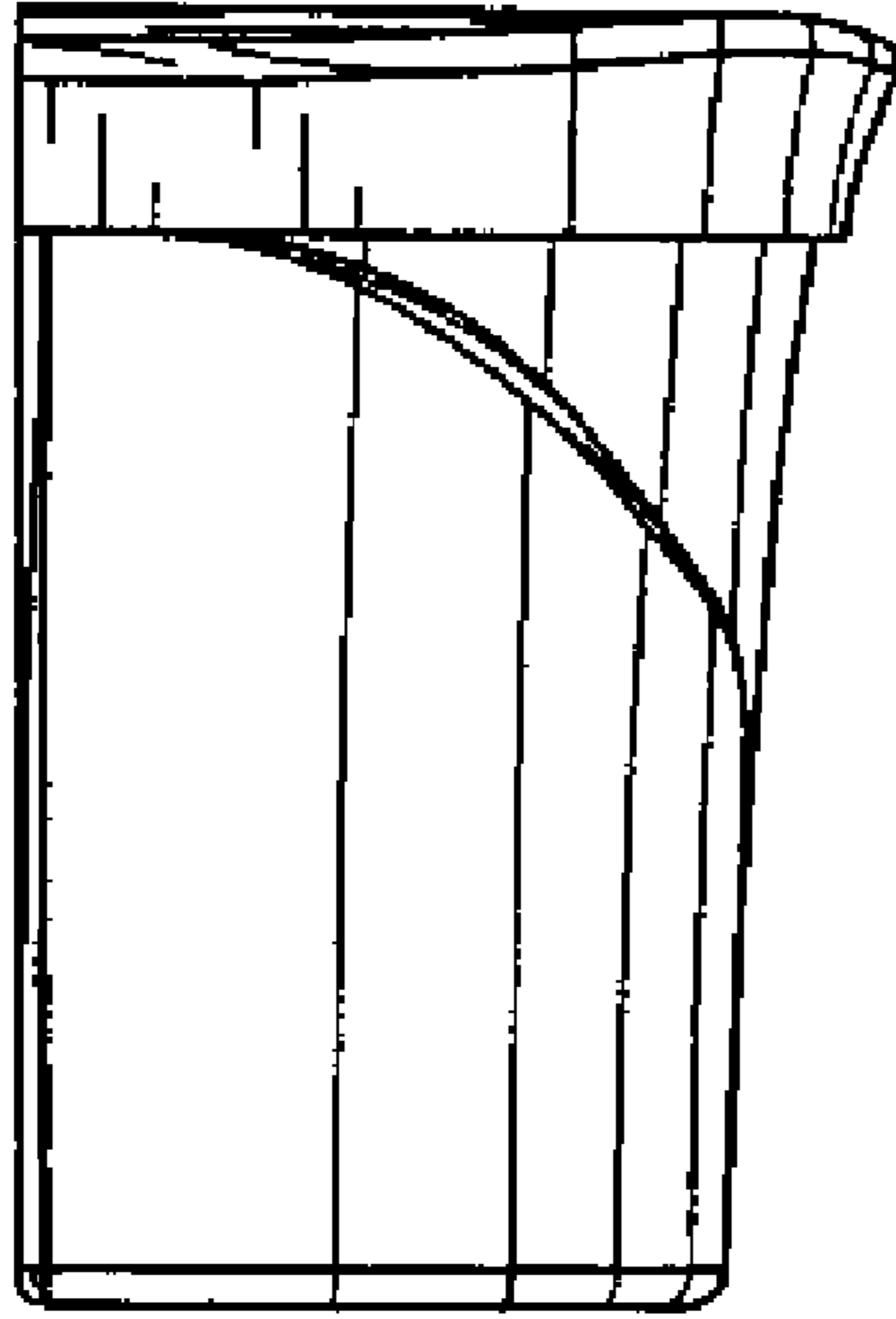


FIG. 4

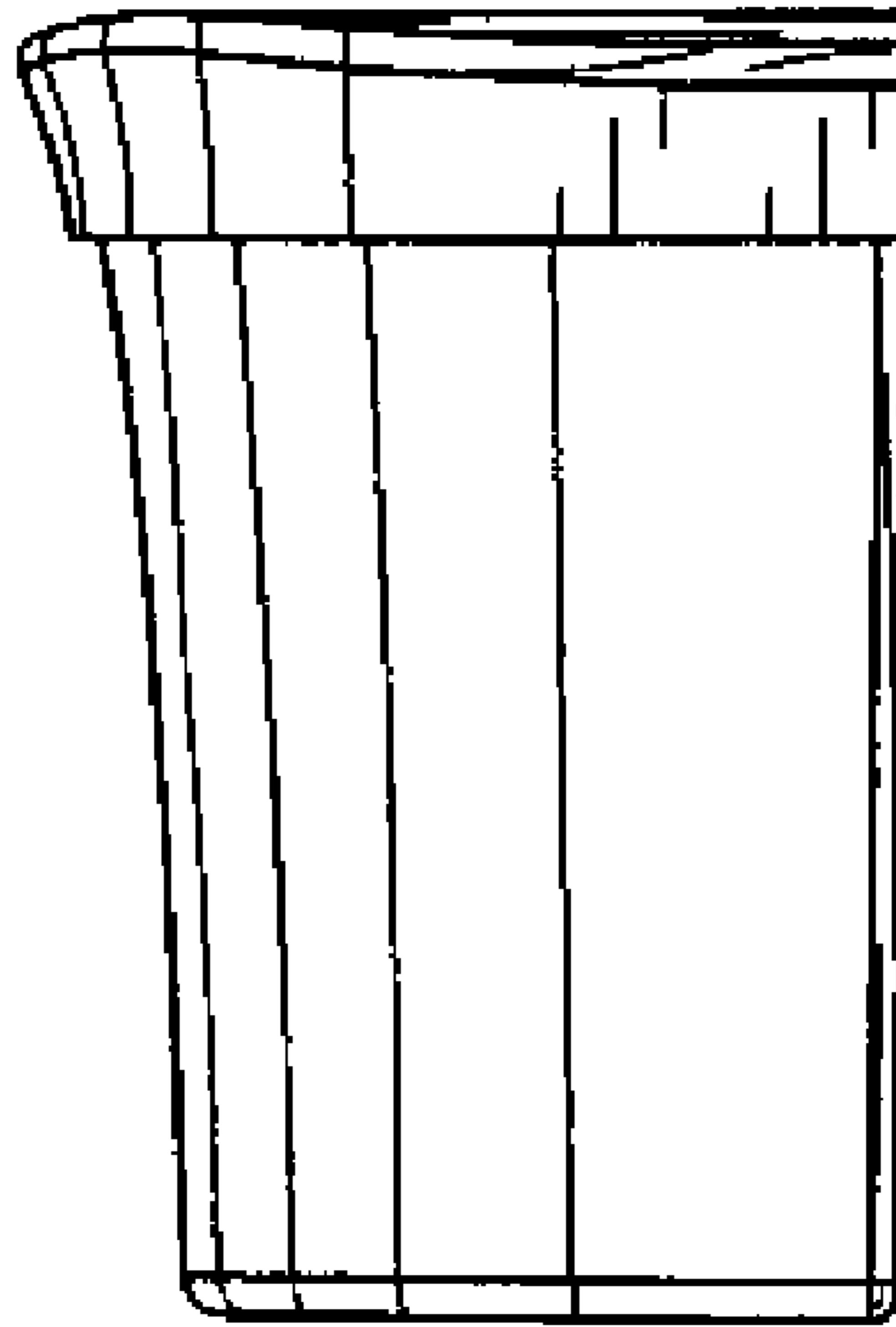


FIG. 5

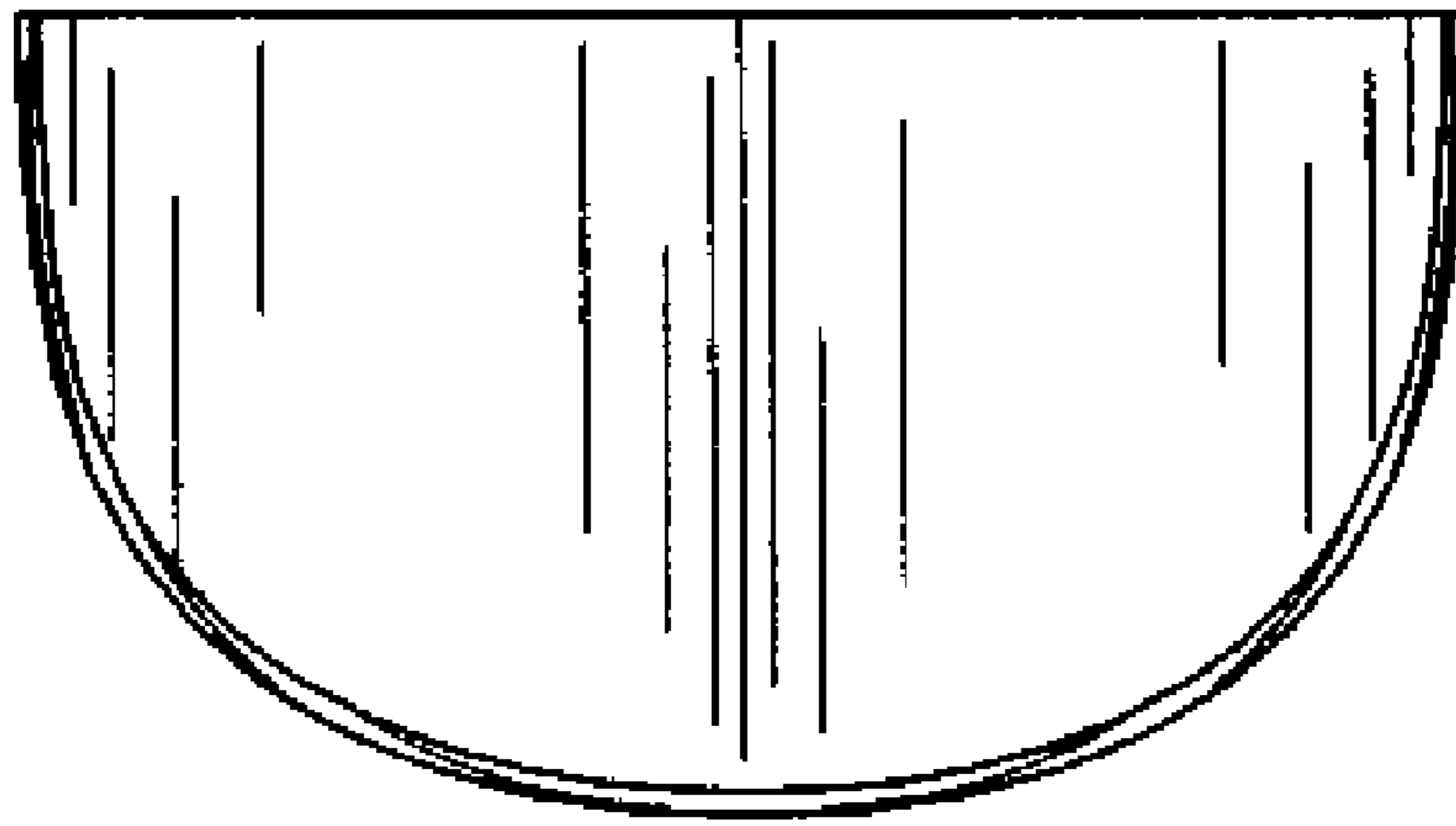


FIG. 6

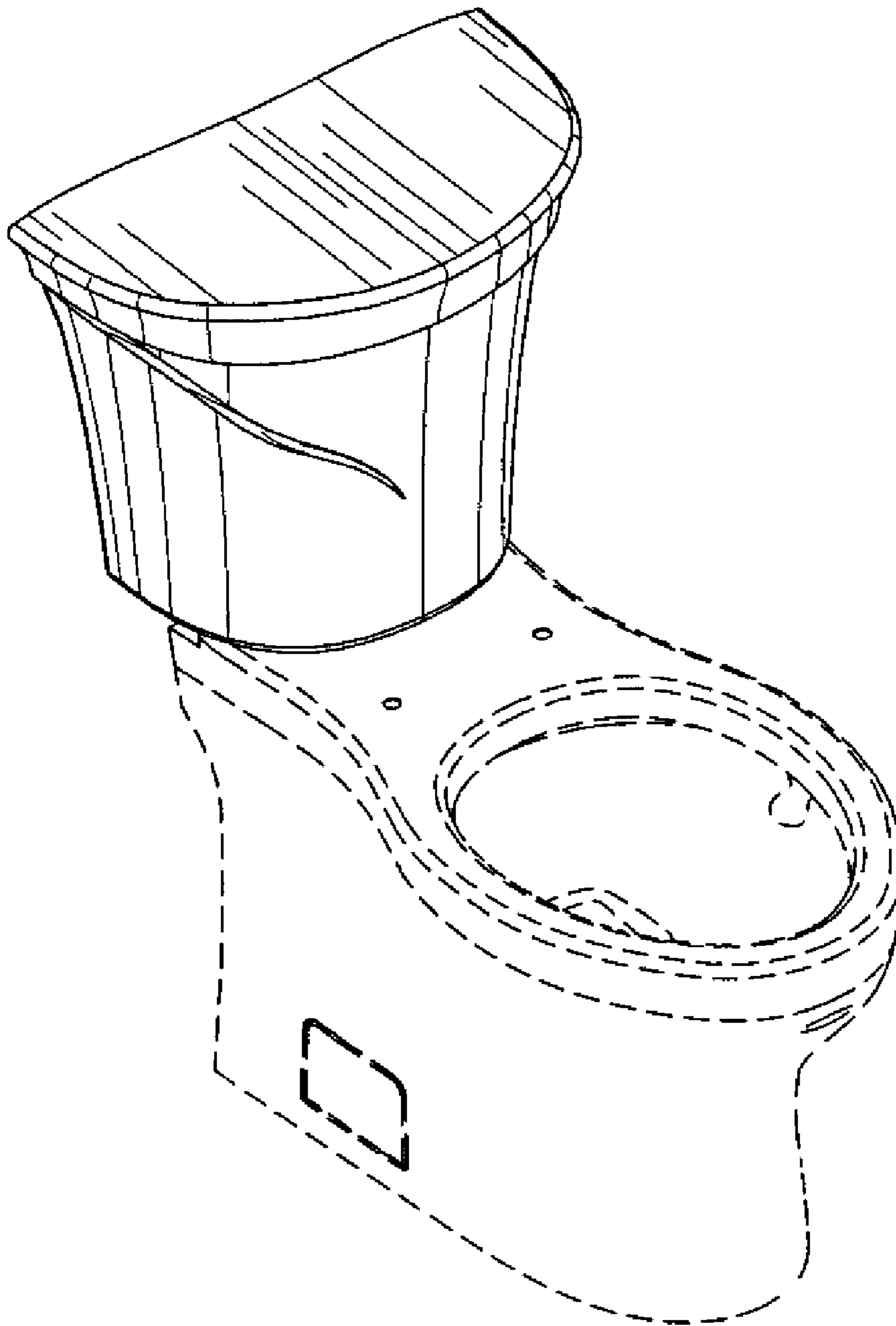


FIG. 7