



US00D581500S

(12) **United States Design Patent**  
**Lebrun**

(10) **Patent No.:** **US D581,500 S**

(45) **Date of Patent:** **\*\* Nov. 25, 2008**

(54) **BATHTUB**

(76) Inventor: **Nicolas Lebrun**, 14, rue De La Postière,  
Saint-Isidore (CA) G0S 2S0

(\*\*) Term: **14 Years**

(21) Appl. No.: **29/302,387**

(22) Filed: **Jan. 16, 2008**

(51) **LOC (8) Cl.** ..... **23-02**

(52) **U.S. Cl.** ..... **D23/277**

(58) **Field of Classification Search** ..... D23/275-277,  
D23/304-305; 4/538, 663, 596, 612, 614;  
D24/204-205

See application file for complete search history.

(56) **References Cited**

U.S. PATENT DOCUMENTS

D527,081 S \* 8/2006 Hatrick-Smith ..... D23/280.1

\* cited by examiner

*Primary Examiner*—Robert A Delehanty

(74) *Attorney, Agent, or Firm*—Ogilvy Renault LLP

(57) **CLAIM**

I claim the ornamental design for a bathtub, as shown and described.

**DESCRIPTION**

FIG. 1 is a perspective view of a bathtub having a shell with a wide end and an opposed narrow end;

FIG. 2 is a right side elevation view thereof, the left side being a mirror image thereof;

FIG. 3 is a top plan view thereof;

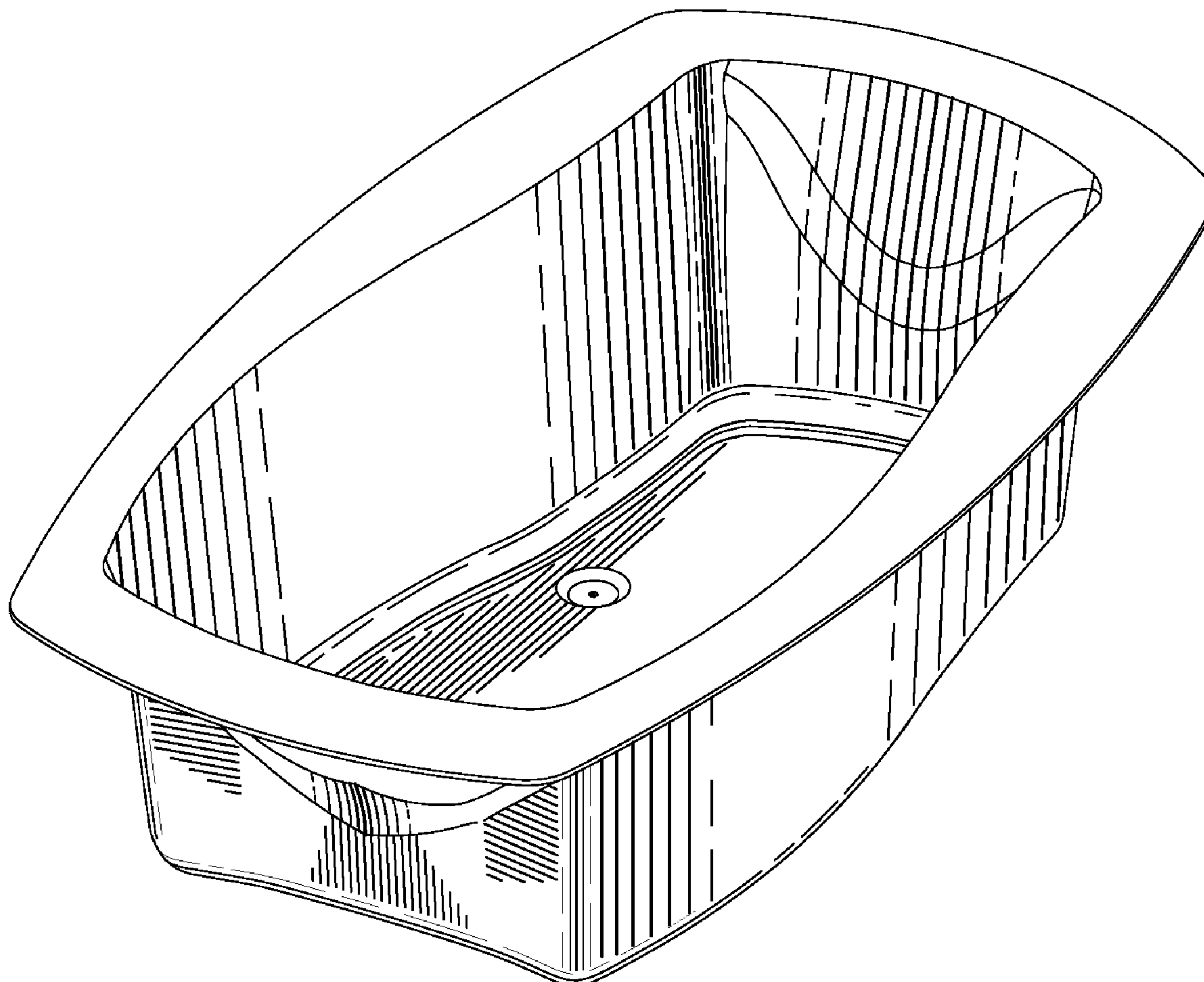
FIG. 4 is a rear elevation view thereof;

FIG. 5 is a front elevation view thereof; and,

FIG. 6 is a bottom plan view thereof.

The parts shown in dotted lines form no part of the invention.

**1 Claim, 3 Drawing Sheets**



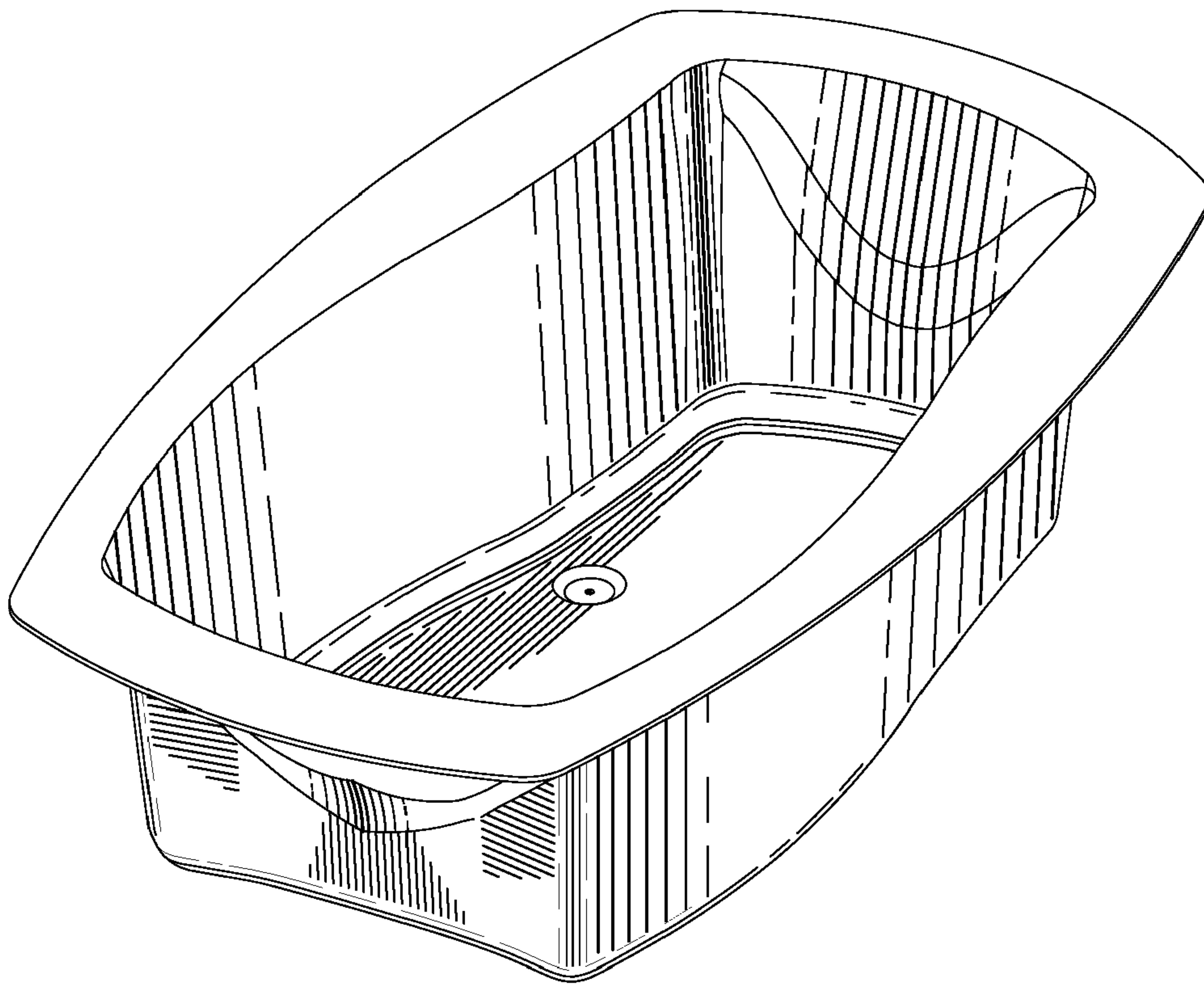


FIG. 1

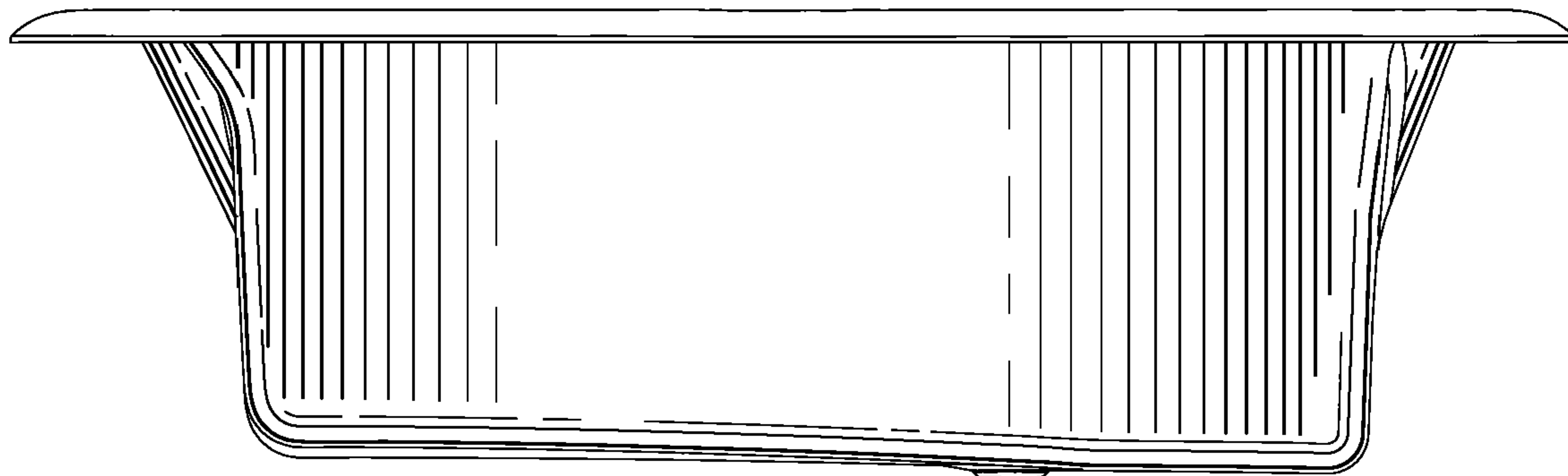


FIG. 2

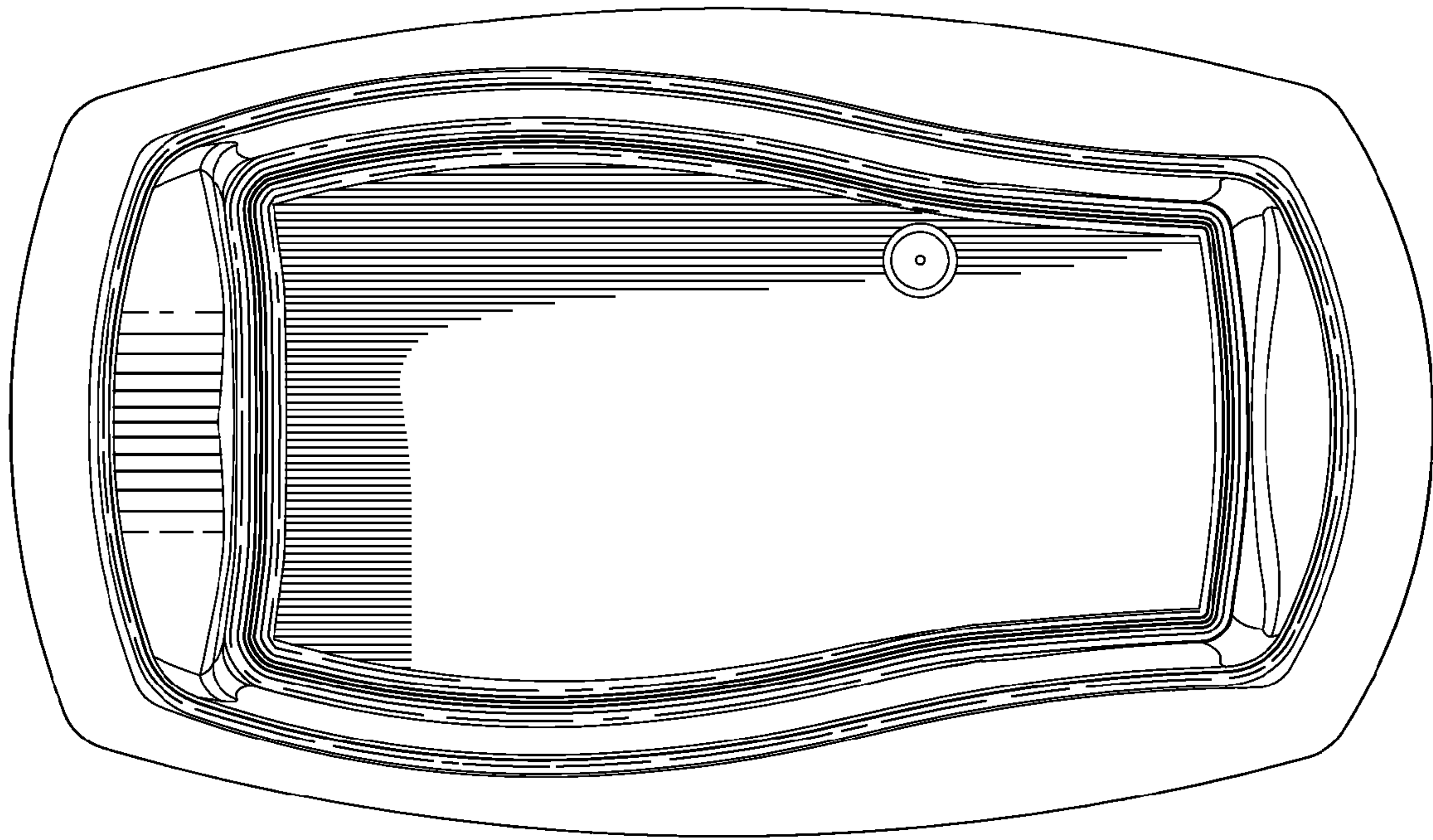


FIG. 3

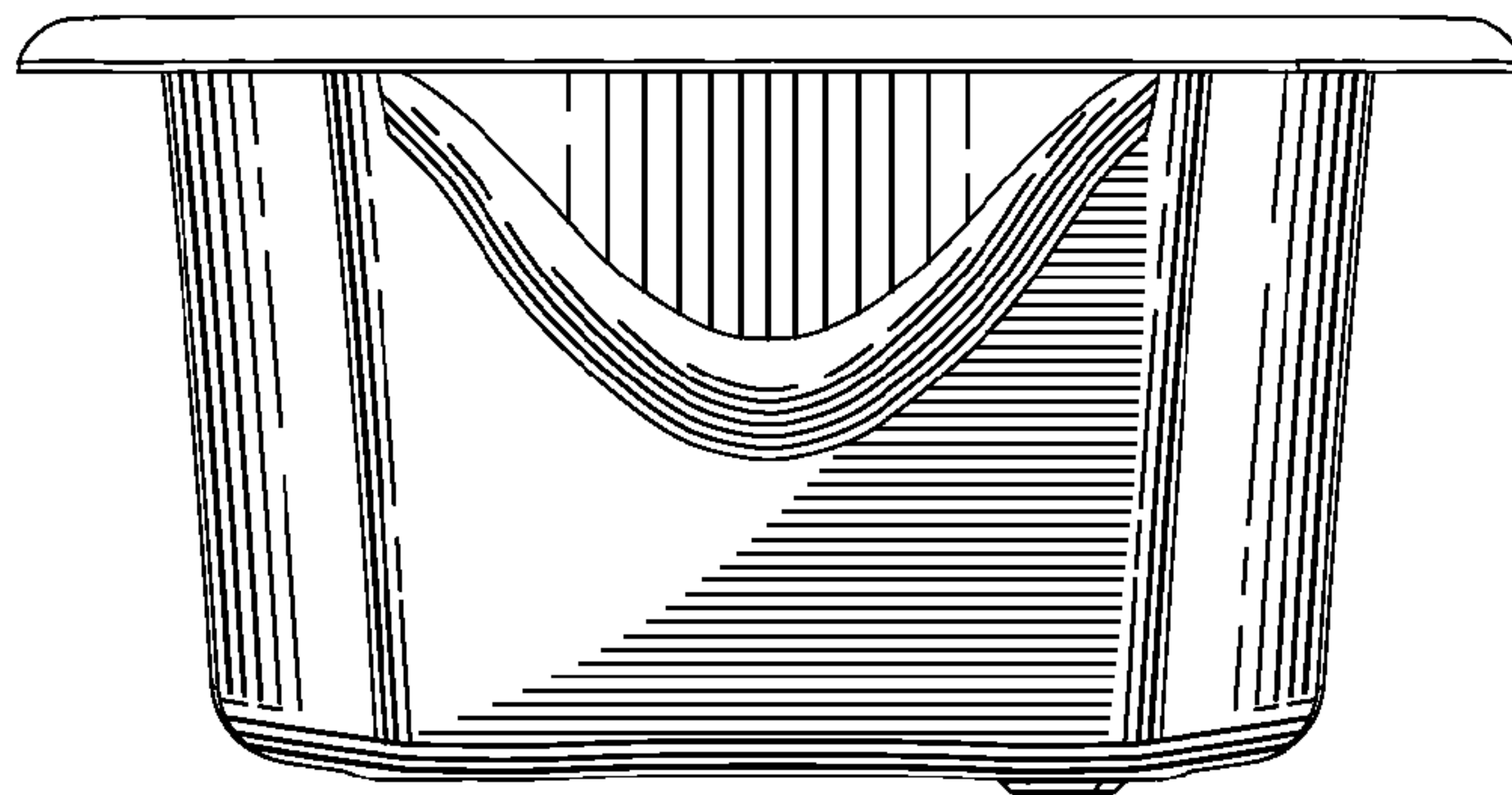


FIG. 4

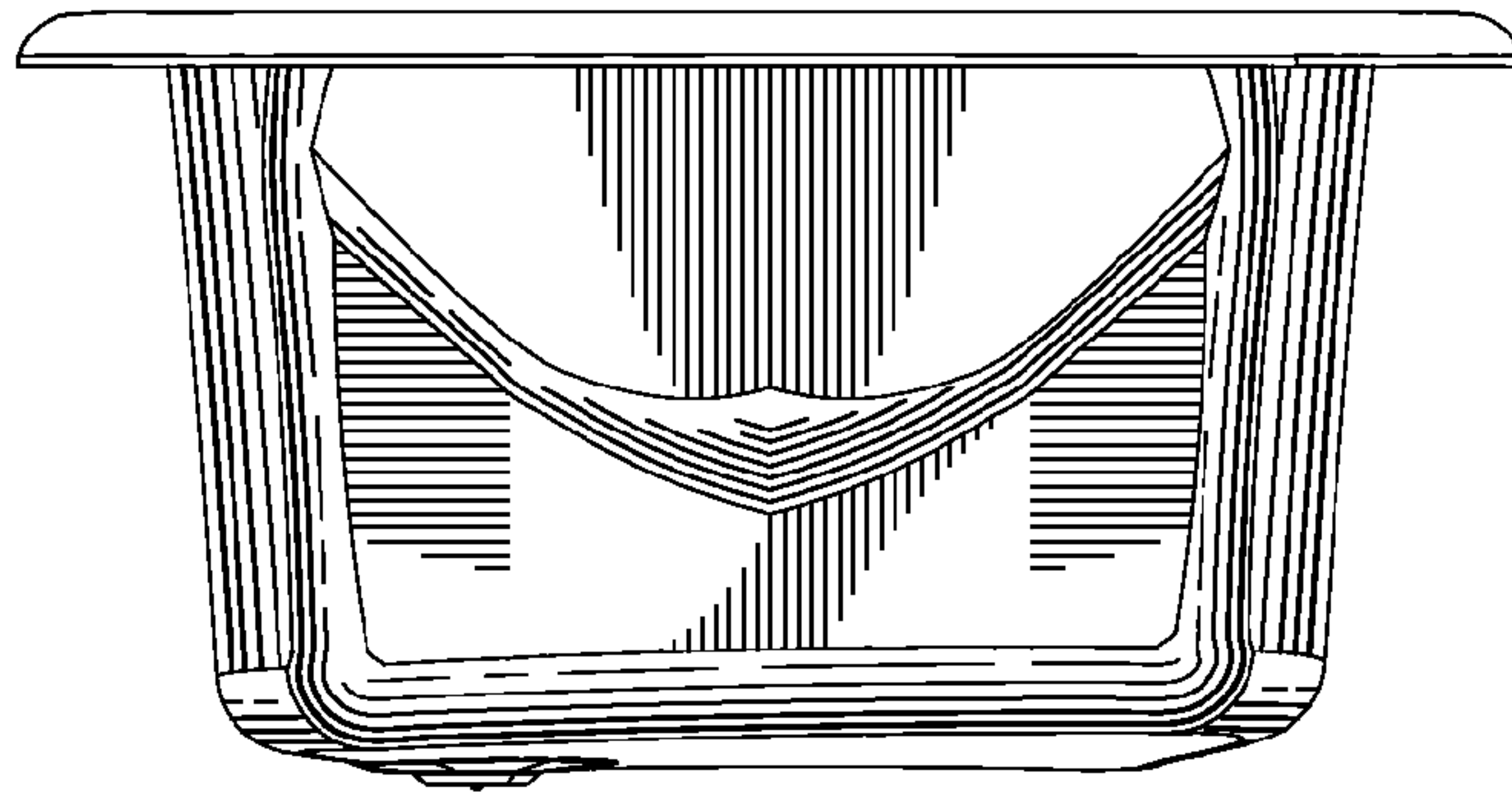


FIG. 5

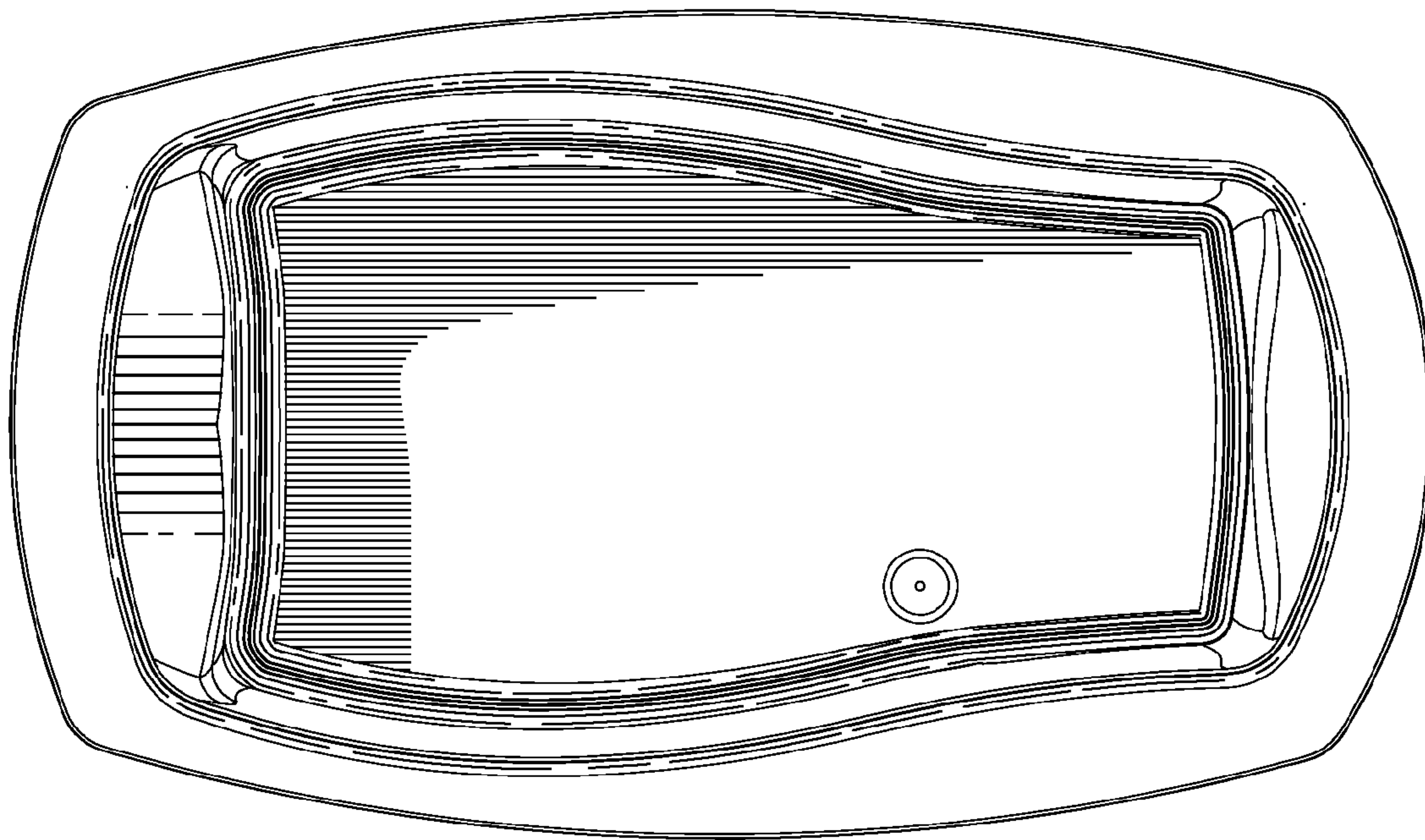


FIG. 6