



US00D581496S

(12) **United States Design Patent**
Dolan

(10) **Patent No.:** **US D581,496 S**
(45) **Date of Patent:** **** Nov. 25, 2008**

(54) **PORTION OF A SPOUT**

(76) Inventor: **Patrick S. Dolan**, 2700 NW. Front Ave.,
Portland, OR (US) 97210

(**) Term: **14 Years**

(21) Appl. No.: **29/291,328**

(22) Filed: **Aug. 23, 2007**

(51) **LOC (8) Cl.** **23-01**

(52) **U.S. Cl.** **D23/255**

(58) **Field of Classification Search** D23/255-257,
D23/238-243; 4/675-678; 137/801

See application file for complete search history.

(56) **References Cited**

U.S. PATENT DOCUMENTS

D478,966 S 8/2003 Citterio

(Continued)

OTHER PUBLICATIONS

U.S. Appl. No. 29/264,420, filed Nov. 7, 2006, Patrick S. Dolan.

(Continued)

Primary Examiner—Robert A Delehanty

(57) **CLAIM**

The ornamental design for a portion of a spout, as shown and described.

DESCRIPTION

FIG. 1 is a perspective view comprising a first embodiment of the new, original and ornamental design thereof;

FIG. 2 is a front elevational view comprising a first embodiment of the new, original and ornamental design thereof;

FIG. 3 is a right side view, the left being a mirror image, comprising a first embodiment of the new, original and ornamental design thereof;

FIG. 4 is a back view comprising a first embodiment of the new, original and ornamental design thereof;

FIG. 5 is a top view comprising a first embodiment of the new, original and ornamental design thereof;

FIG. 6 is a perspective view comprising a second embodiment of the new, original and ornamental design thereof;

FIG. 7 is a front elevational view comprising a second embodiment of the new, original and ornamental design thereof;

FIG. 8 is a right side view, the left being a mirror image, comprising a second embodiment of the new, original and ornamental design thereof;

FIG. 9 is a back view comprising a second embodiment of the new, original and ornamental design thereof;

FIG. 10 is a top view comprising a second embodiment of the new, original and ornamental design thereof;

FIG. 11 is a perspective view comprising a third embodiment of the new, original and ornamental design thereof;

FIG. 12 is a front elevational view comprising a third embodiment of the new, original and ornamental design thereof;

FIG. 13 is a right side view, the left being a mirror image, comprising a third embodiment of the new, original and ornamental design thereof;

FIG. 14 is a back view comprising a third embodiment of the new, original and ornamental design thereof;

FIG. 15 is a top view comprising a third embodiment of the new, original and ornamental design thereof;

FIG. 16 is a perspective view comprising a fourth embodiment of the new, original and ornamental design thereof;

FIG. 17 is a front elevational view comprising a fourth embodiment of the new, original and ornamental design thereof;

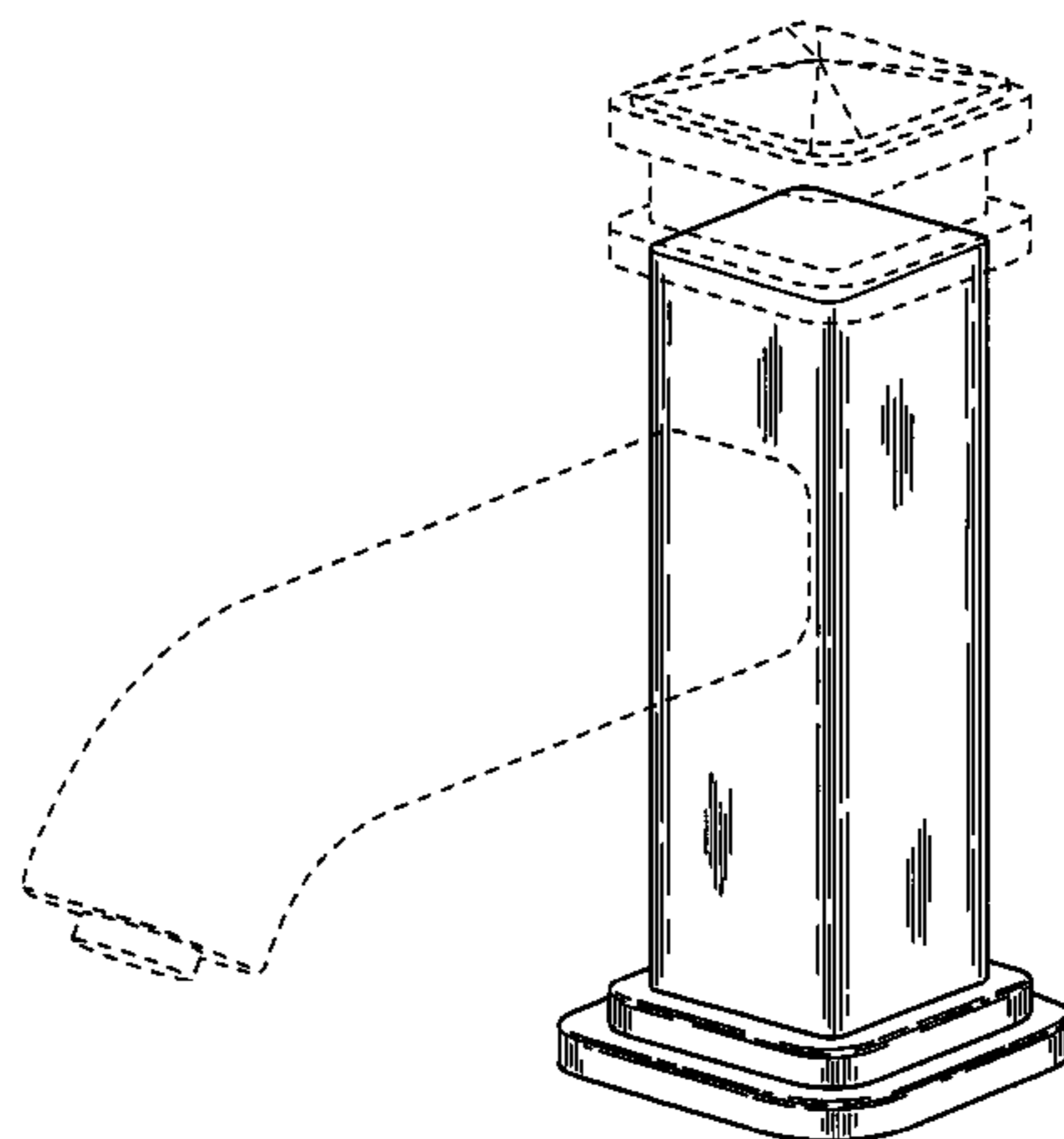
FIG. 18 is a right side view, the left being a mirror image, comprising a fourth embodiment of the new, original and ornamental design thereof;

FIG. 19 is a back view comprising a fourth embodiment of the new, original and ornamental design thereof; and,

FIG. 20 is a top view comprising a fourth embodiment of the new, original and ornamental design.

The broken lines showing of environmental structure are for illustrative purposes only and forms no part of the claimed design.

1 Claim, 20 Drawing Sheets



US D581,496 S

Page 2

U.S. PATENT DOCUMENTS

D503,217 S 3/2005 Aubry
D510,978 S 10/2005 Kulig
D566,245 S * 4/2008 Dolan D23/255
D570,451 S * 6/2008 Dolan D23/242

OTHER PUBLICATIONS

U.S. Appl. No. 29/286,999, filed Aug. 27, 2007, Patrick S. Dolan.
U.S. Appl. No. 29/291,332, filed Aug. 28, 2007, Patrick S. Dolan.

U.S. Appl. No. 29/291,442, filed Aug. 28, 2007, Patrick S. Dolan.
U.S. Appl. No. 29/291,443, filed Aug. 28, 2007, Patrick S. Dolan.
U.S. Appl. No. 29/291,444, filed Aug. 28, 2007, Patrick S. Dolan.
Tilo, Kaiping City, China, Catalog 2005. p. 35, Model TL-06A002.
Tilo, Kaiping City, China, Catalog 2005. p. 61, Model TL:04K102.

* cited by examiner

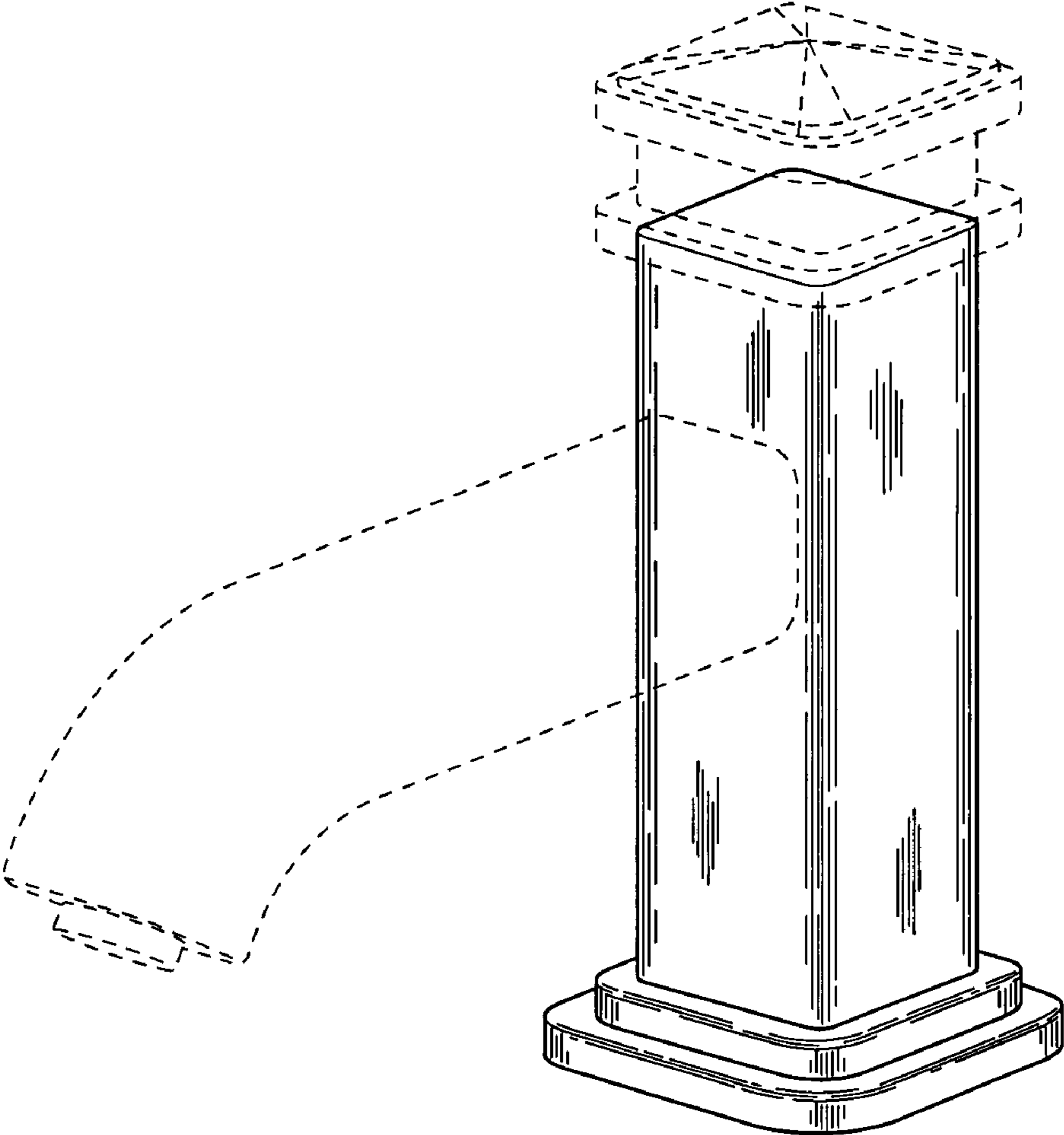


FIG. 1

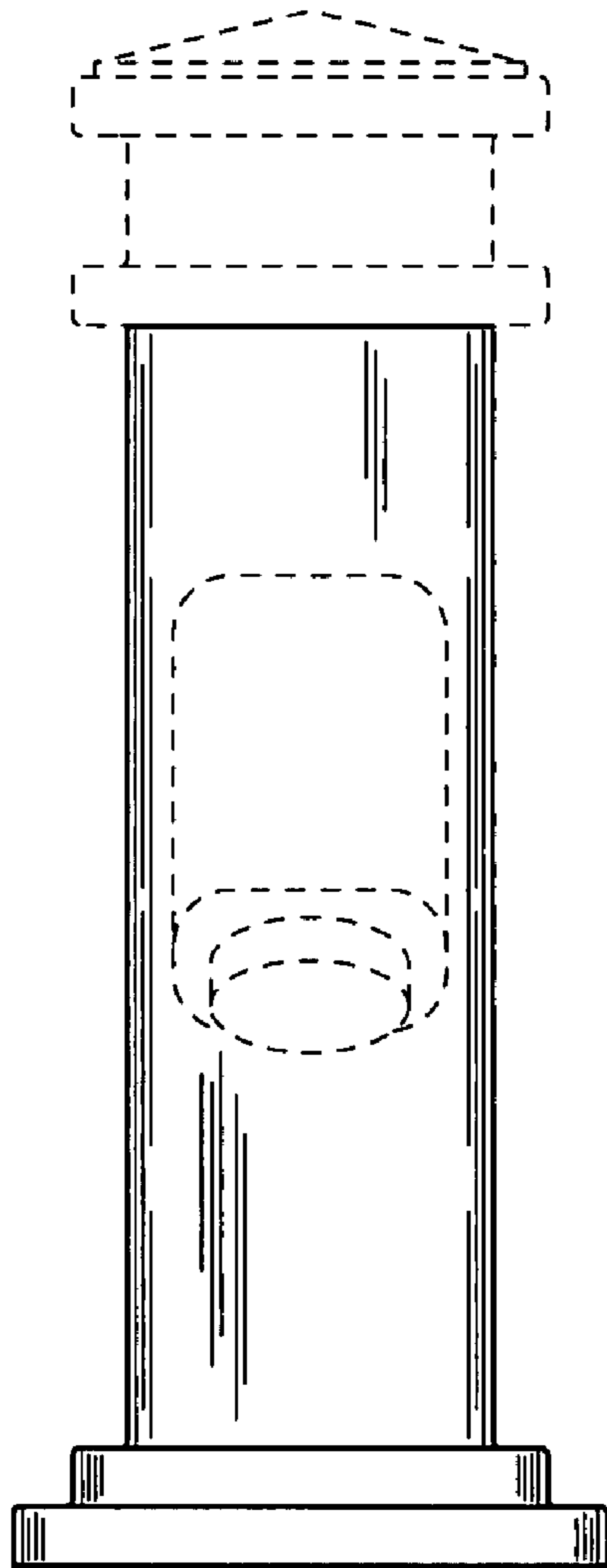


FIG. 2

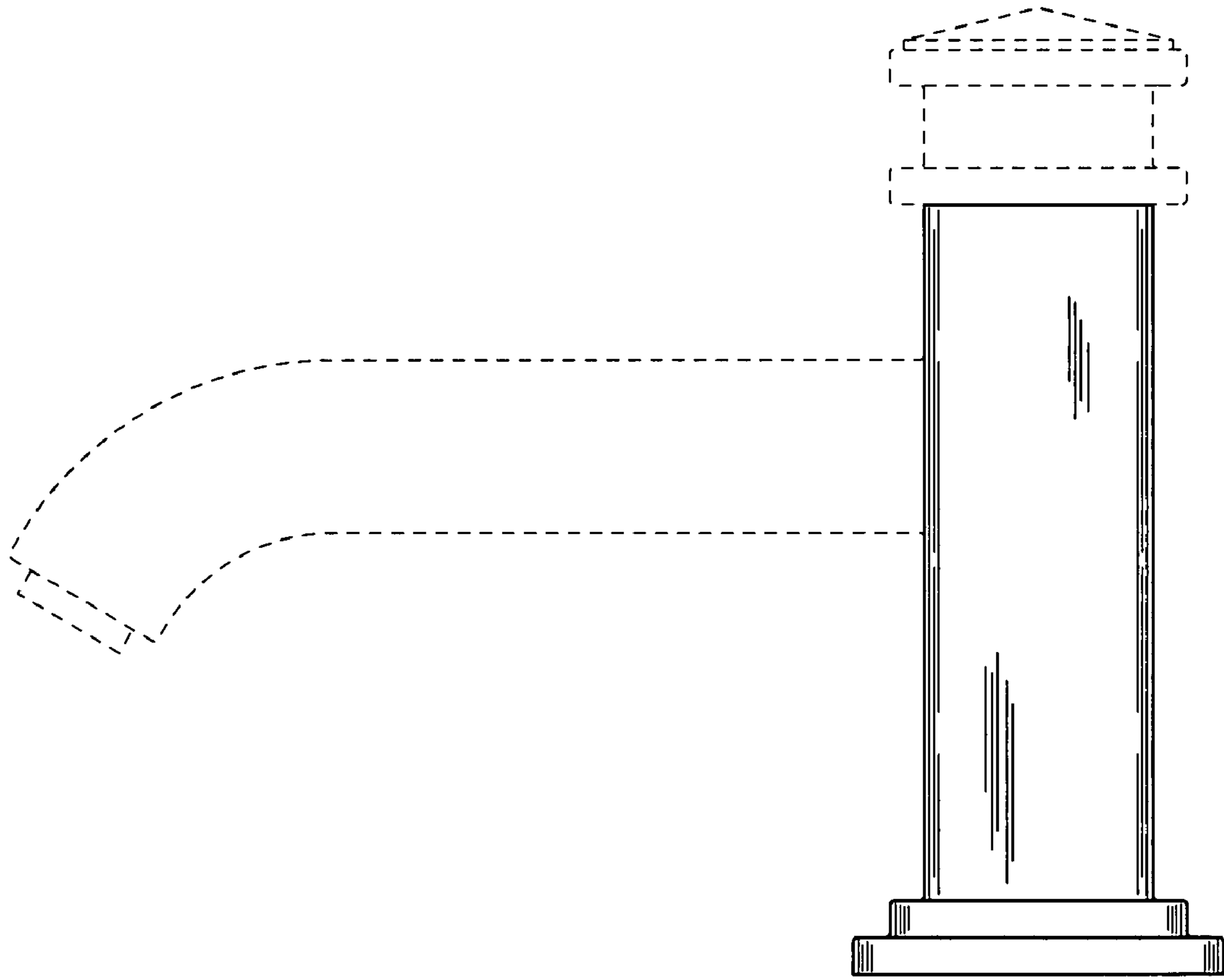


FIG. 3

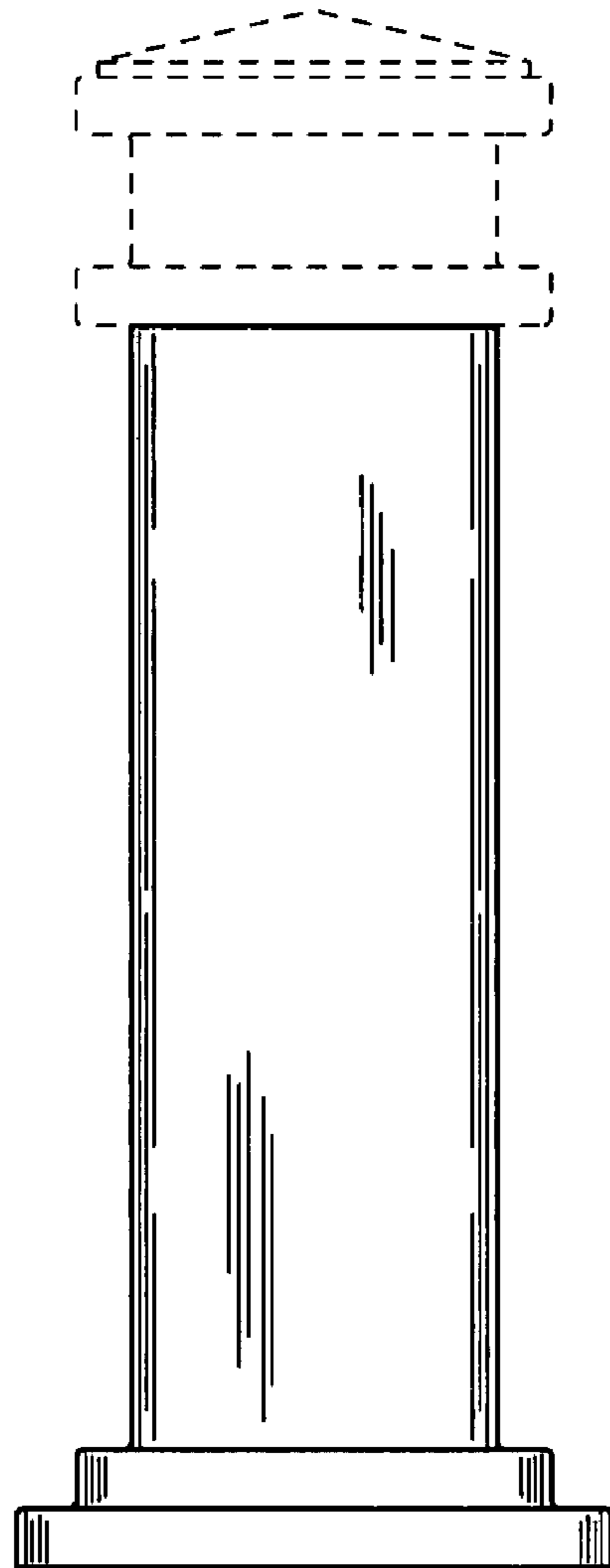


FIG. 4

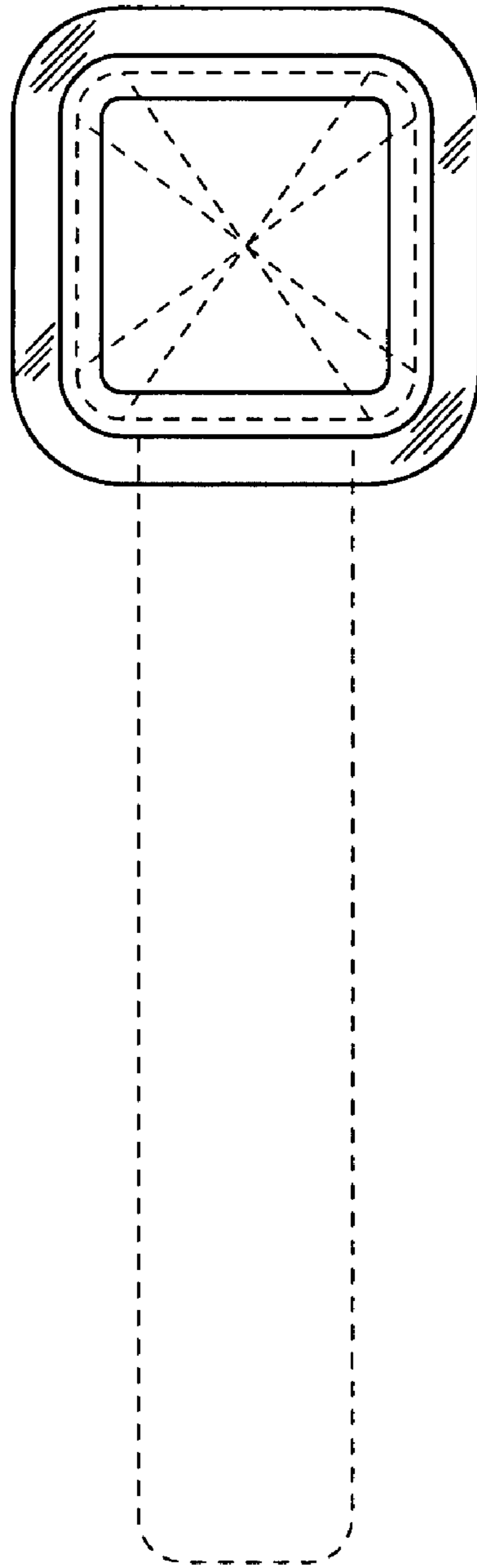


FIG. 5

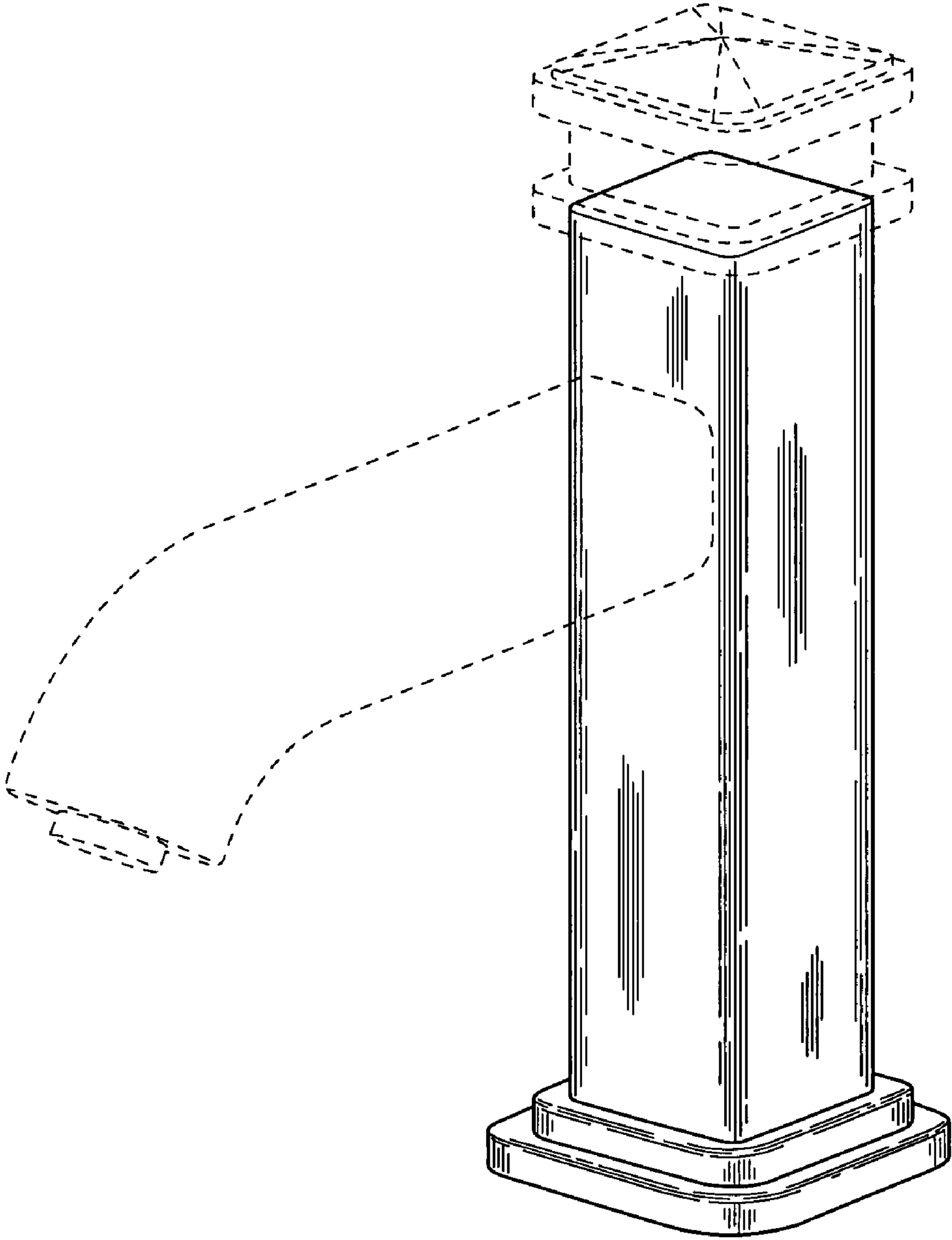


FIG. 6

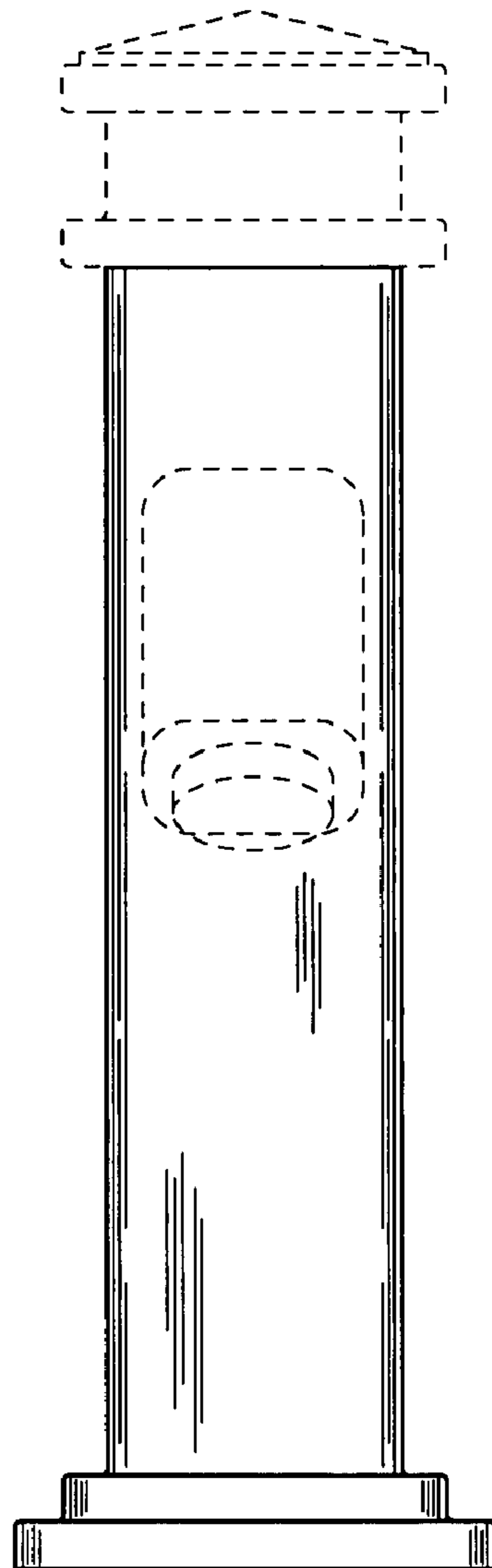


FIG. 7

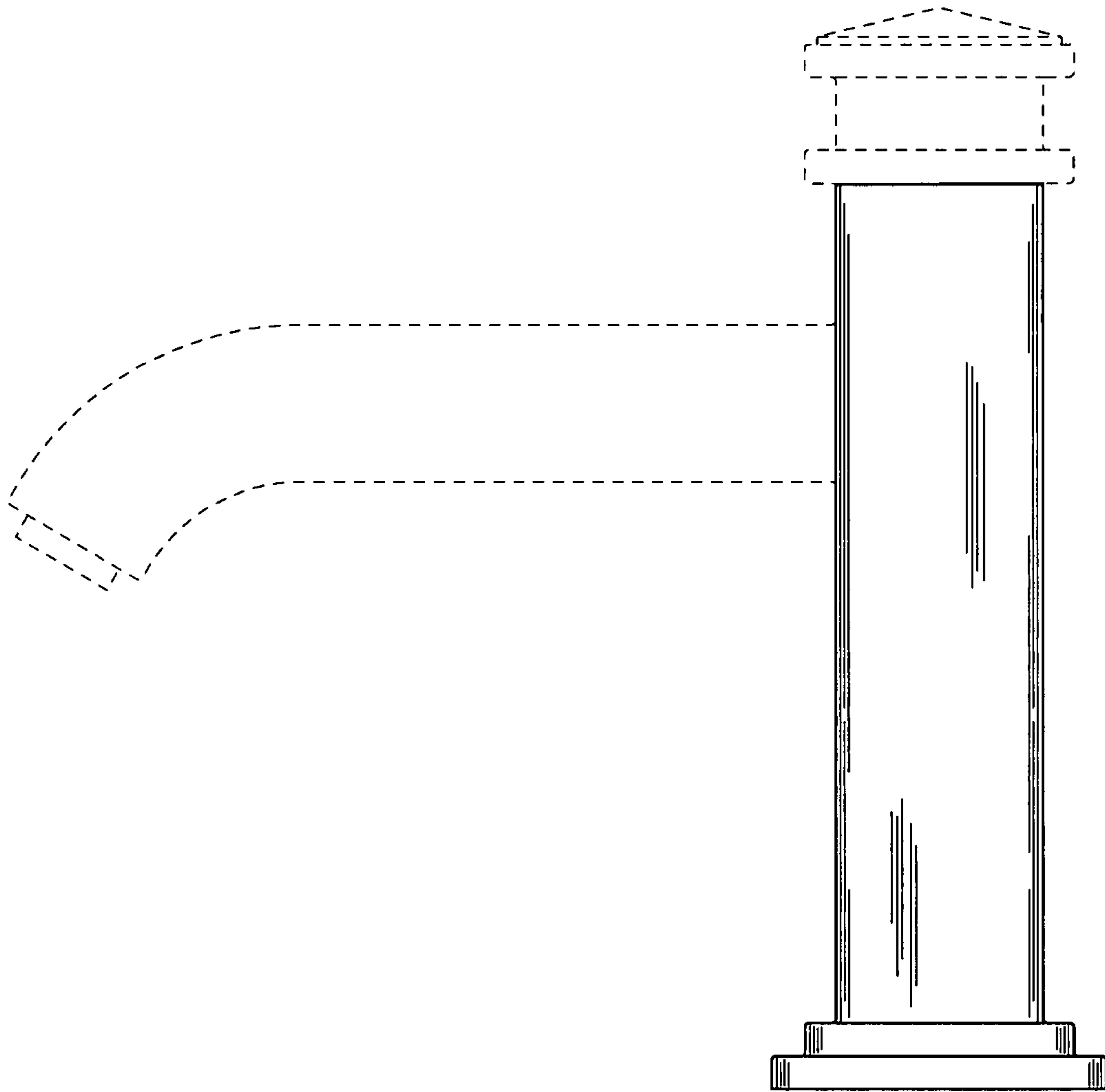


FIG. 8

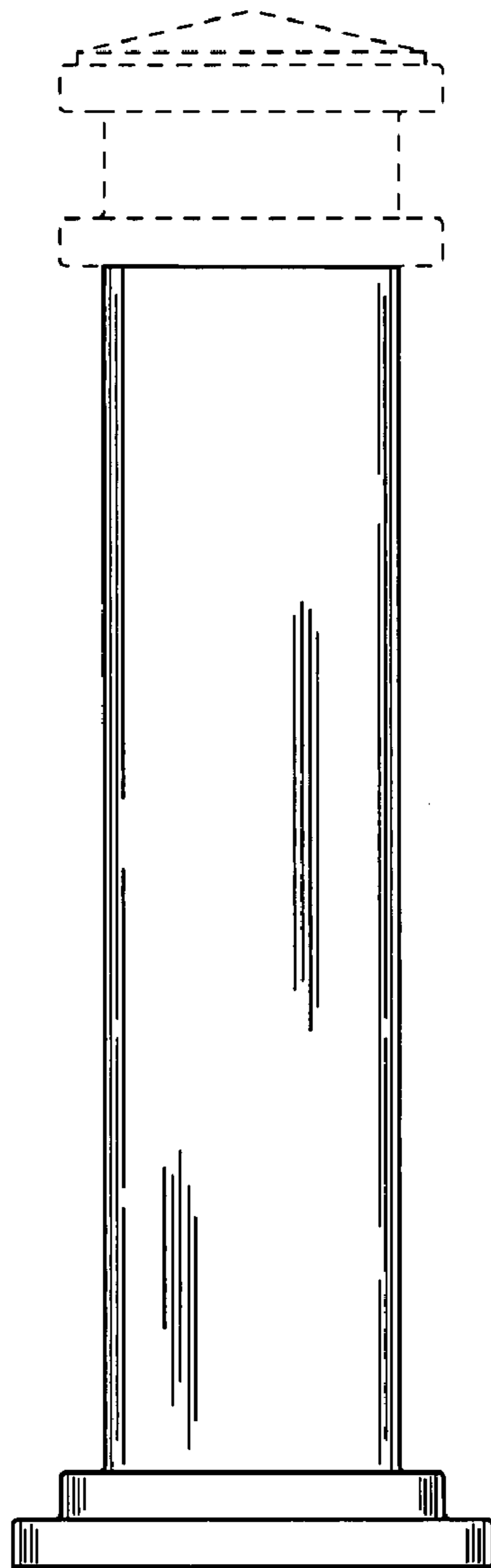


FIG. 9

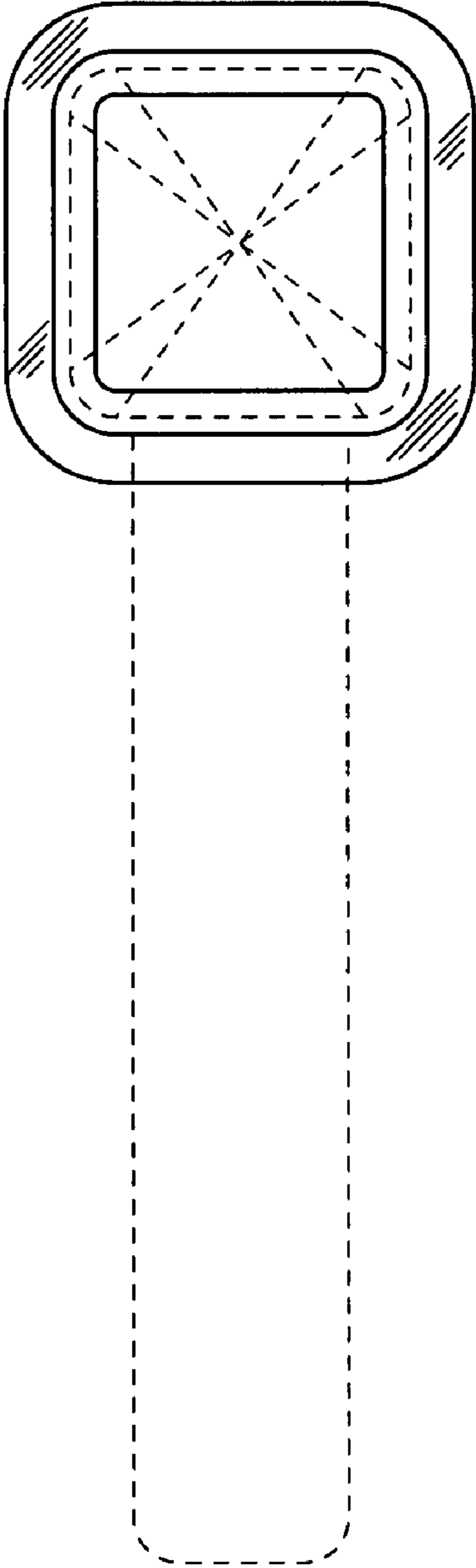


FIG. 10

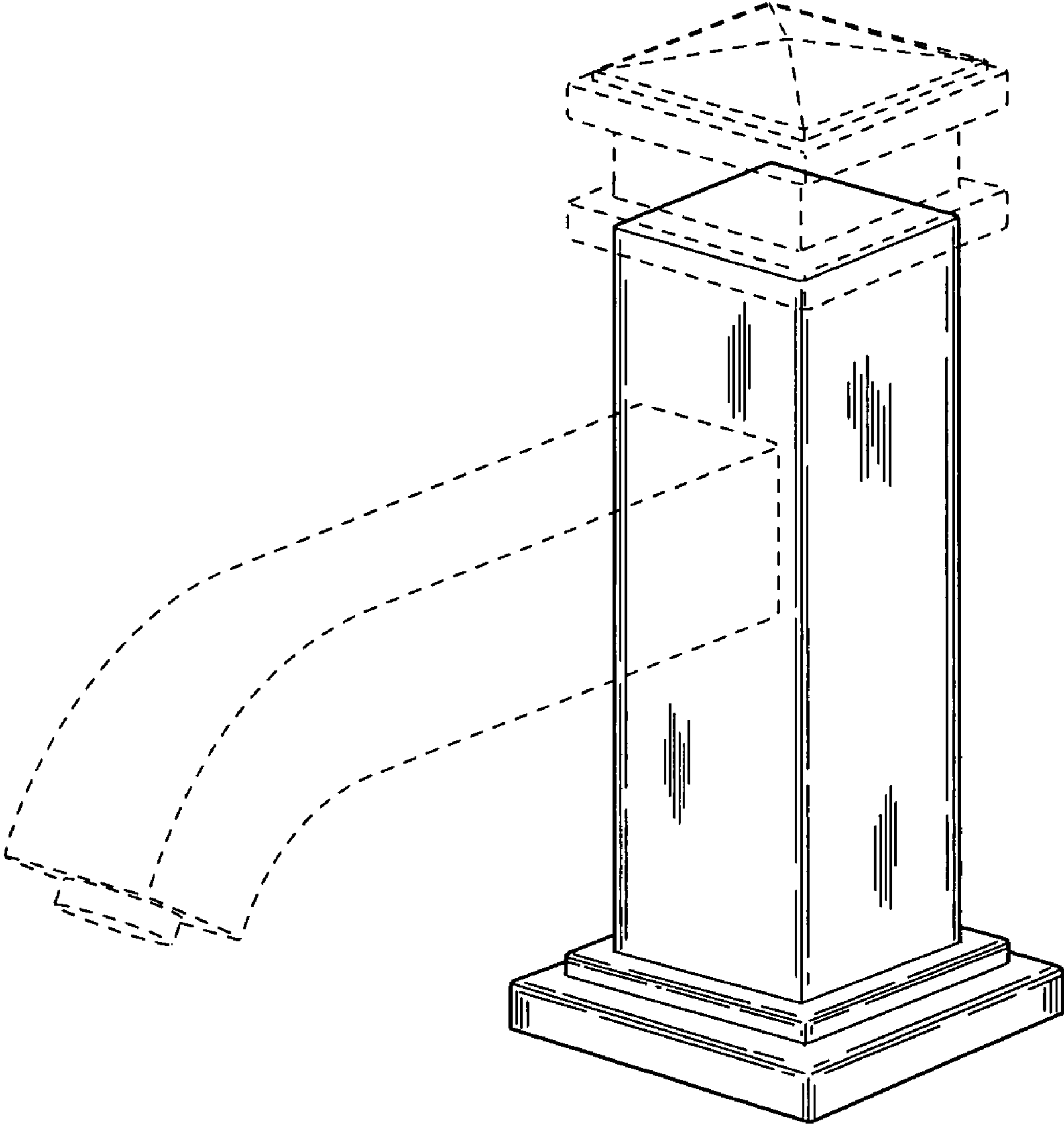


FIG. 11

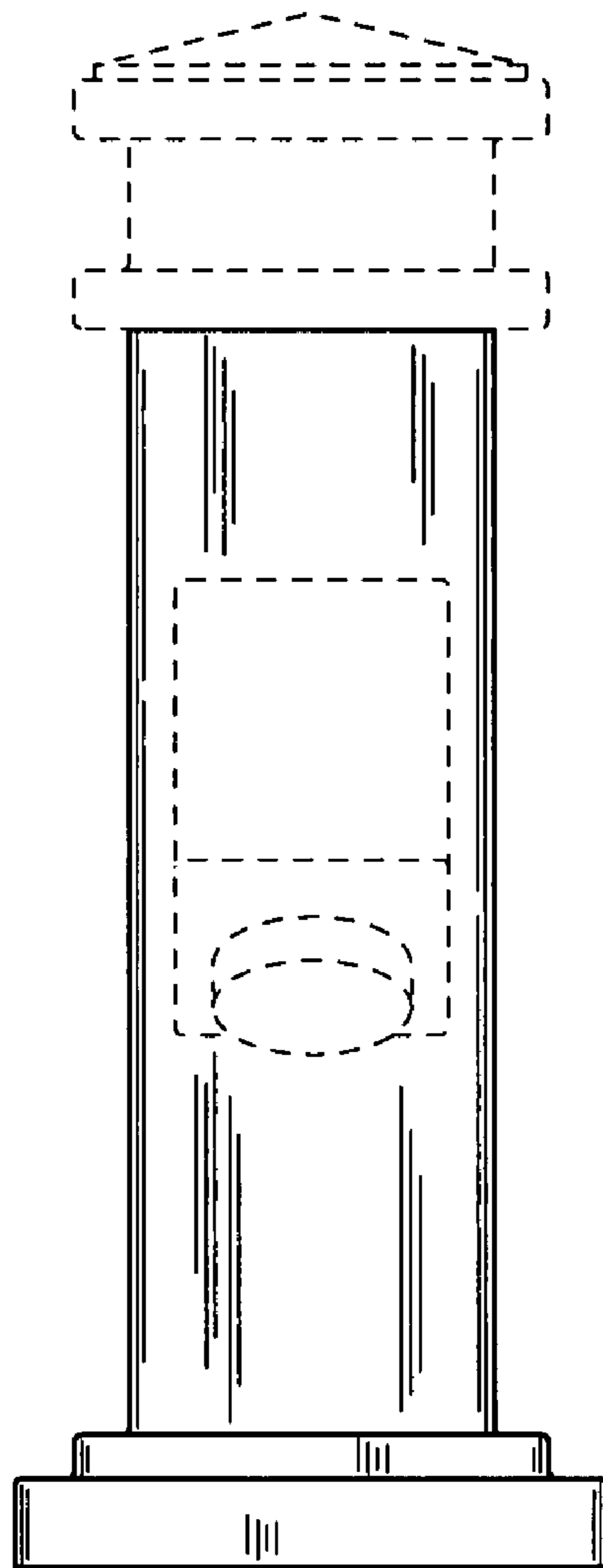


FIG. 12

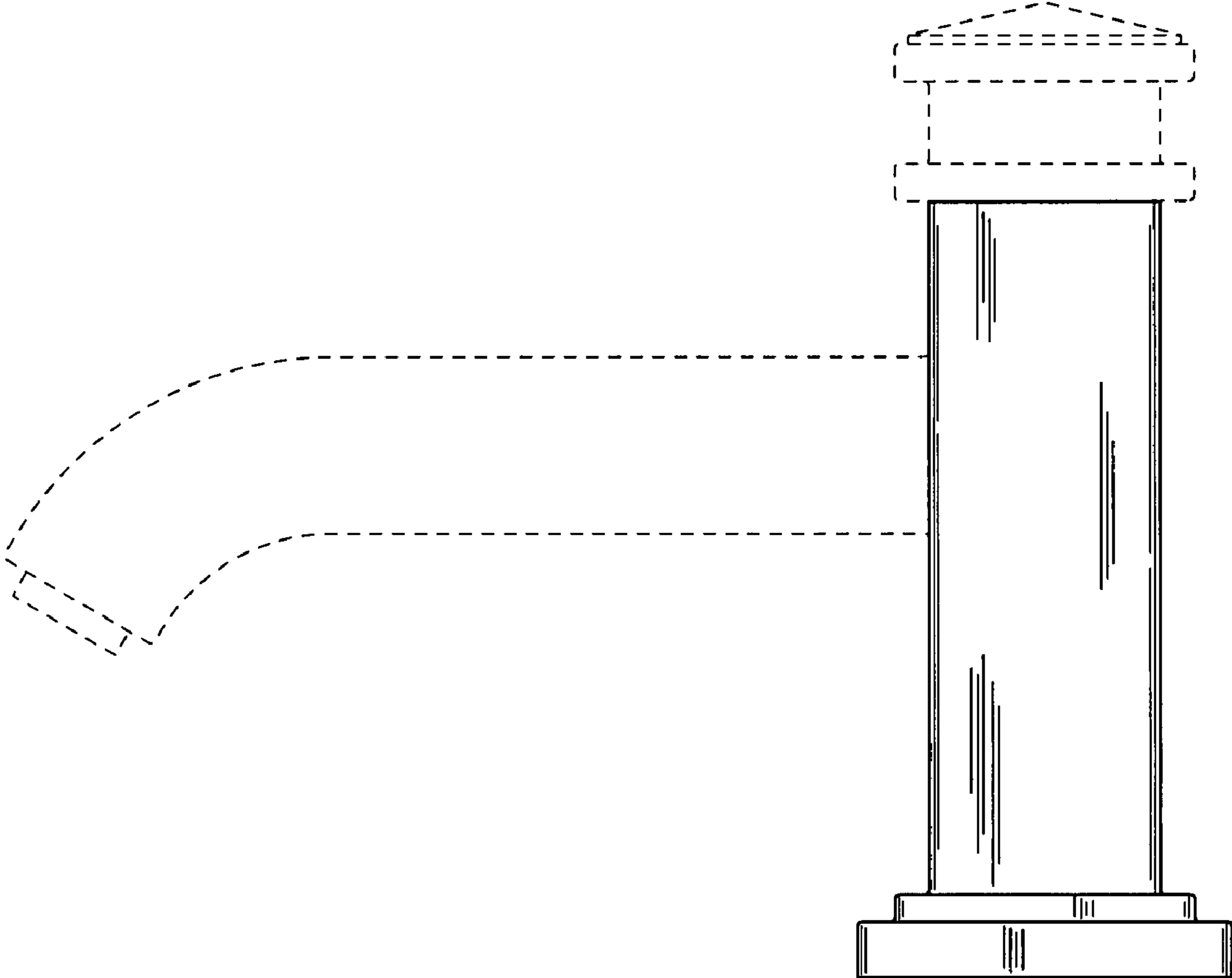


FIG. 13

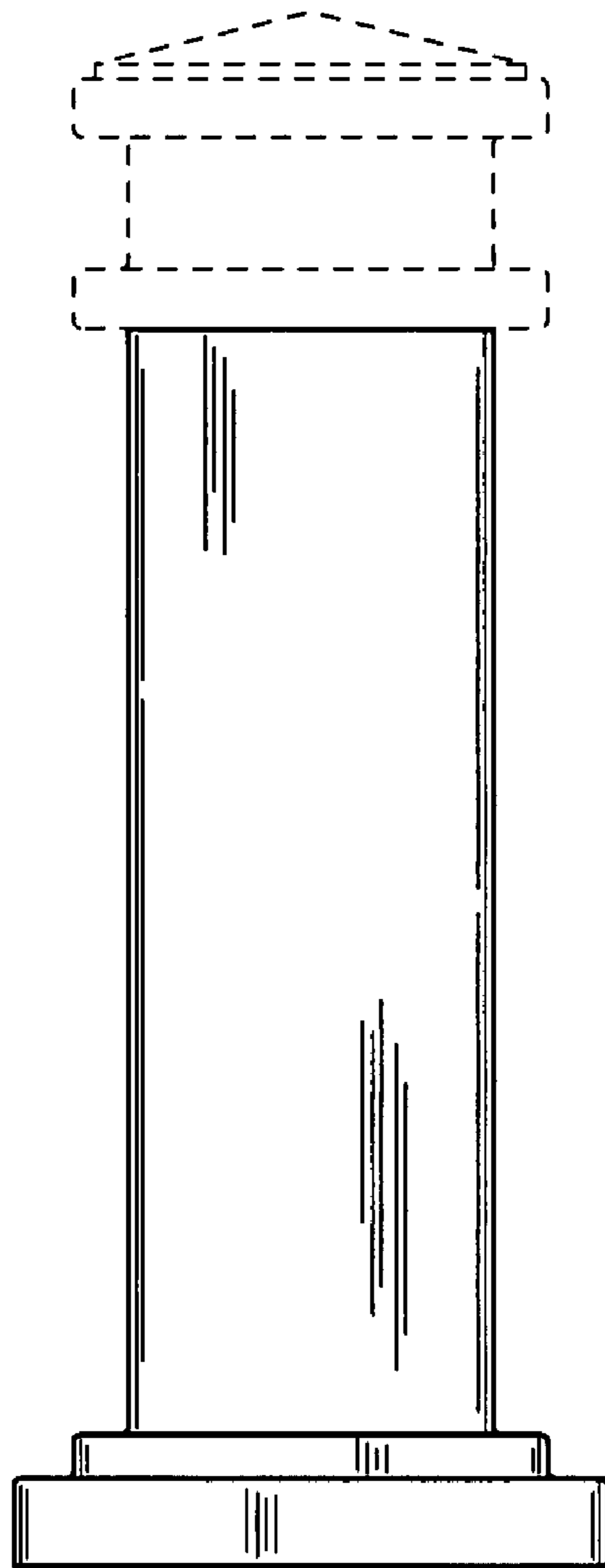


FIG. 14

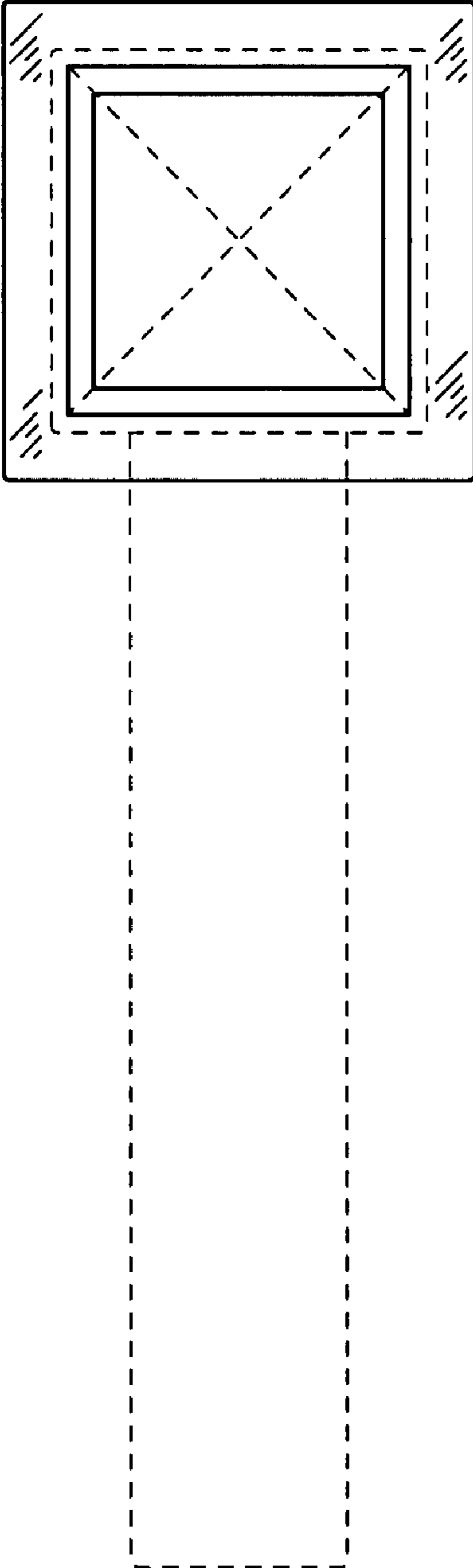


FIG. 15

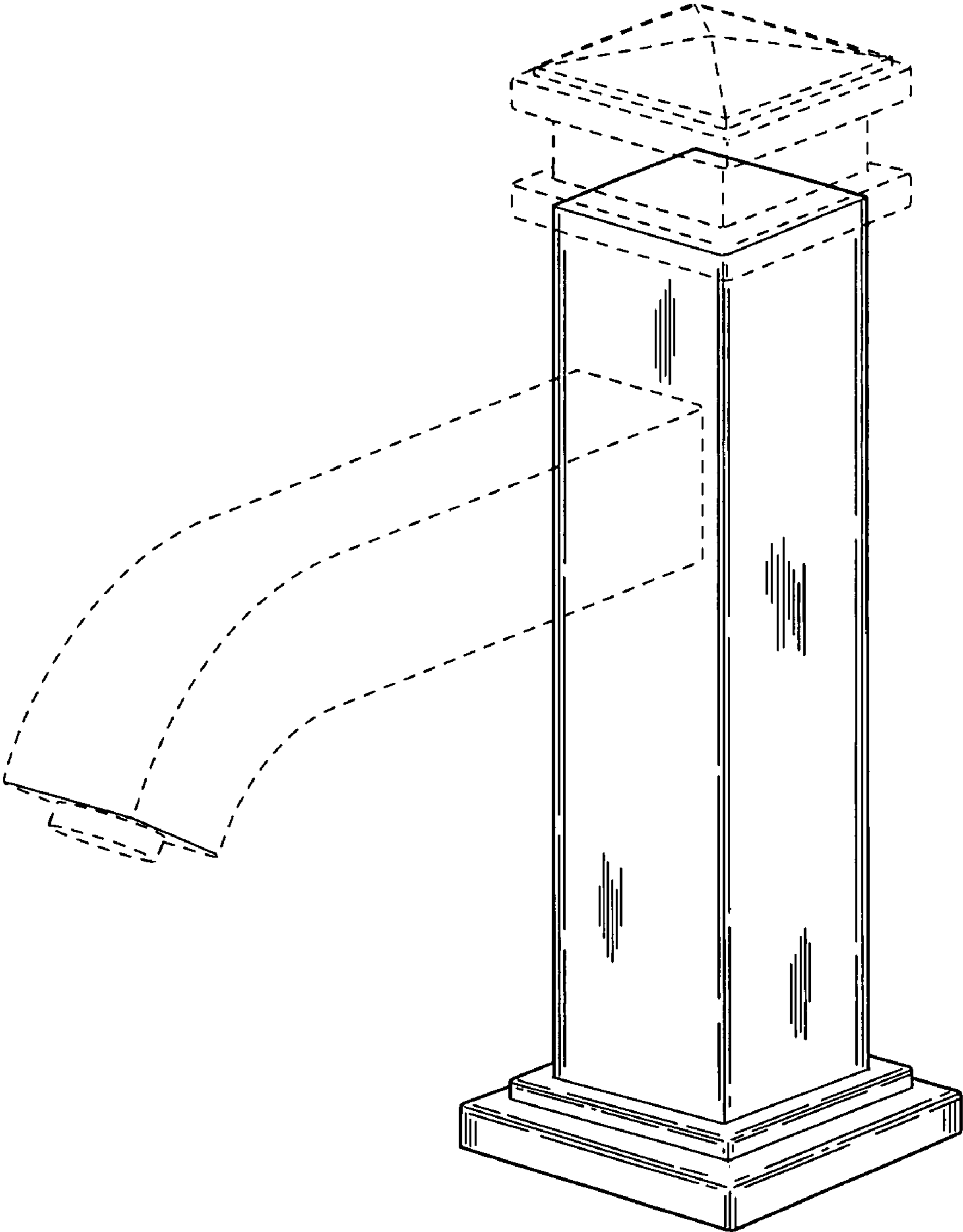


FIG. 16

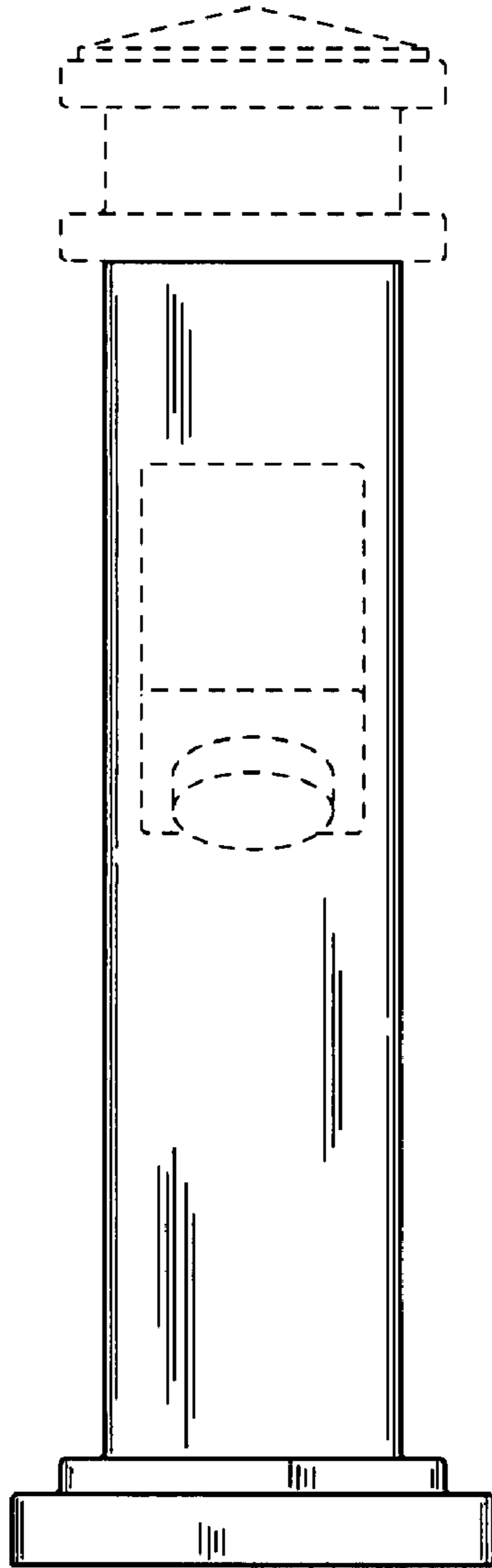


FIG. 17

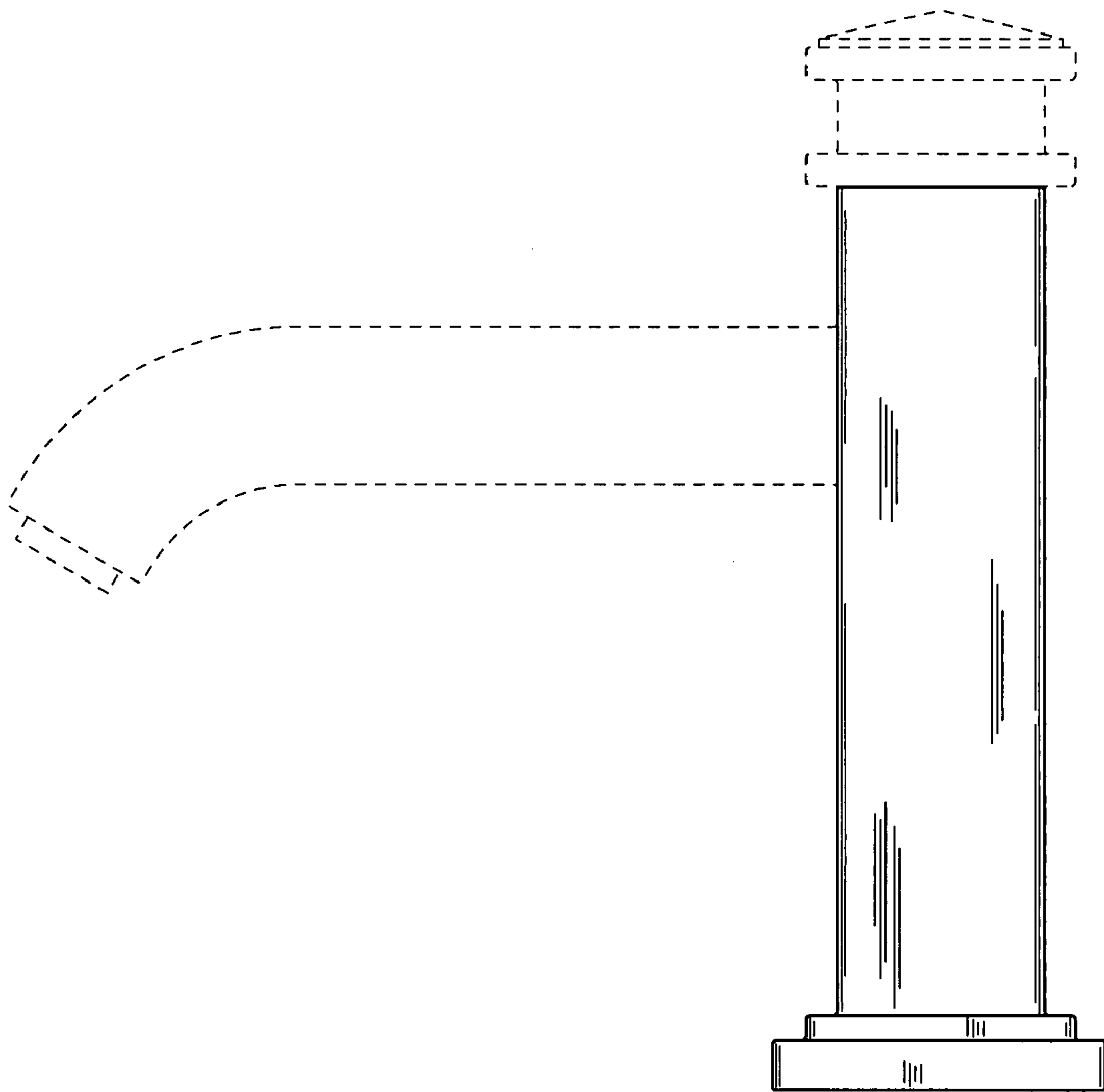


FIG. 18

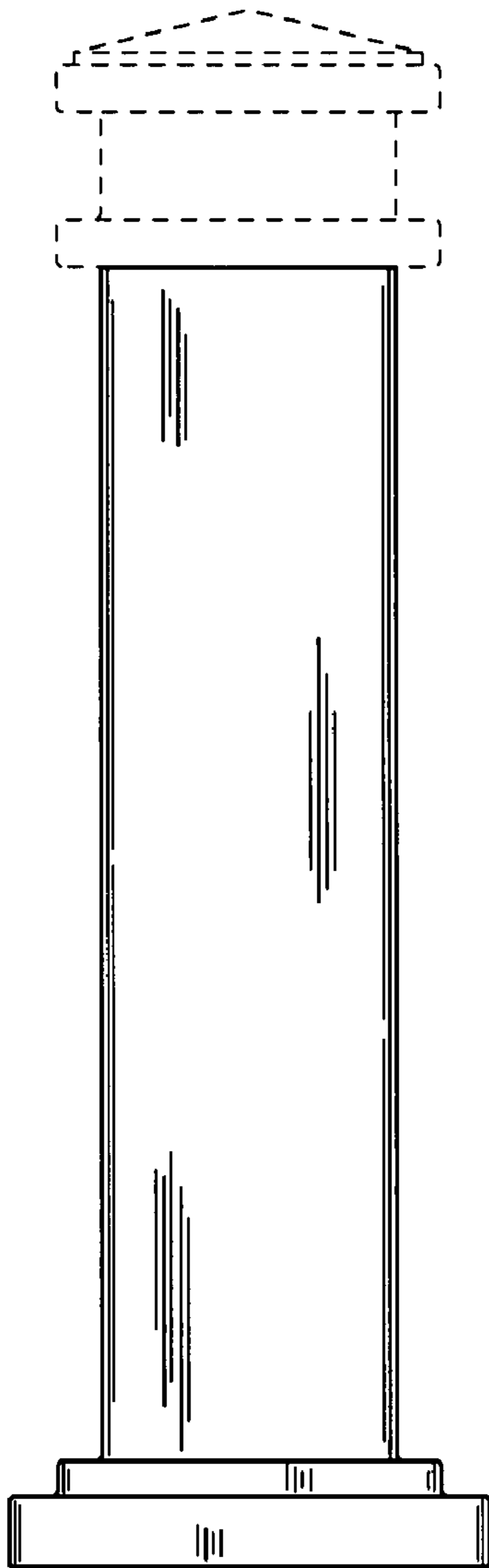


FIG. 19

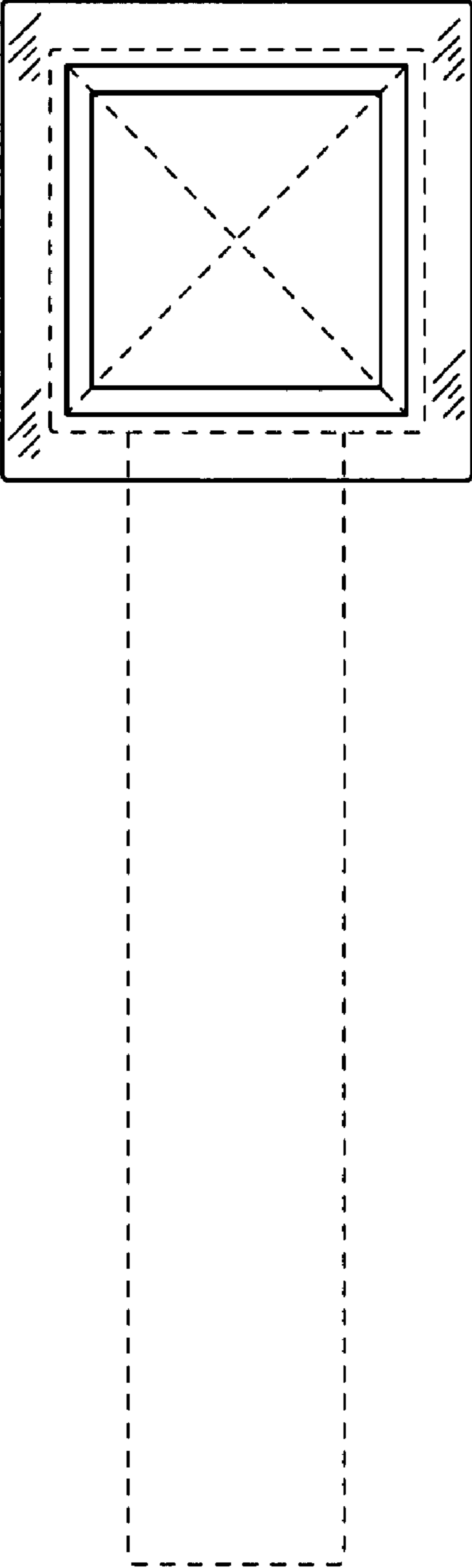


FIG. 20