



US00D581495S

(12) **United States Design Patent**  
**Yuan**

(10) **Patent No.:** **US D581,495 S**  
(45) **Date of Patent:** **\*\* Nov. 25, 2008**

(54) **FAUCET SPOUT**

(76) Inventor: **Ai Hui Yuan**, 2431 NW. Irving #24,  
Portland, OR (US) 97210

(\*\*) Term: **14 Years**

(21) Appl. No.: **29/289,278**

(22) Filed: **Jul. 13, 2007**

(51) **LOC (8) Cl.** ..... **23-01**

(52) **U.S. Cl.** ..... **D23/255**

(58) **Field of Classification Search** ..... D23/255-257,  
D23/238-243; 4/675-678; 137/801  
See application file for complete search history.

(56) **References Cited**

U.S. PATENT DOCUMENTS

- D462,749 S \* 9/2002 Lord ..... D23/255
- D472,607 S \* 4/2003 Warshawsky et al. .... D23/238
- D478,153 S \* 8/2003 Friedrich ..... D23/242
- D515,181 S \* 2/2006 Lun et al. .... D23/241

D565,156 S \* 3/2008 Shieh ..... D23/238

\* cited by examiner

*Primary Examiner*—Robert A Delehanty

(57) **CLAIM**

The ornamental design for a faucet spout, as shown and described.

**DESCRIPTION**

FIG. 1 is a perspective view thereof;  
 FIG. 2 is a front elevational view thereof;  
 FIG. 3 is a right side view, the left being a mirror image;  
 FIG. 4 is a back plan view;  
 FIG. 5 is a top plan view thereof; and,  
 FIG. 6 is a bottom plan view thereof.

The broken line showing of environmental structure is for illustrative purposes only and forms no part of the claimed design.

**1 Claim, 6 Drawing Sheets**



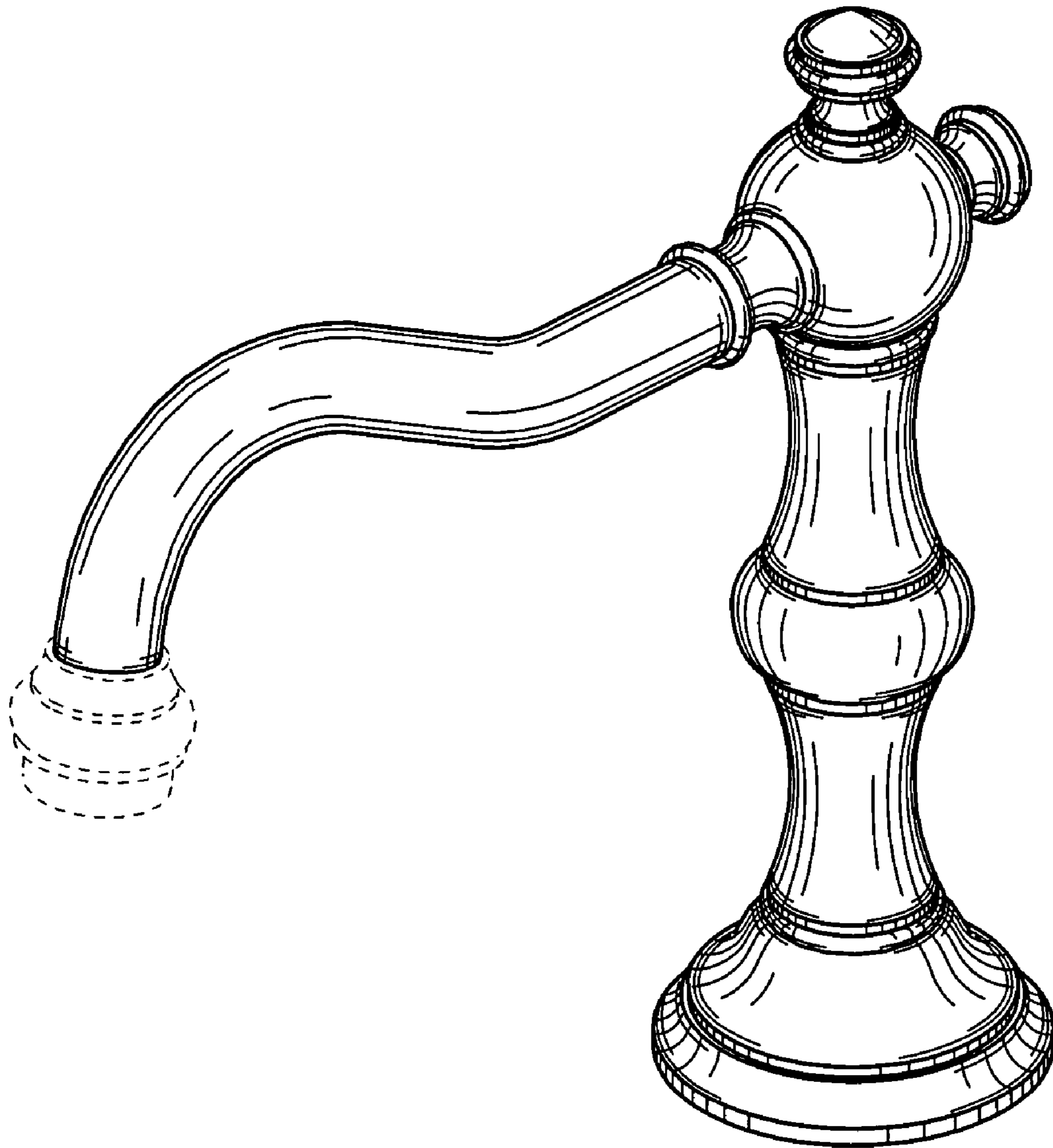


FIG. 1

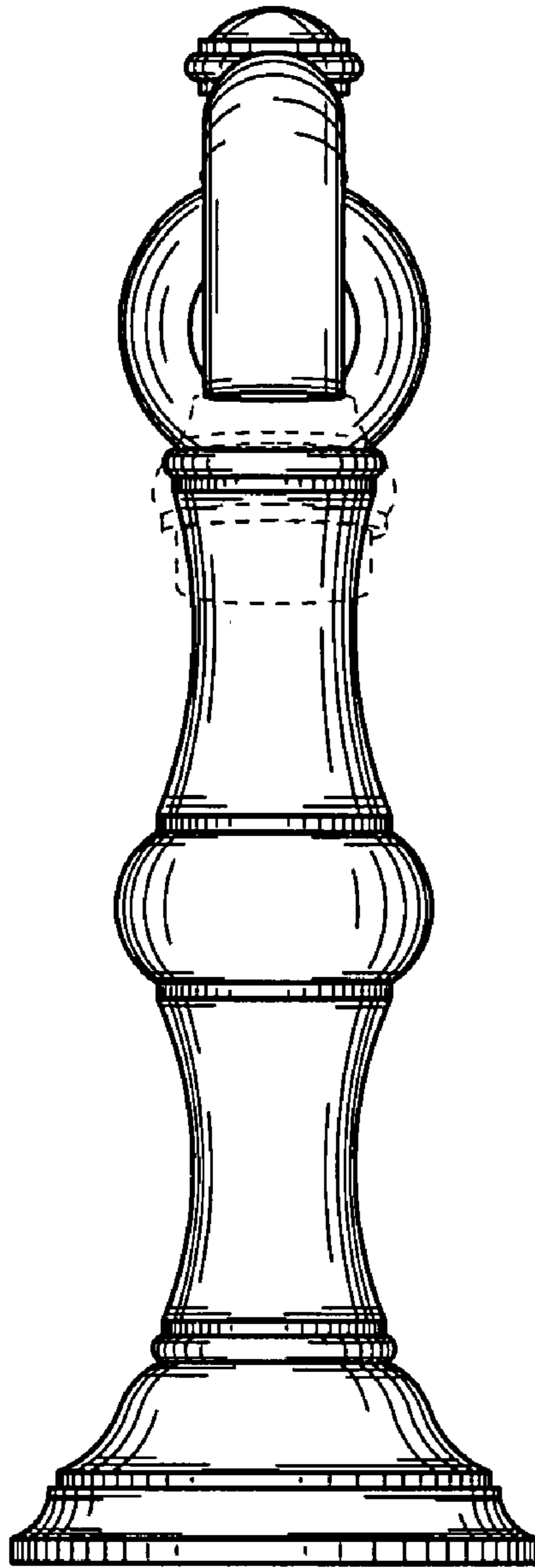


FIG. 2

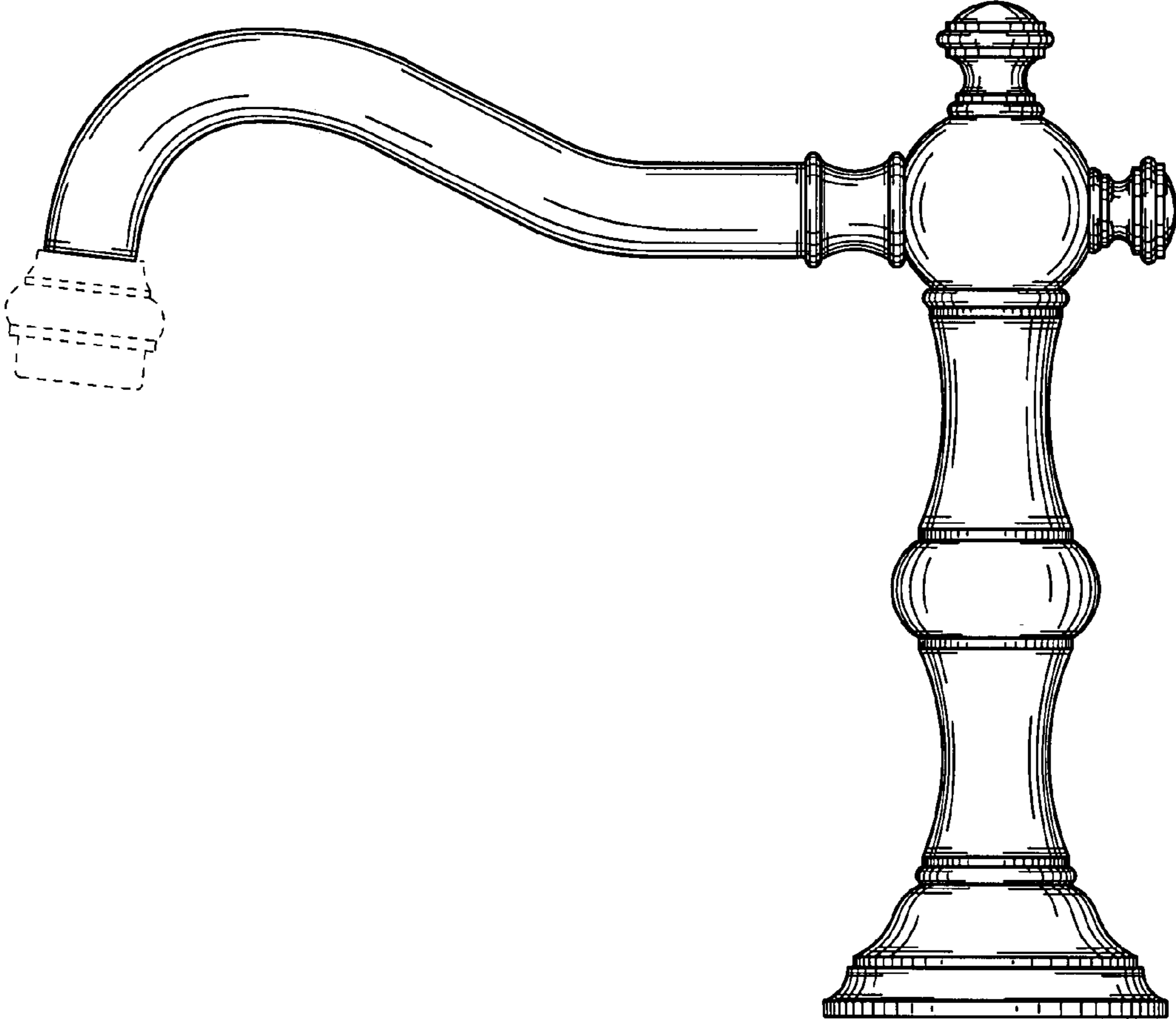
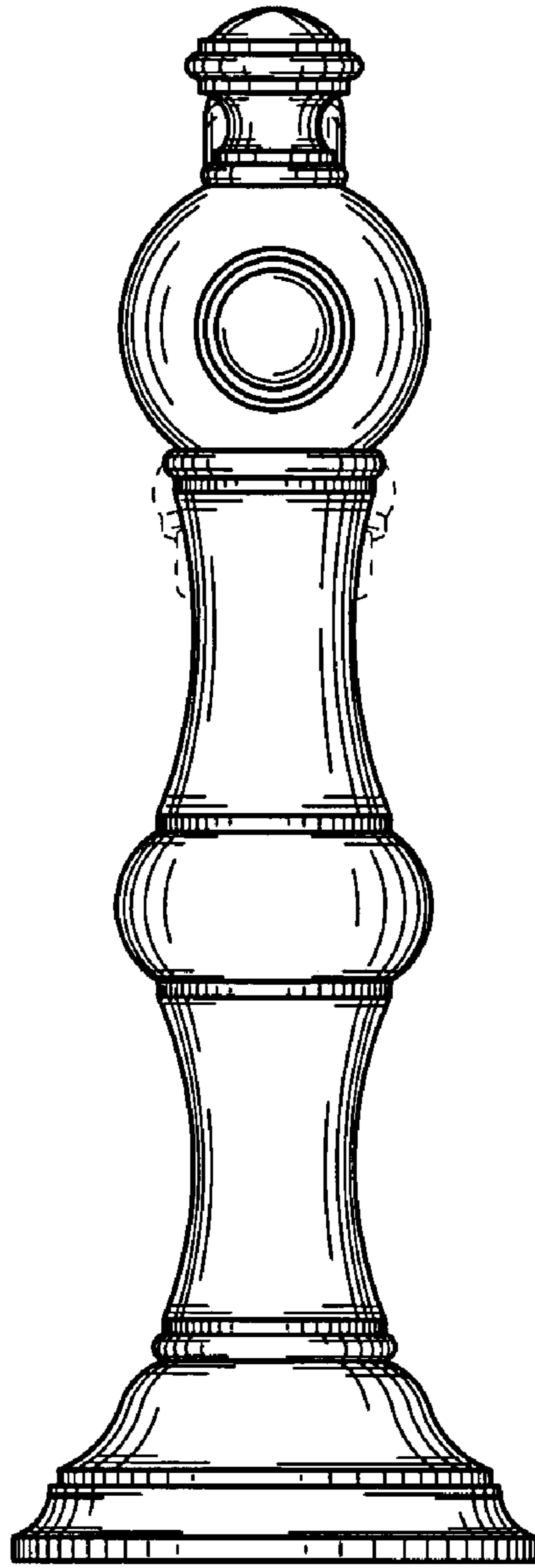


FIG. 3



**FIG. 4**

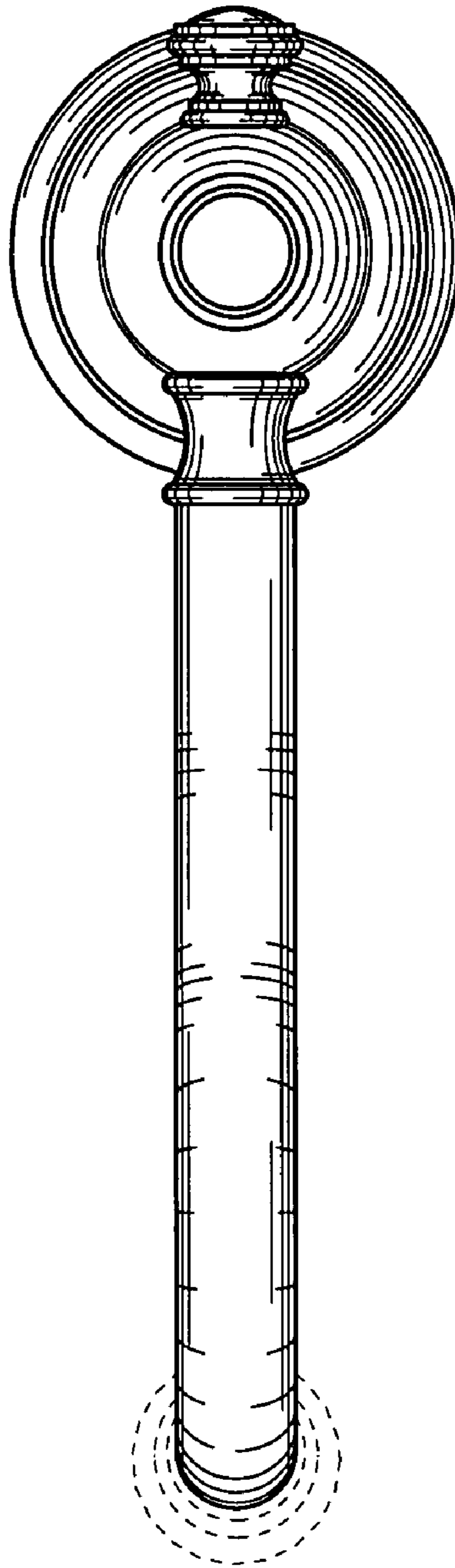


FIG. 5

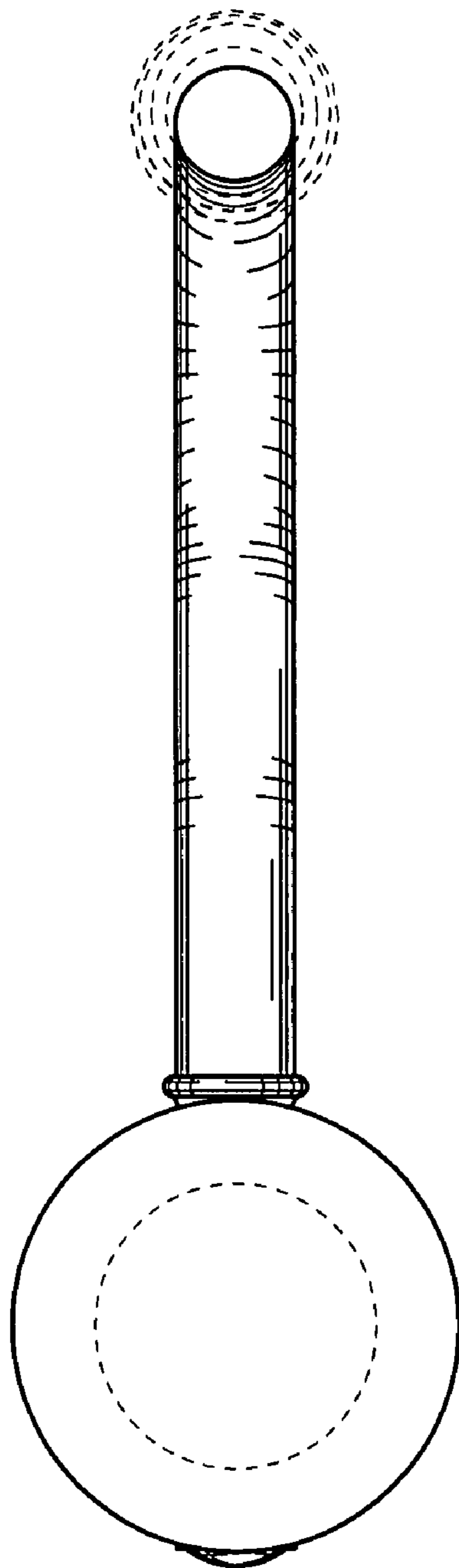


FIG. 6