



US00D581493S

(12) **United States Design Patent**  
**Gilbert**

(10) **Patent No.:** **US D581,493 S**

(45) **Date of Patent:** **\*\* Nov. 25, 2008**

(54) **SPOUT**

(75) **Inventor:** **Christopher Jon Gilbert**, Moreland Hills, OH (US)

(73) **Assignee:** **Moen Incorporated**, North Olmsted, OH (US)

(\*\*) **Term:** **14 Years**

(21) **Appl. No.:** **29/286,666**

(22) **Filed:** **May 15, 2007**

(51) **LOC (8) Cl.** ..... **23-01**

(52) **U.S. Cl.** ..... **D23/255**

(58) **Field of Classification Search** ..... D23/255-257, D23/238-243; 4/675-678; 137/801  
See application file for complete search history.

(56) **References Cited**

**U.S. PATENT DOCUMENTS**

D33,860 S	1/1901	Glauber
D76,713 S	10/1928	Smith
D87,829 S	9/1932	Ferguson
D92,480 S	6/1934	Loewy
D140,557 S	3/1945	Stanitz
D162,273 S	2/1951	Young
D280,543 S	9/1985	Paul

D285,597 S	9/1986	Miller et al.
D287,395 S	12/1986	Piesco
D520,607 S *	5/2006	Koury et al. .... D23/255
D535,723 S *	1/2007	Veltz ..... D23/238
D564,270 S *	3/2008	Gilbert ..... D6/524

\* cited by examiner

*Primary Examiner*—Robert A Delehanty

(74) *Attorney, Agent, or Firm*—Calfee, Halter & Griswold LLP

(57) **CLAIM**

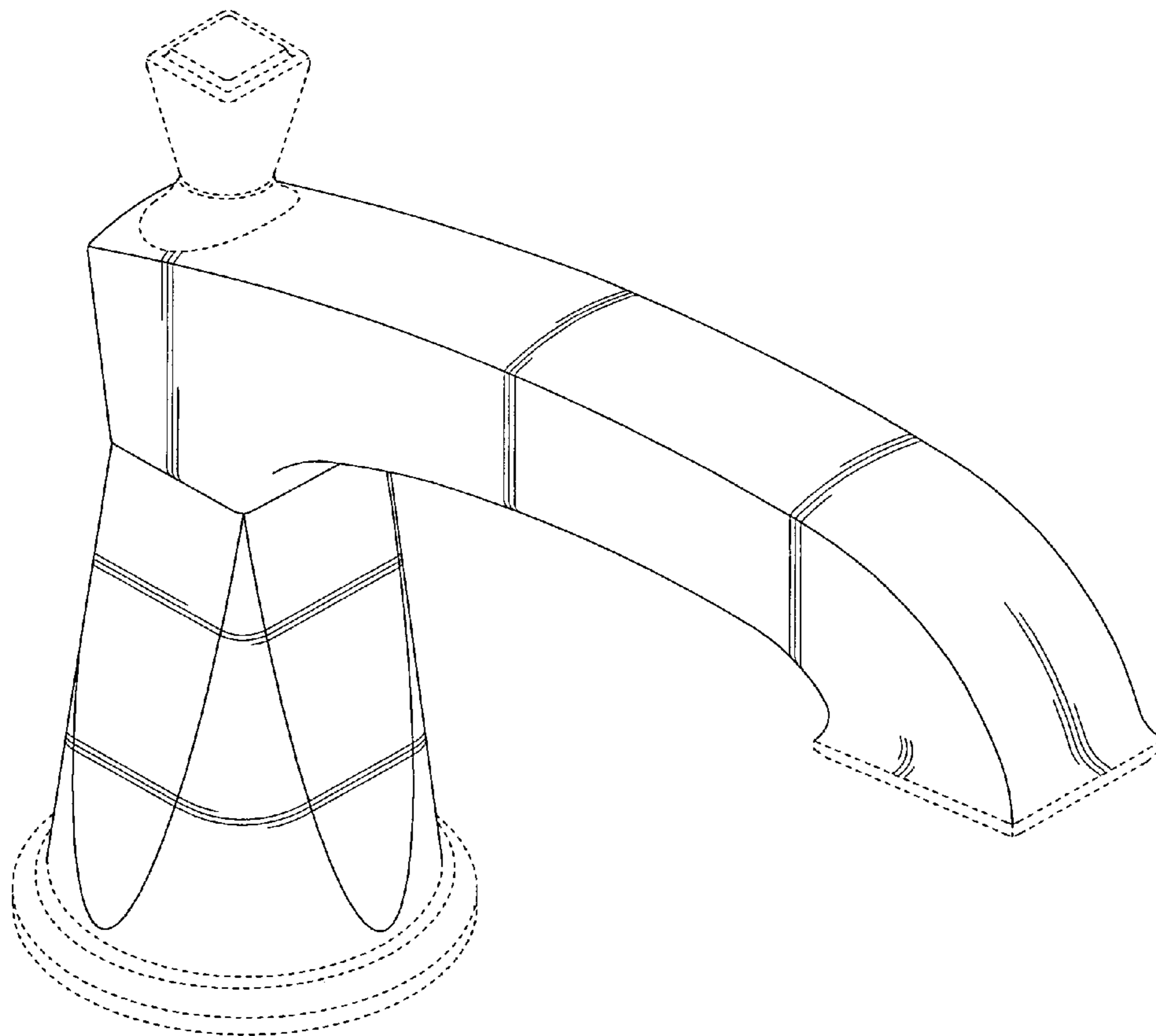
The ornamental design for a spout, as shown and described.

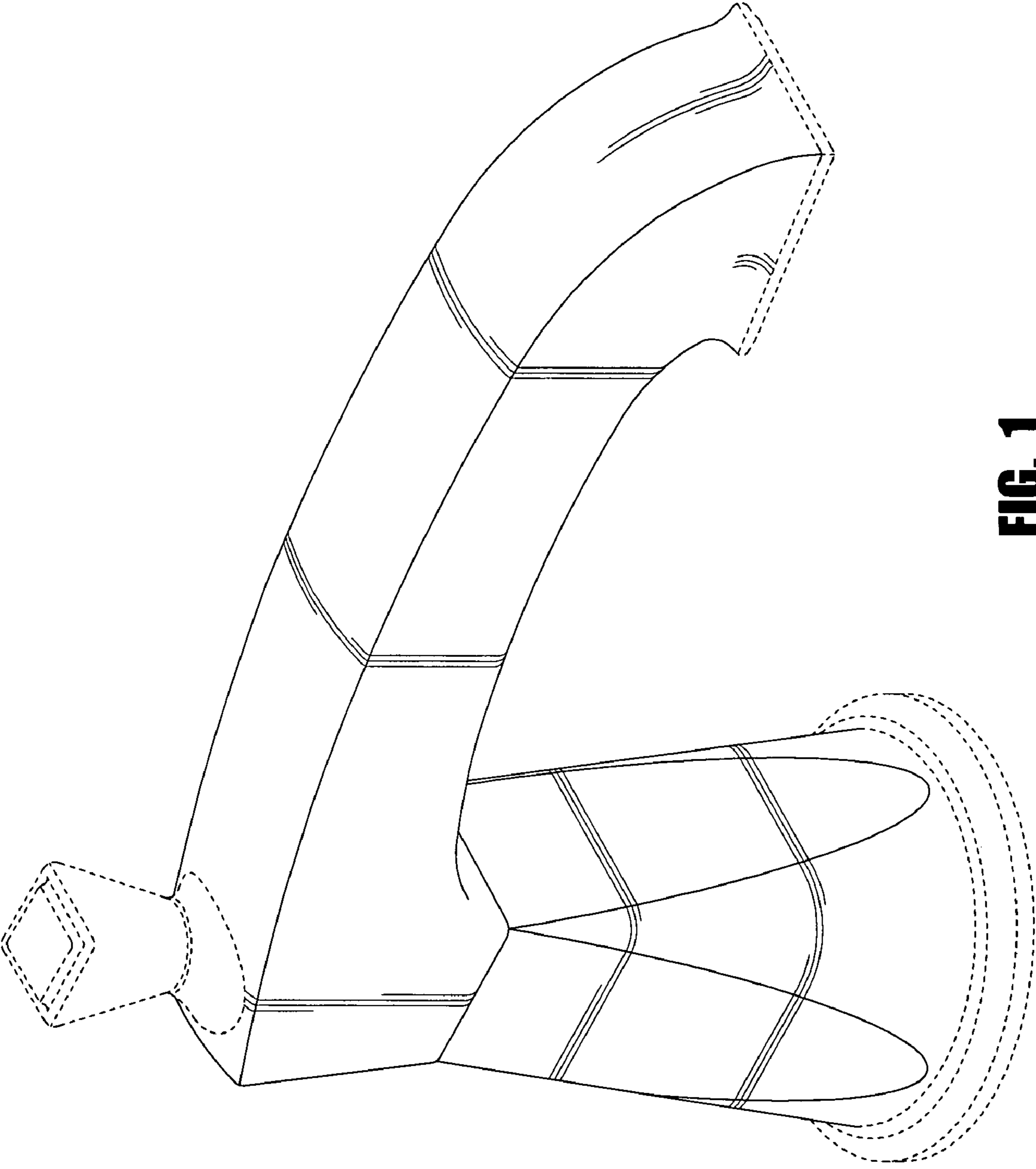
**DESCRIPTION**

FIG. 1 is a perspective view of a spout of the new design; FIG. 2 is a front elevational view of the spout of FIG. 1; FIG. 3 is a rear elevational view of the spout of FIG. 1; FIG. 4 is a left side elevational view of the spout of FIG. 1; FIG. 5 is a right side elevational view of the spout of FIG. 1; FIG. 6 is a top plan view of the spout of FIG. 1; and, FIG. 7 is a bottom plan view of the spout of FIG. 1.

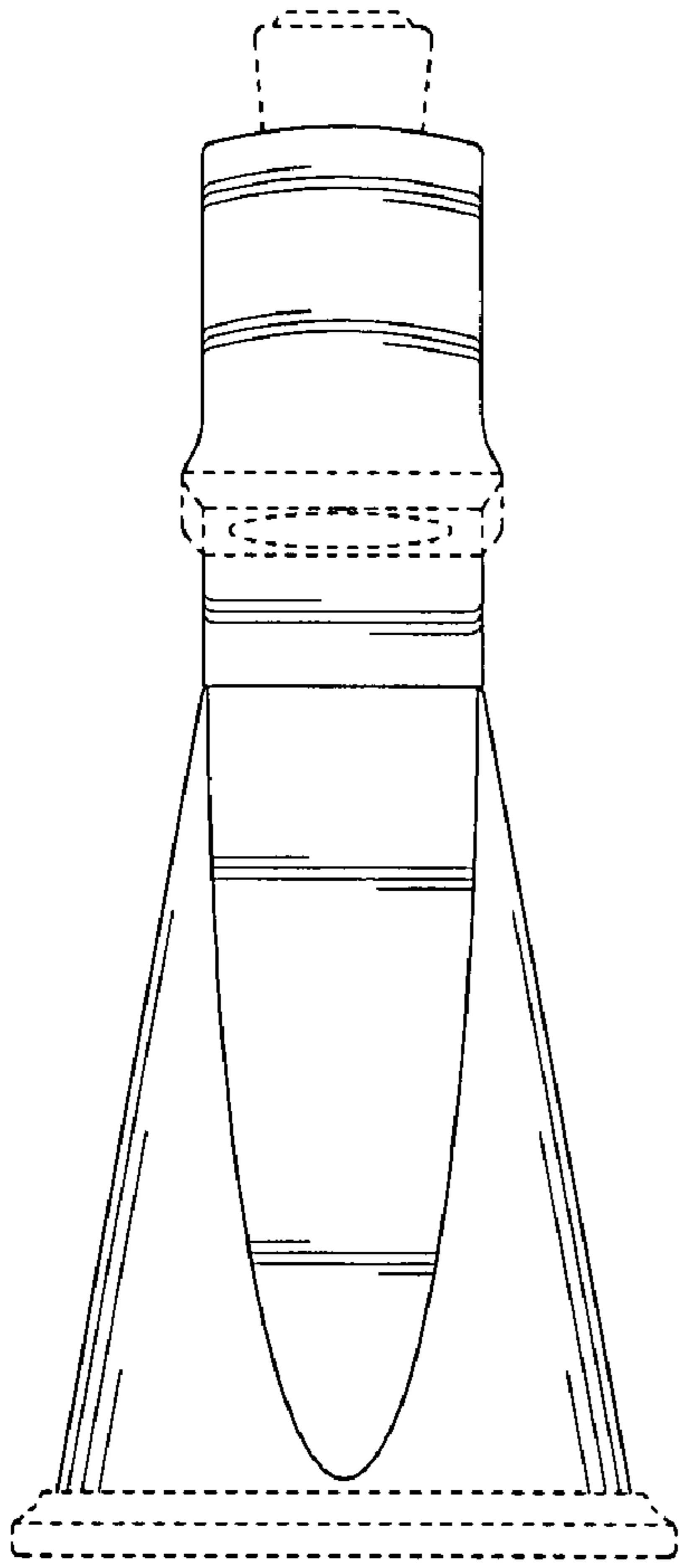
The portions of the Figures shown in broken lines are not part of the claimed design and are for illustration only.

**1 Claim, 4 Drawing Sheets**

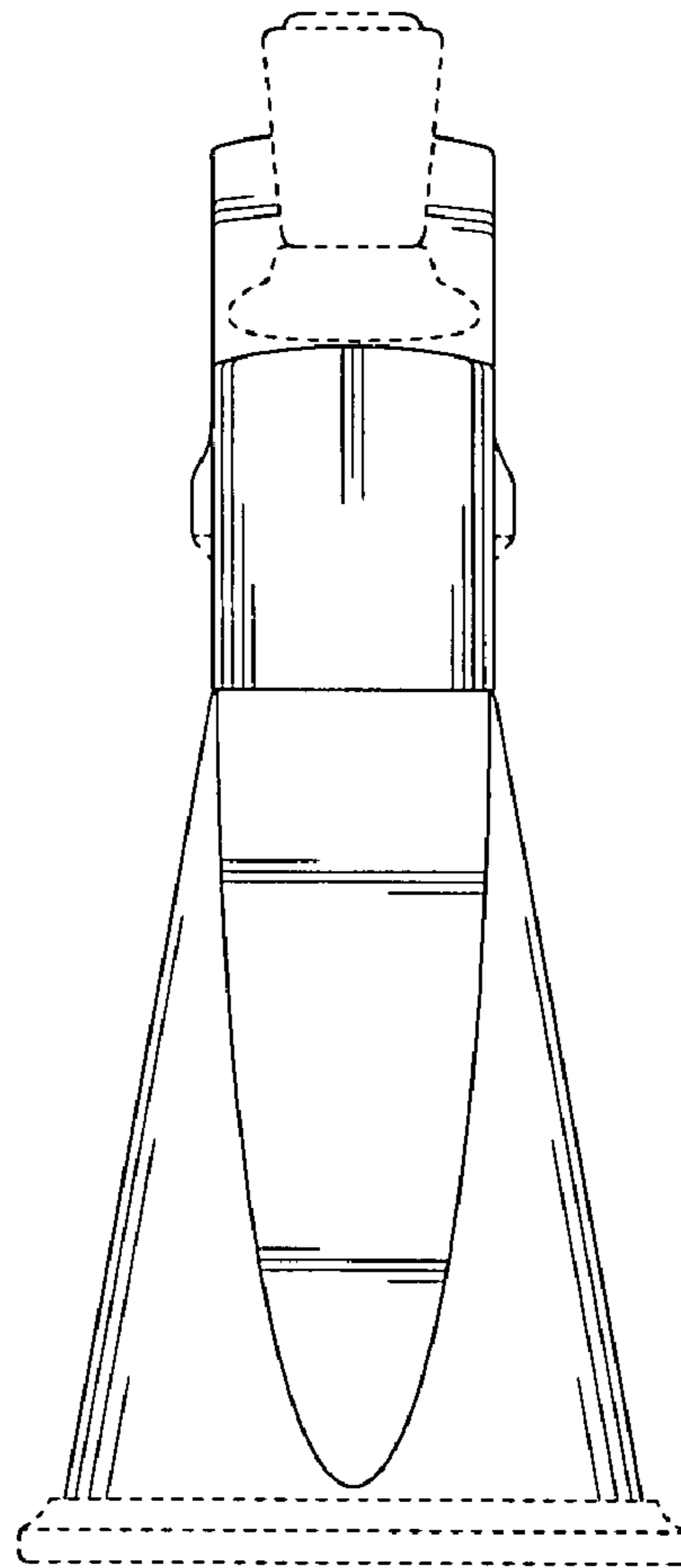




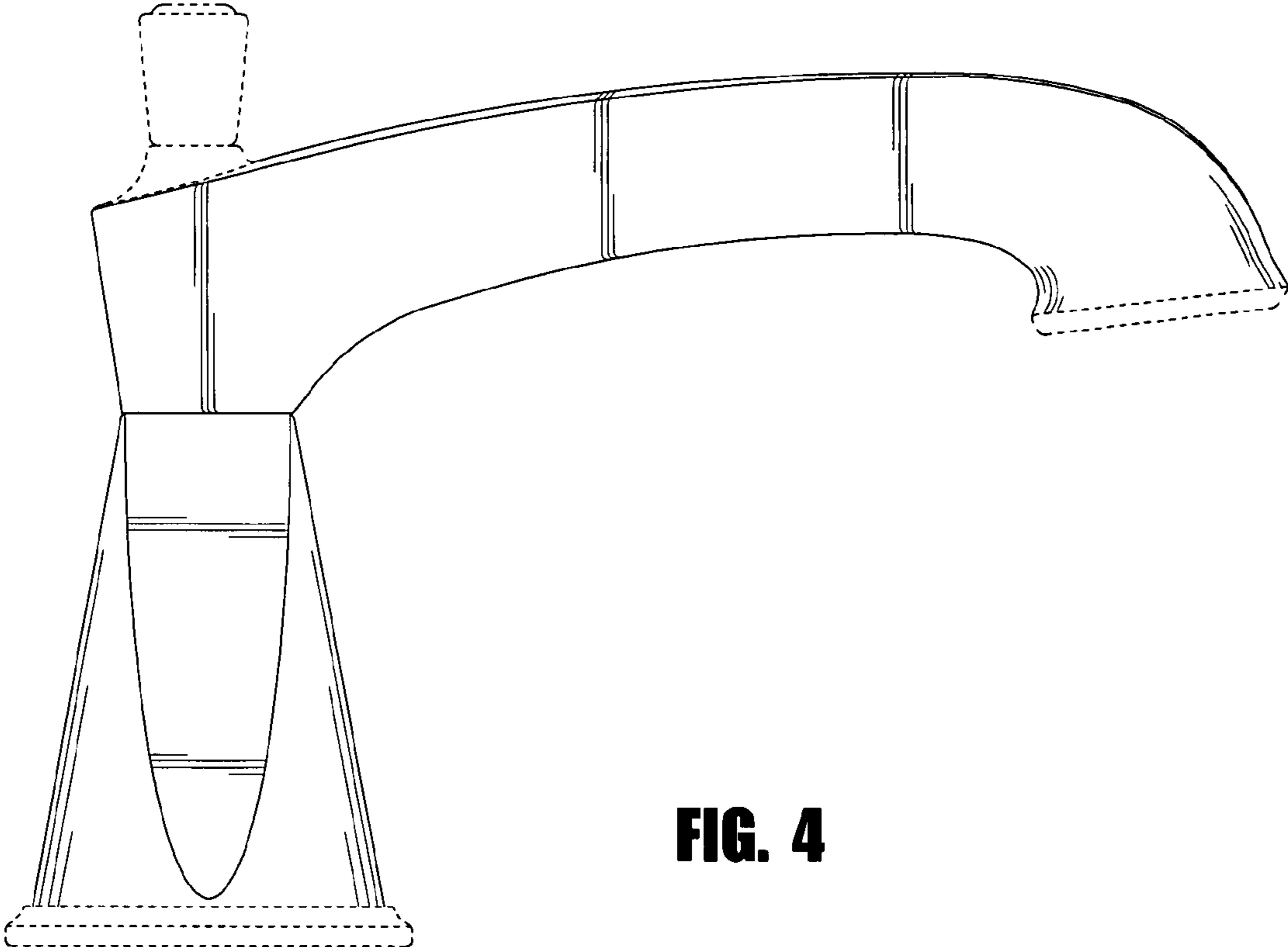
**FIG. 1**



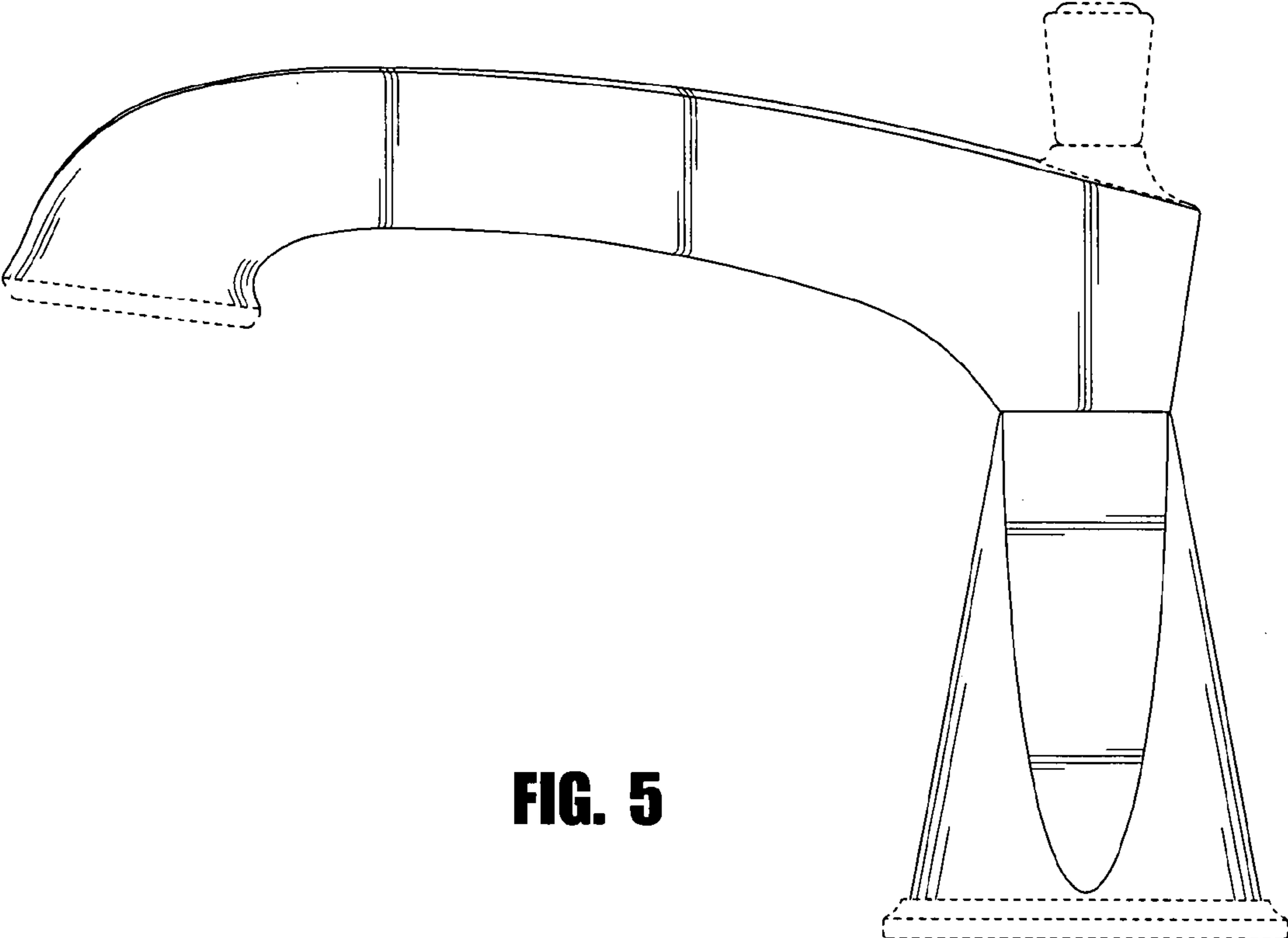
**FIG. 2**



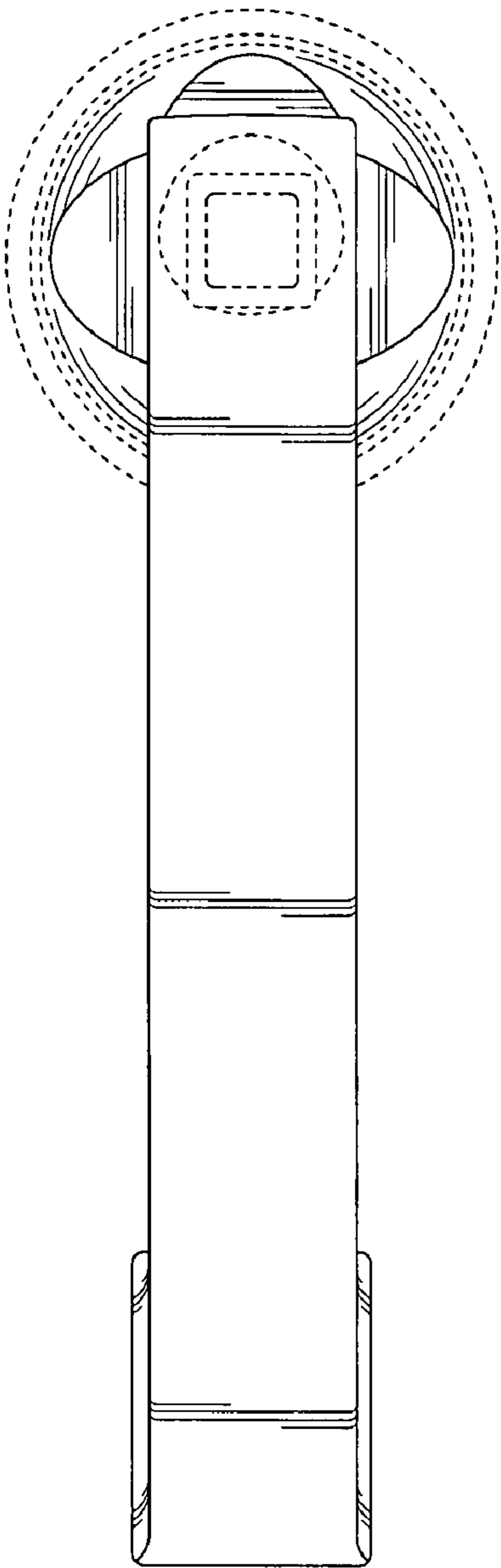
**FIG. 3**



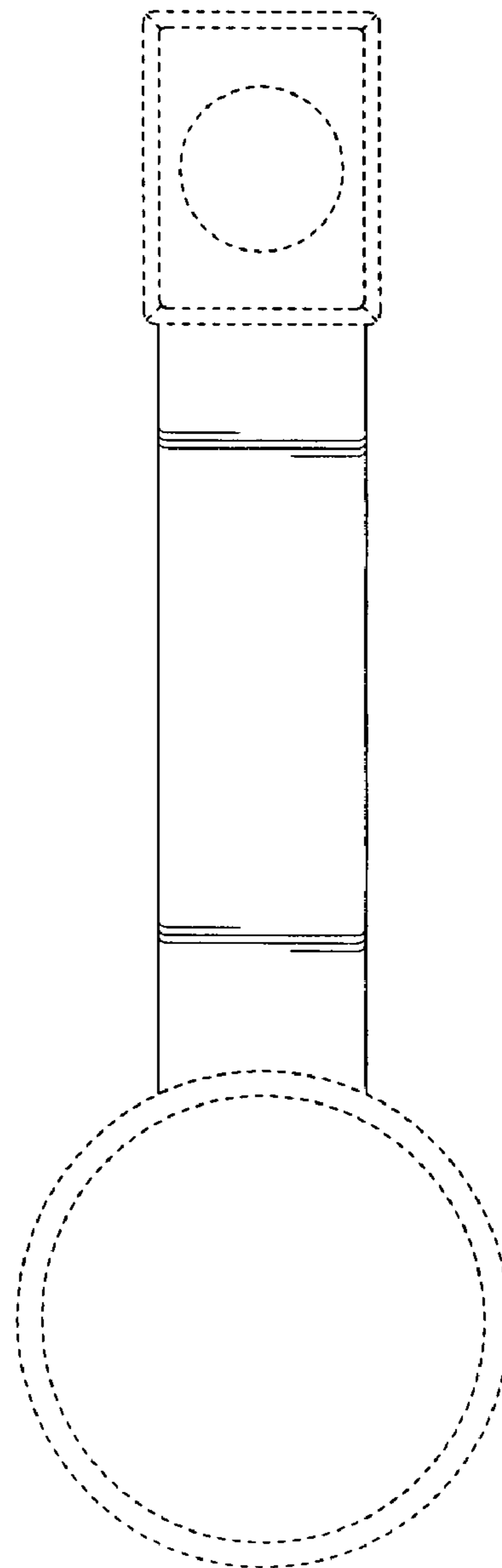
**FIG. 4**



**FIG. 5**



**FIG. 6**



**FIG. 7**