



US00D581491S

(12) **United States Design Patent**
Yuan

(10) **Patent No.:** **US D581,491 S**

(45) **Date of Patent:** **** Nov. 25, 2008**

(54) **PART OF A FAUCET**

D570,454 S * 6/2008 Dolan D23/250

(76) Inventor: **Ai Hui Yuan**, 2431 NW. Irving, #24,
Portland, OR (US) 97210

* cited by examiner

Primary Examiner—Robin V Webster

(**) Term: **14 Years**

(57) **CLAIM**

(21) Appl. No.: **29/289,699**

The ornamental design for a part of a faucet, as shown and described.

(22) Filed: **Jul. 26, 2007**

(51) **LOC (8) Cl.** **23-01**

(52) **U.S. Cl.** **D23/254**

(58) **Field of Classification Search** D23/250,
D23/249, 252, 254, 238, 242; D8/300, 307,
D8/308; 4/675-677; 16/110.1

See application file for complete search history.

DESCRIPTION

FIG. 1 is a perspective view thereof;

FIG. 2 is a front elevational view thereof;

FIG. 3 is a right side view, the left side view being identical;
and,

FIG. 4 is a top view thereof.

The broken lines showing of environmental structure are for illustrative purposes only and form no part of the claimed design.

(56) **References Cited**

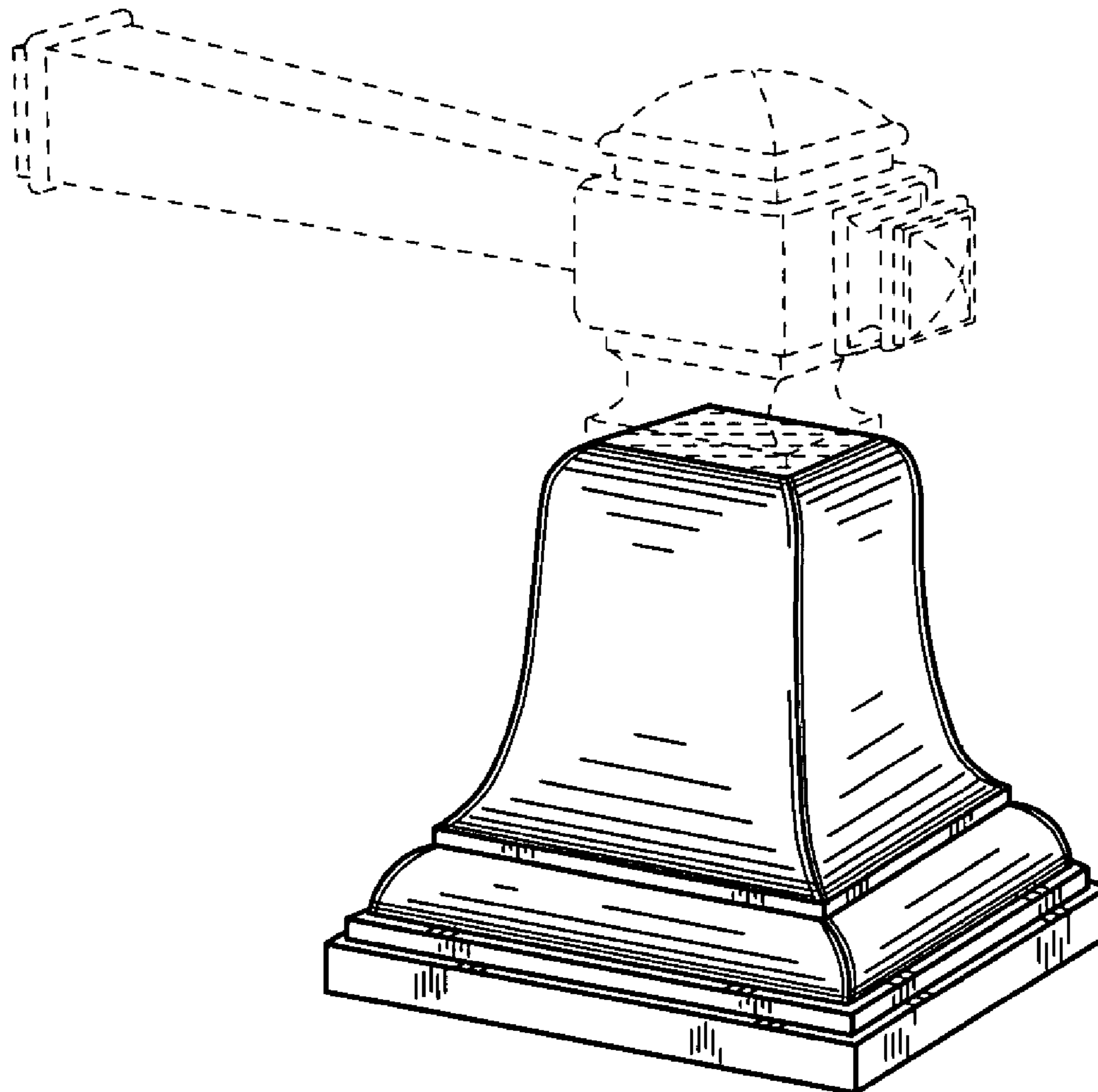
U.S. PATENT DOCUMENTS

D503,967 S * 4/2005 Otero D23/252

D563,525 S * 3/2008 Zhu D23/242

D569,953 S * 5/2008 Dolan D23/250

1 Claim, 4 Drawing Sheets



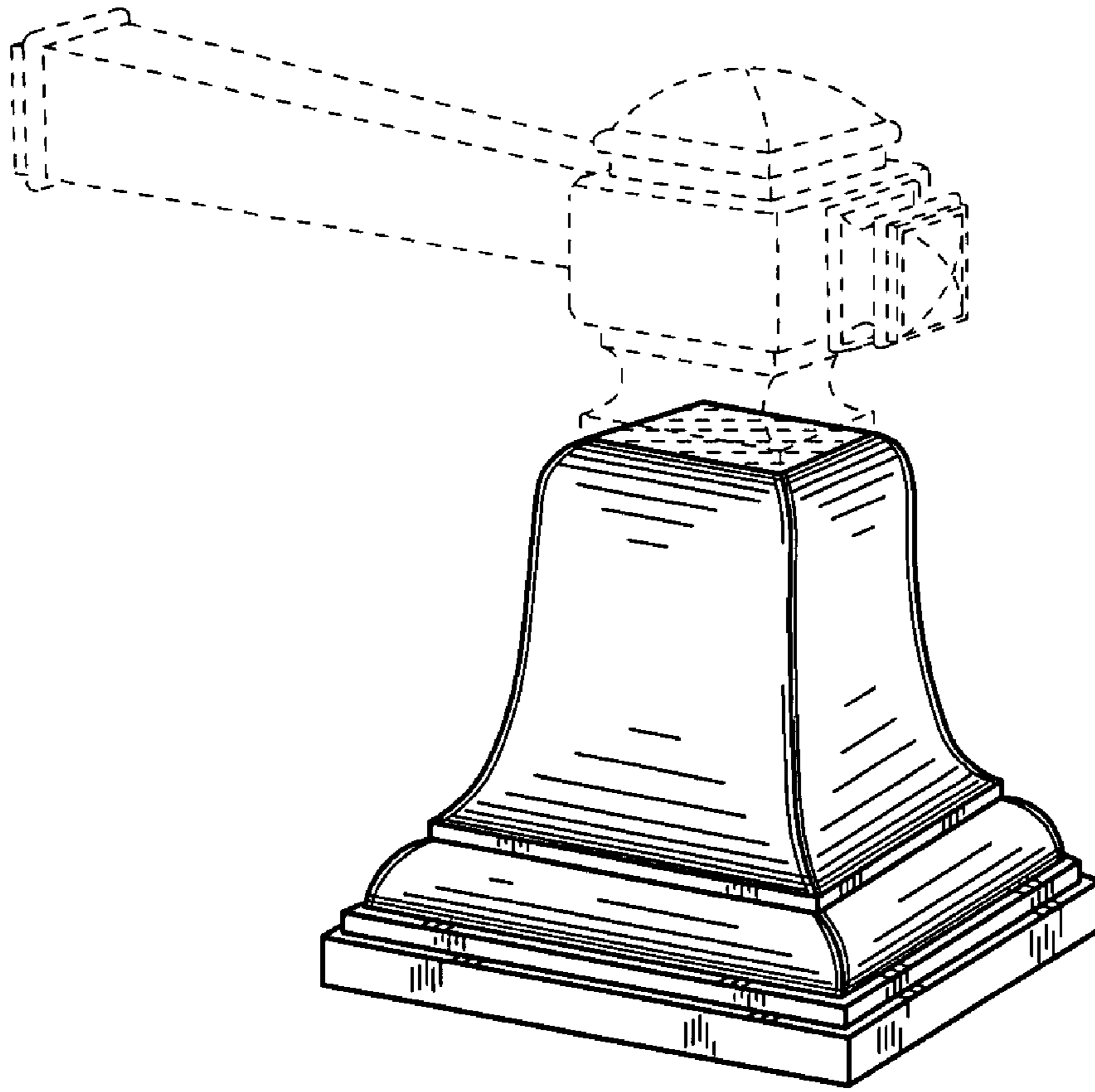


FIG. 1

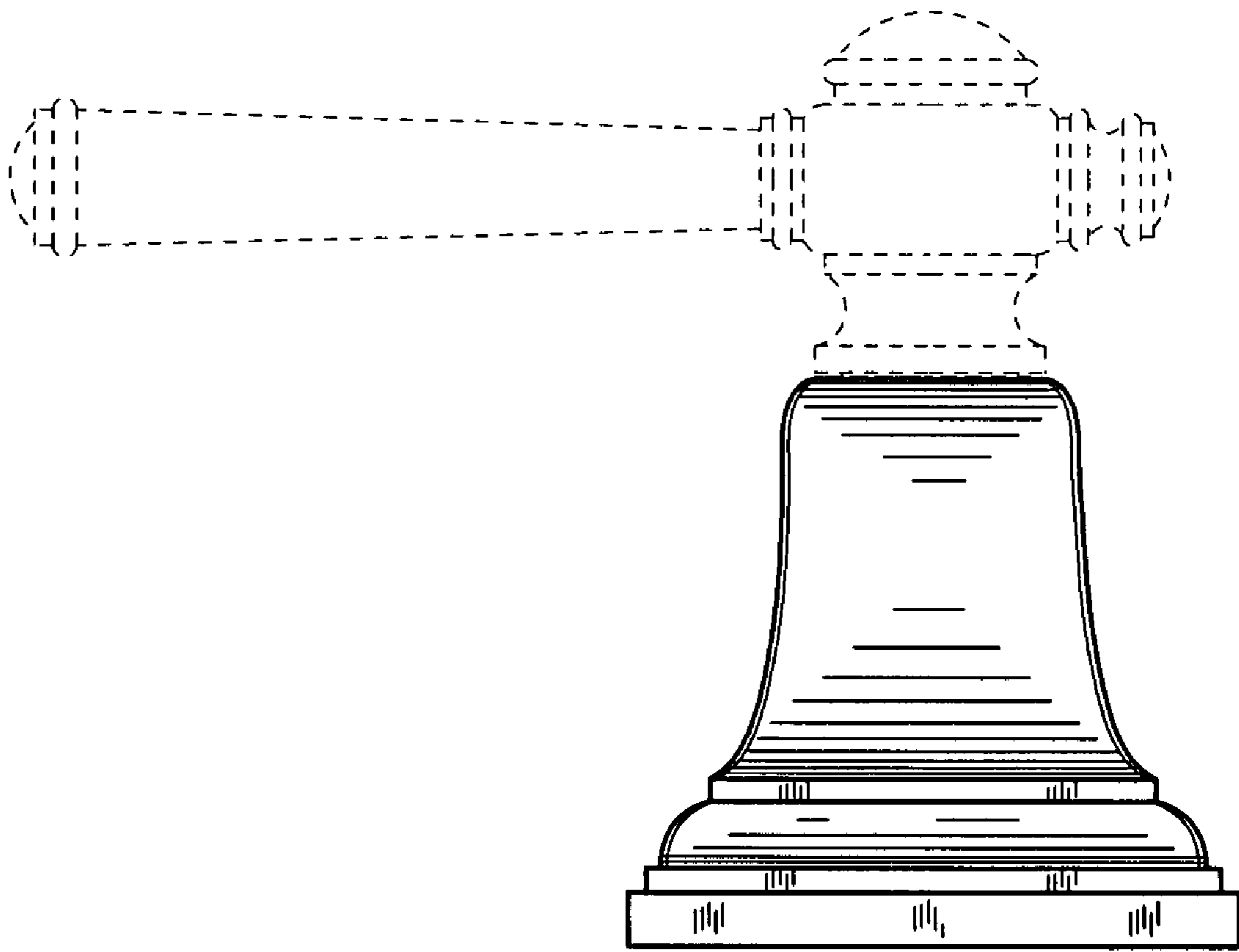


FIG. 2

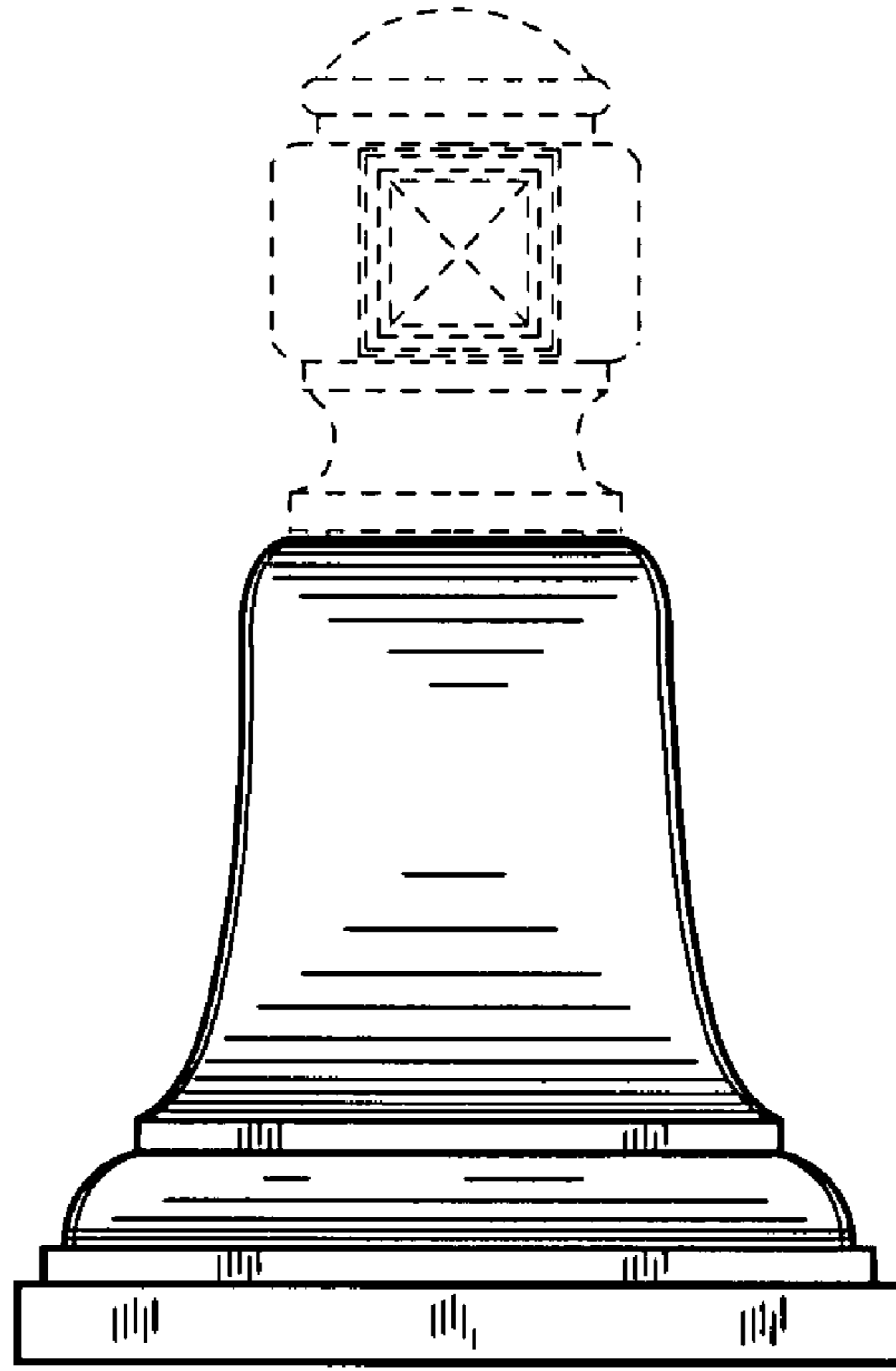


FIG. 3

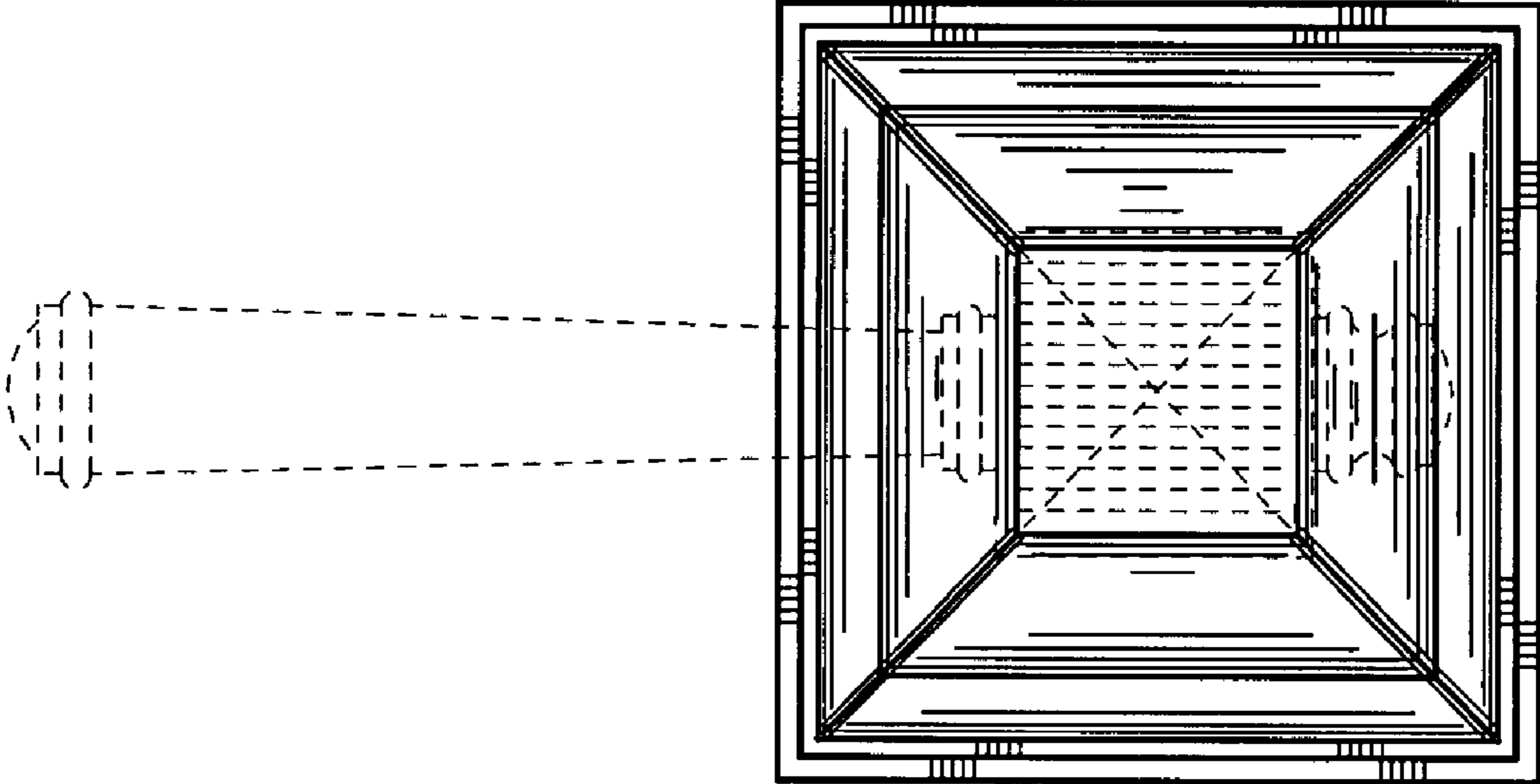


FIG. 4