



US00D581490S

(12) **United States Design Patent**
Painter

(10) **Patent No.:** **US D581,490 S**

(45) **Date of Patent:** **** Nov. 25, 2008**

(54) **HANDLE**

(75) Inventor: **Michael Painter**, Columbus, OH (US)

(73) Assignee: **Globe Union Industrial Corp.**,
Taichung (TW)

(**) Term: **14 Years**

(21) Appl. No.: **29/281,108**

(22) Filed: **Jun. 15, 2007**

(51) **LOC (8) Cl.** **23-01**

(52) **U.S. Cl.** **D23/254**

(58) **Field of Classification Search** D23/250,
D23/249, 252, 254, 238, 242; D8/300, 307,
D8/308; 4/675-677; 16/110.1
See application file for complete search history.

(56) **References Cited**

U.S. PATENT DOCUMENTS

D413,655 S * 9/1999 Gottwald D23/254
D428,119 S * 7/2000 Fiegl et al. D23/254

D437,632 S * 2/2001 Fleischmann D23/254
D441,846 S * 5/2001 Mullenmeister D23/254
D477,058 S * 7/2003 Panis et al. D23/254
D480,452 S * 10/2003 Marshall D23/254

* cited by examiner

Primary Examiner—Robin V Webster

(74) *Attorney, Agent, or Firm*—Leong C. Lei

(57) **CLAIM**

The ornamental design for a handle, as shown and described.

DESCRIPTION

FIG. 1 is a perspective view of a handle showing my new design;

FIG. 2 is a front elevational view thereof;

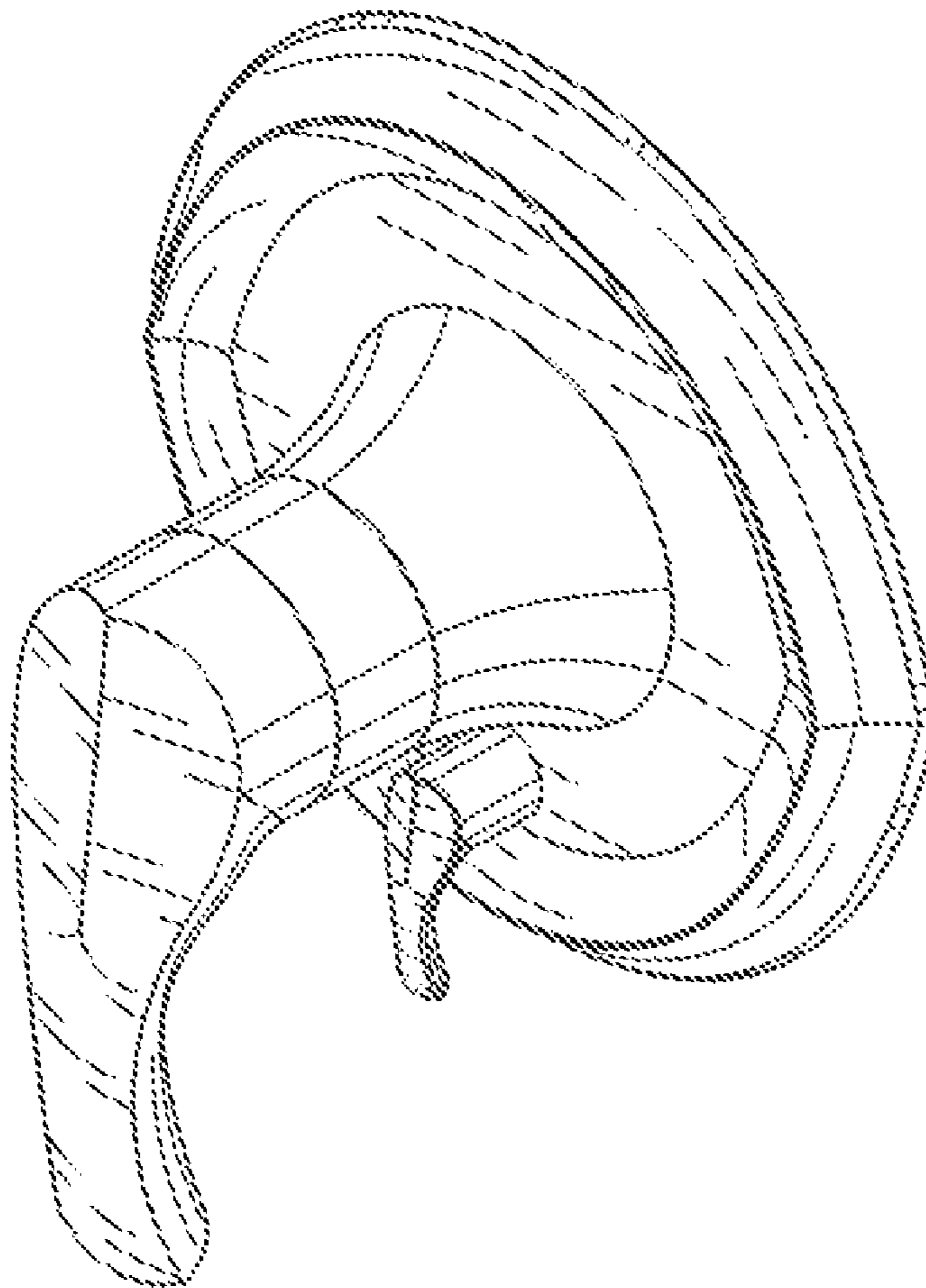
FIG. 3 is a right side elevational view thereof;

FIG. 4 is a left side elevational view thereof;

FIG. 5 is a bottom plan view thereof; and,

FIG. 6 is a top plan view thereof.

1 Claim, 6 Drawing Sheets



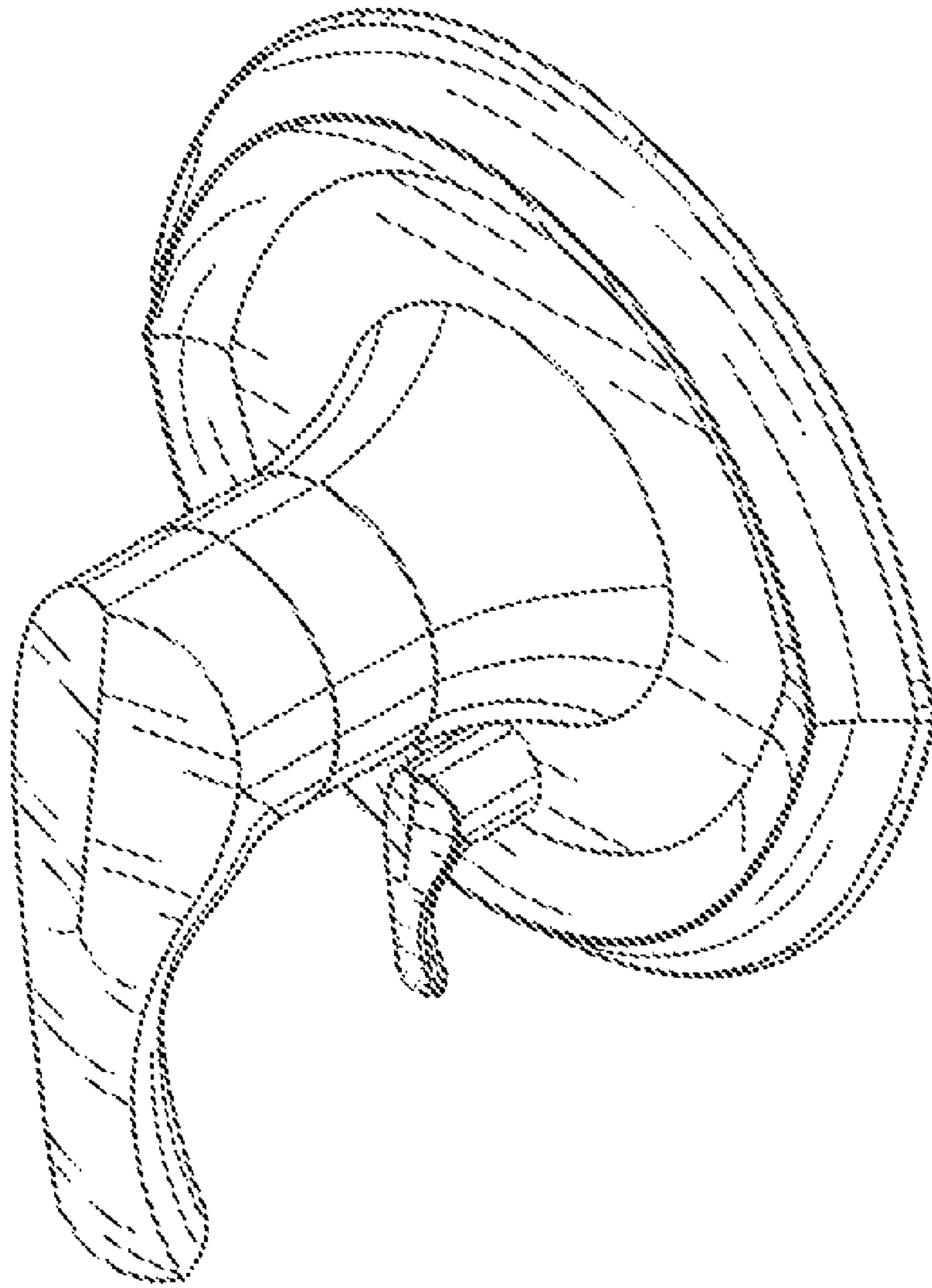


FIG. 1

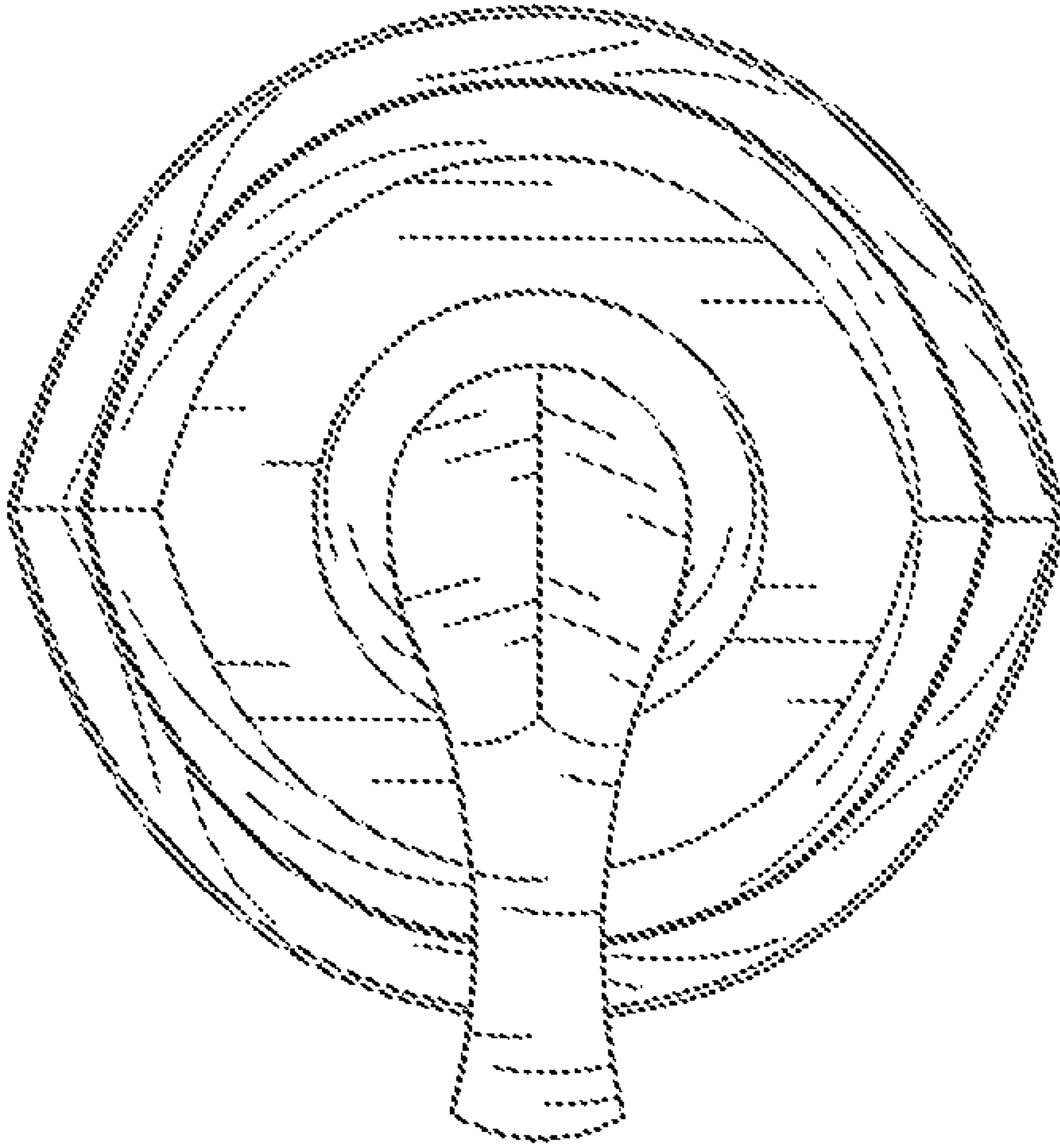


FIG. 2

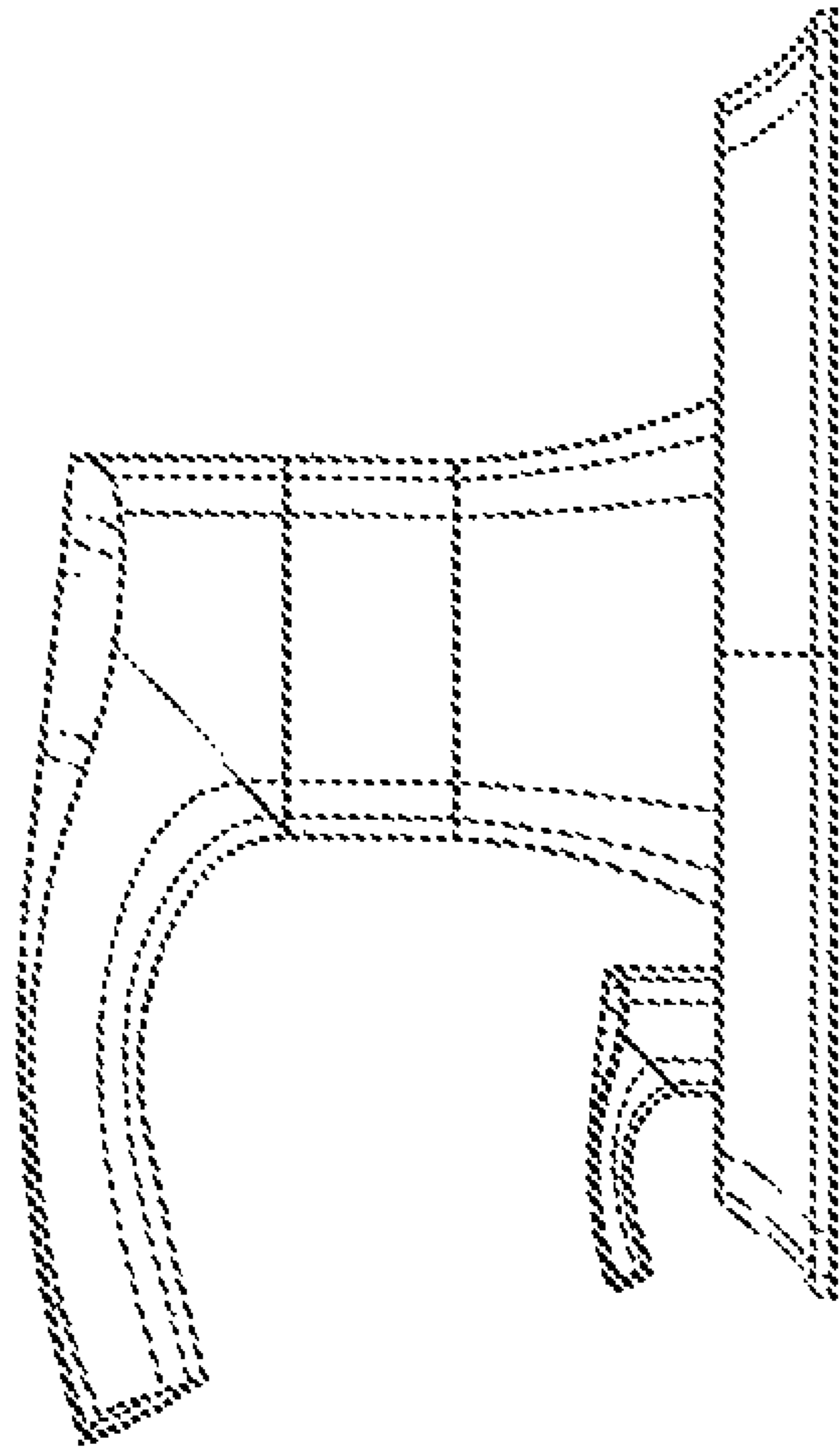


FIG. 3

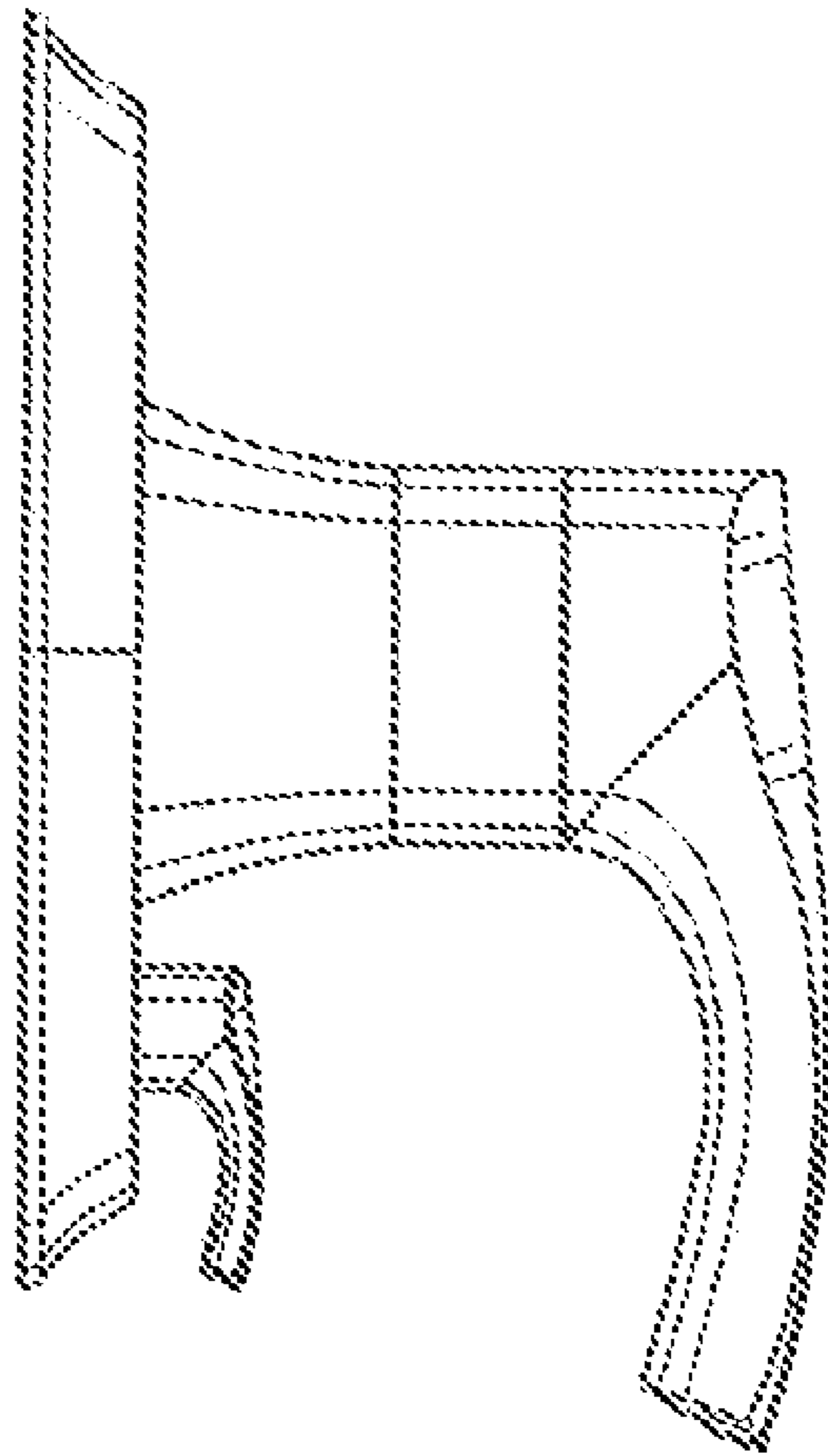


FIG. 4

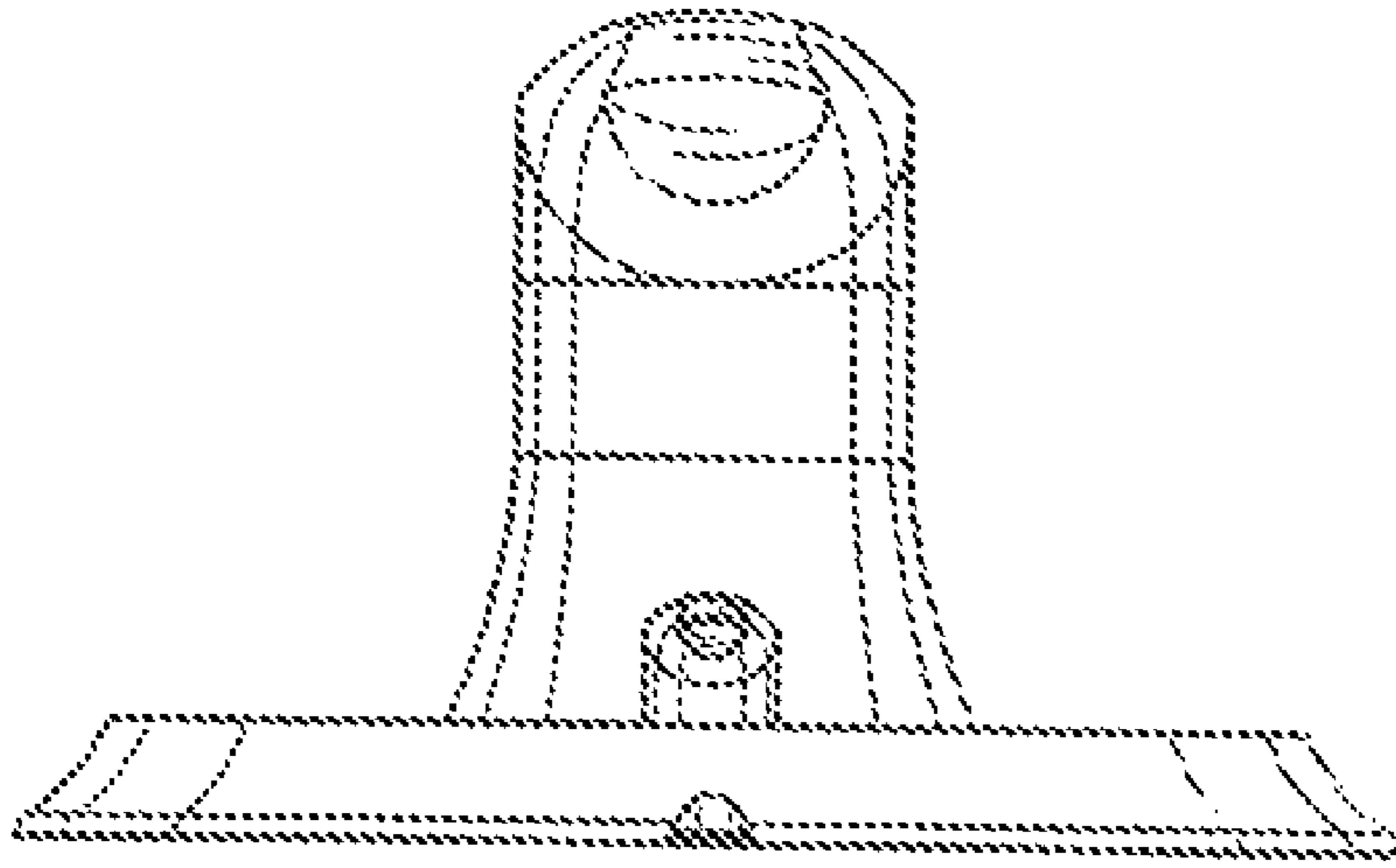


FIG. 5

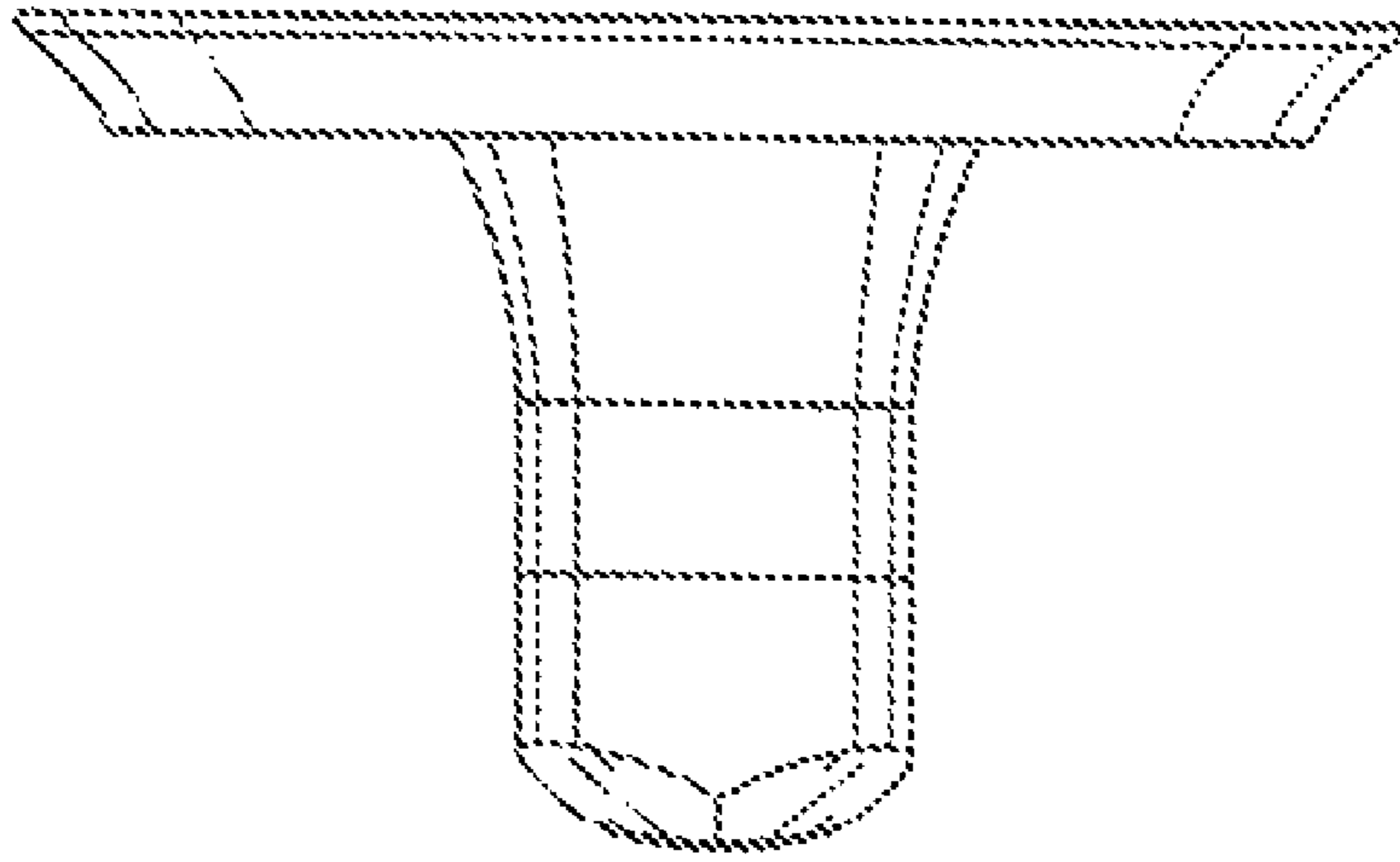


FIG. 6