



US00D581488S

(12) **United States Design Patent**
Dolan

(10) **Patent No.:** **US D581,488 S**

(45) **Date of Patent:** **** Nov. 25, 2008**

(54) **PART OF A FAUCET**

(76) **Inventor:** **Patrick S. Dolan**, 2700 NW. Front Ave.,
Portland, OR (US) 97210

(**) **Term:** **14 Years**

(21) **Appl. No.:** **29/289,263**

(22) **Filed:** **Jul. 13, 2007**

(51) **LOC (8) Cl.** **23-01**

(52) **U.S. Cl.** **D23/250**

(58) **Field of Classification Search** D23/250,
D23/249, 252, 254, 238, 242; D8/300, 307,
D8/308; 4/675-677; 16/110.1

See application file for complete search history.

(56) **References Cited**

U.S. PATENT DOCUMENTS

D352,095 S	11/1994	Bollenbacher	
D375,345 S	11/1996	Warshawsky	
D407,466 S	3/1999	Hundley	
D433,735 S	* 11/2000	Lord D23/252
D444,544 S	* 7/2001	Lord D23/252
D451,237 S	11/2001	Dolan	
D452,035 S	12/2001	Dolan	
D483,093 S	12/2003	Bates	
D490,502 S	* 5/2004	Ouyoung D23/252
D491,639 S	6/2004	Egee	
D505,186 S	* 5/2005	Ouyoung D23/250
D515,182 S	* 2/2006	Ouyoung D23/252
D515,669 S	* 2/2006	Ying-Hui et al. D23/241
D569,952 S	* 5/2008	Yuan D23/250
D570,962 S	* 6/2008	Dolan D23/250

OTHER PUBLICATIONS

Co-Pending U.S. Appl. No. 29/289,702, filed Jul. 26, 2007, Patrick S. Dolan.

Co-Pending U.S. Appl. No. 29/289,277, filed Jul. 12, 2007, Aihui Yuan.

Co-Pending U.S. Appl. No. 29/289,263, filed Jul. 12, 2007, Patrick S. Dolan.

Co-Pending U.S. Appl. No. 29/289,293, filed Jul. 12, 2007, Aihui Yuan.

Co-Pending U.S. Appl. No. 29/289,278, filed Jul. 12, 2007, Aihui Yuan.

Co-Pending U.S. Appl. No. 29/289,274, filed Jul. 12, 2007, Aihui Yuan.

Co-Pending U.S. Appl. No. 29/270,978, filed Jan. 5, 2007, Patrick S. Dolan.

Co-Pending U.S. Appl. No. 29/270,973, filed Jan. 5, 2007, Patrick S. Dolan.

Paul Decor Products, Model: C731-00, Ason website: www.faucetdirect.com, Oct. 20, 2006.

* cited by examiner

Primary Examiner—Robin V Webster

(57) **CLAIM**

The ornamental design for a part of a faucet, as shown and described.

DESCRIPTION

FIG. 1 is a perspective view thereof;

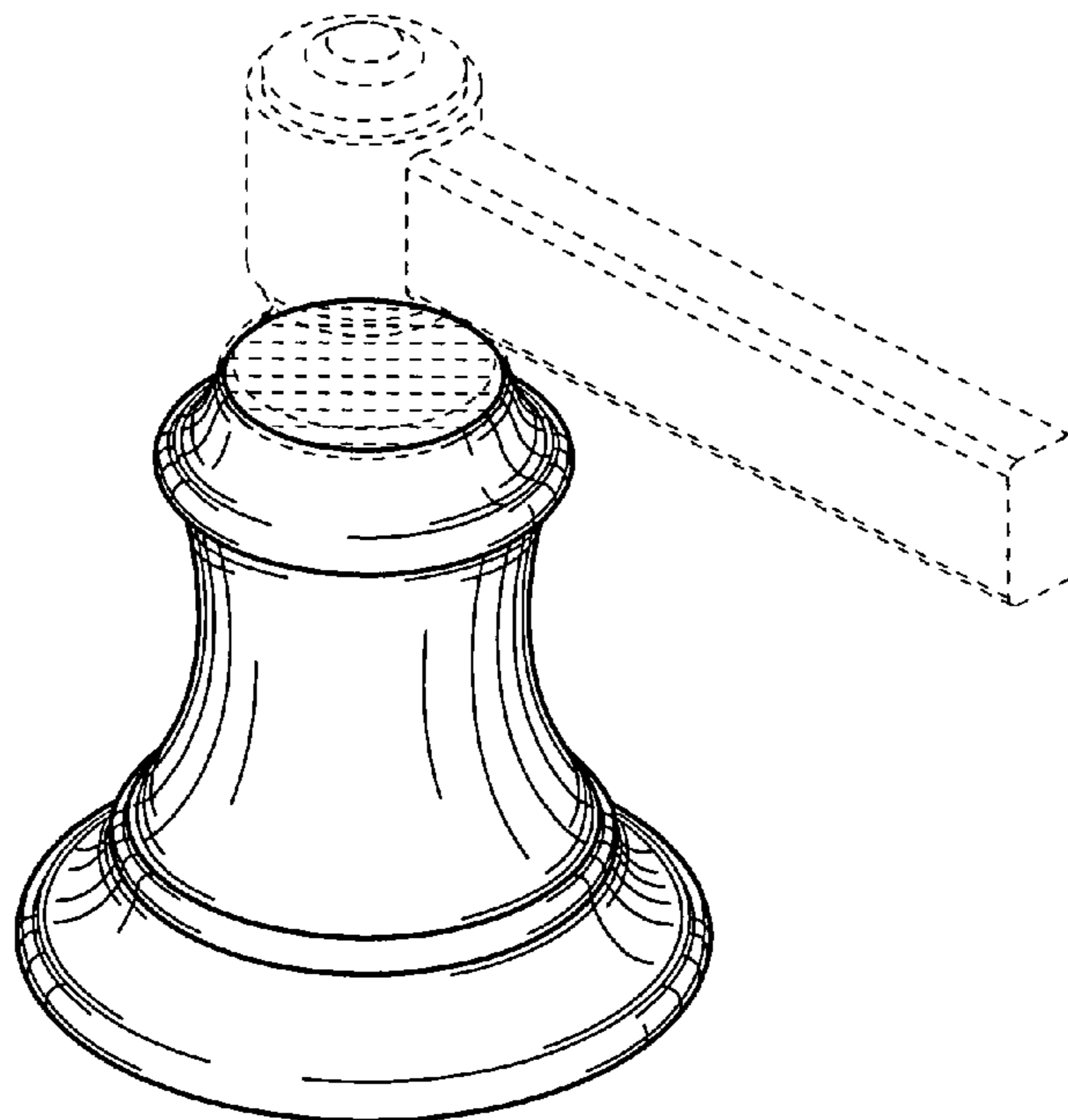
FIG. 2 is a front elevational view thereof;

FIG. 3 is a right side view, all sides being identical; and,

FIG. 4 is a top plan view.

The broken line showing of environmental structure is for illustrative purposes only and forms no part of the claimed design.

1 Claim, 4 Drawing Sheets



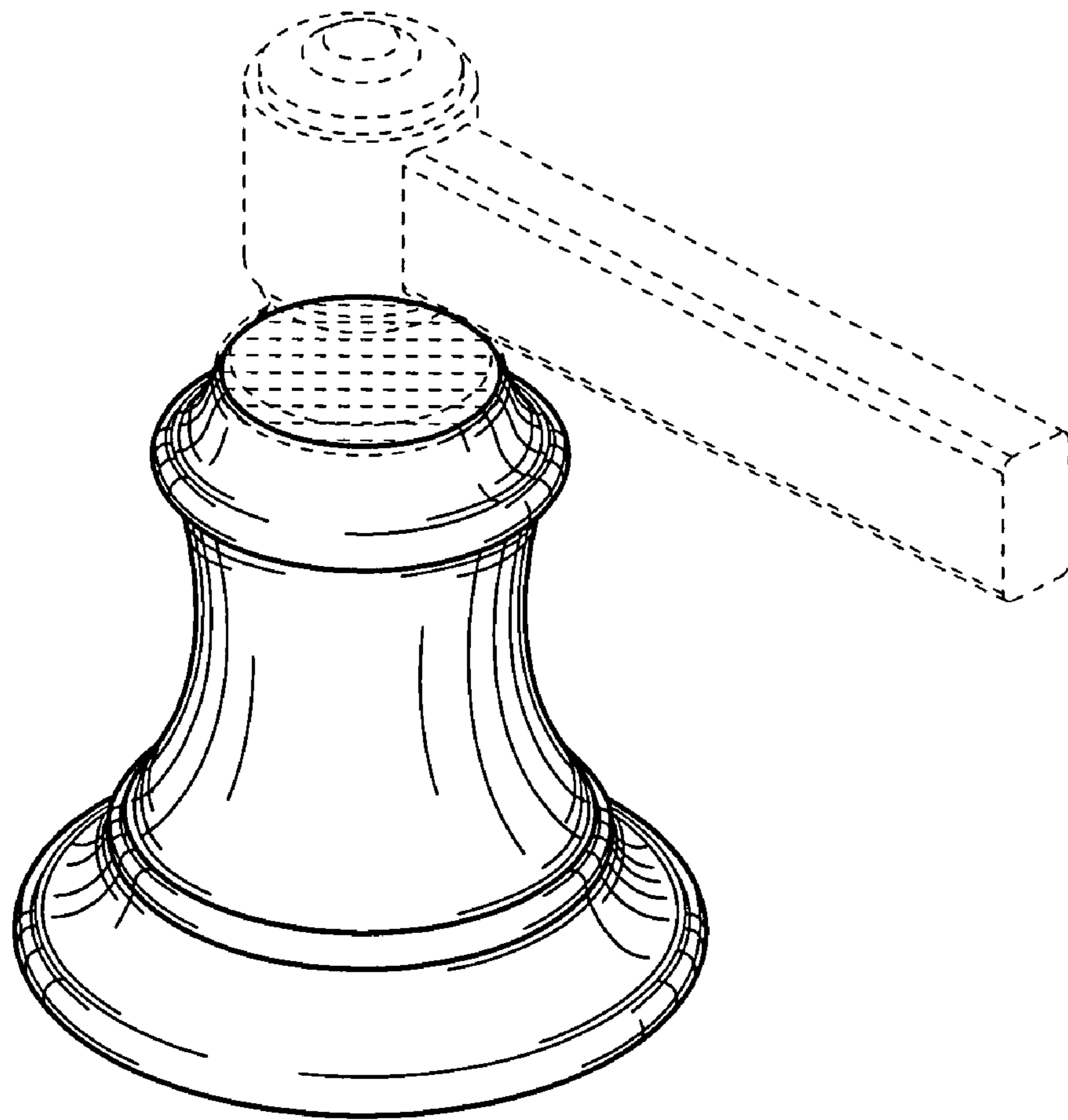


FIG. 1

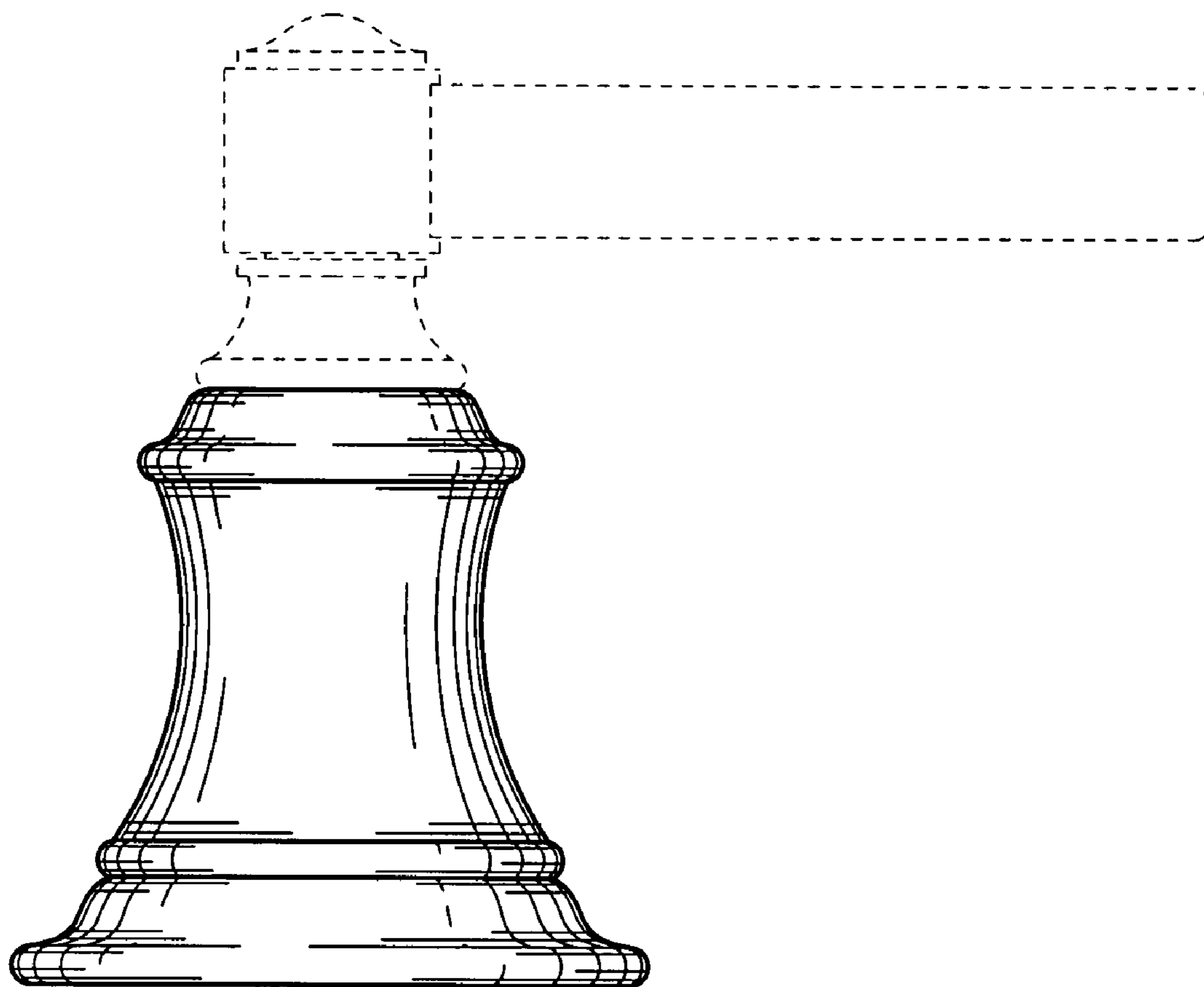


FIG. 2

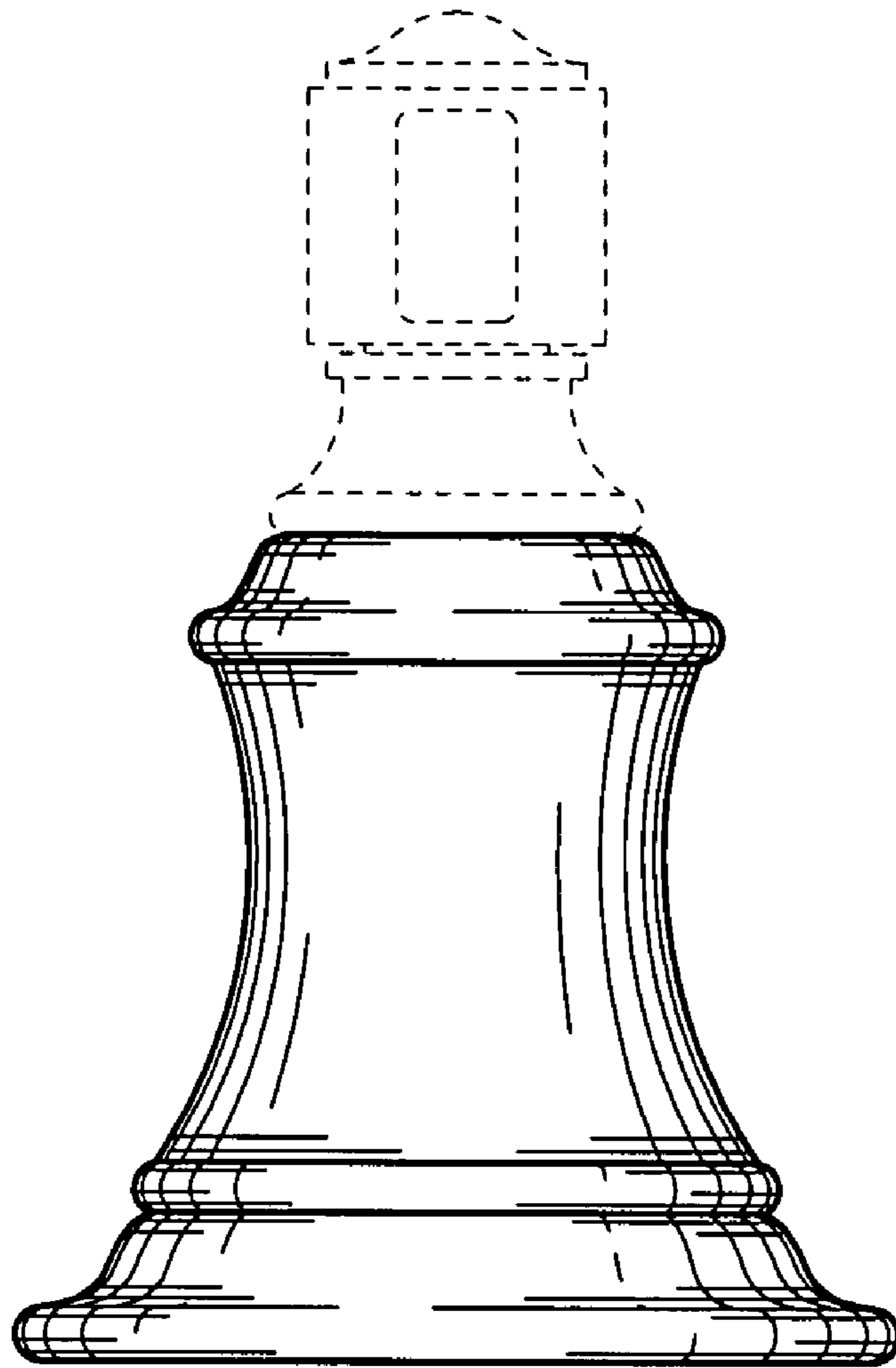


FIG. 3

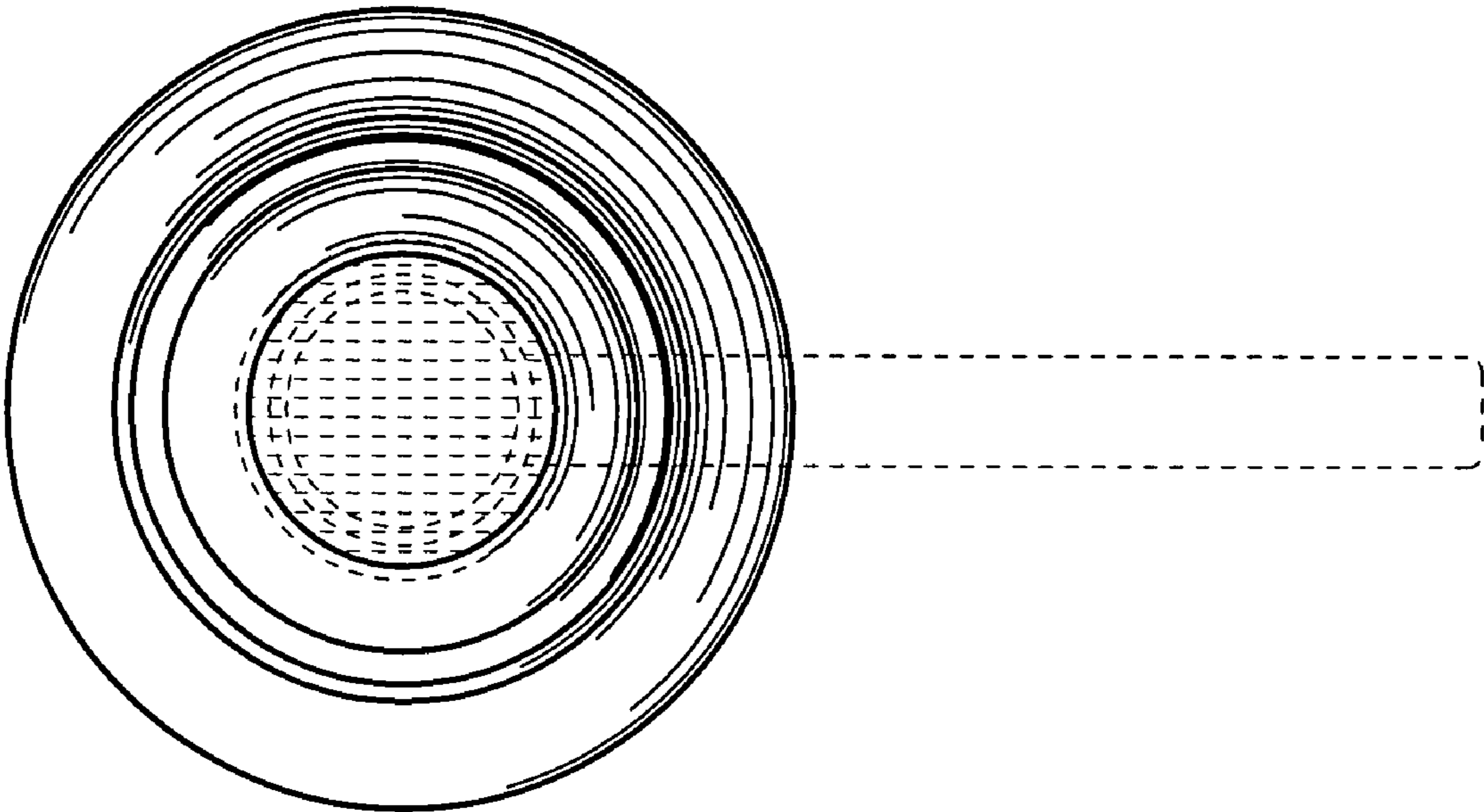


FIG. 4