



US00D581486S

(12) **United States Design Patent**  
**Fulford et al.**

(10) **Patent No.:** **US D581,486 S**

(45) **Date of Patent:** **\*\* Nov. 25, 2008**

(54) **FAUCET SPRAY**

(75) Inventors: **Evan A. Fulford**, Chicago, IL (US);  
**Markus T. Esch**, Chicago, IL (US)

(73) Assignee: **Elkay Manufacturing Company**, Oak Brook, IL (US)

(\*\*) Term: **14 Years**

(21) Appl. No.: **29/306,560**

(22) Filed: **Apr. 10, 2008**

(51) **LOC (8) Cl.** ..... **23-01**

(52) **U.S. Cl.** ..... **D23/226; D23/223**

(58) **Field of Classification Search** ..... D23/213,  
D23/223, 226; 239/525-6  
See application file for complete search history.

(56) **References Cited**

U.S. PATENT DOCUMENTS

D373,173 S	8/1996	Valley et al.	
D373,174 S	8/1996	Valley et al.	
D380,808 S	7/1997	Barre	
D390,915 S	2/1998	Futo et al.	
D430,644 S	9/2000	Higgins	
D441,834 S	5/2001	McGrath et al.	
D471,956 S *	3/2003	Zhao	D23/226
D475,120 S *	5/2003	Ouyoung	D23/226
D532,078 S	11/2006	Bosio	
D533,252 S	12/2006	Bosio	

D540,909 S *	4/2007	Yu	D23/226
7,341,209 B1 *	3/2008	Ko	239/526
D568,440 S *	5/2008	Pan	D23/223

\* cited by examiner

*Primary Examiner*—Robin V Webster

(74) *Attorney, Agent, or Firm*—Leydig, Voit & Mayer, Ltd.

(57) **CLAIM**

The ornamental design for a faucet spray, as shown and described.

**DESCRIPTION**

FIG. 1 is a perspective view taken from the top, front, and right side of a faucet spray showing our new design;

FIG. 2 is a top plan view of the faucet spray shown in FIG. 1;

FIG. 3 is a bottom view of the faucet spray shown in FIG. 1;

FIG. 4 is a front elevational view of the faucet spray shown in FIG. 1;

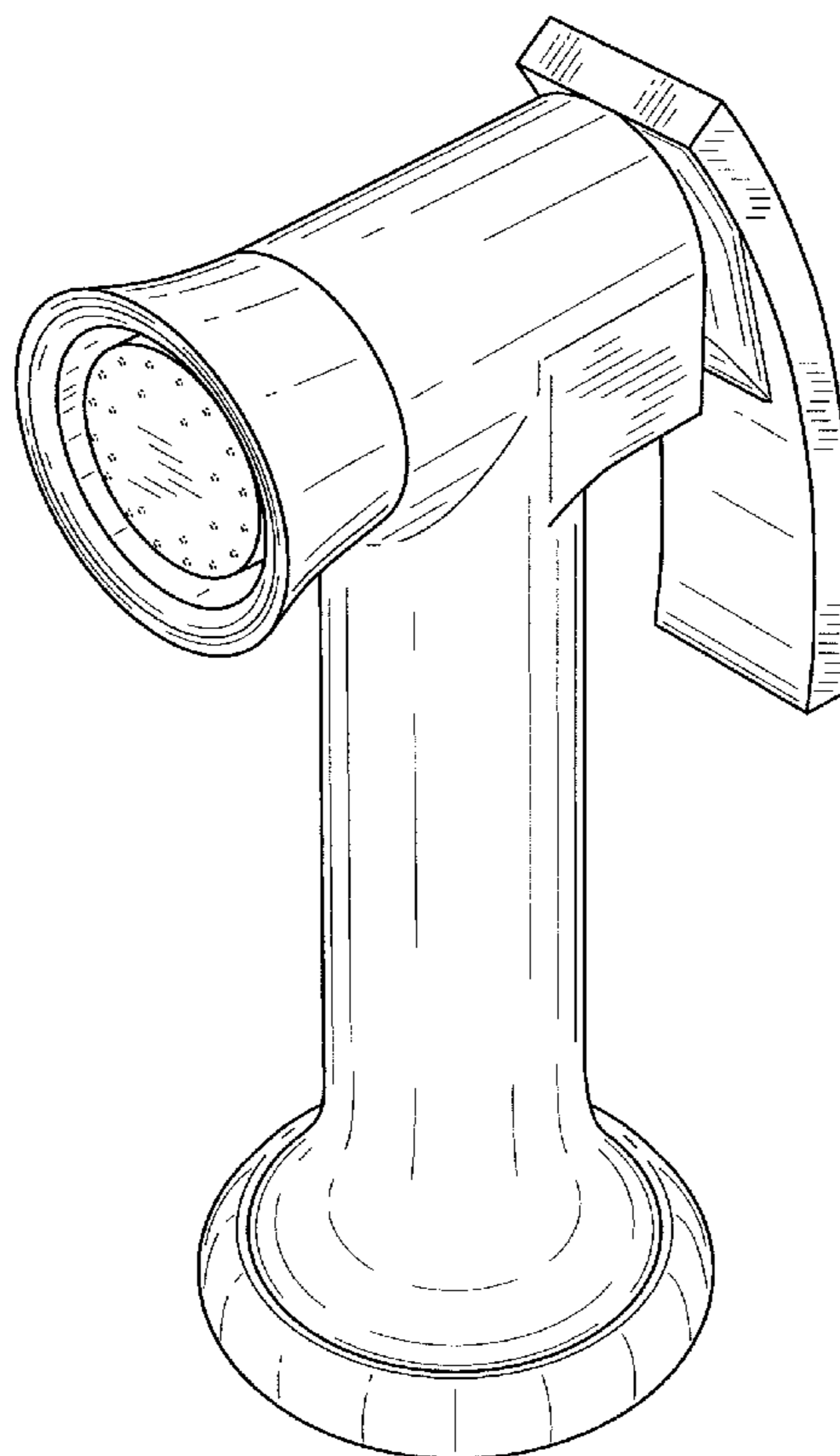
FIG. 5 is a rear elevational view of the faucet spray shown in FIG. 1;

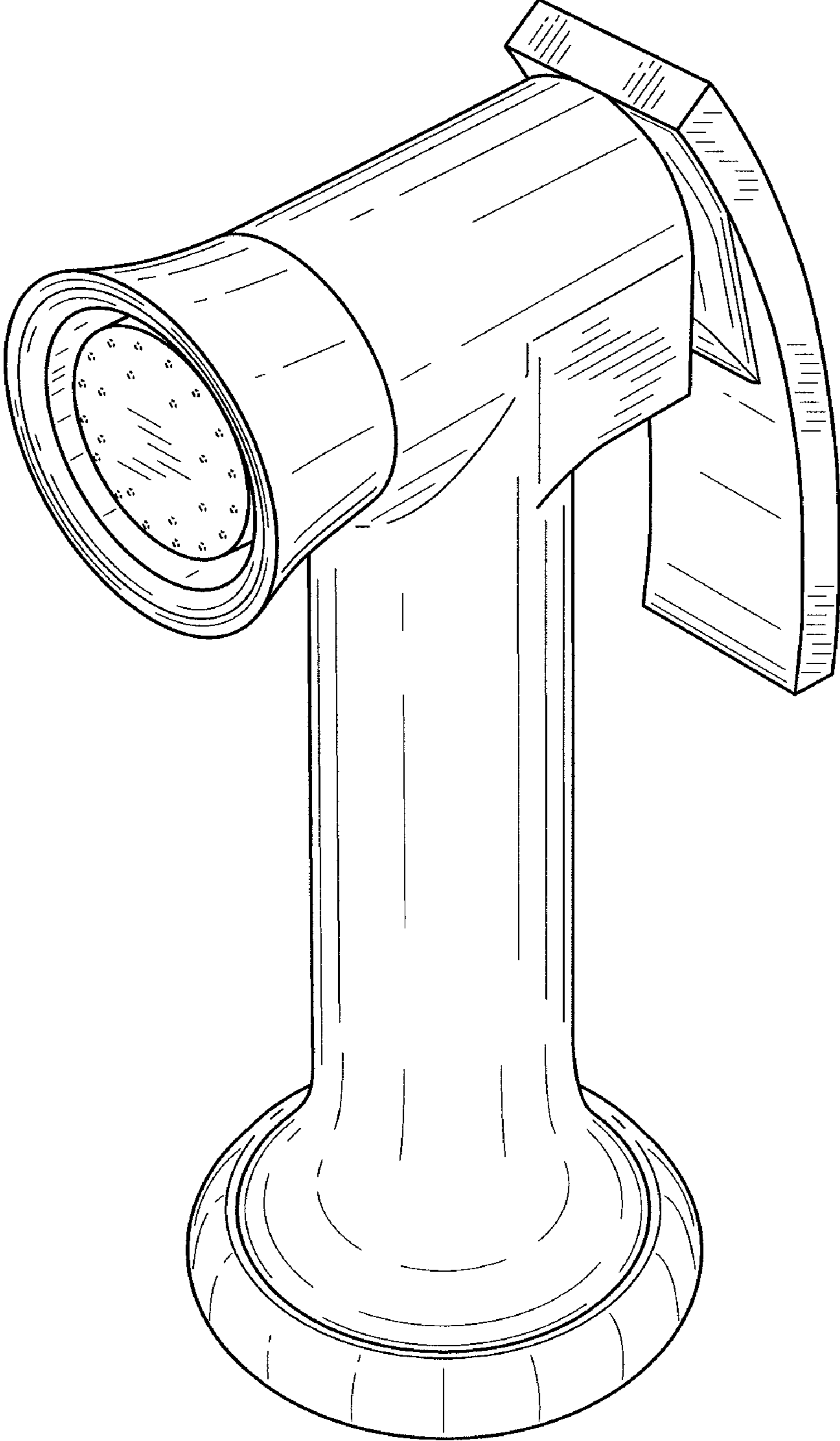
FIG. 6 is a left elevational side view of the faucet spray shown in FIG. 1; and,

FIG. 7 is a right elevational side view of the faucet spray shown in FIG. 1.

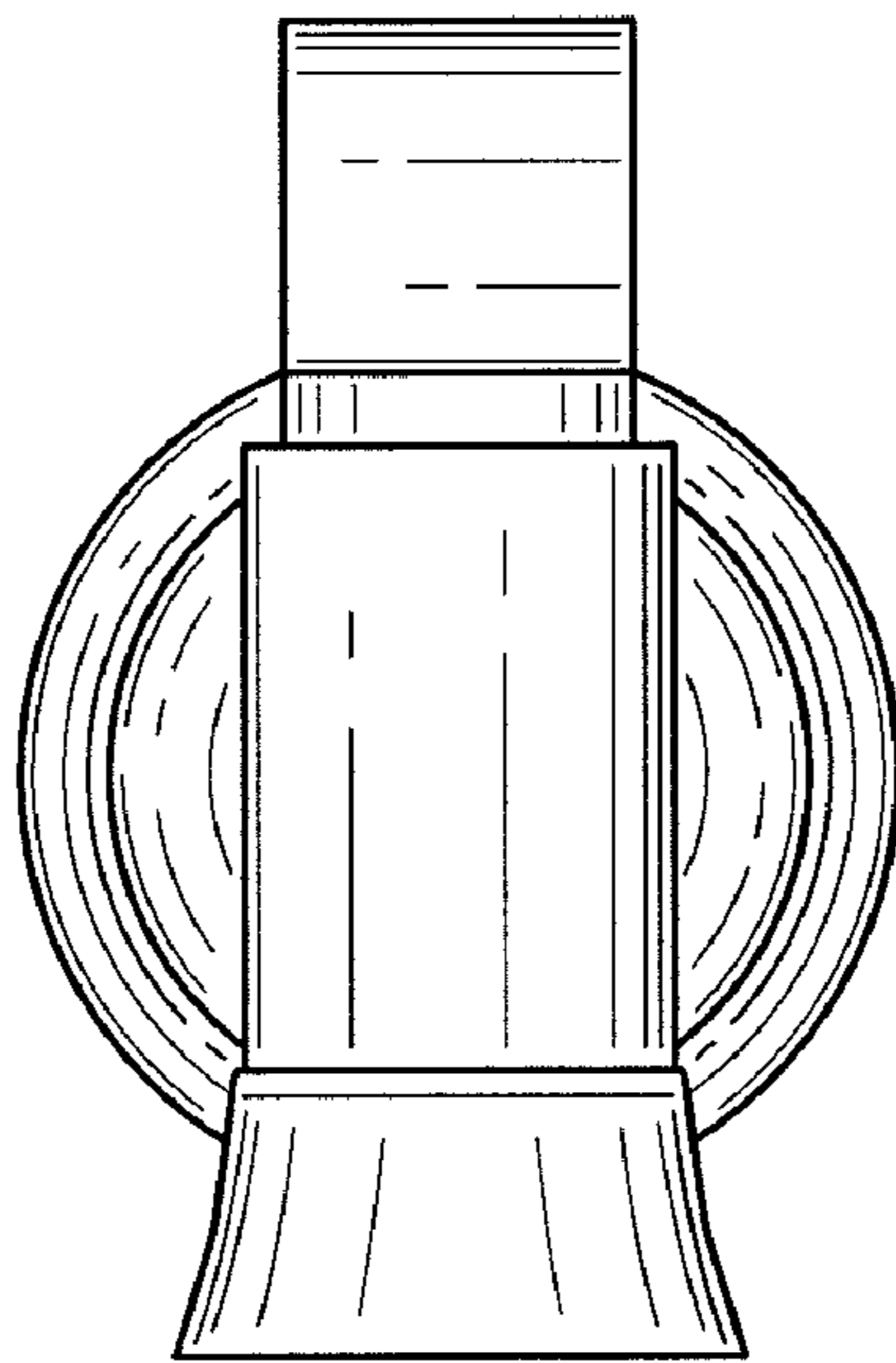
The broken lines are for illustration purposes only and form no part of the claimed design.

**1 Claim, 4 Drawing Sheets**

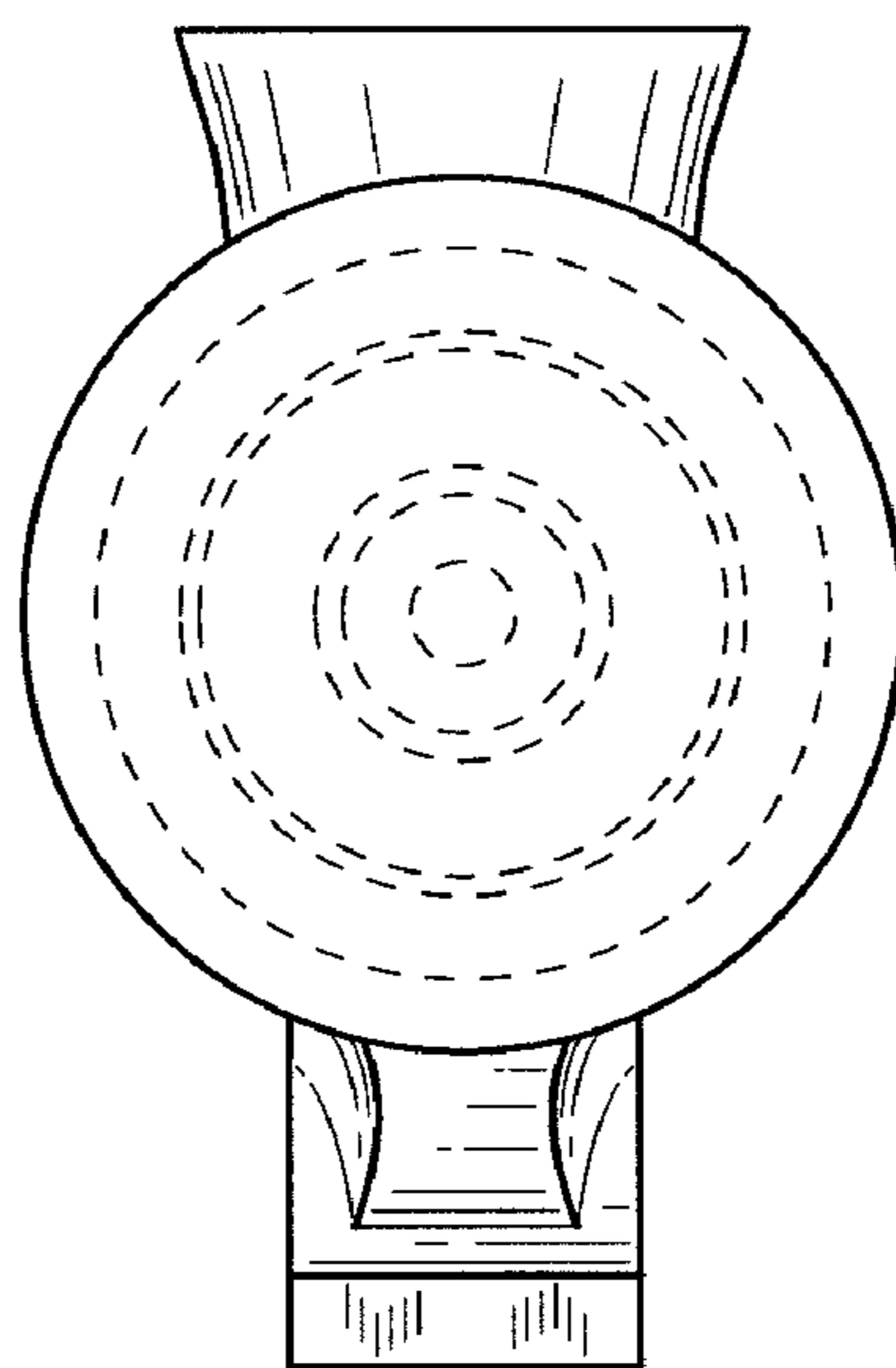




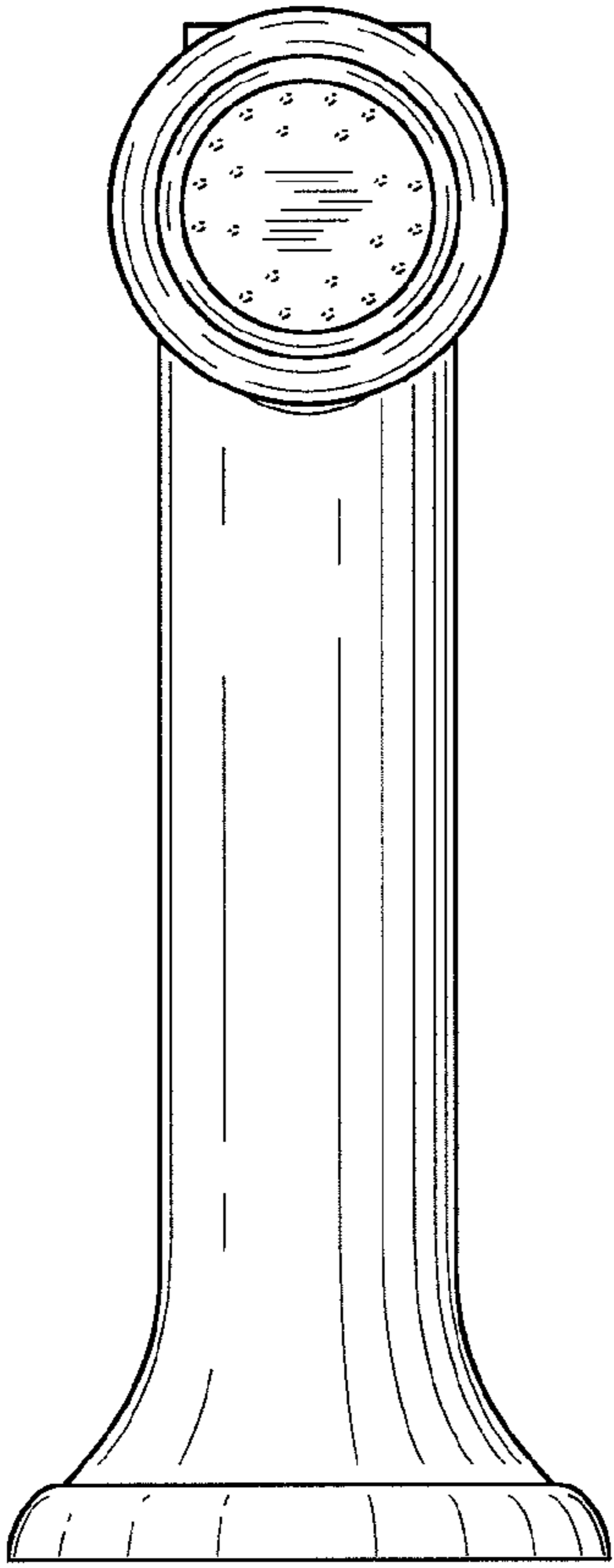
**FIG. 1**



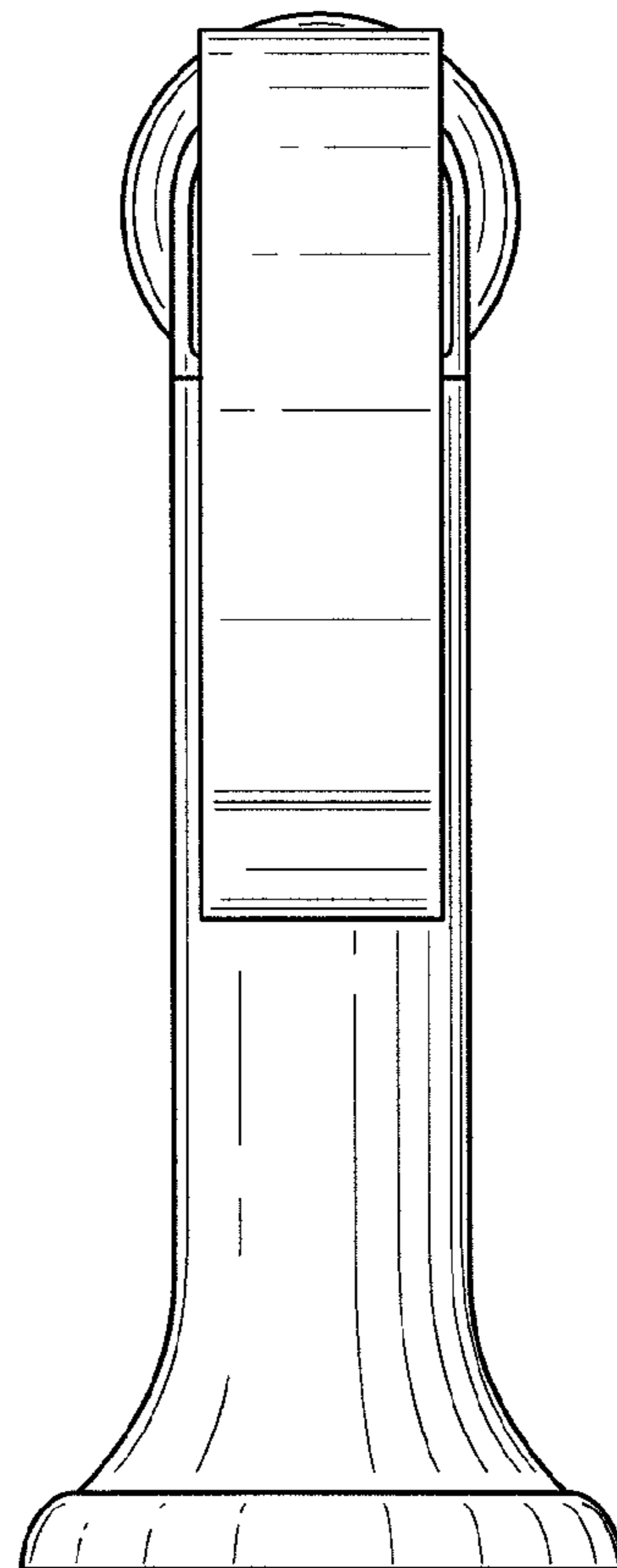
**FIG. 2**



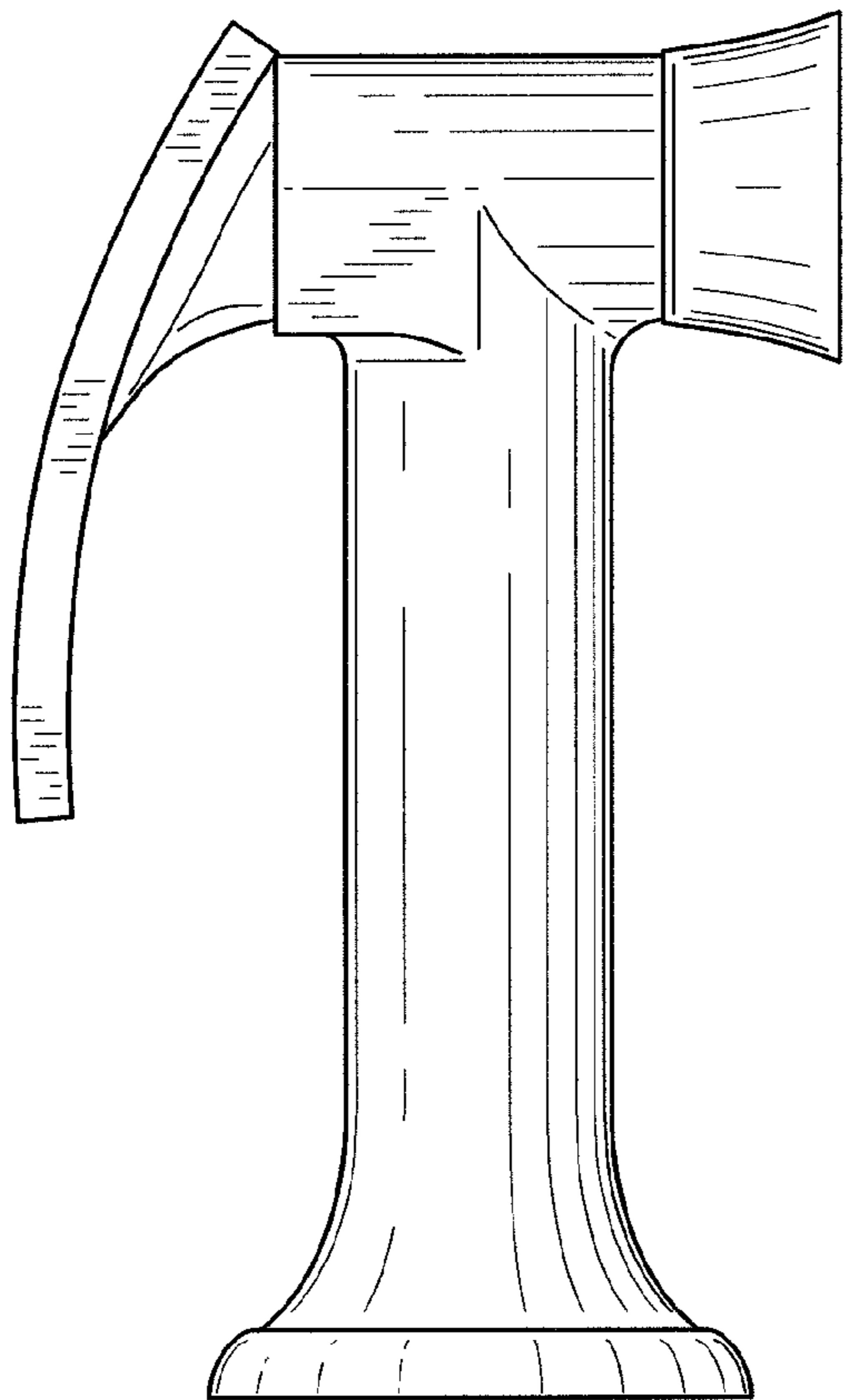
**FIG. 3**



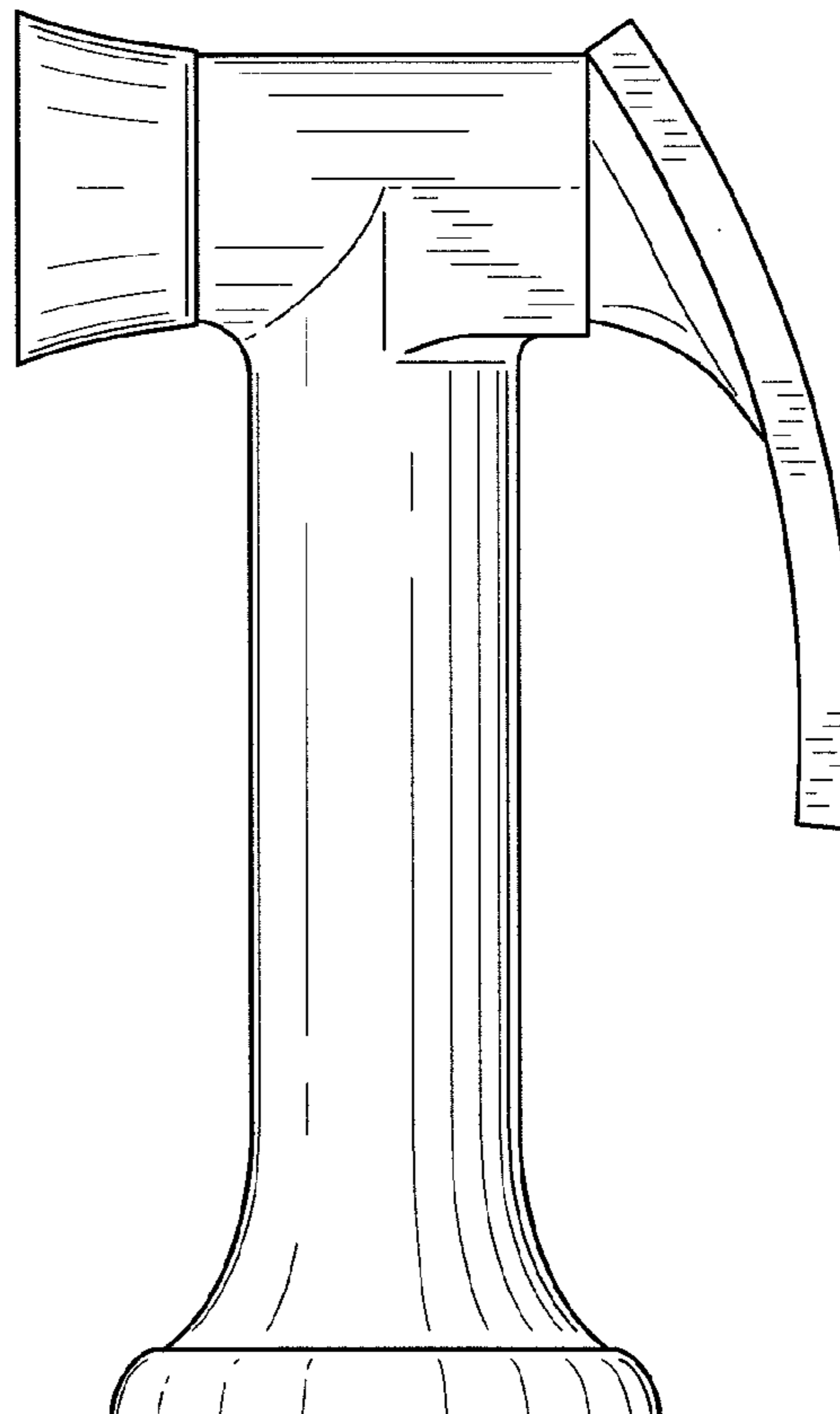
**FIG. 4**



**FIG. 5**



**FIG. 6**



**FIG. 7**