



US00D581485S

(12) **United States Design Patent**  
**Kollmann et al.**

(10) **Patent No.:** **US D581,485 S**

(45) **Date of Patent:** **\*\* Nov. 25, 2008**

(54) **HAND-HELD SHOWER**

D545,941 S \* 7/2007 Li ..... D23/223  
D546,418 S \* 7/2007 Dingler et al. .... D23/223

(75) Inventors: **Fabian Kollmann**, Stuttgart (DE); **Tom Schoenherr**, Stuttgart (DE); **Erkan Bilgic**, Stuttgart (DE)

\* cited by examiner

*Primary Examiner*—Robin V Webster

(73) Assignee: **Hansgrohe AG** (DE)

(74) *Attorney, Agent, or Firm*—Leon E. Redman; Lloyd D. Doigan

(\*\*) Term: **14 Years**

(57) **CLAIM**

(21) Appl. No.: **29/305,060**

The ornamental design for a hand-held shower, as shown and described.

(22) Filed: **Mar. 13, 2008**

(30) **Foreign Application Priority Data**

**DESCRIPTION**

Sep. 24, 2007 (EM) ..... 000795224-0001

FIG. 1 is a bottom perspective view of a hand-held shower showing our design;

(51) **LOC (8) Cl.** ..... **23-01**

FIG. 2 is a front elevational view thereof;

(52) **U.S. Cl.** ..... **D23/223**

FIG. 3 is a rear elevational view thereof;

(58) **Field of Classification Search** ..... D23/213,  
D23/223, 229-230; 4/615; 239/282-283,  
239/394

FIG. 4 is a right side elevational view thereof; the left side elevational view being a mirror image thereof;

See application file for complete search history.

FIG. 5 is a top plan view thereof; and,

FIG. 6 is a bottom plan view thereof.

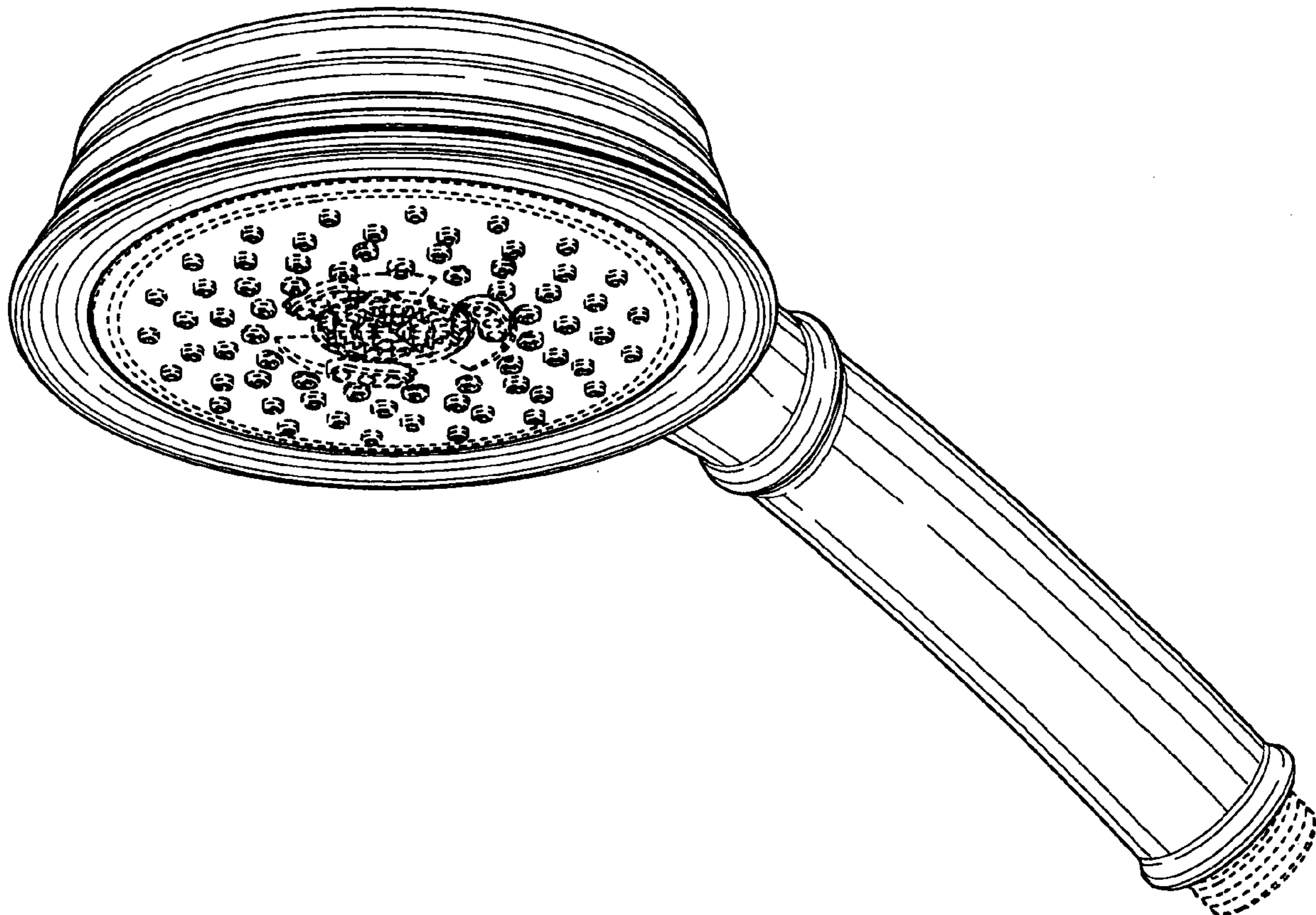
(56) **References Cited**

The broken lines in the Figures are for illustrative purposes only and form no part of the claimed design.

**U.S. PATENT DOCUMENTS**

D510,610 S \* 10/2005 Bailey et al. .... D23/223

**1 Claim, 5 Drawing Sheets**



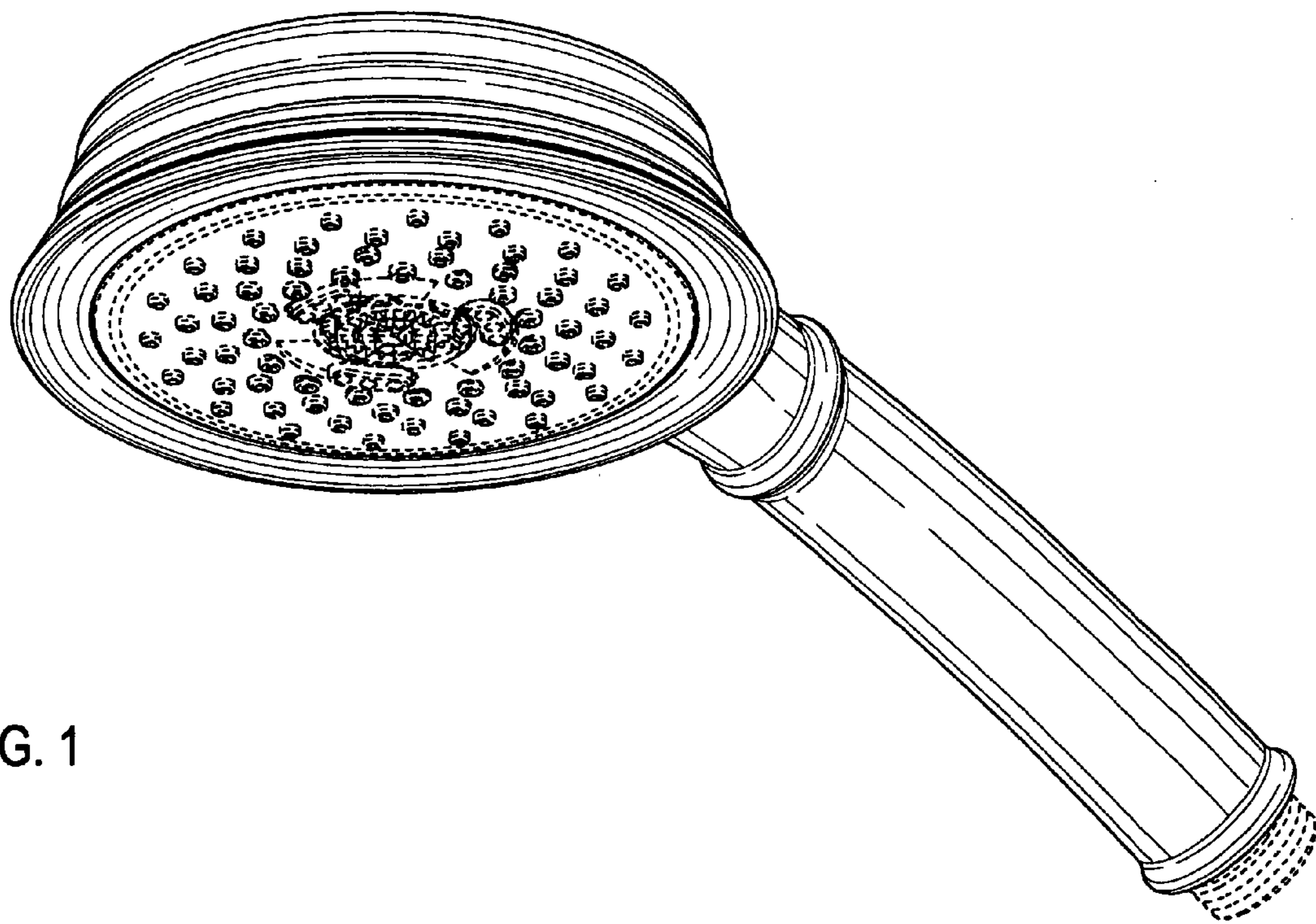


FIG. 1

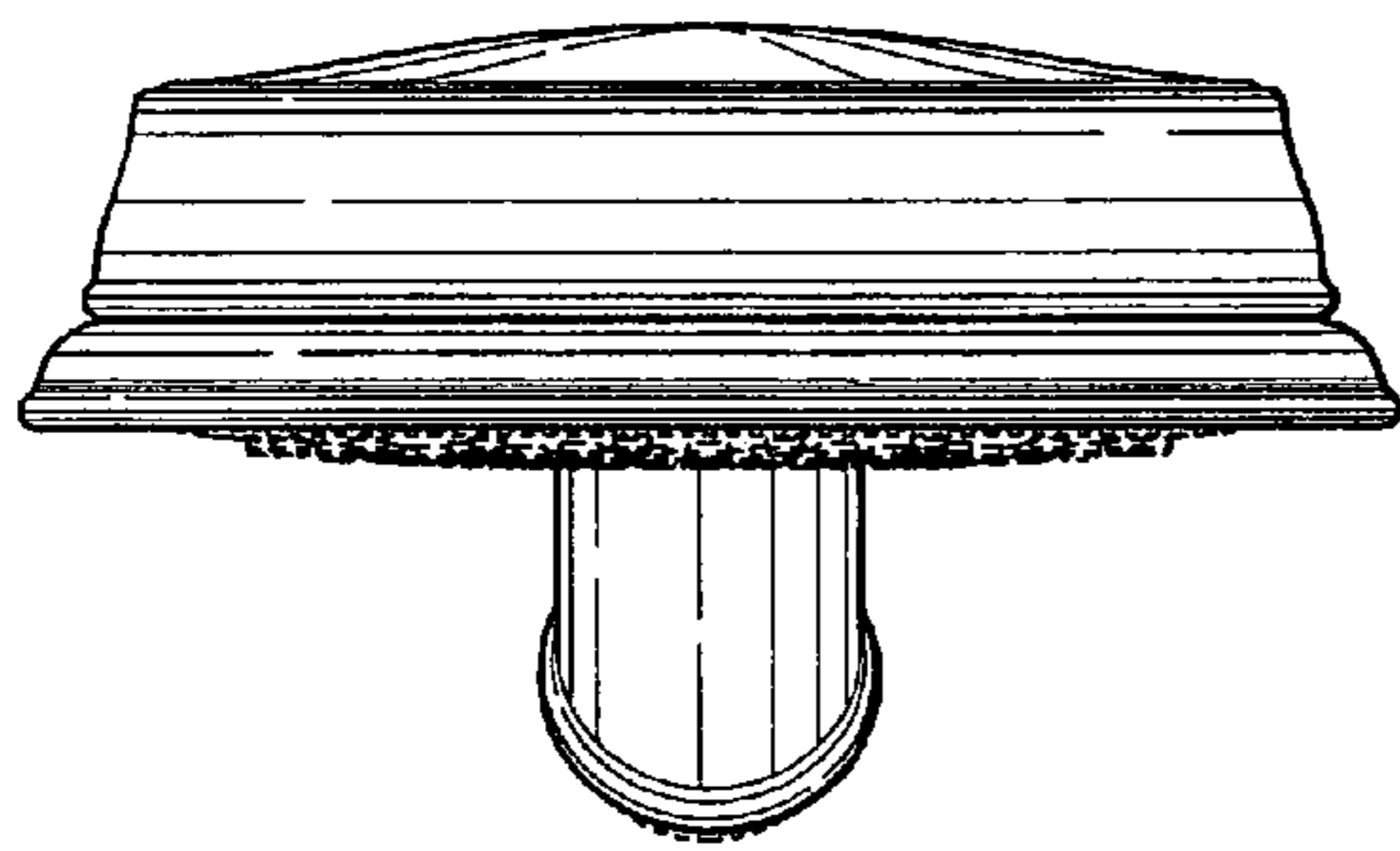


FIG. 2

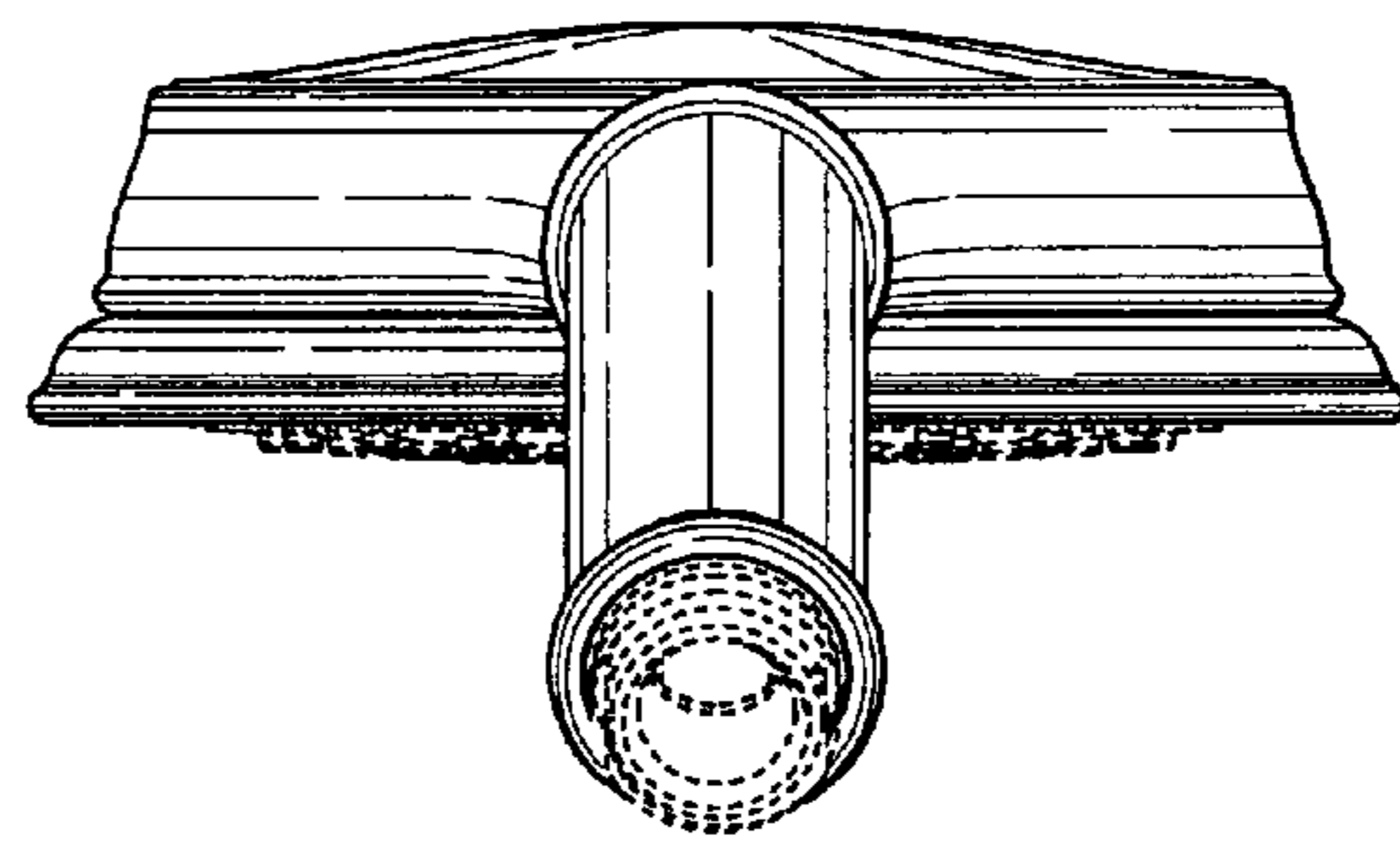


FIG. 3

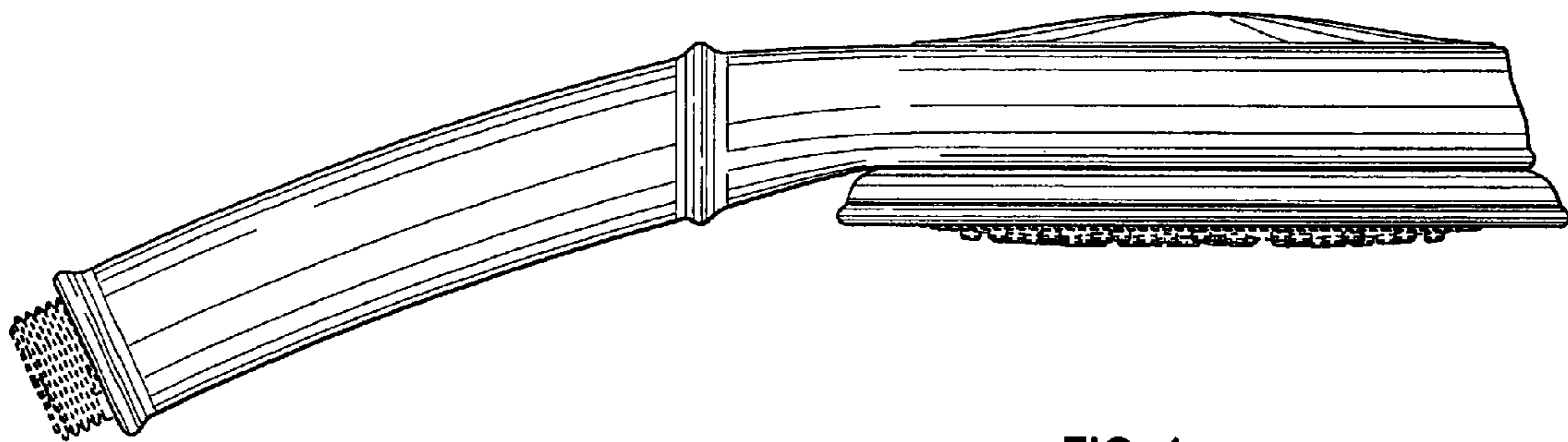


FIG. 4

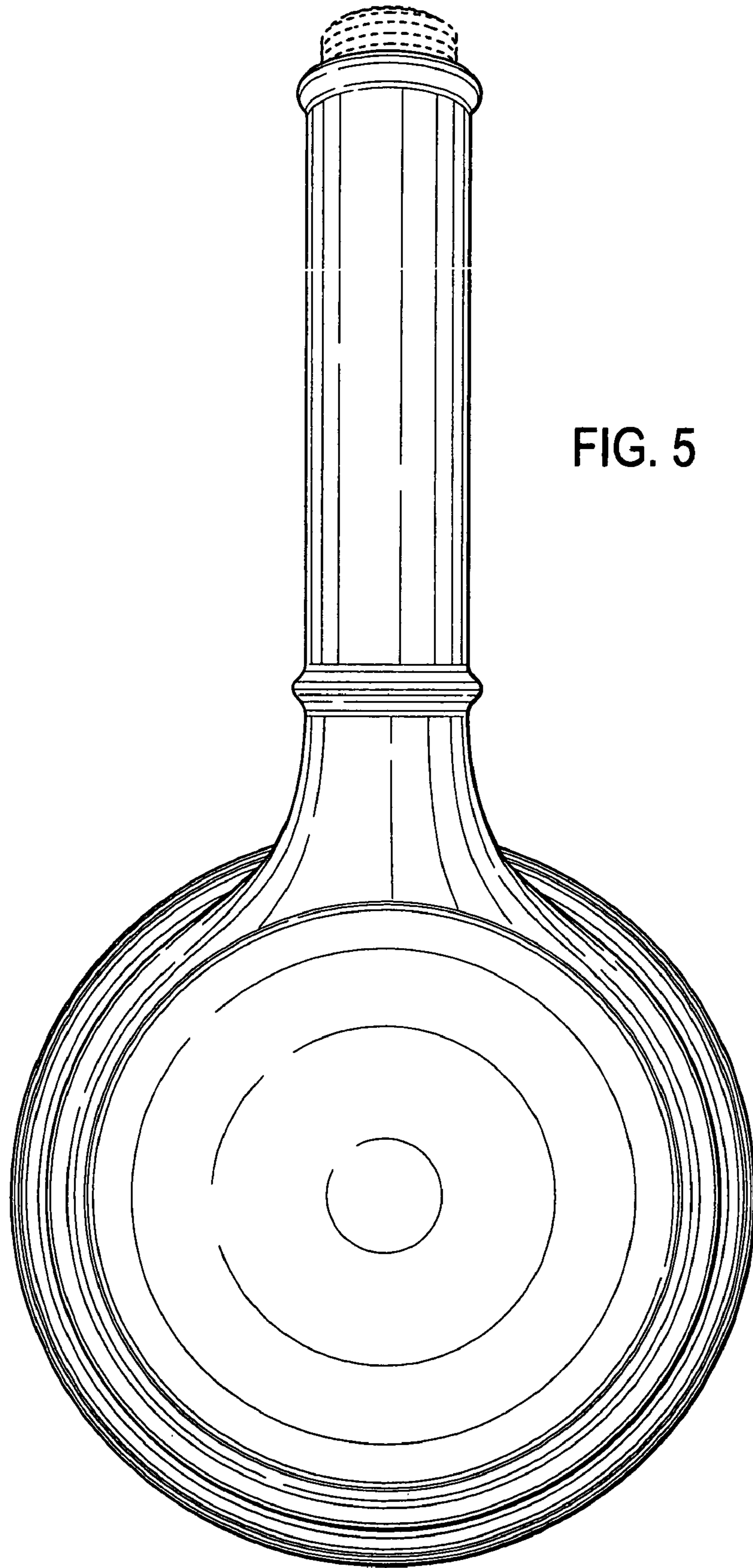


FIG. 5

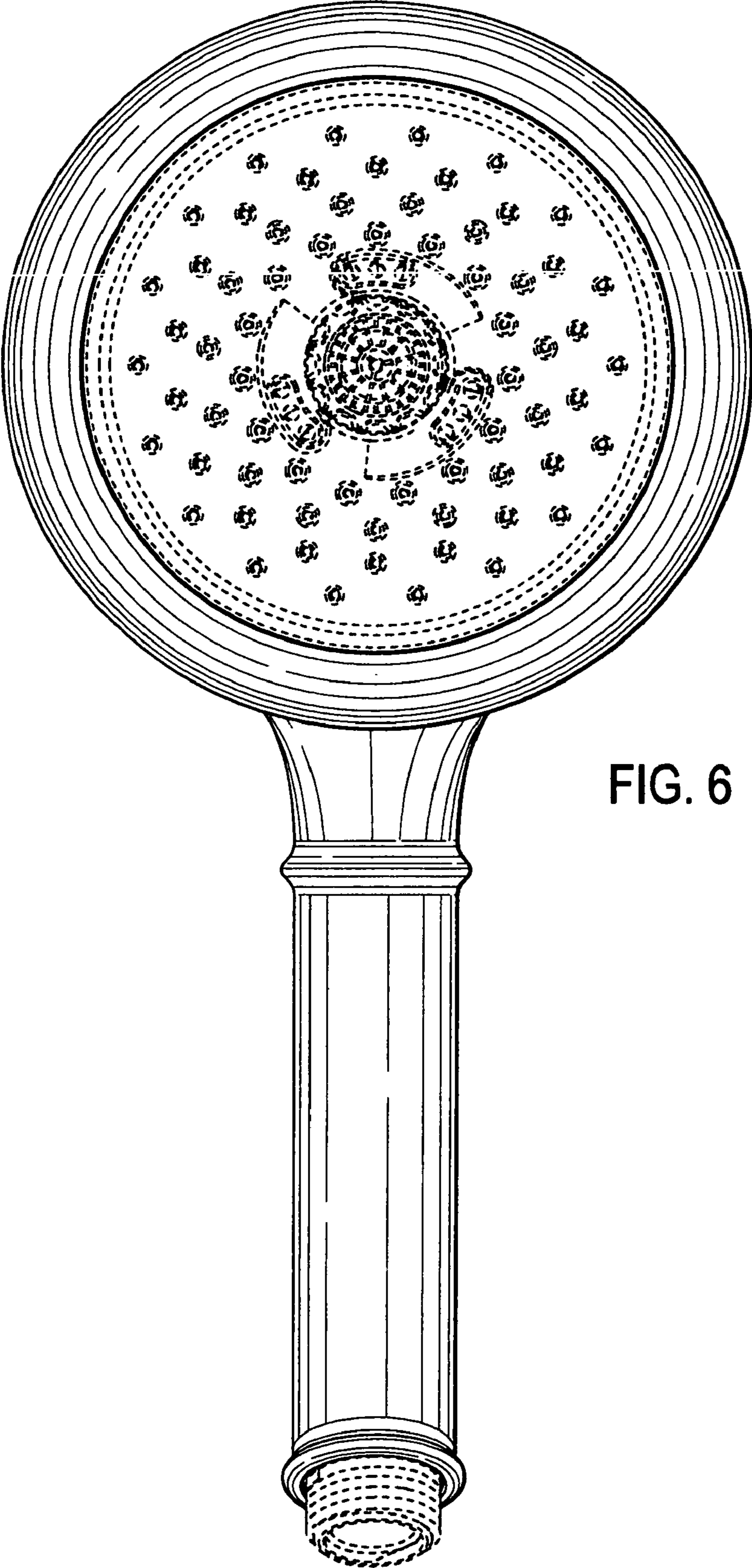


FIG. 6