



US00D581484S

(12) **United States Design Patent**
Schoenherr et al.

(10) **Patent No.:** **US D581,484 S**

(45) **Date of Patent:** **** Nov. 25, 2008**

(54) **HAND SHOWER**

(75) Inventors: **Tom Schoenherr**, Stuttgart (DE);
Fabian Kollmann, Stuttgart (DE)

(73) Assignee: **Hansgrohe AG** (DE)

(**) Term: **14 Years**

(21) Appl. No.: **29/304,649**

(22) Filed: **Mar. 5, 2008**

(30) **Foreign Application Priority Data**

Jan. 24, 2008 (EM) 000865480-0001

(51) **LOC (8) Cl.** **23-01**

(52) **U.S. Cl.** **D23/223**

(58) **Field of Classification Search** D23/213,
D23/223, 229-230; 4/615; 239/282-283,
239/394

See application file for complete search history.

(56) **References Cited**

U.S. PATENT DOCUMENTS

D424,161 S * 5/2000 Haug et al. D23/223

D424,162 S * 5/2000 Haug et al. D23/223

D428,110 S * 7/2000 Haug et al. D23/223

D502,760 S * 3/2005 Zieger et al. D23/223
D503,774 S * 4/2005 Zieger D23/223

* cited by examiner

Primary Examiner—Robin V Webster

(74) *Attorney, Agent, or Firm*—Leon E. Redman; Lloyd D. Doigan

(57) **CLAIM**

The ornamental design for a hand shower, as shown and described.

DESCRIPTION

FIG. 1 is a front perspective view of a hand shower showing our design;

FIG. 2 is a front elevational view thereof;

FIG. 3 is a rear elevational view thereof;

FIG. 4 is a left side elevational view thereof;

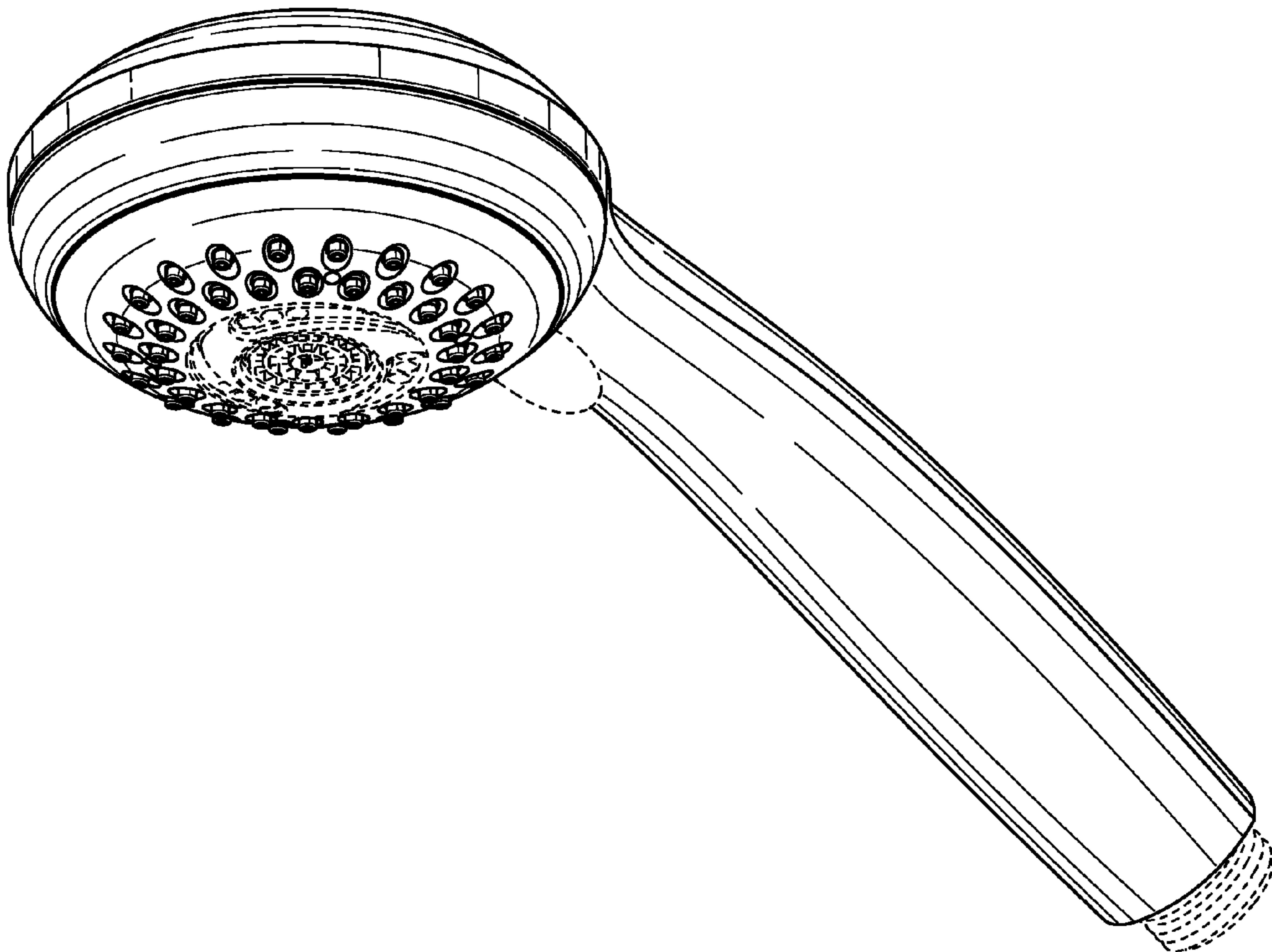
FIG. 5 is a right side elevational view thereof;

FIG. 6 is a top plan view thereof; and,

FIG. 7 is a bottom plan view thereof.

The broken lines in the Figures are for illustrative purposes only and form no part of the claimed design.

1 Claim, 7 Drawing Sheets



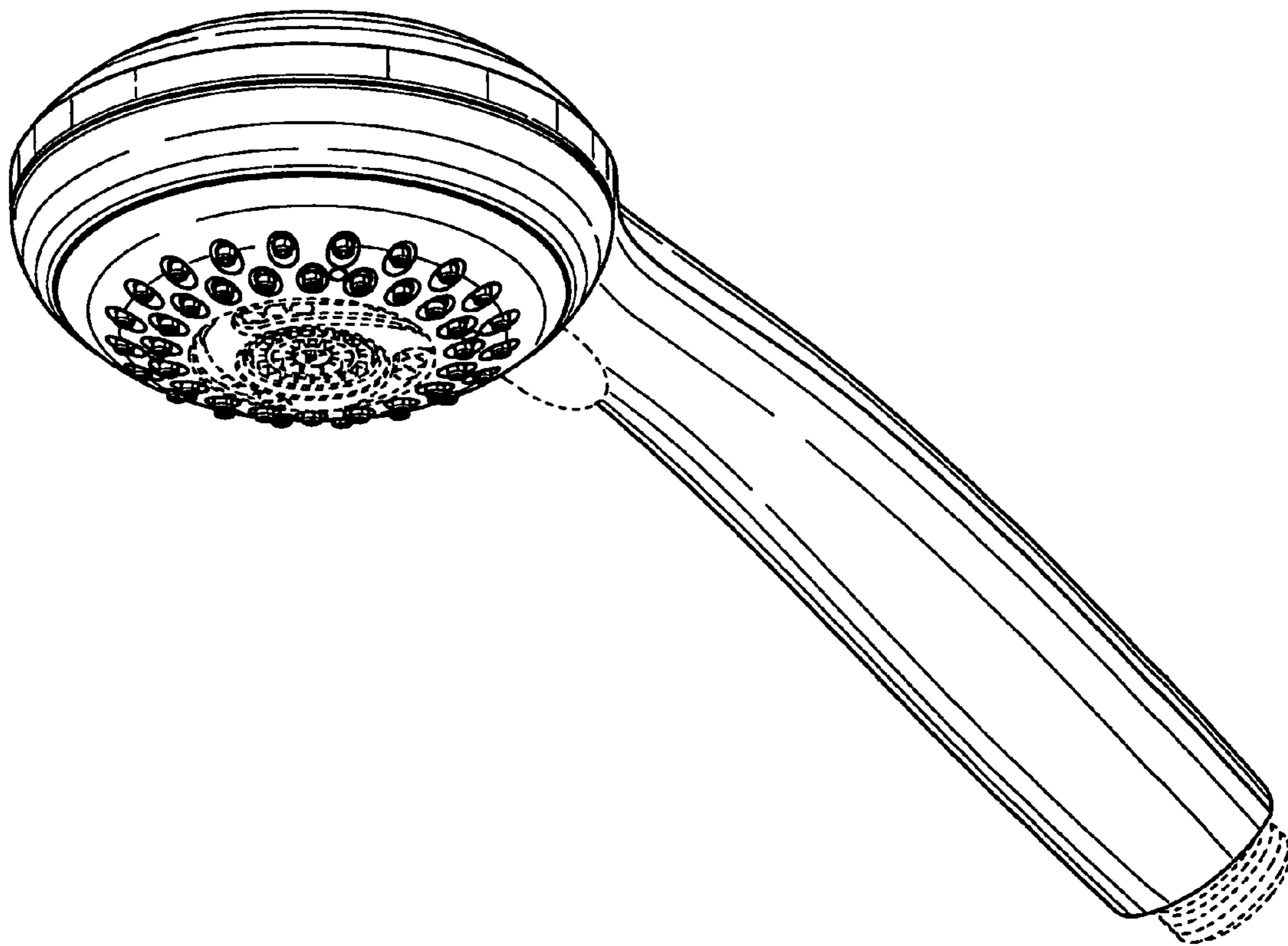


FIG. 1

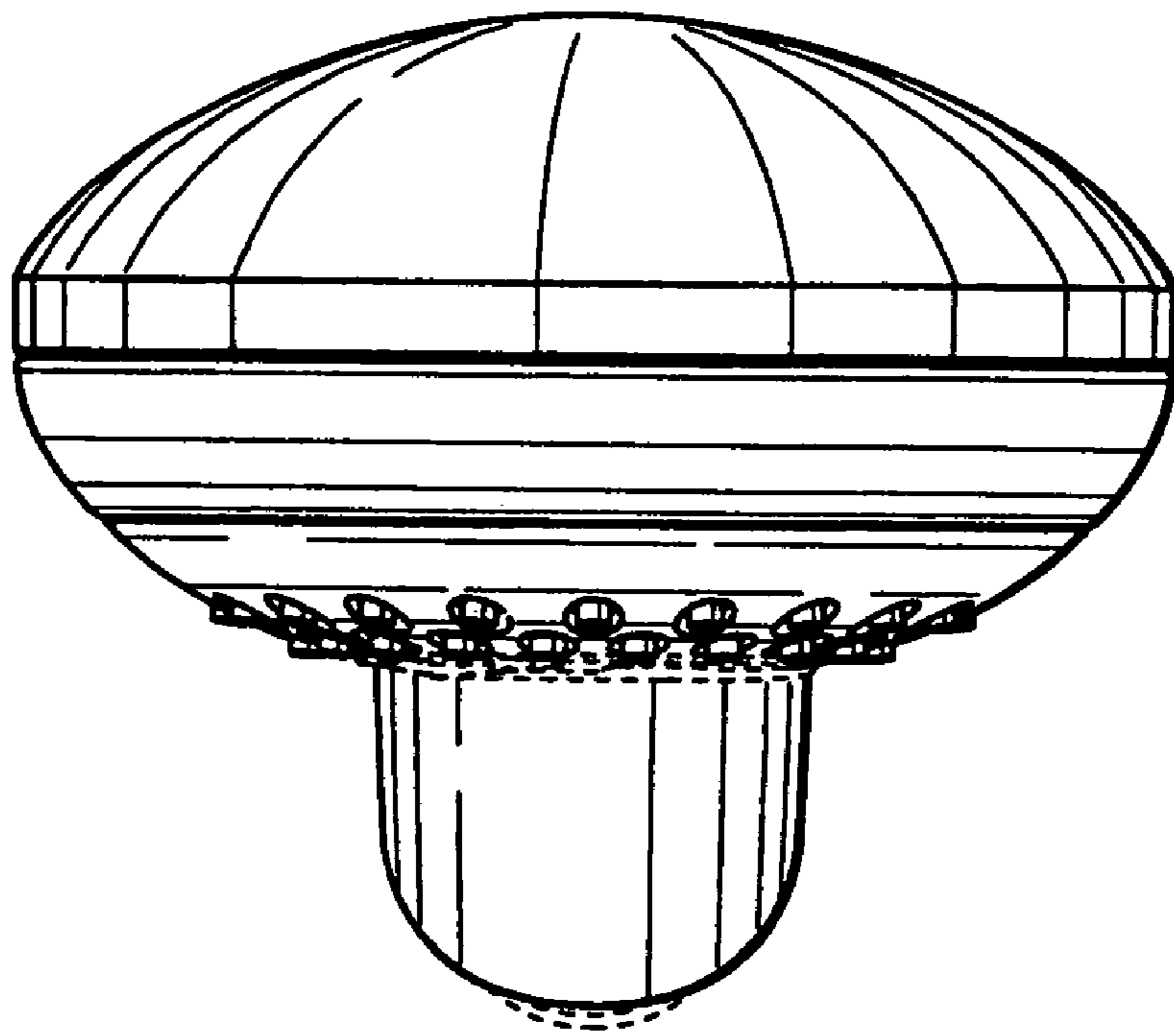


FIG. 2

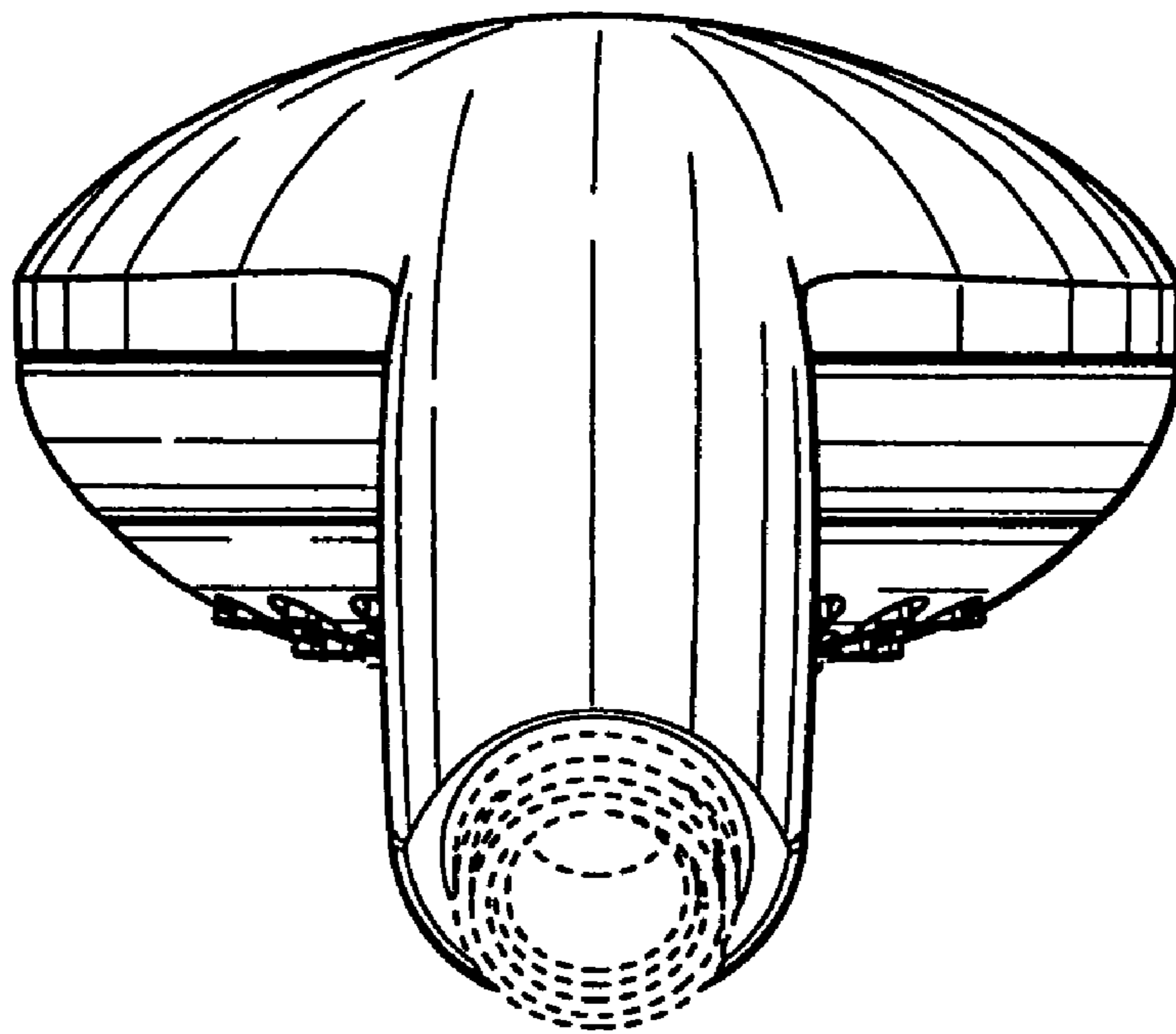


FIG. 3

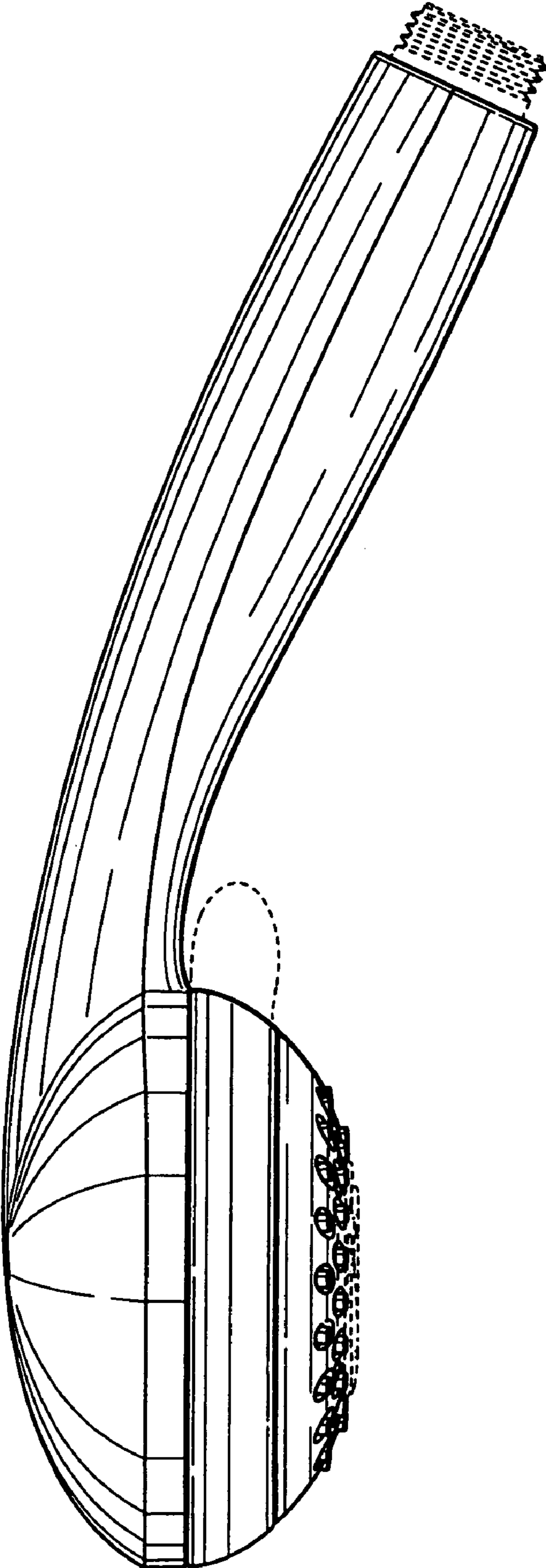


FIG. 4

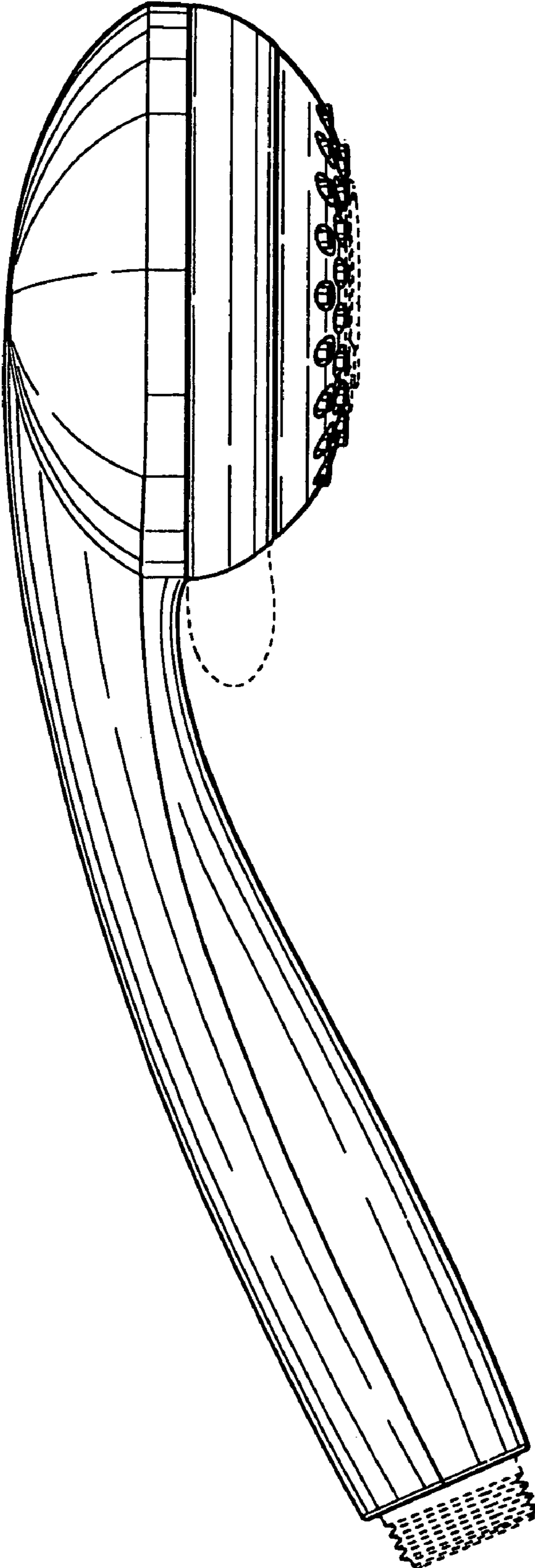
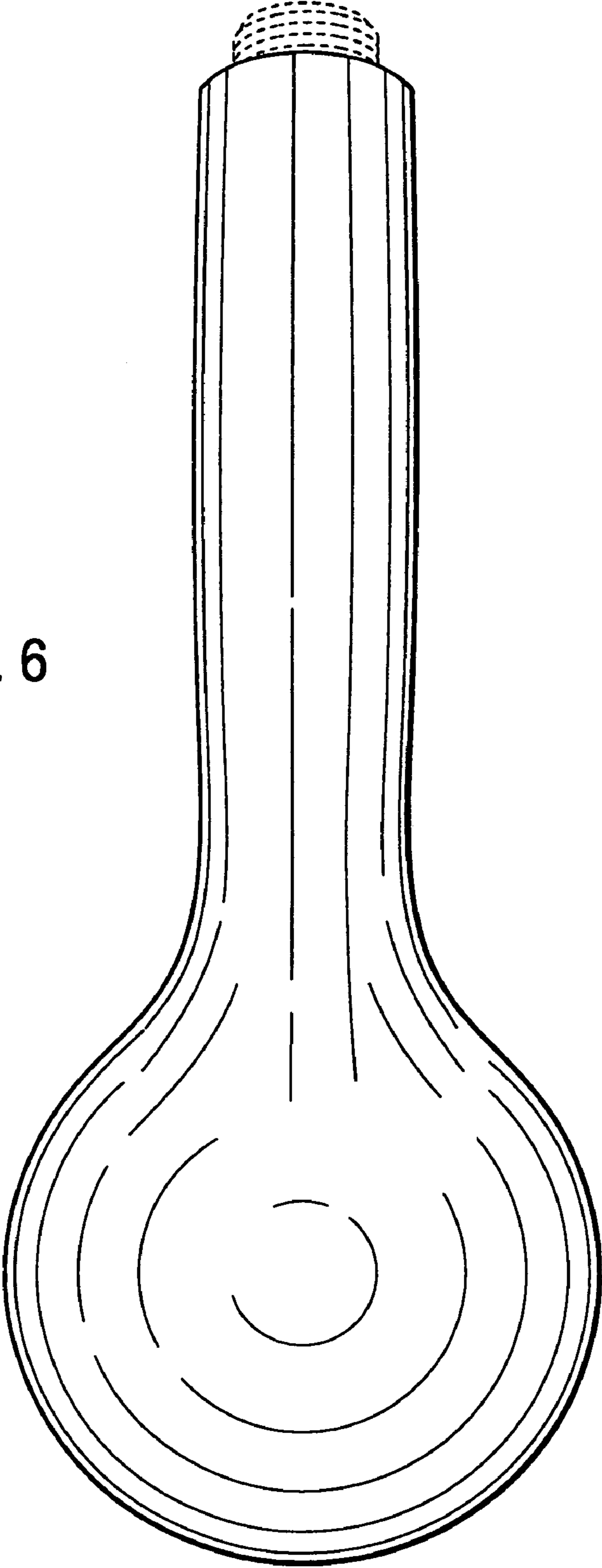


FIG. 5

FIG. 6



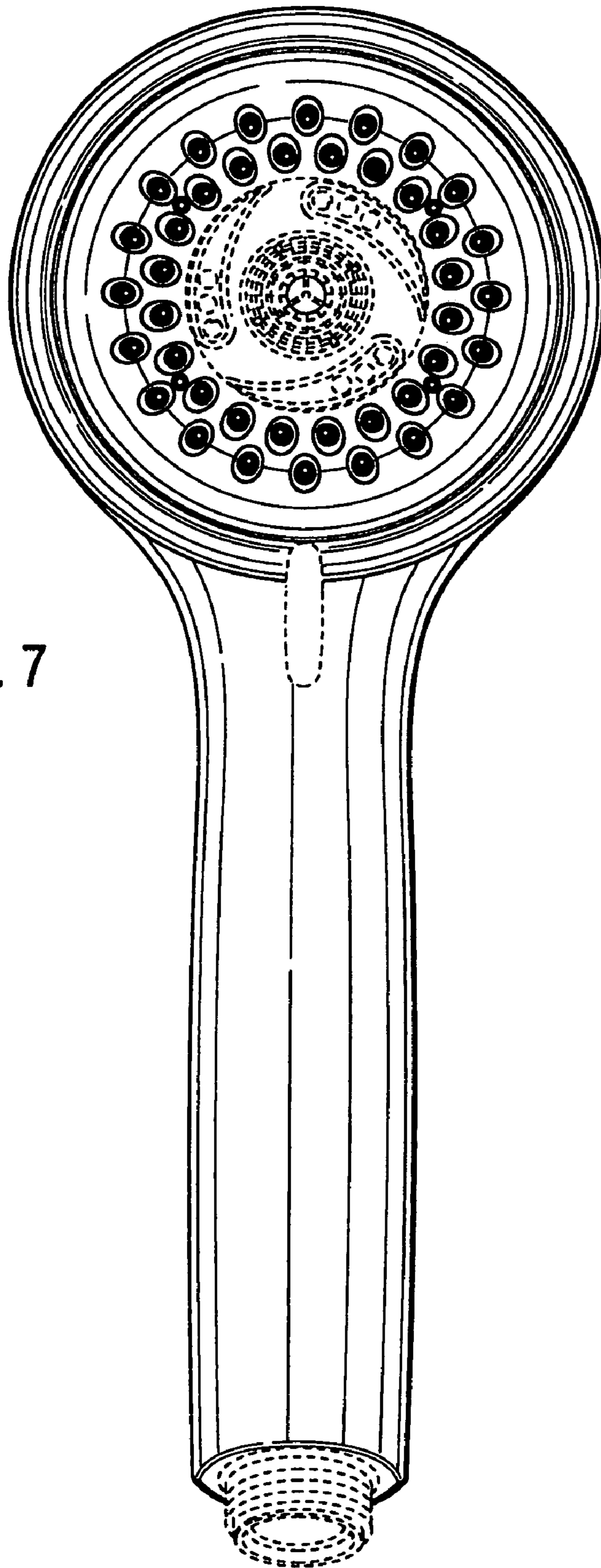


FIG. 7