



US00D581483S

(12) **United States Design Patent**
Bass et al.

(10) **Patent No.:** **US D581,483 S**
(45) **Date of Patent:** **** Nov. 25, 2008**

(54) **SPRAY GUN**

(75) Inventors: **Gary S. Bass**, Independence, KY (US);
Ronald J. Mulford, Aurora, IN (US);
Christopher Gruber, Cincinnati, OH
(US); **Christopher D. Klein**, Cincinnati,
OH (US)

(73) Assignee: **Campbell Hausfeld/Scott Fetzer
Company**, Harrison, OH (US)

(**) Term: **14 Years**

(21) Appl. No.: **29/304,304**

(22) Filed: **Feb. 28, 2008**

(51) **LOC (8) Cl.** **23-01**

(52) **U.S. Cl.** **D23/223; D23/226**

(58) **Field of Classification Search** D23/213,
D23/223, 226; 239/525-6, 291, 690-1
See application file for complete search history.

(56) **References Cited**

U.S. PATENT DOCUMENTS

D133,394 S	8/1942	Sundberg et al.	
3,796,376 A	3/1974	Farnsteiner	
D305,453 S	1/1990	Morgan	
D341,186 S *	11/1993	Albers	D23/226
D372,517 S	8/1996	Farnsteiner	
D405,503 S *	2/1999	Endo	D23/226
7,175,110 B2 *	2/2007	Vicentini	239/526
D538,886 S *	3/2007	Huang	D23/226
D552,715 S *	10/2007	Schmon et al.	D23/226
D553,710 S *	10/2007	Huang	D23/223

OTHER PUBLICATIONS

Picture of Campbell Hausfeld "General Purpose Spray Gun" model DH5300, downloaded from Campbell Hausfeld website at www.chpower.com on Feb. 8, 2008.

Picture of Campbell Hausfeld "Gravity Feed Spray Gun" model DH780000AV, downloaded from Campbell Hausfeld website at www.chpower.com on Feb. 8, 2008.

* cited by examiner

Primary Examiner—Robin V Webster

(74) *Attorney, Agent, or Firm*—Jones Day

(57) **CLAIM**

The ornamental design for a spray gun, as shown and described.

DESCRIPTION

FIG. 1 is a perspective view of a spray gun in accordance with a first embodiment of the ornamental design of the present invention.

FIG. 2 is a side view thereof.

FIG. 3 is an opposite side view thereof.

FIG. 4 is a front view thereof.

FIG. 5 is a rear view thereof.

FIG. 6 is a top view thereof.

FIG. 7 is a bottom view thereof.

FIG. 8 is a perspective view similar to FIG. 1, with the spray gun shown attached to a paint canister.

FIG. 9 is a side view of a spray gun in accordance with a second embodiment of the ornamental design of the present invention, the second embodiment differing from the first embodiment in its inclusion of a groove pattern along the rear surface of the spray gun's handle.

FIG. 10 is an opposite side view thereof; and,

FIG. 11 is a rear view thereof.

The broken lines in the figures are for illustrative purposes only and form no part of the claimed design.

FIGS. 12-21 are included in this application as originally filed in accordance with paragraph (A) of MPEP 1503.01 (II), to provide antecedent basis for possible future amendments to FIGS. 1-11. Applicants intend to delete FIGS. 12-21 and this paragraph from this application before this application issues.

1 Claim, 17 Drawing Sheets

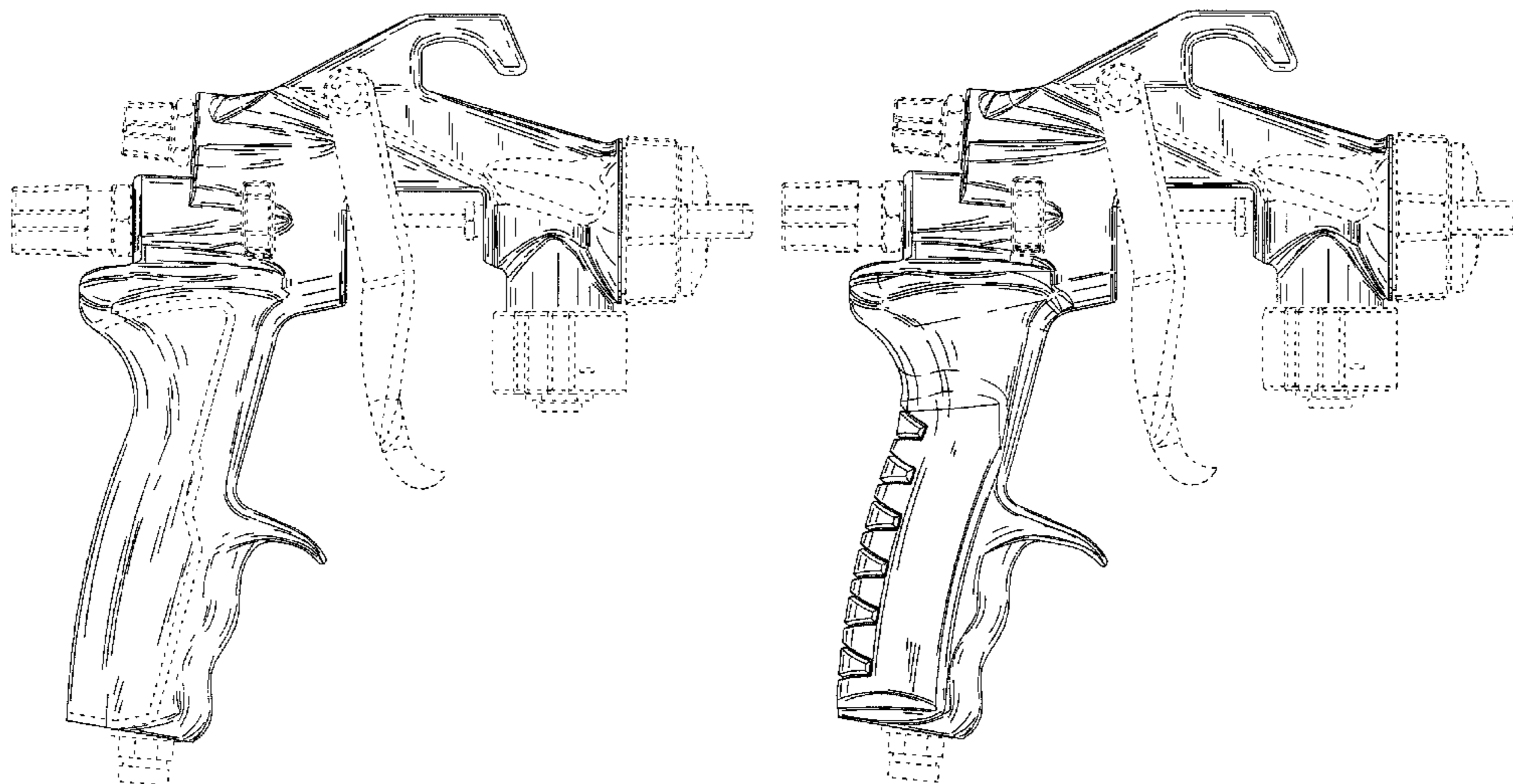
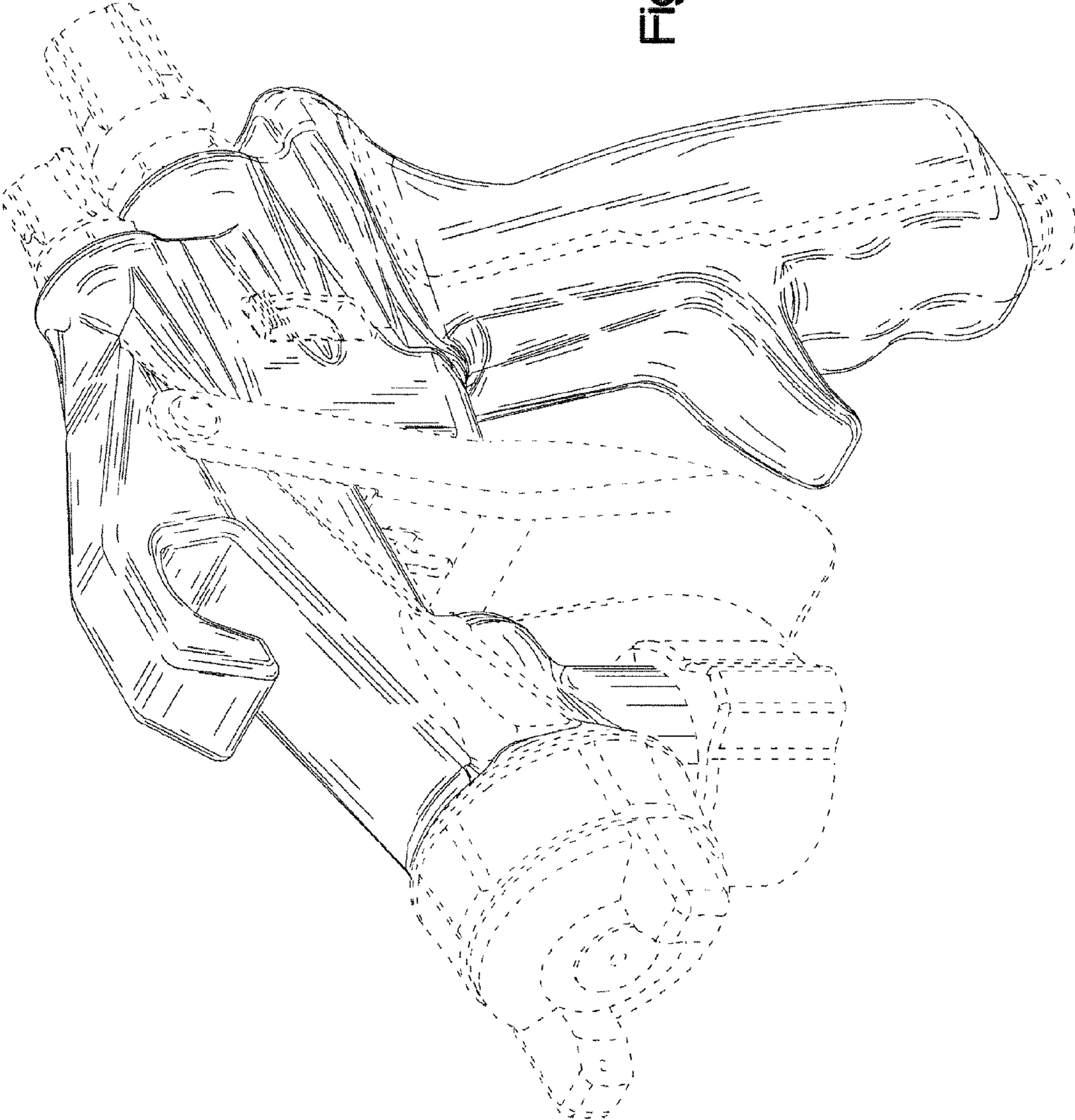


Fig.1



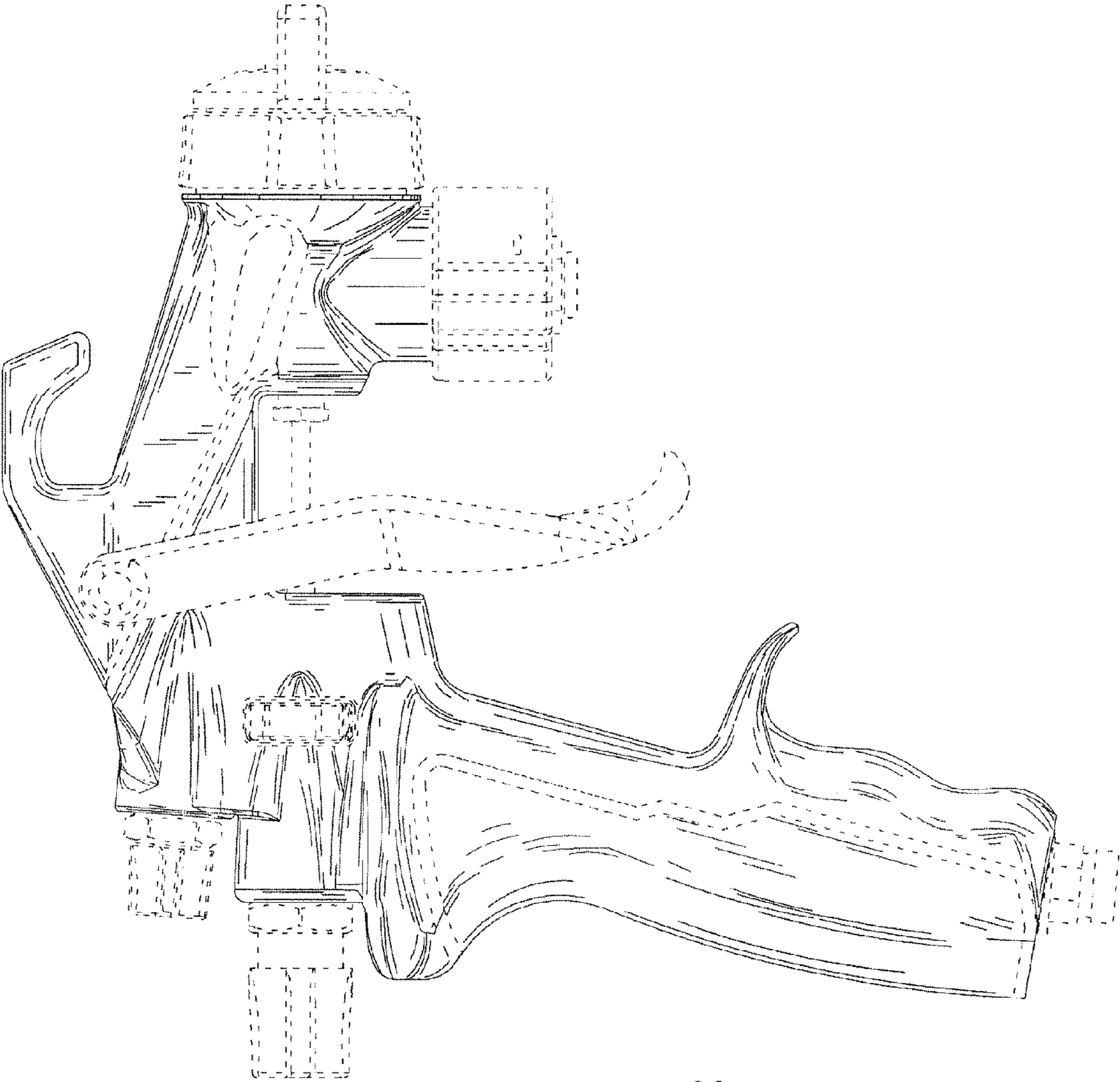
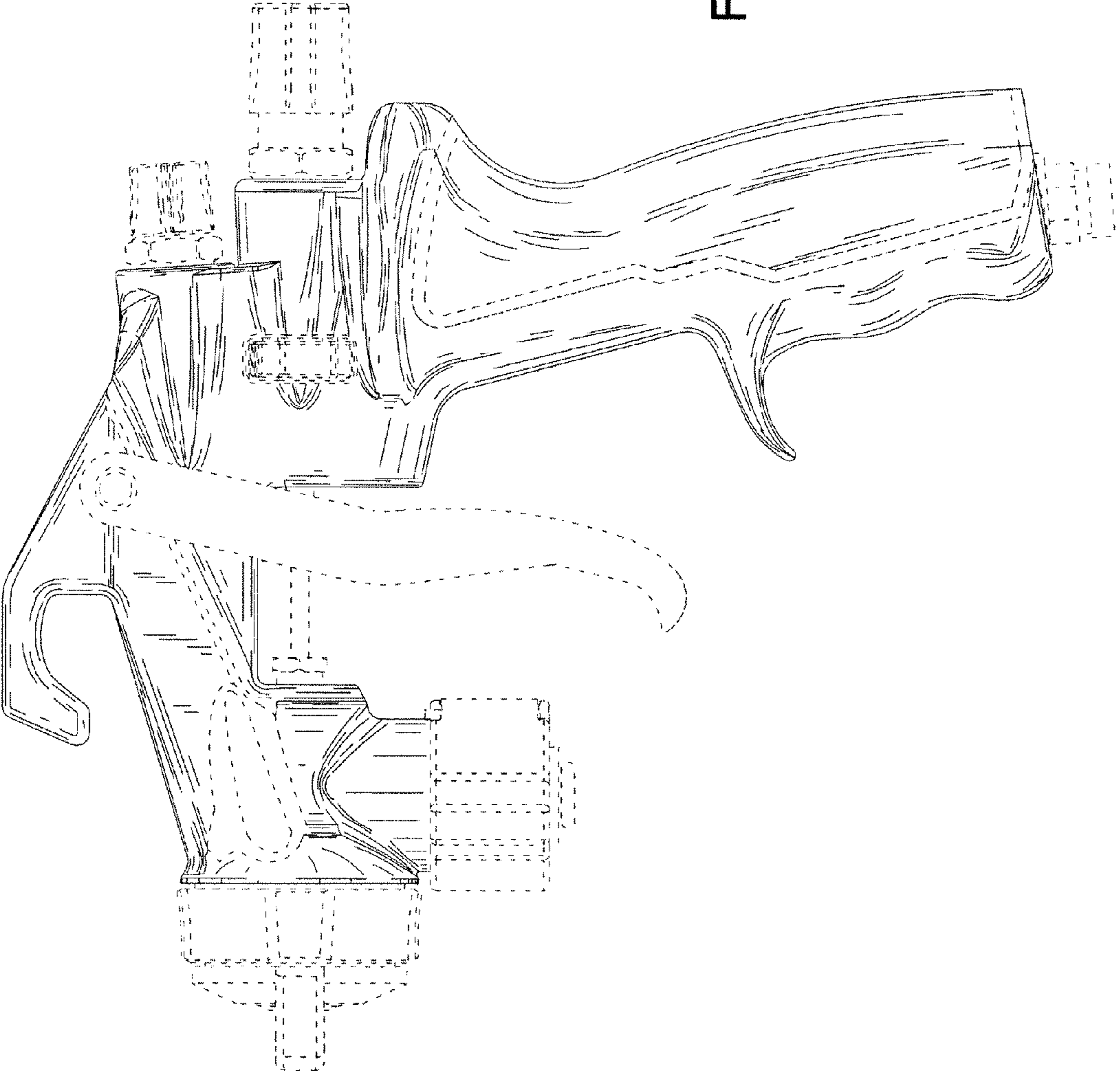


Fig.2

Fig.3



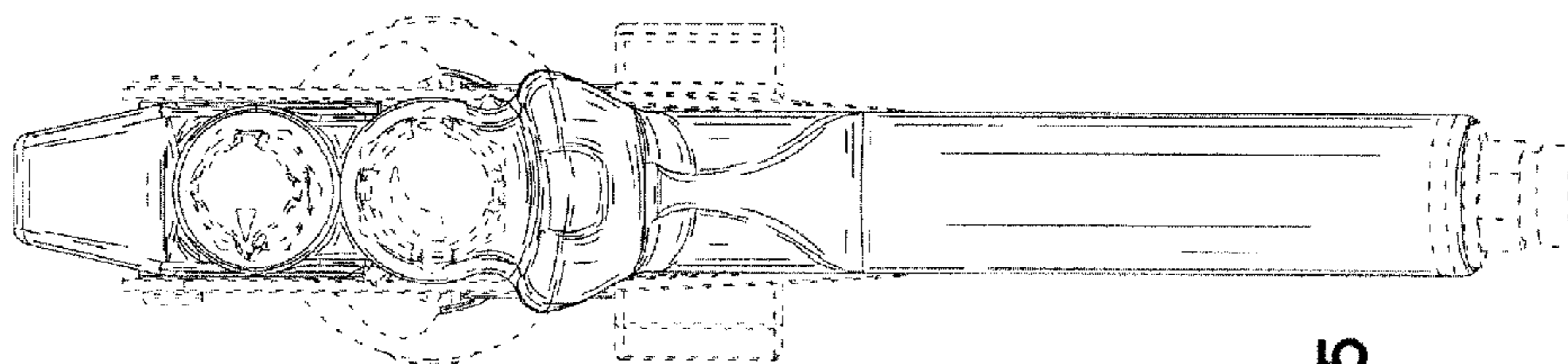


Fig.5

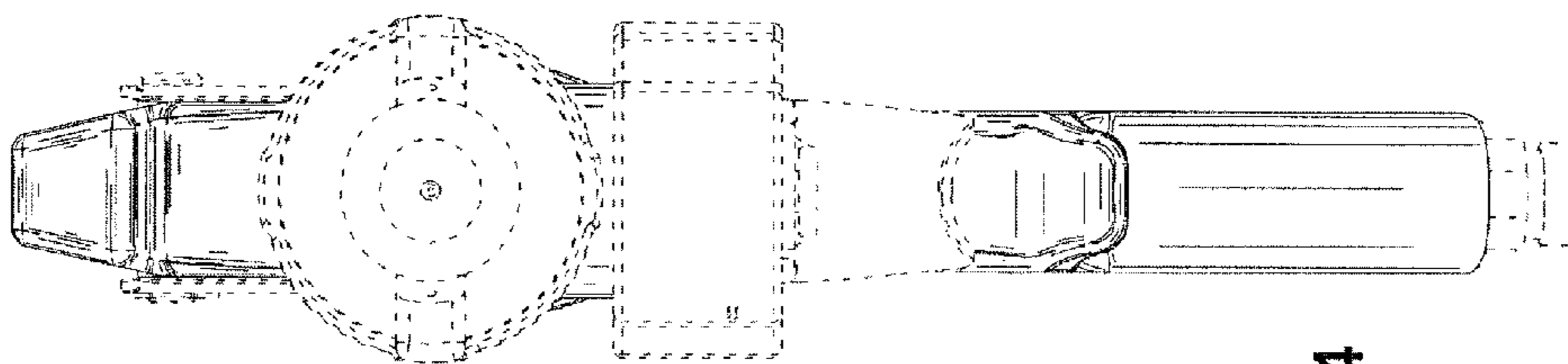


Fig.4

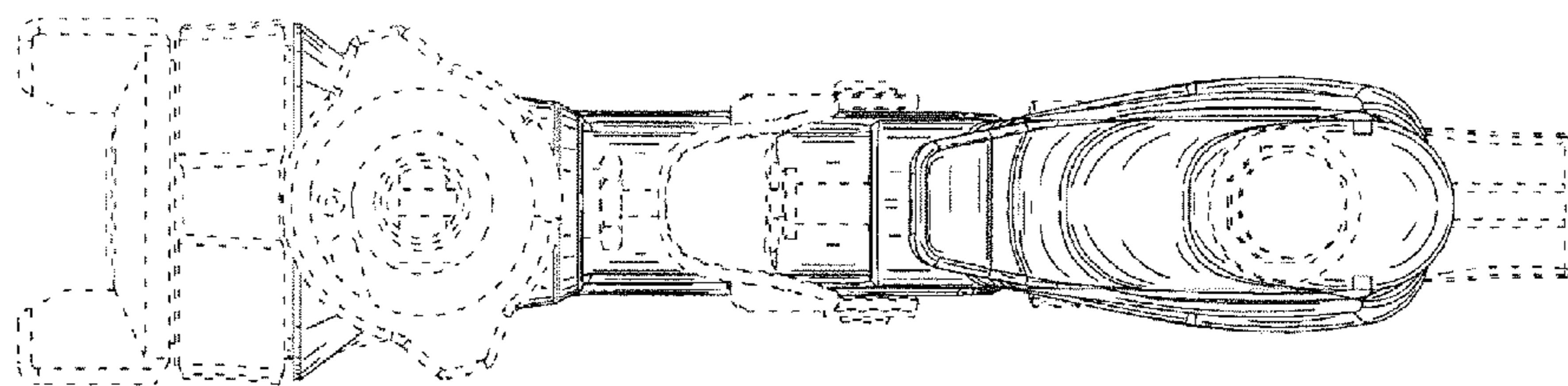


Fig.7

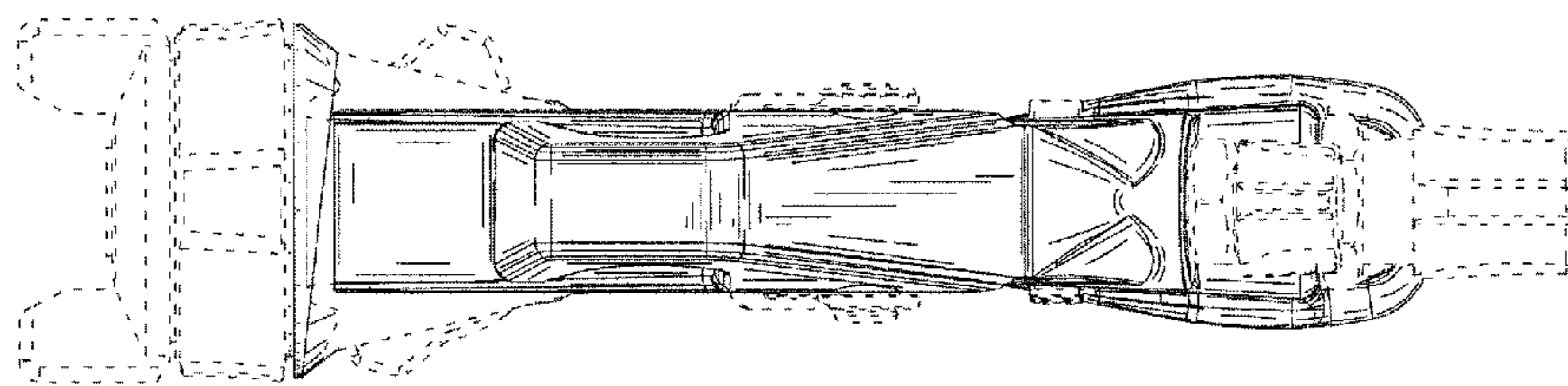


Fig.6

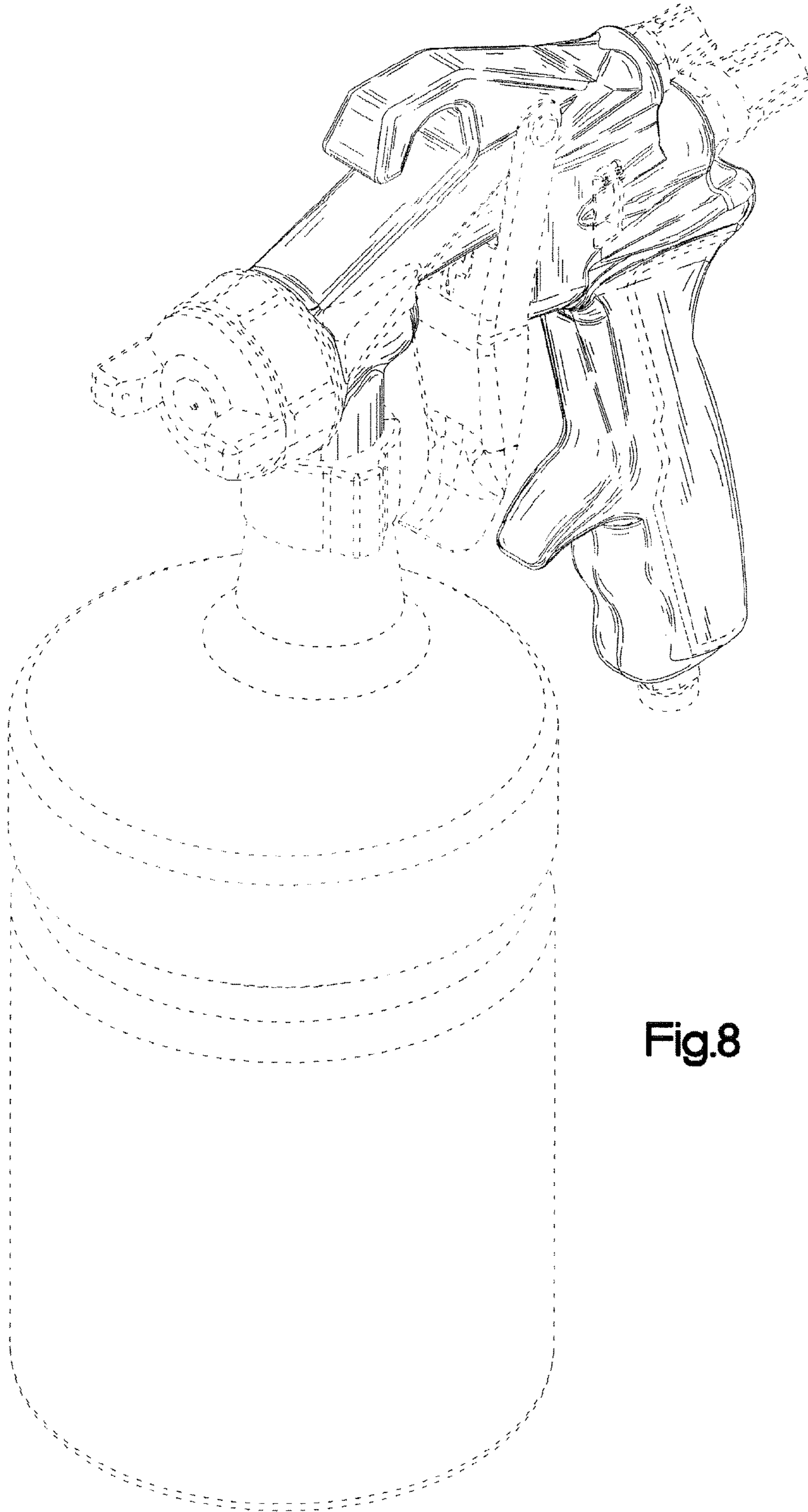


Fig.8

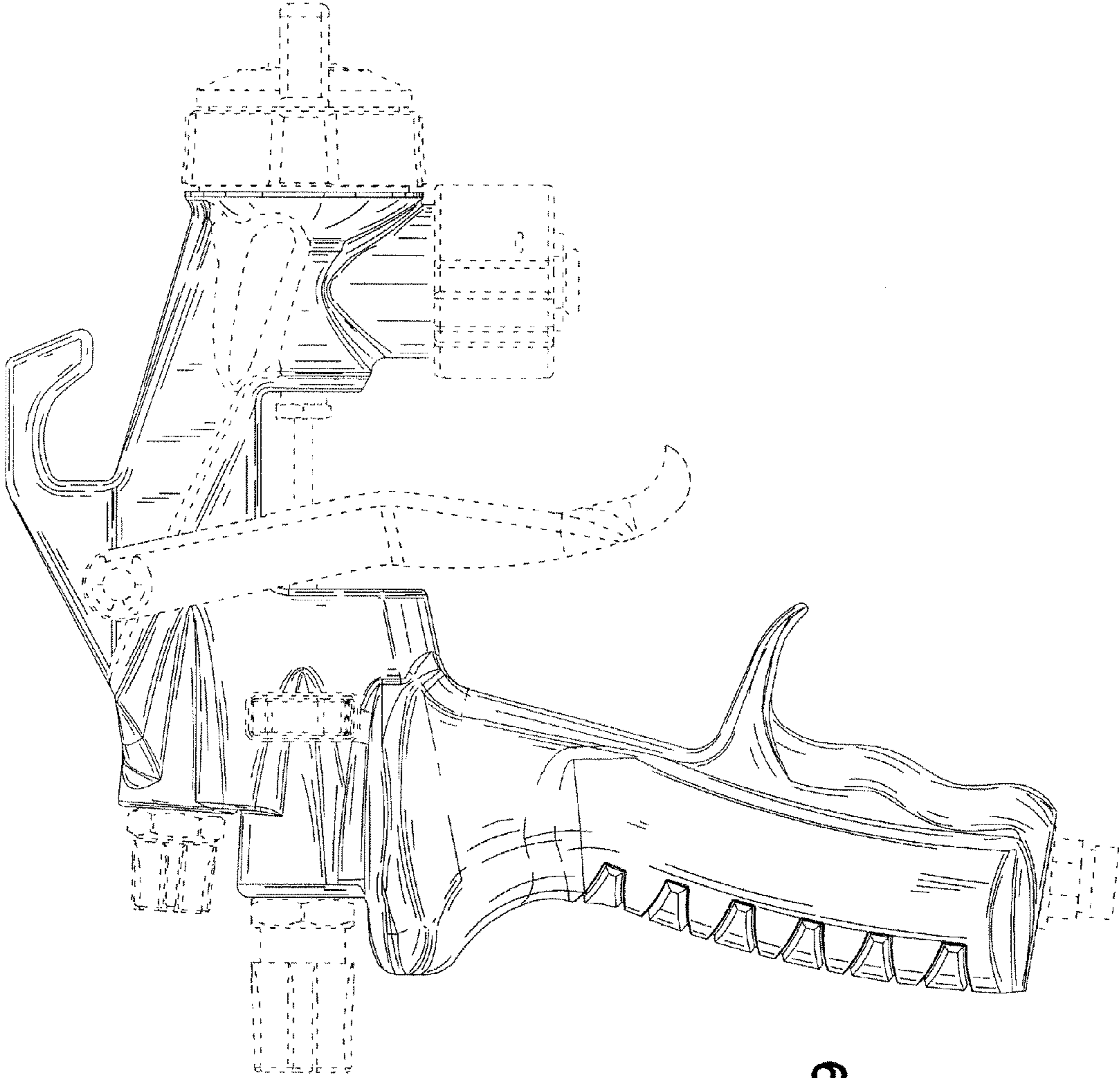
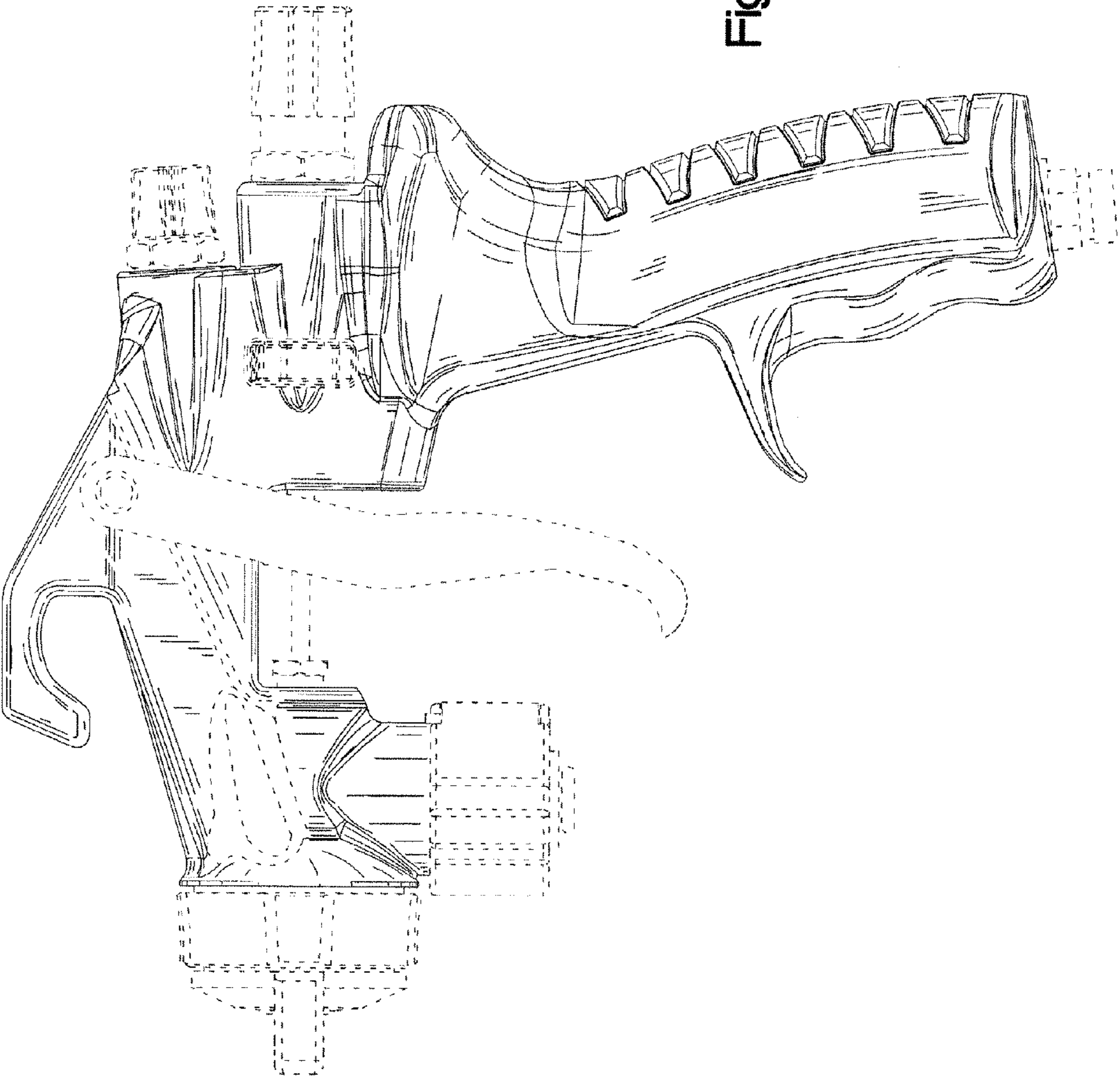


Fig.9

Fig.10



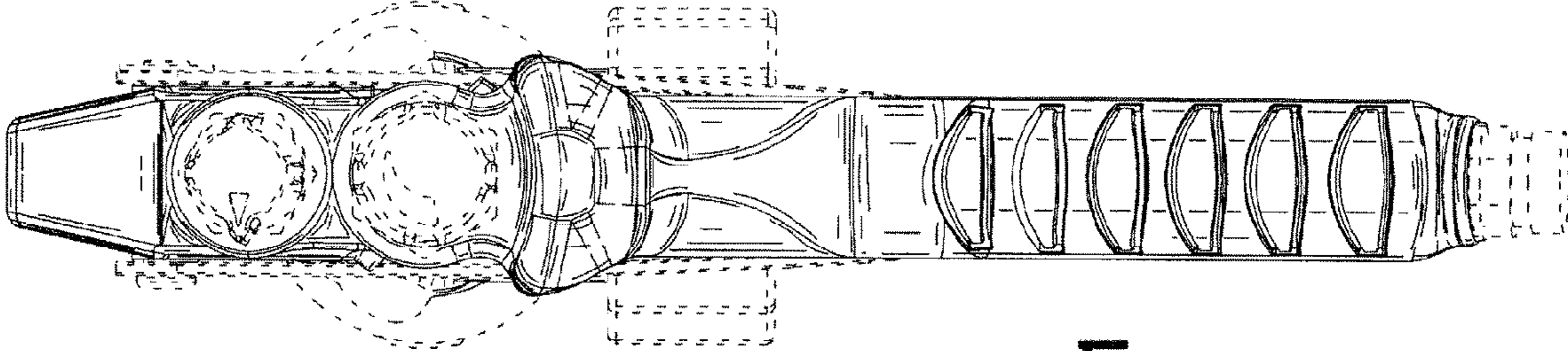
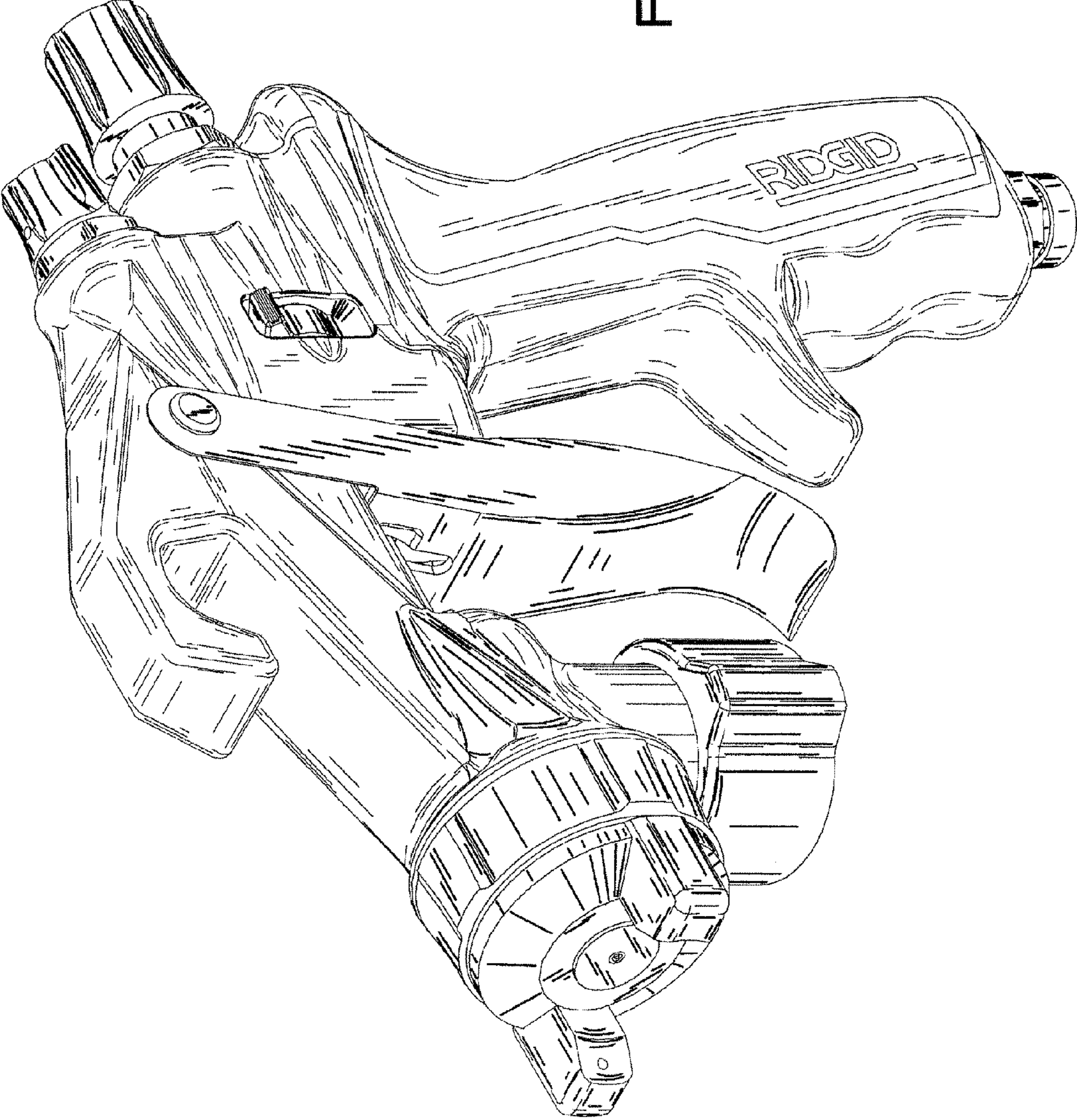


Fig.11

Fig.12



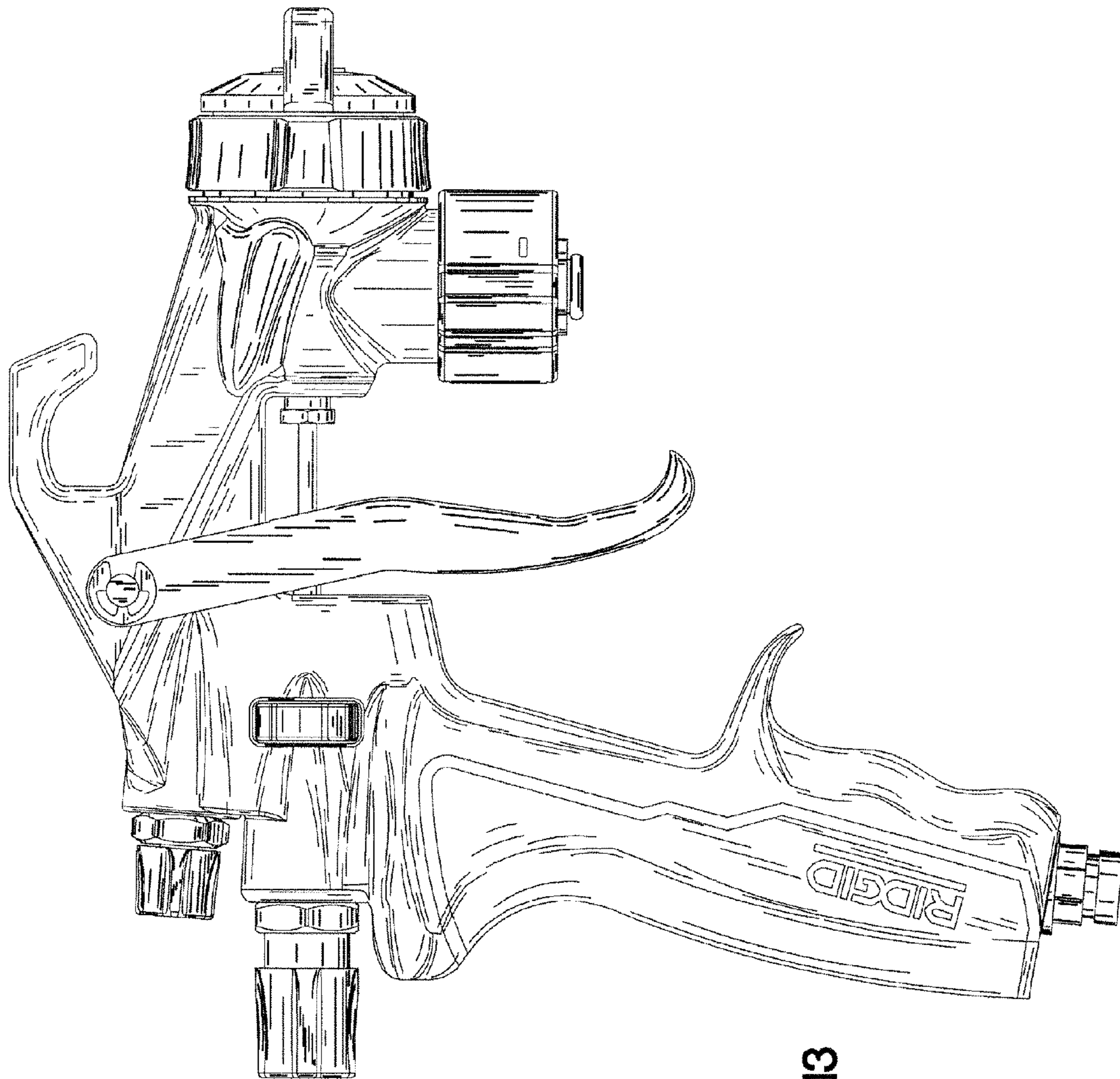
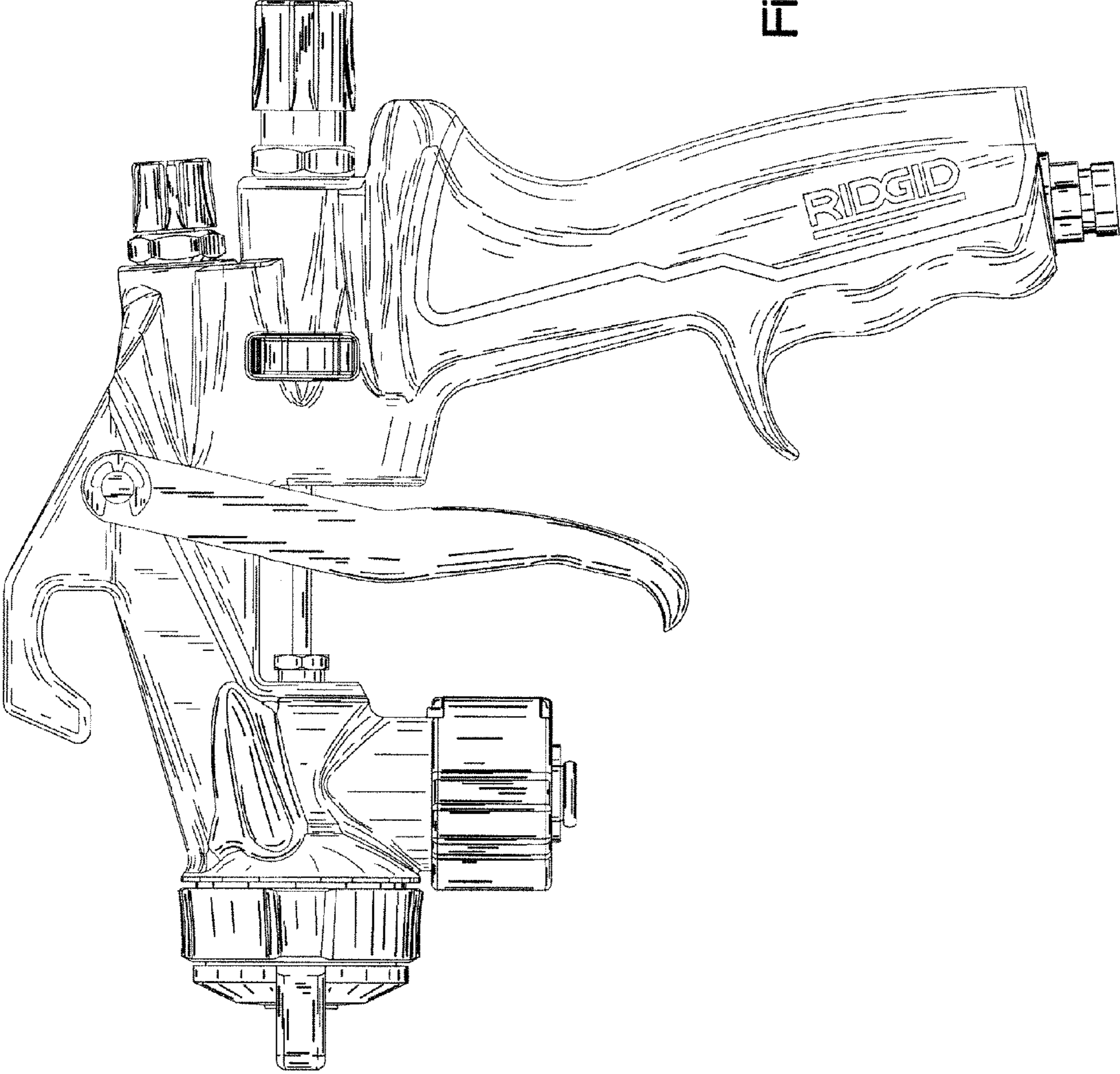


Fig.13

Fig.14



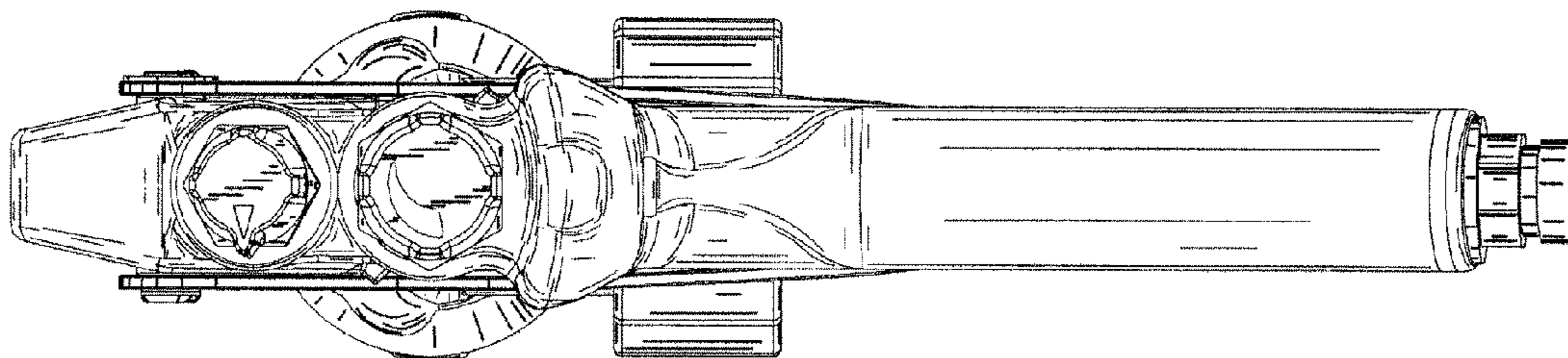


Fig.16

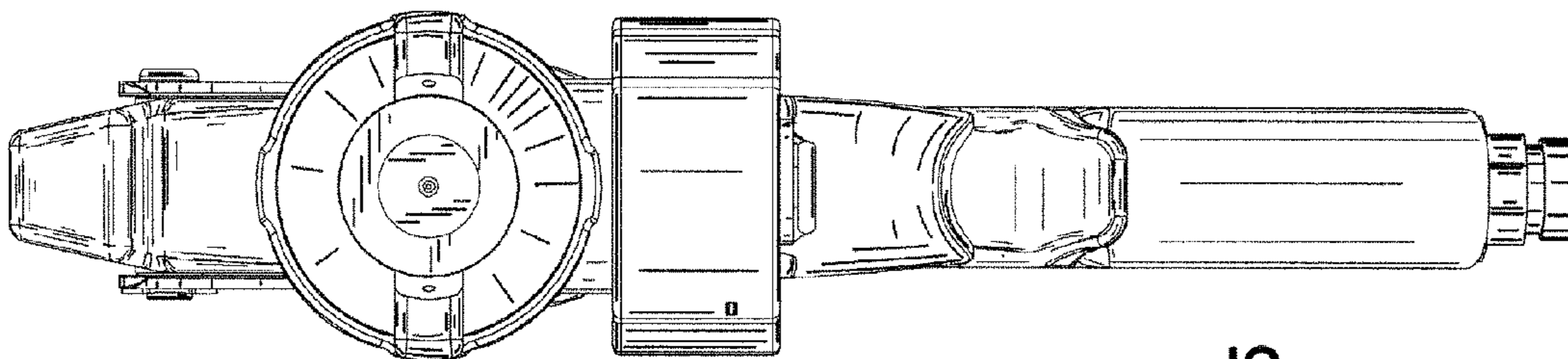


Fig.15

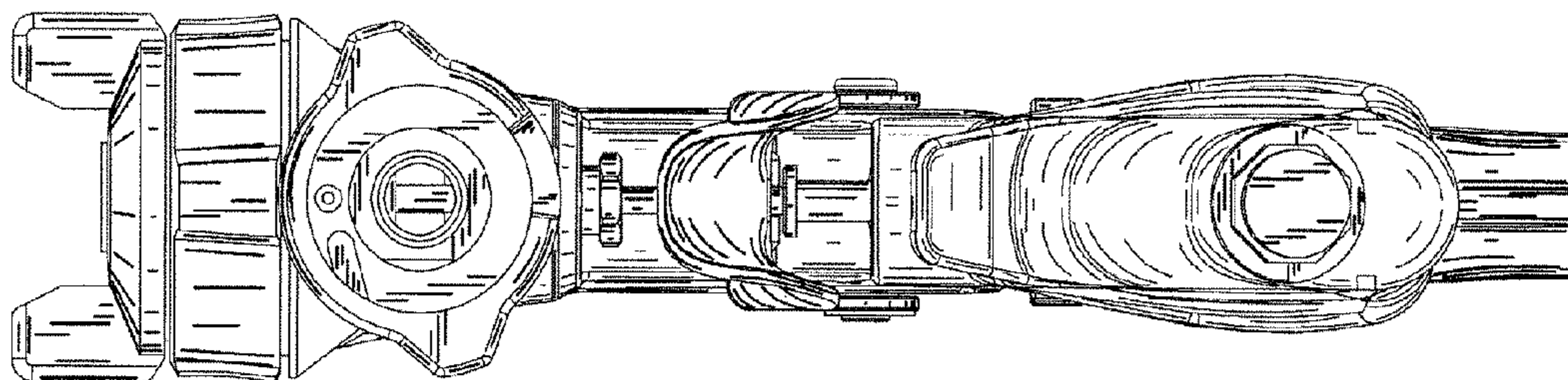


Fig.18

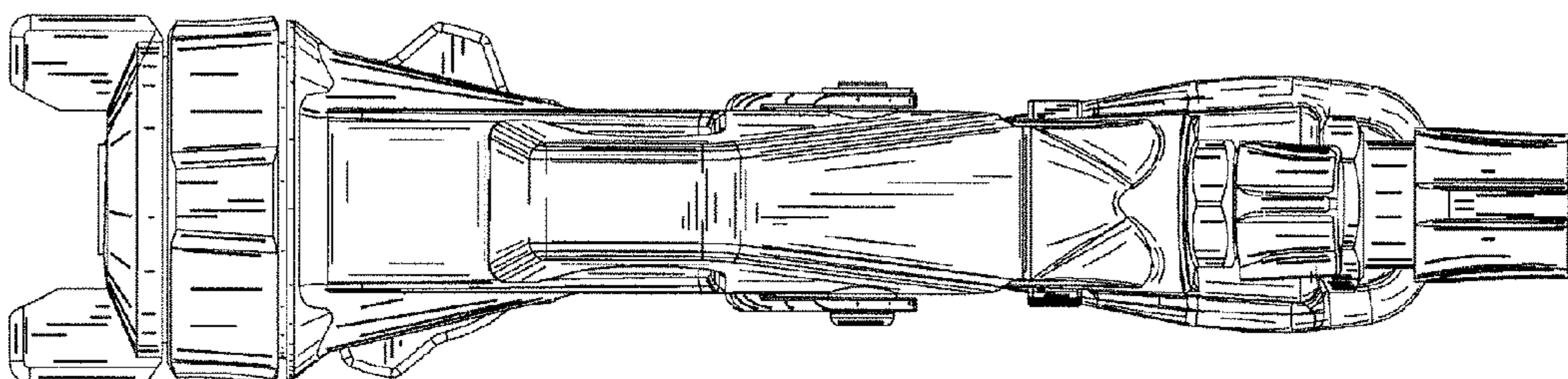


Fig.17

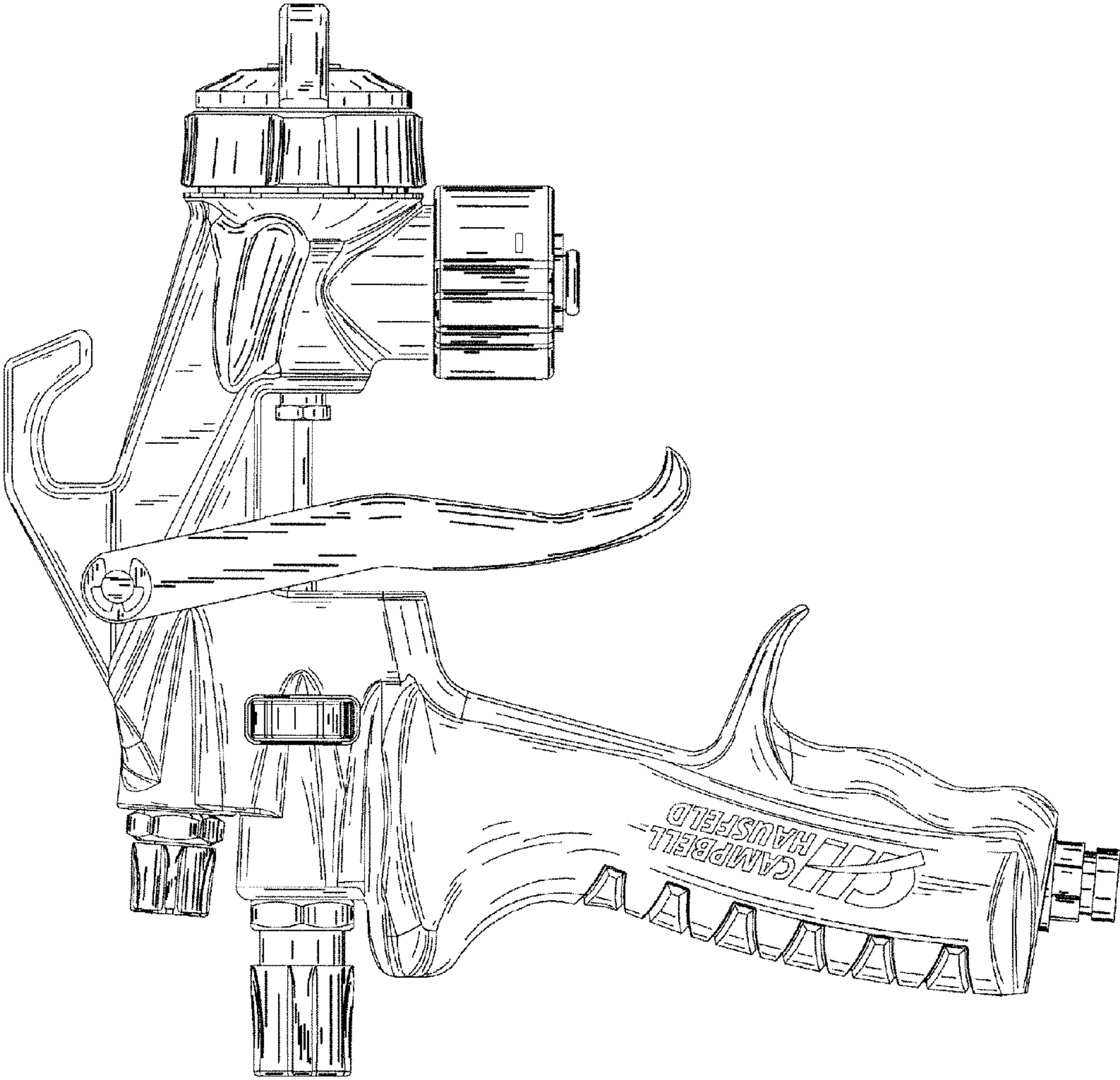
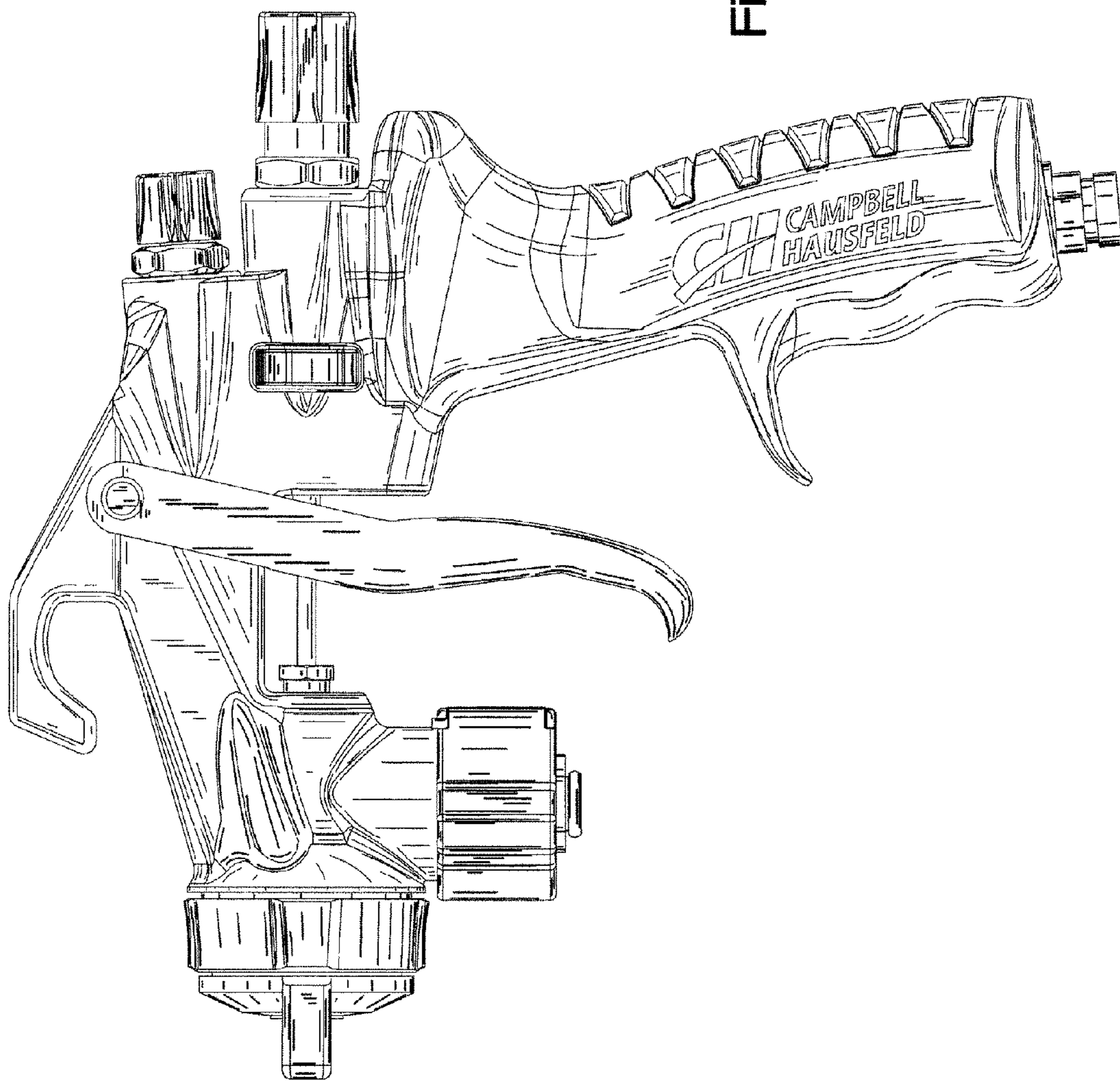


Fig.19

Fig.20



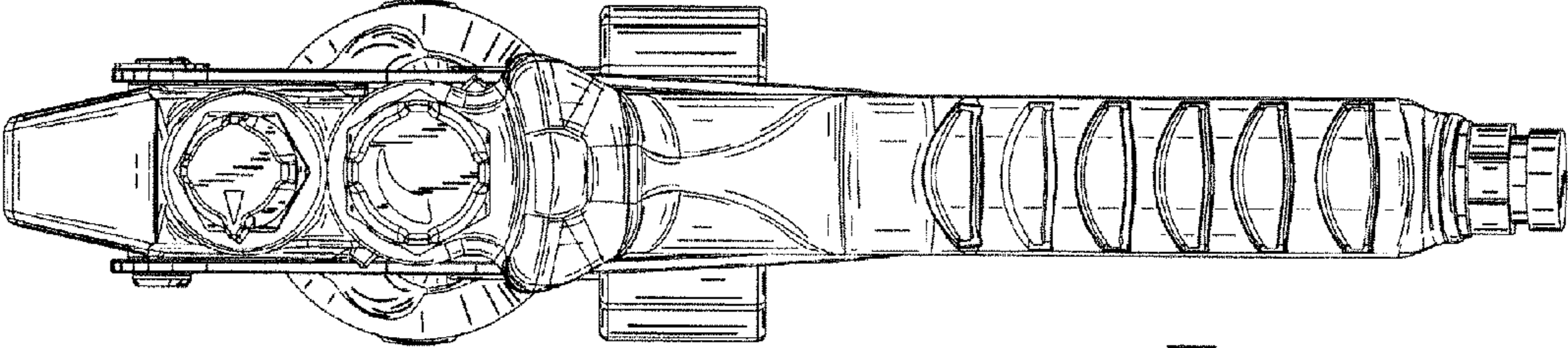


Fig.21