



US00D581479S

(12) **United States Design Patent**  
**Caserta et al.**

(10) **Patent No.:** **US D581,479 S**  
(45) **Date of Patent:** **\*\* Nov. 25, 2008**

(54) **ELECTRIC DEVICE FOR KILLING INSECTS**

D526,696 S \* 8/2006 Boyd et al. .... D22/120

(75) Inventors: **Andrea Caserta**, Barcelona (ES);  
**Ruben Garcia Fábrega**, Barcelona  
(ES); **Ricard Tomás Vilarasa**, Barcelona  
(ES)

\* cited by examiner

*Primary Examiner*—Catherine R Oliver  
(74) *Attorney, Agent, or Firm*—Fulwider Patton LLP

(73) Assignee: **Zobelespana, S.A.** (ES)

(57) **CLAIM**

(\*\*) Term: **14 Years**

The ornamental design for an electric device for killing insects, as shown and described.

(21) Appl. No.: **29/263,693**

**DESCRIPTION**

(22) Filed: **Jul. 26, 2006**

FIG. 1 is a rear perspective view taken from a right side of an electric device for killing insects showing our new design;

(51) **LOC (8) Cl.** ..... **22-06**

FIG. 2 is a right side view thereof;

(52) **U.S. Cl.** ..... **D22/123**

FIG. 3 is a top view thereof;

(58) **Field of Classification Search** ..... D22/119–124;  
43/112–113, 115, 121, 123–124, 1; D23/366–369,  
D23/328

FIG. 4 is a rear view thereof;

FIG. 5 is a left side view thereof;

See application file for complete search history.

FIG. 6 is a bottom view thereof;

FIG. 7 is a front view thereof;

(56) **References Cited**

**U.S. PATENT DOCUMENTS**

FIG. 8 is a front perspective view taken from the right side thereof; and,

D294,852 S \* 3/1988 Schroeder et al. .... D22/120

FIG. 9 is a rear perspective view taken from the left side thereof.

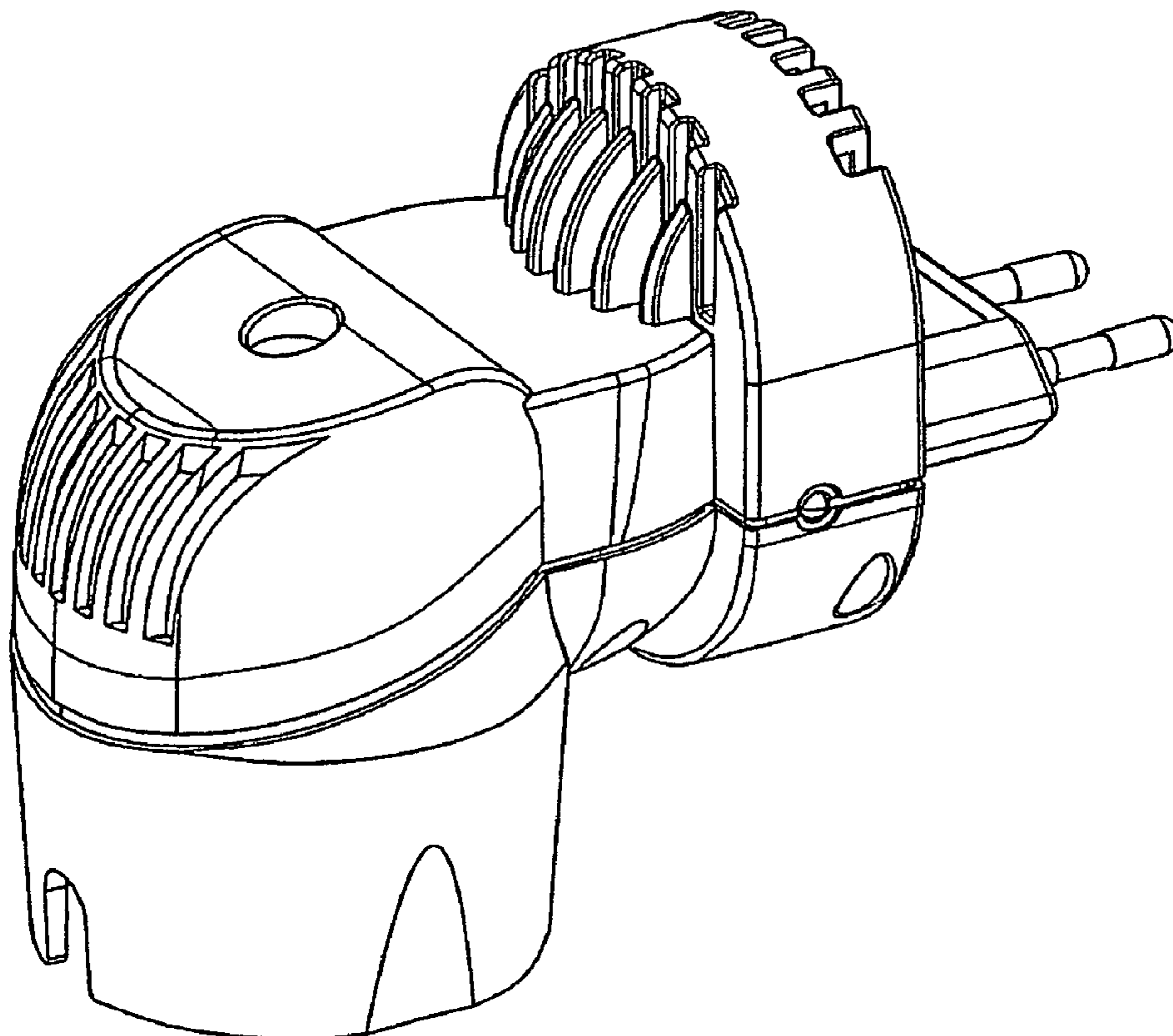
D326,305 S \* 5/1992 Wah ..... D22/123

D329,682 S \* 9/1992 Yuen ..... D22/123

D443,913 S \* 6/2001 Aiello ..... D22/123

D465,543 S \* 11/2002 Bertani ..... D22/123

**1 Claim, 9 Drawing Sheets**



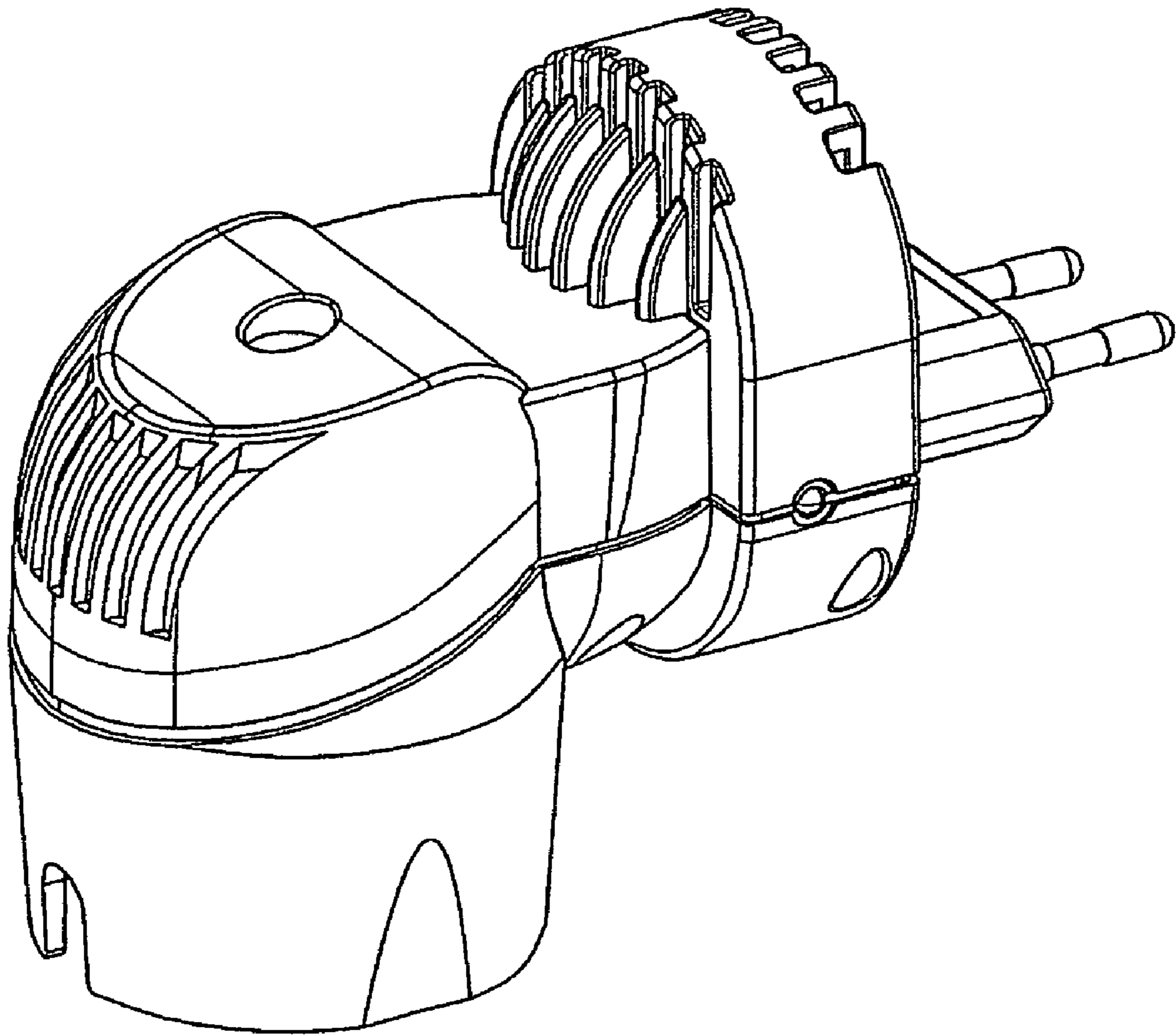


FIG. 1

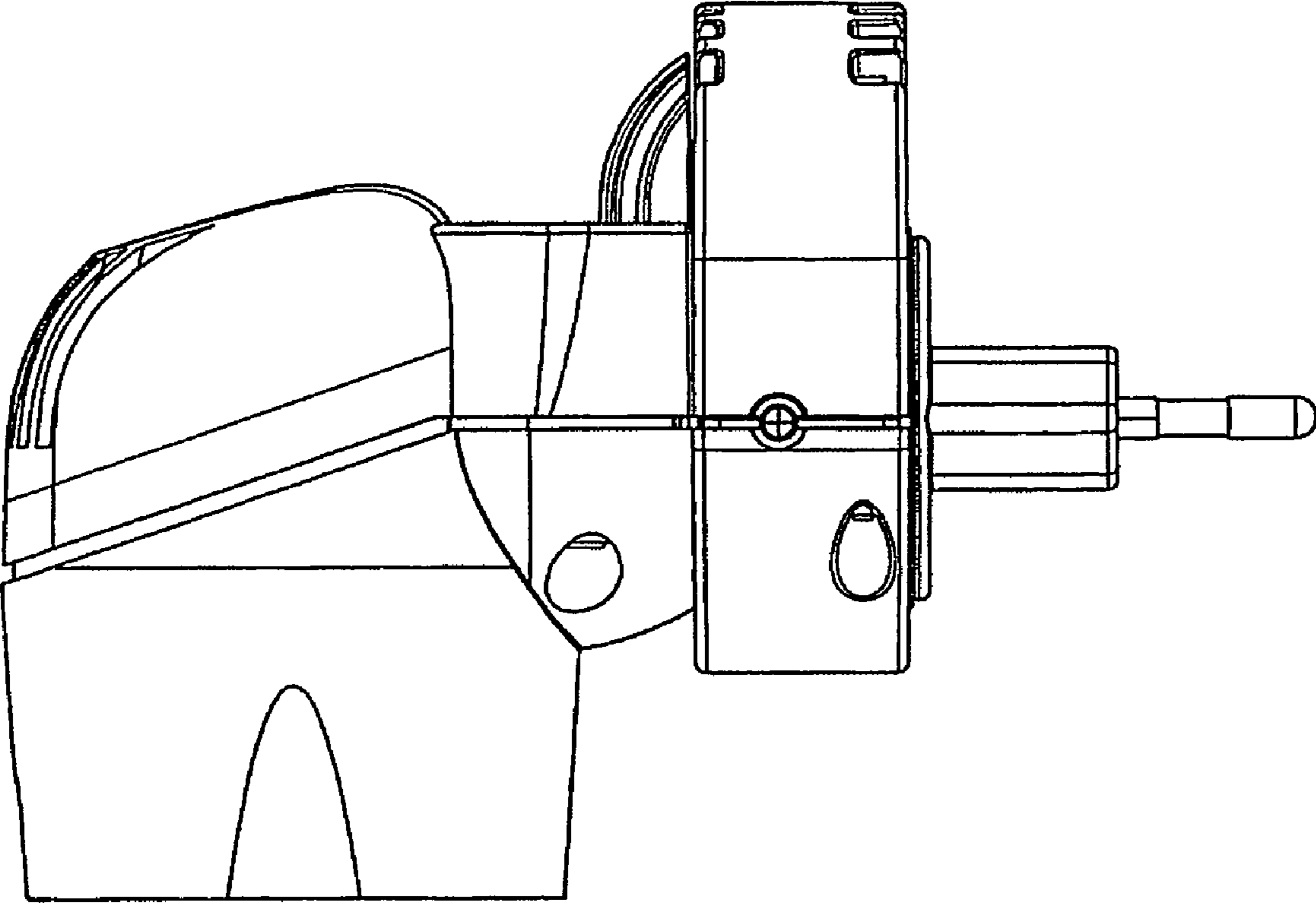


FIG. 2

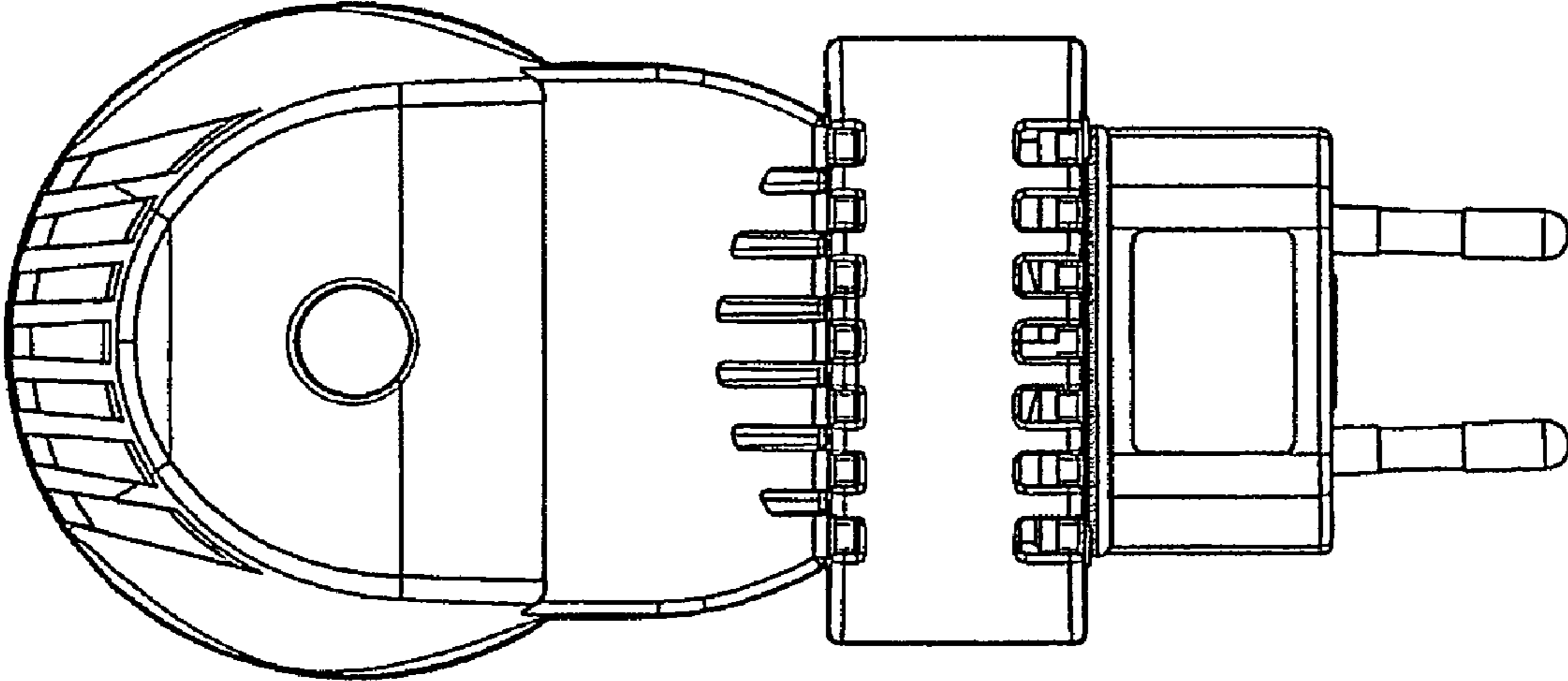


FIG. 3

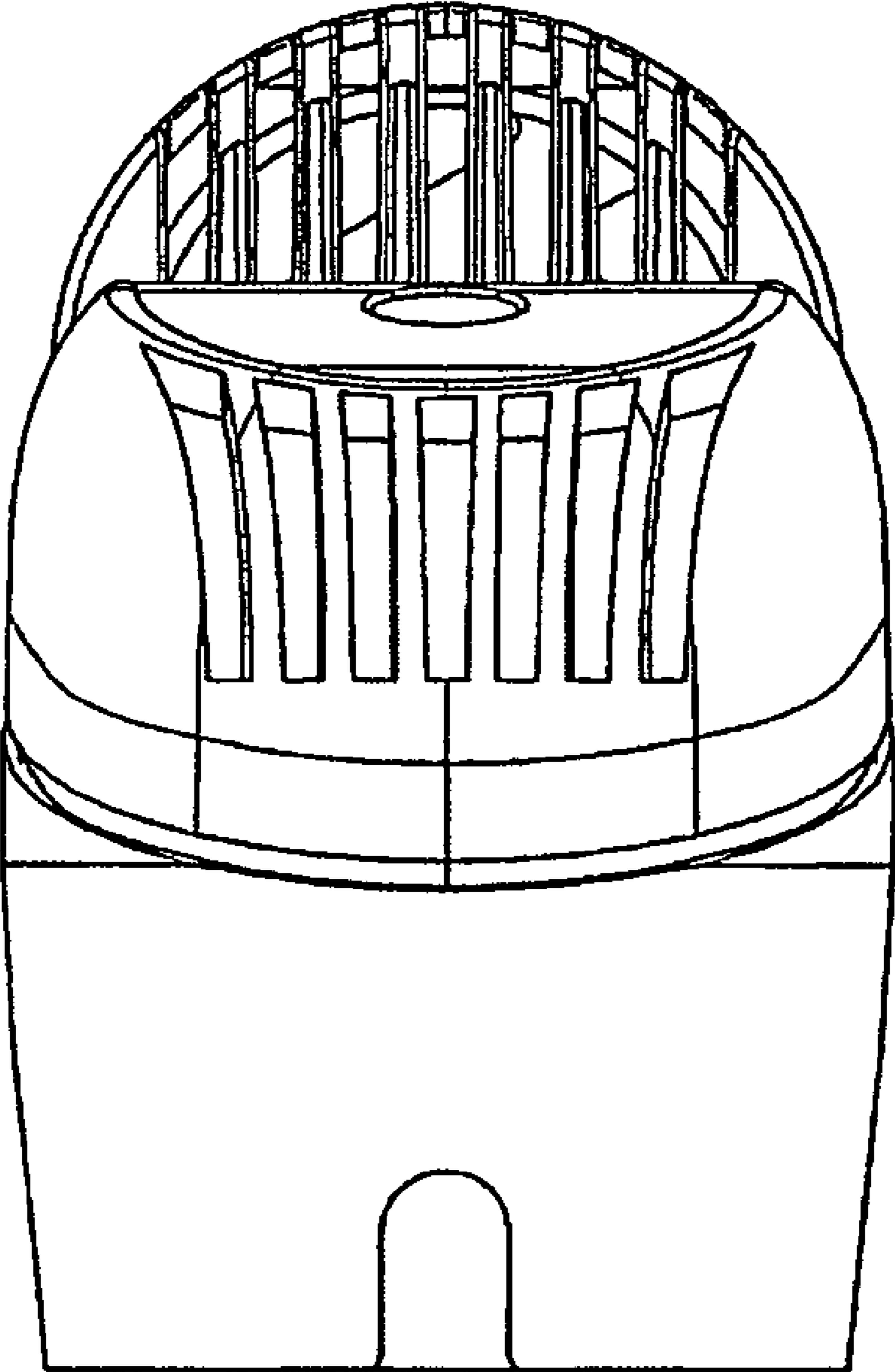


FIG. 4

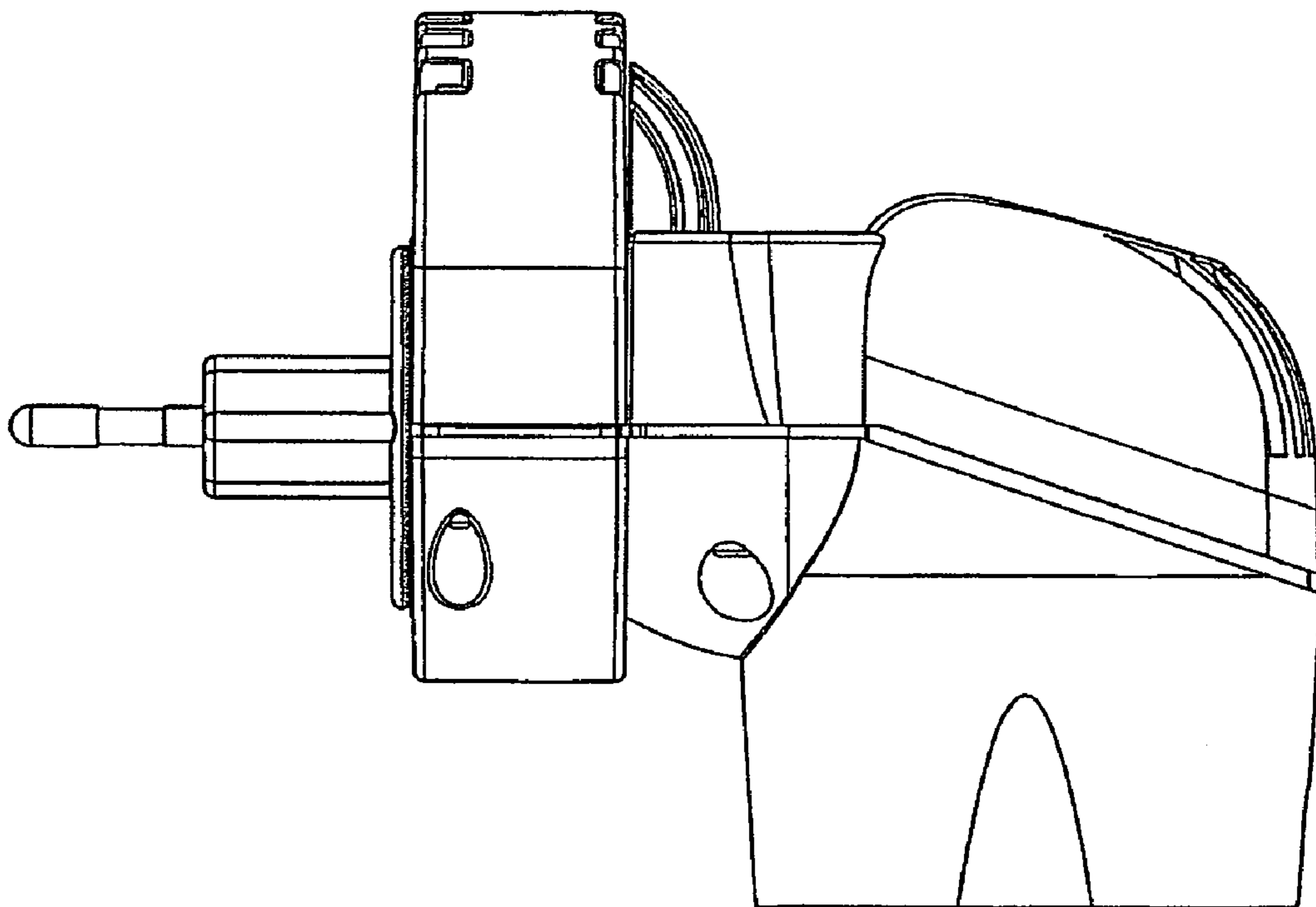


FIG. 5

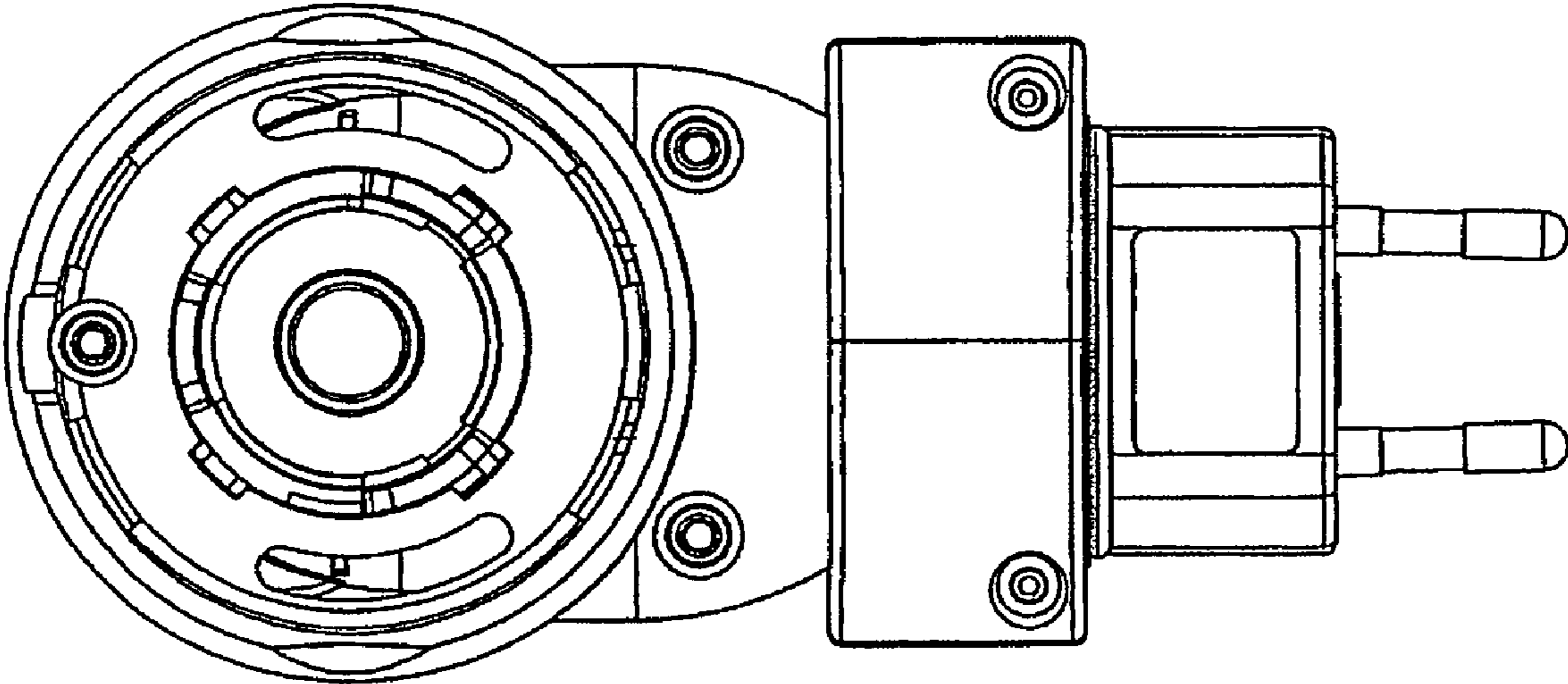


FIG. 6

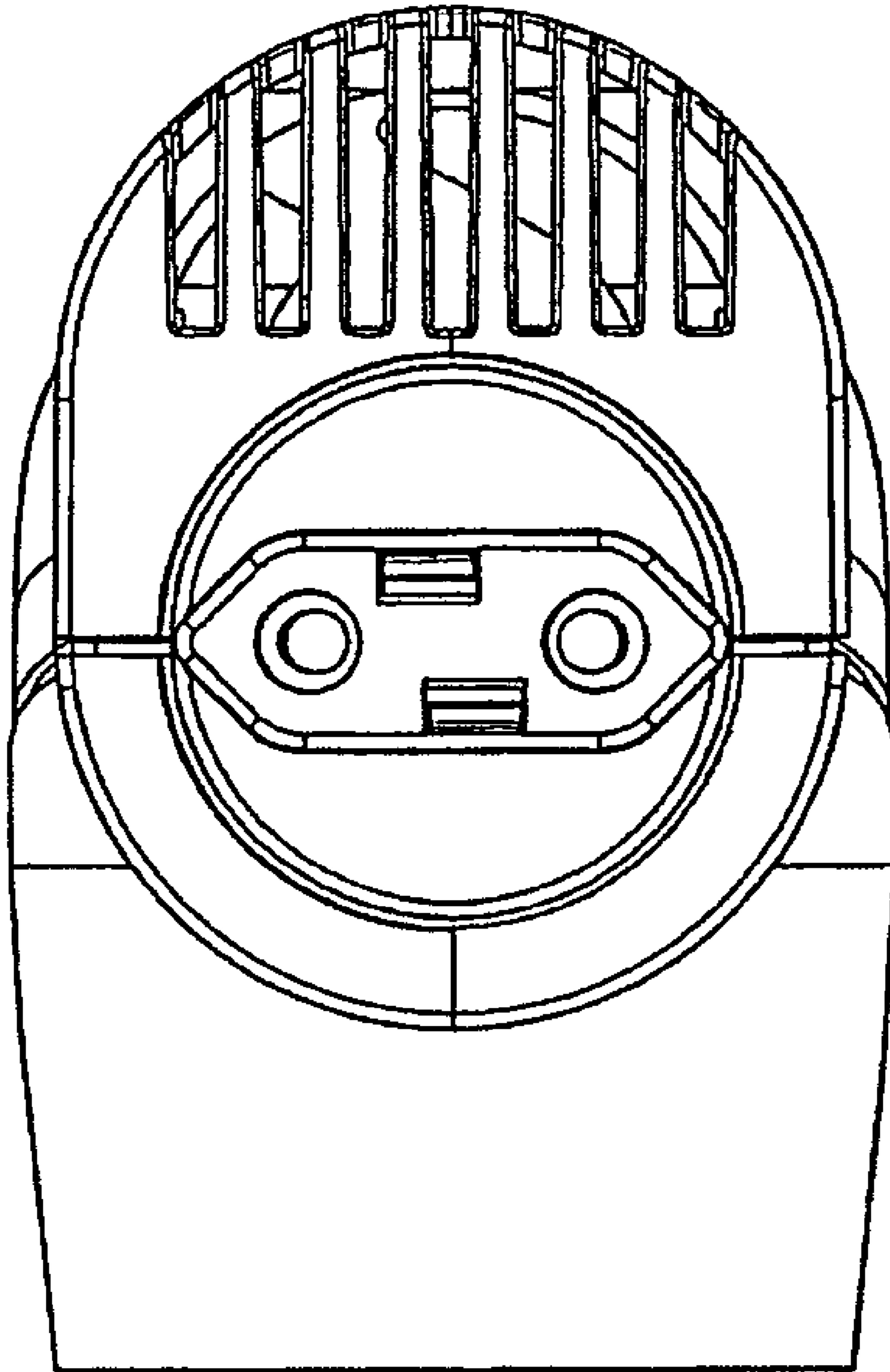


FIG. 7



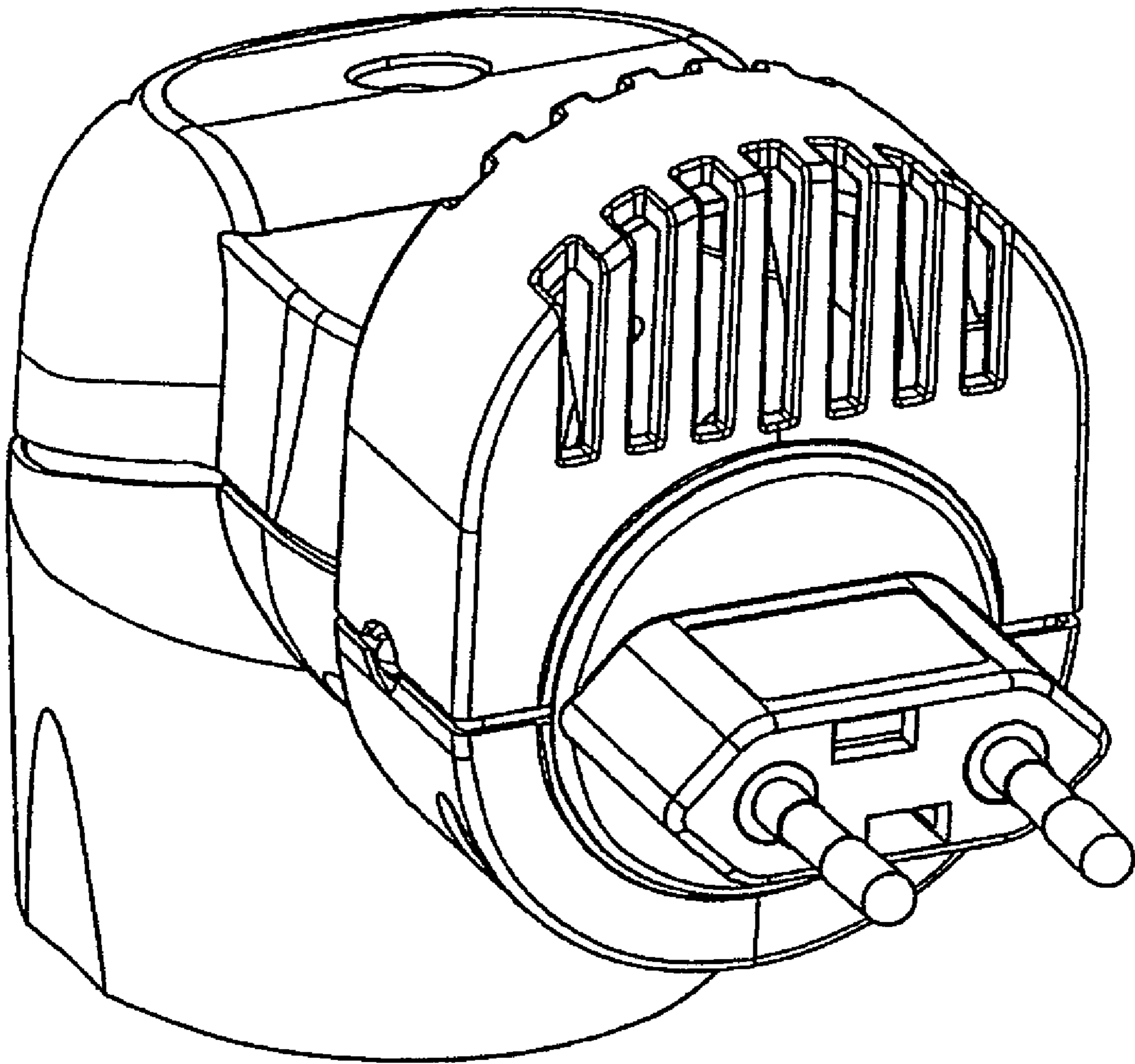


FIG. 8

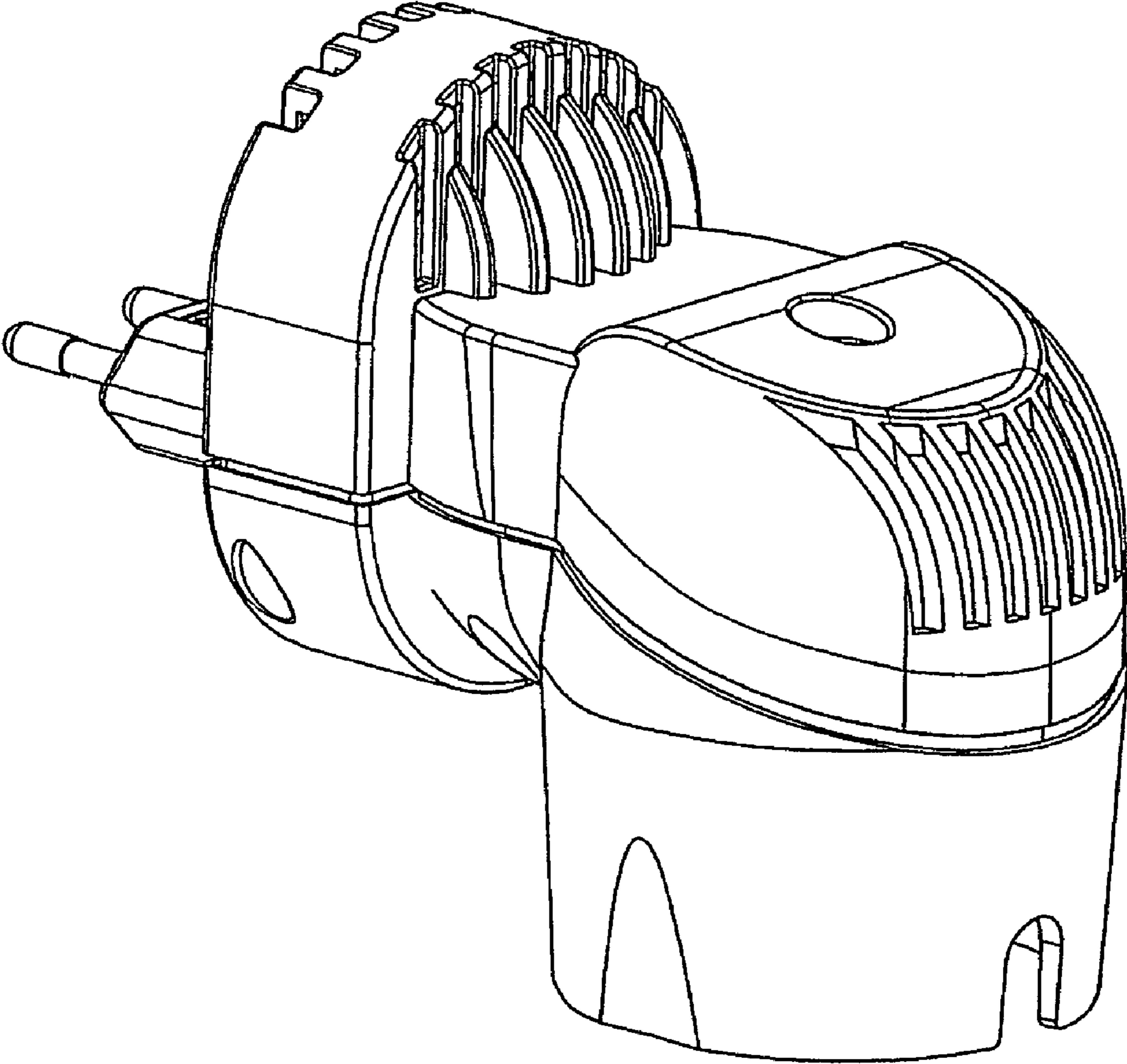


FIG. 9