



US00D581477S

(12) **United States Design Patent**
Burdick

(10) **Patent No.:** **US D581,477 S**

(45) **Date of Patent:** **** Nov. 25, 2008**

(54) **GOLF PUTTER SIGHT**

(76) Inventor: **Brett Rex Burdick**, 1219 Luttrell St.,
Knoxville, TN (US) 37917

(**) Term: **14 Years**

(21) Appl. No.: **29/298,026**

(22) Filed: **Nov. 27, 2007**

(51) **LOC (8) Cl.** **21-02**

(52) **U.S. Cl.** **D21/759; D21/743**

(58) **Field of Classification Search** D21/736-746,
D21/753, 759; 473/324-331, 340-341, 251-256
See application file for complete search history.

(56) **References Cited**

U.S. PATENT DOCUMENTS

4,809,981	A	3/1989	Doran et al.	
D323,688	S *	2/1992	Whitney	D21/741
5,575,472	A	11/1996	Magerman et al.	
5,676,603	A	10/1997	Miller	
D410,055	S *	5/1999	Loop	D21/736
6,716,110	B1	4/2004	Ballow	
6,926,615	B1	8/2005	Souza et al.	
D523,915	S *	6/2006	Bergstrom	D21/742
D526,373	S *	8/2006	Brown	D21/759
D532,846	S	11/2006	Lee et al.	
D538,865	S *	3/2007	Cameron	D21/736
D549,292	S *	8/2007	Meier et al.	D21/743
D559,930	S *	1/2008	Cameron	D21/746
2006/0166755	A1 *	7/2006	Brown	473/251

OTHER PUBLICATIONS

www.exchangeputters.com 2006 Never Compromise Exchange,
Home Technology Exchange Series EX 1.
www.exchangeputters.com 2006 Never Compromise Exchange,
Home Technology Exchange Series EX 2.

www.exchangeputters.com 2006 Never Compromise Exchange,
Home Technology Exchange Series EX 7.

www.nickentgolf.com, 2005 Nickent Golf, Pipe Putter PP/005.

* cited by examiner

Primary Examiner—Mitchell I Siegel

(74) *Attorney, Agent, or Firm*—Luedeka, Neely & Graham,
PC

(57) **CLAIM**

The ornamental design for a golf putter sight, as shown.

DESCRIPTION

FIG. 1 is an upper front perspective view of the golf putter sight of my new design;

FIG. 2 is a rear lower perspective view of the golf putter sight of my new design;

FIG. 3 is a top plan view of the golf putter sight of my new design;

FIG. 4 is a bottom plan view of the golf putter sight of my new design;

FIG. 5 is a front end view of the golf putter sight of my new design;

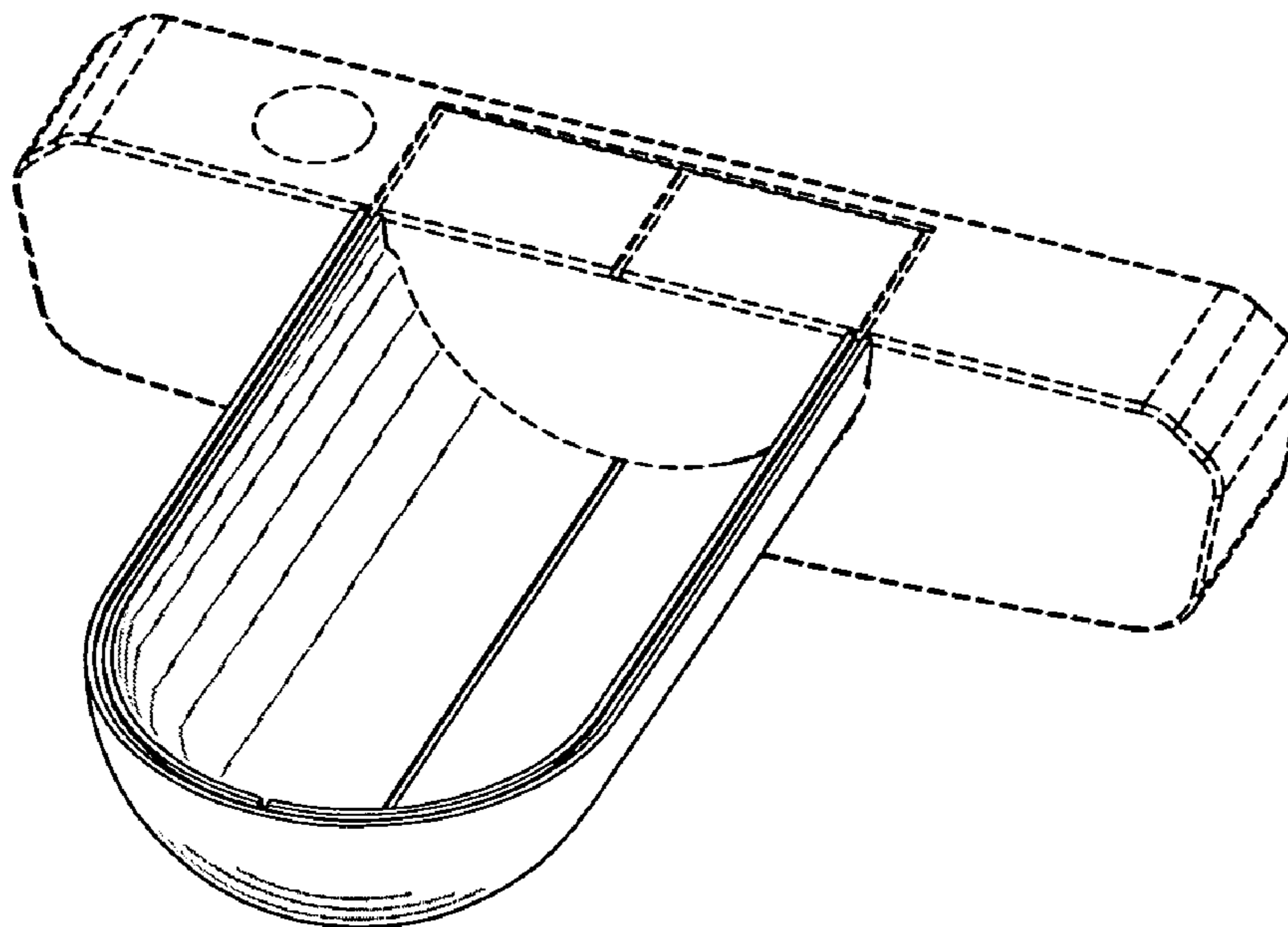
FIG. 6 is a rear end view of the golf putter sight of my new design; and

FIG. 7 is an upper rear perspective view of the golf putter sight of my new design; and,

FIG. 8 is an upper front perspective view of FIG. 8.

The broken line showing of the putter blade is included for the purpose of illustration and forms no part of the claimed design.

1 Claim, 4 Drawing Sheets



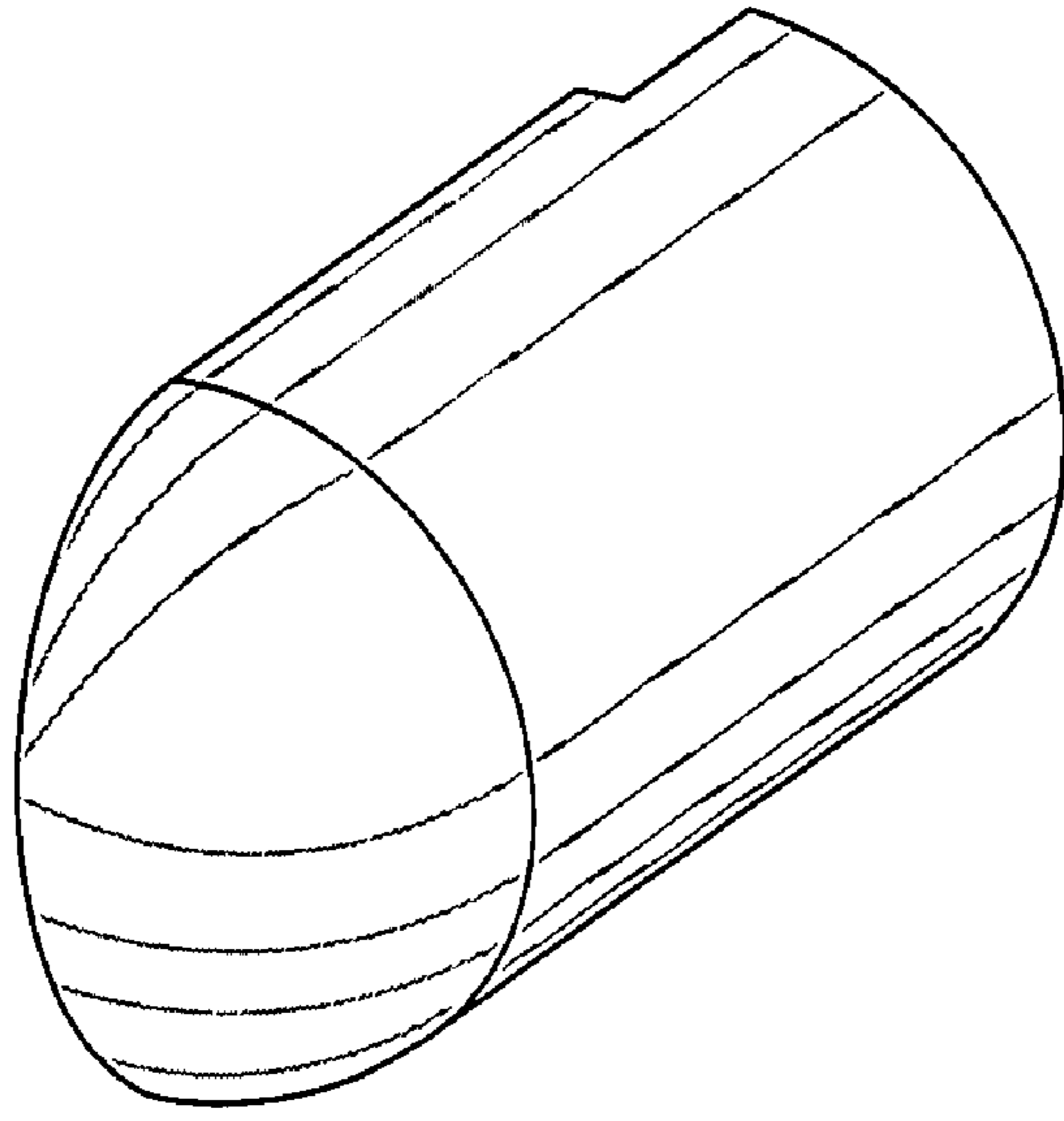


Fig. 2

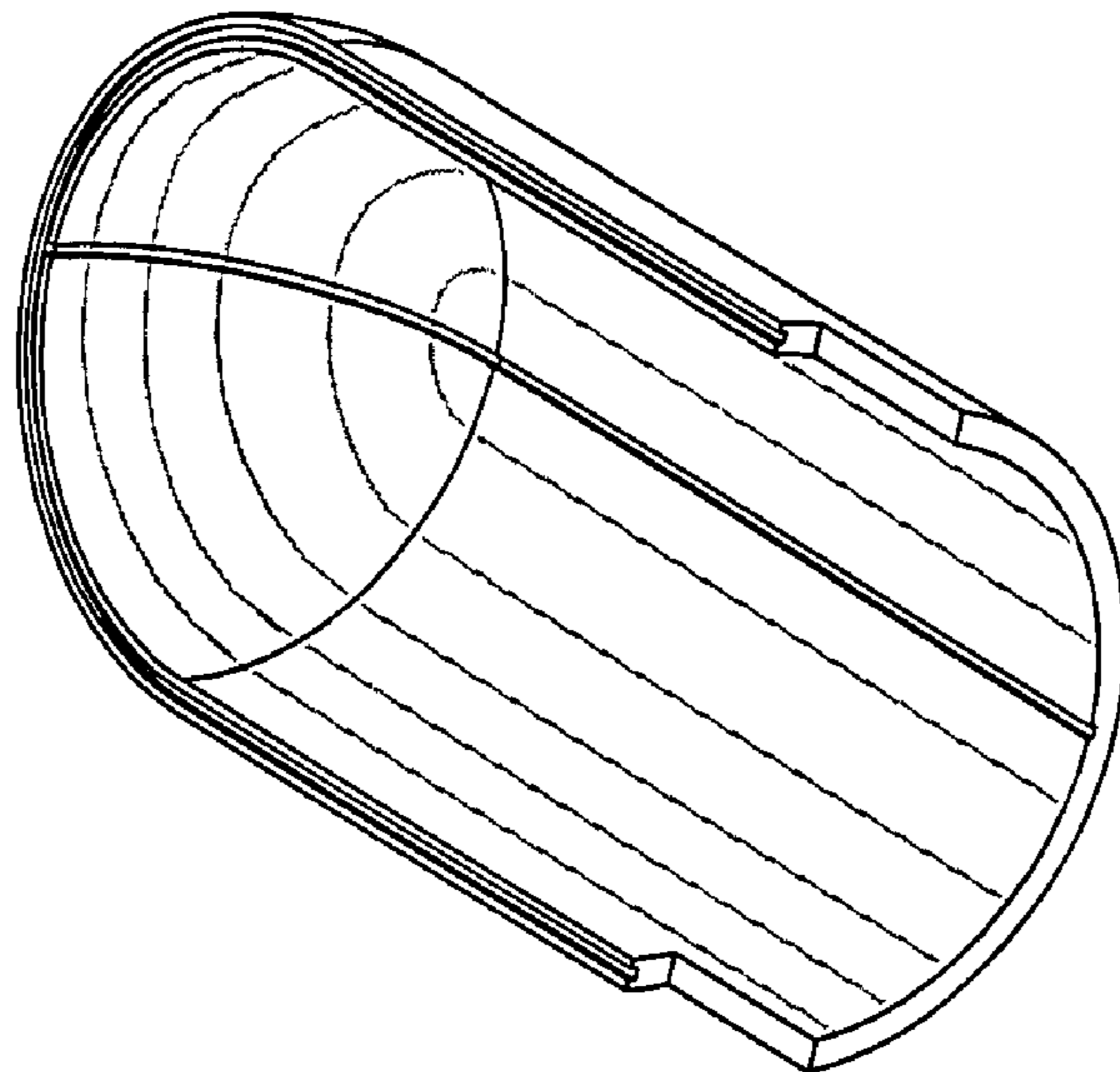


Fig. 1

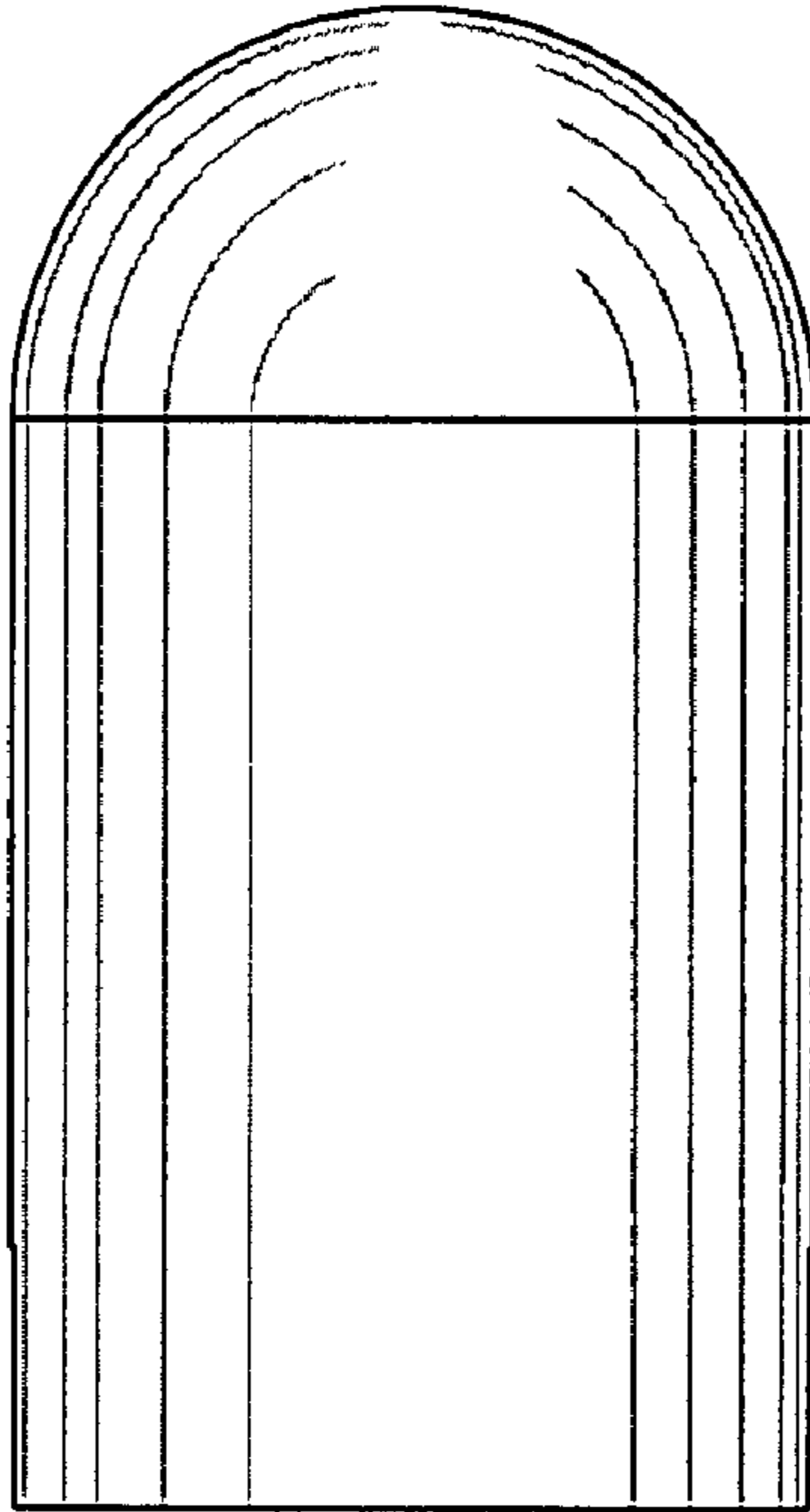


Fig. 4

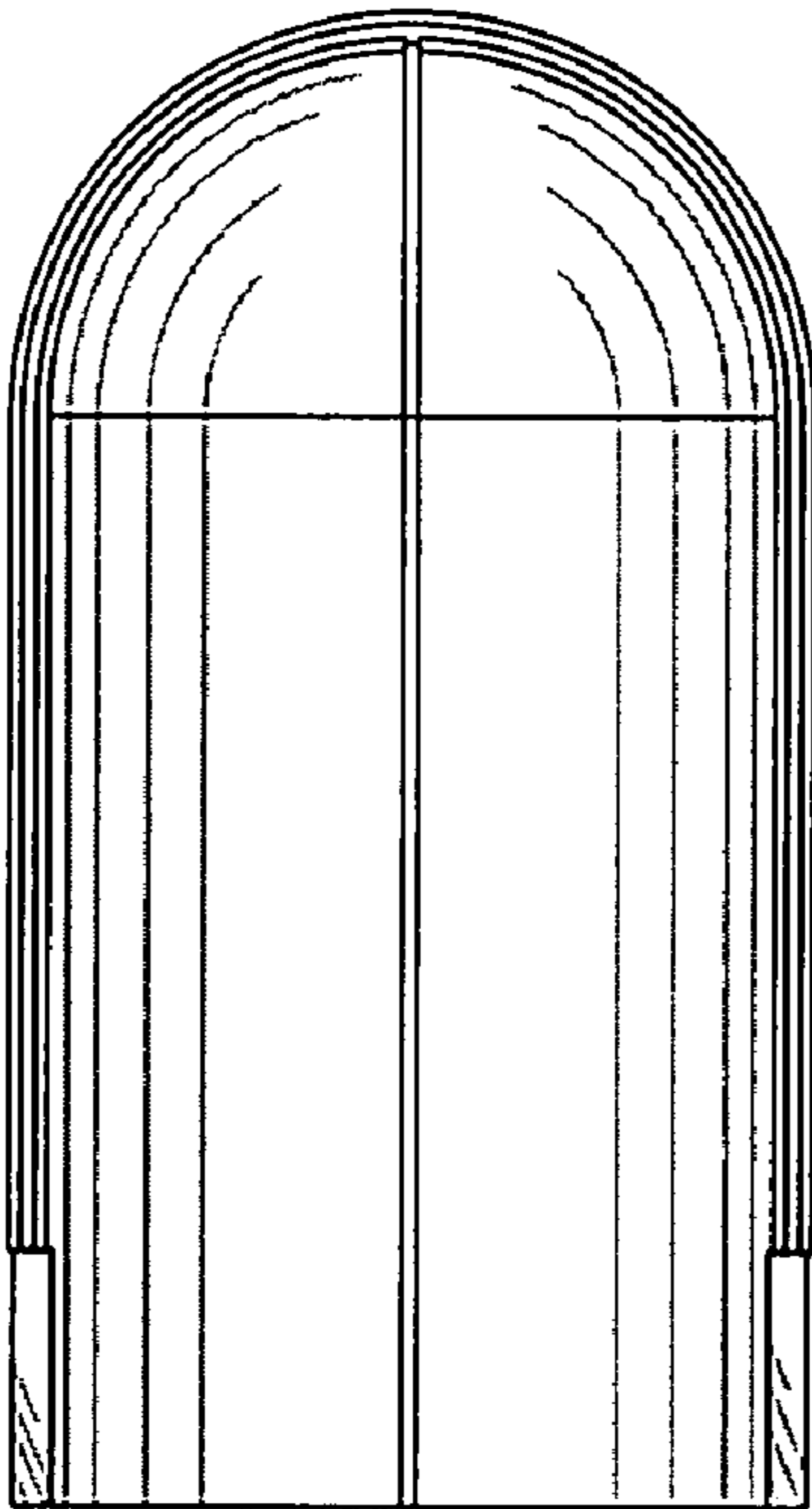


Fig. 3

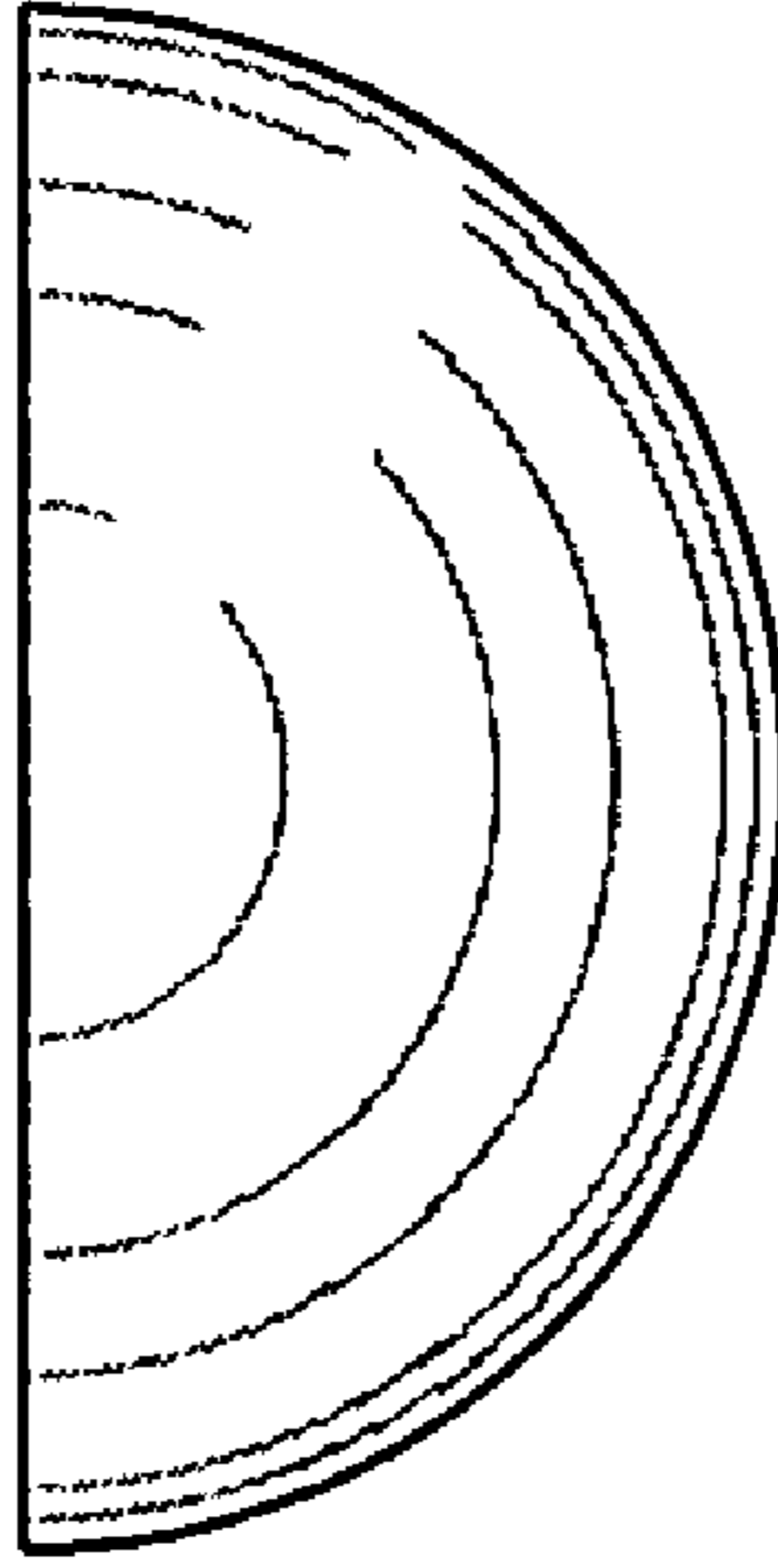


Fig. 6

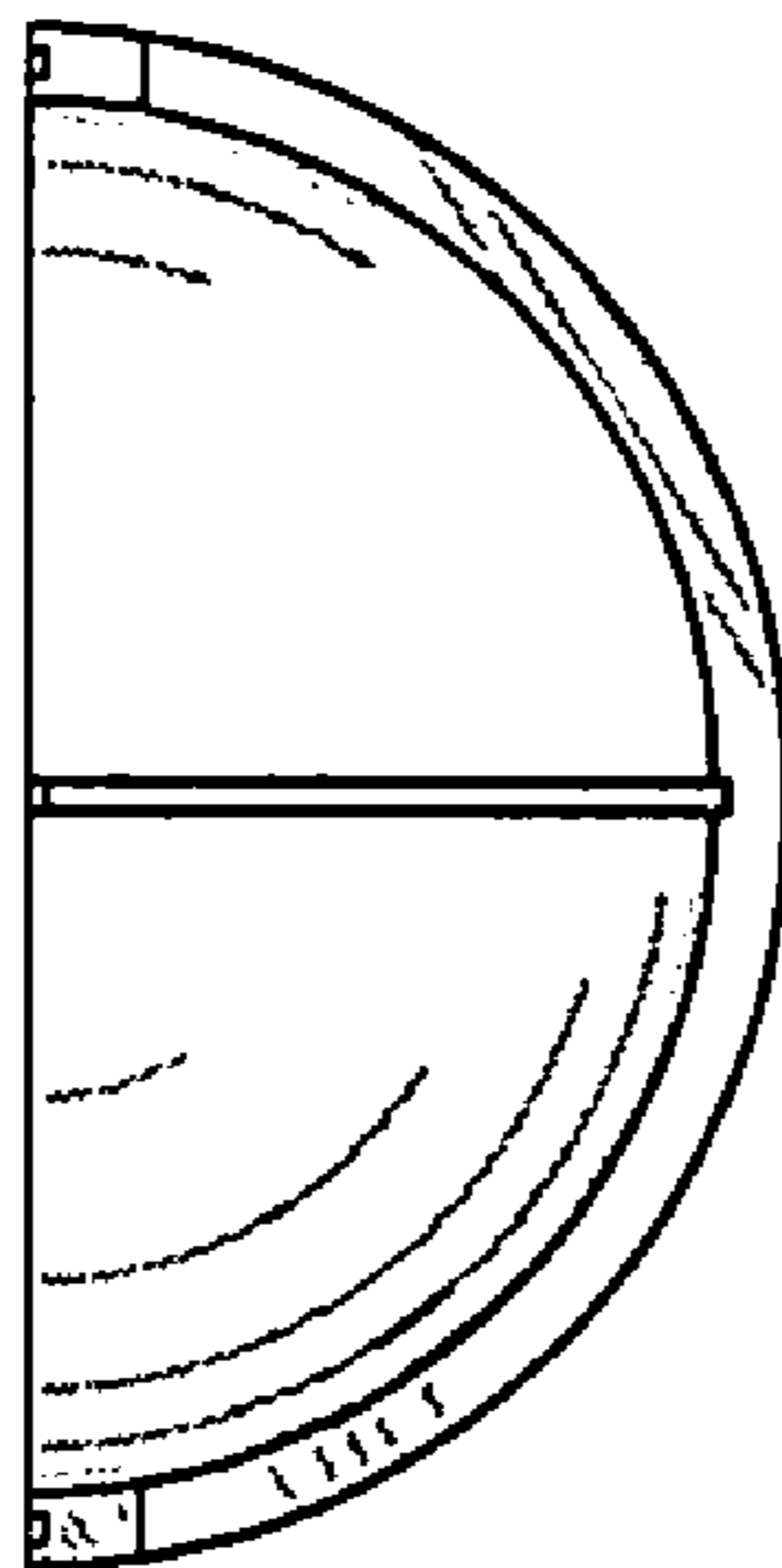


Fig. 5

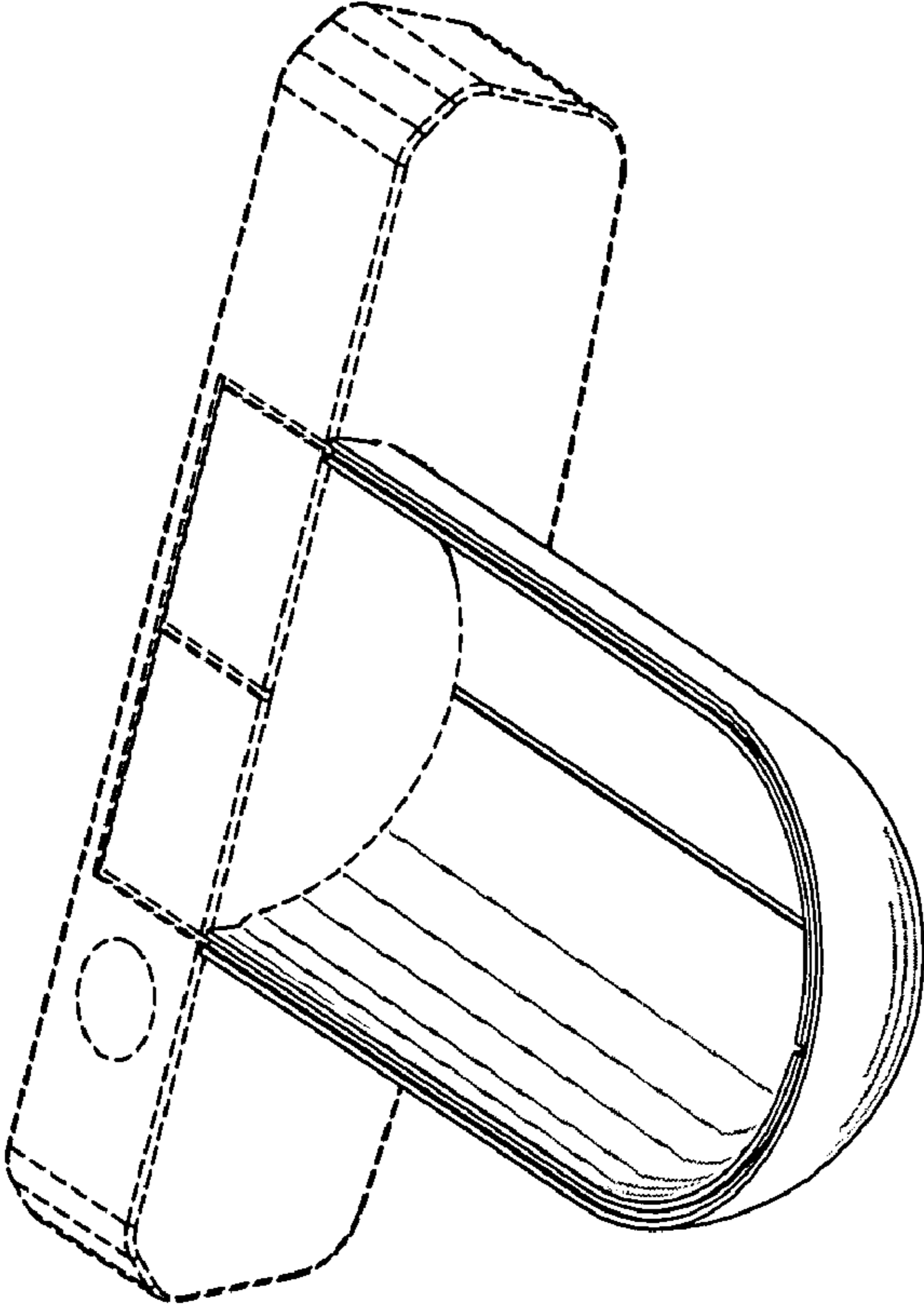


Fig. 7

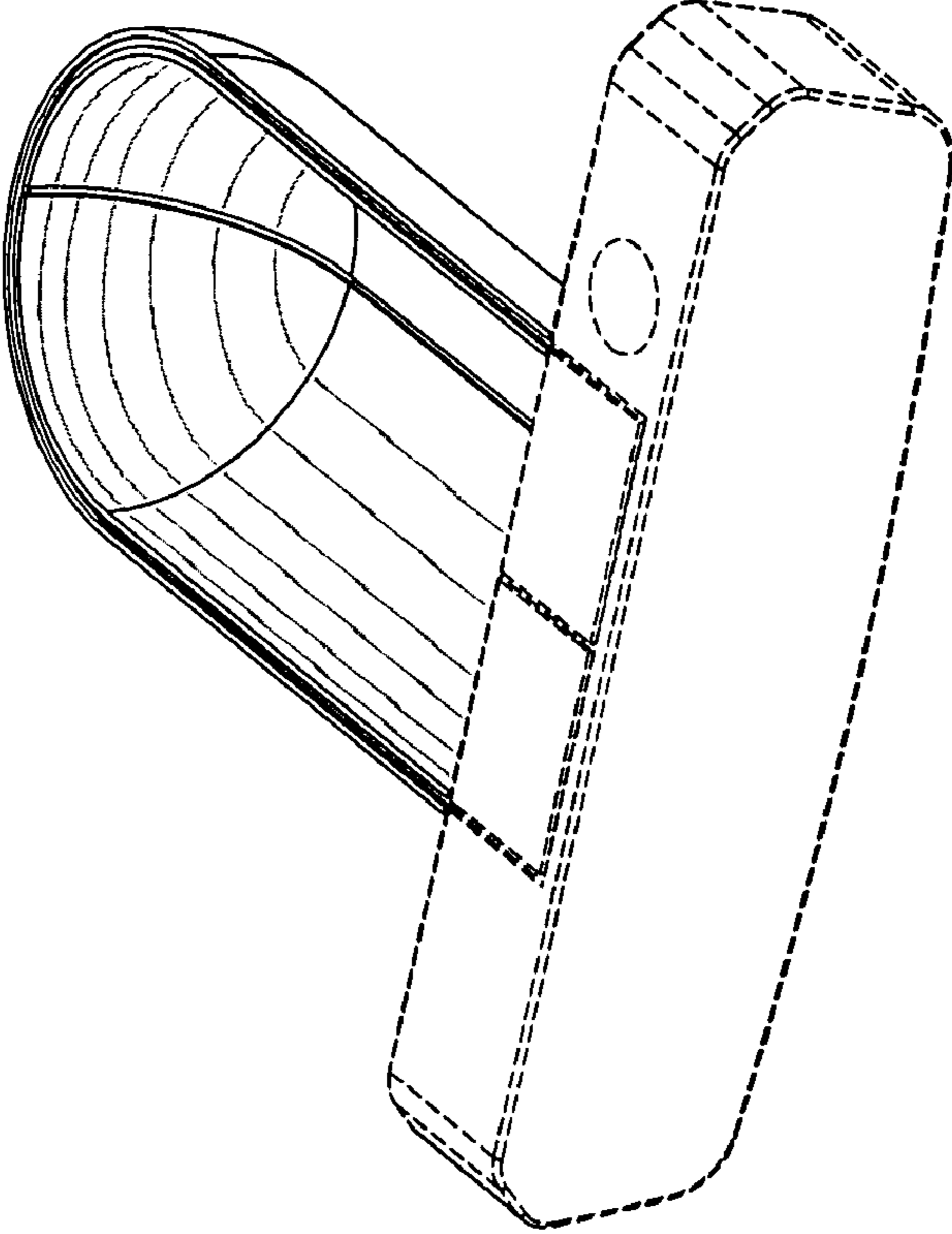


Fig. 8