



US00D581476S

(12) **United States Design Patent**  
**Johnson**

(10) **Patent No.:** **US D581,476 S**

(45) **Date of Patent:** **\*\* Nov. 25, 2008**

(54) **STRIKING FACE FOR A GOLF PUTTER HEAD**

D404,451 S \* 1/1999 Sheets ..... D21/746  
D538,365 S \* 3/2007 Torbett ..... D21/744

(76) Inventor: **Lanny Leo Johnson**, 4658 Chippewa Dr., Okemos, MI (US) 48864

\* cited by examiner

(\*\*) Term: **14 Years**

*Primary Examiner*—Mitchell I Siegel  
(74) *Attorney, Agent, or Firm*—Gallagher & Dawsey Co. LPA; David J. Dawsey; Michael J. Gallagher

(21) Appl. No.: **29/297,300**

(57) **CLAIM**

(22) Filed: **Nov. 8, 2007**

The ornamental design for a striking face for a golf putter head, as shown and described.

(51) **LOC (8) Cl.** ..... **21-02**

(52) **U.S. Cl.** ..... **D21/759**

(58) **Field of Classification Search** ..... D21/736–746,  
D21/759; 473/324–331, 340–341  
See application file for complete search history.

**DESCRIPTION**

FIG. 1 is a perspective view of a striking face for a golf putter head, showing my new design;

FIG. 2 is a front elevational view of the invention;

FIG. 3 is a left-side elevational view of the invention, the right-side elevational view being a mirror image thereof;

FIG. 4 is a top plan view of the invention; and,

FIG. 5 is a bottom plan view of the invention.

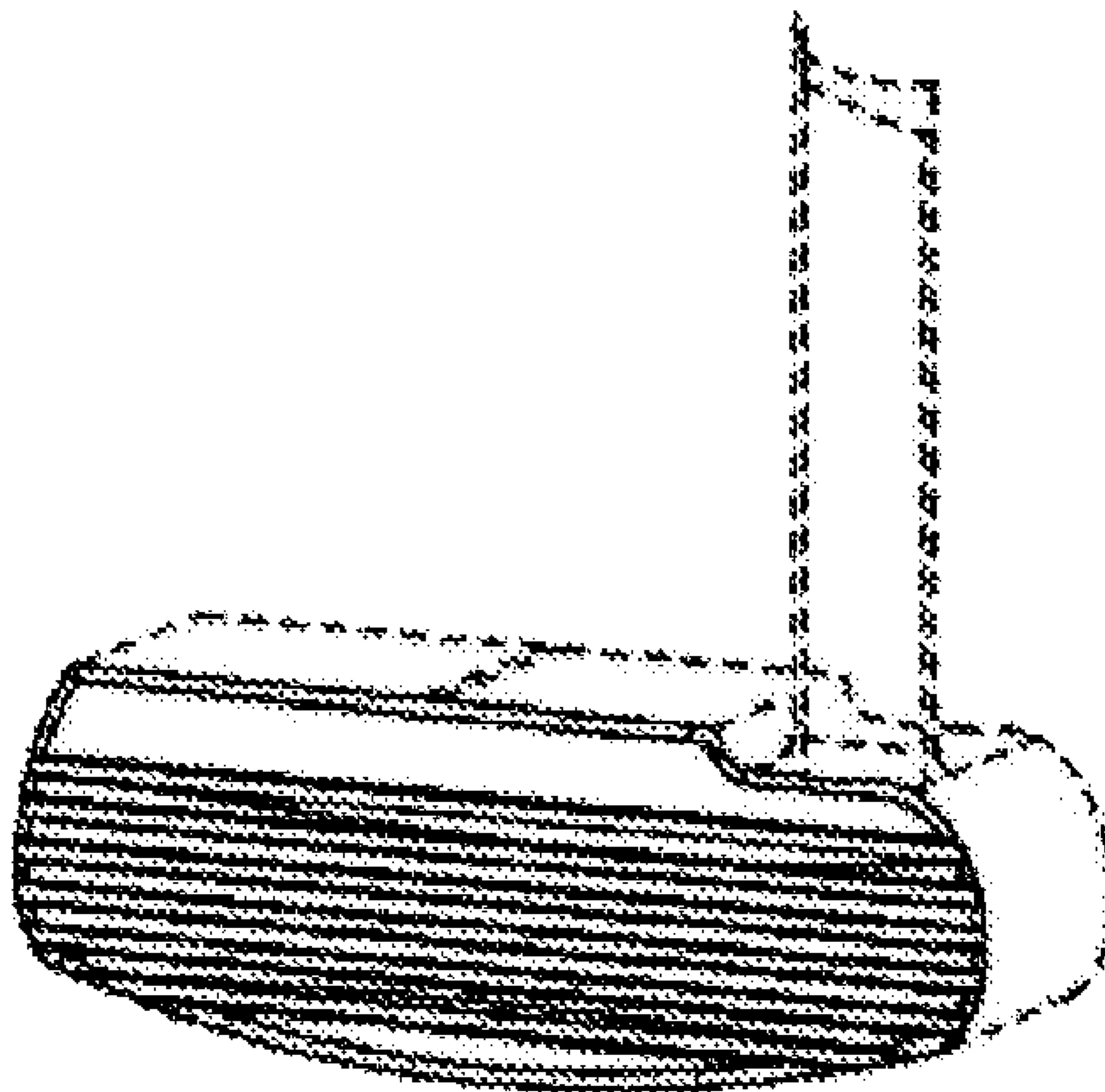
The broken lines showing a golf putter body in the figures are included for the purpose of illustrating the invention formed into a typical golf putter body, and form no part of the claimed design.

(56) **References Cited**

**U.S. PATENT DOCUMENTS**

D393,033	S	*	3/1998	Sheets	.....	D21/745
D394,689	S	*	5/1998	Sheets	.....	D21/743
D396,081	S	*	7/1998	Sheets	.....	D21/742
D396,082	S	*	7/1998	Sheets	.....	D21/742
D396,083	S	*	7/1998	Sheets	.....	D21/742
D396,258	S	*	7/1998	Sheets	.....	D21/742
D398,351	S	*	9/1998	Sheets et al.	.....	D21/736
D398,352	S	*	9/1998	Sheets	.....	D21/742
D399,275	S	*	10/1998	Sheets	.....	D21/742

**1 Claim, 1 Drawing Sheet**



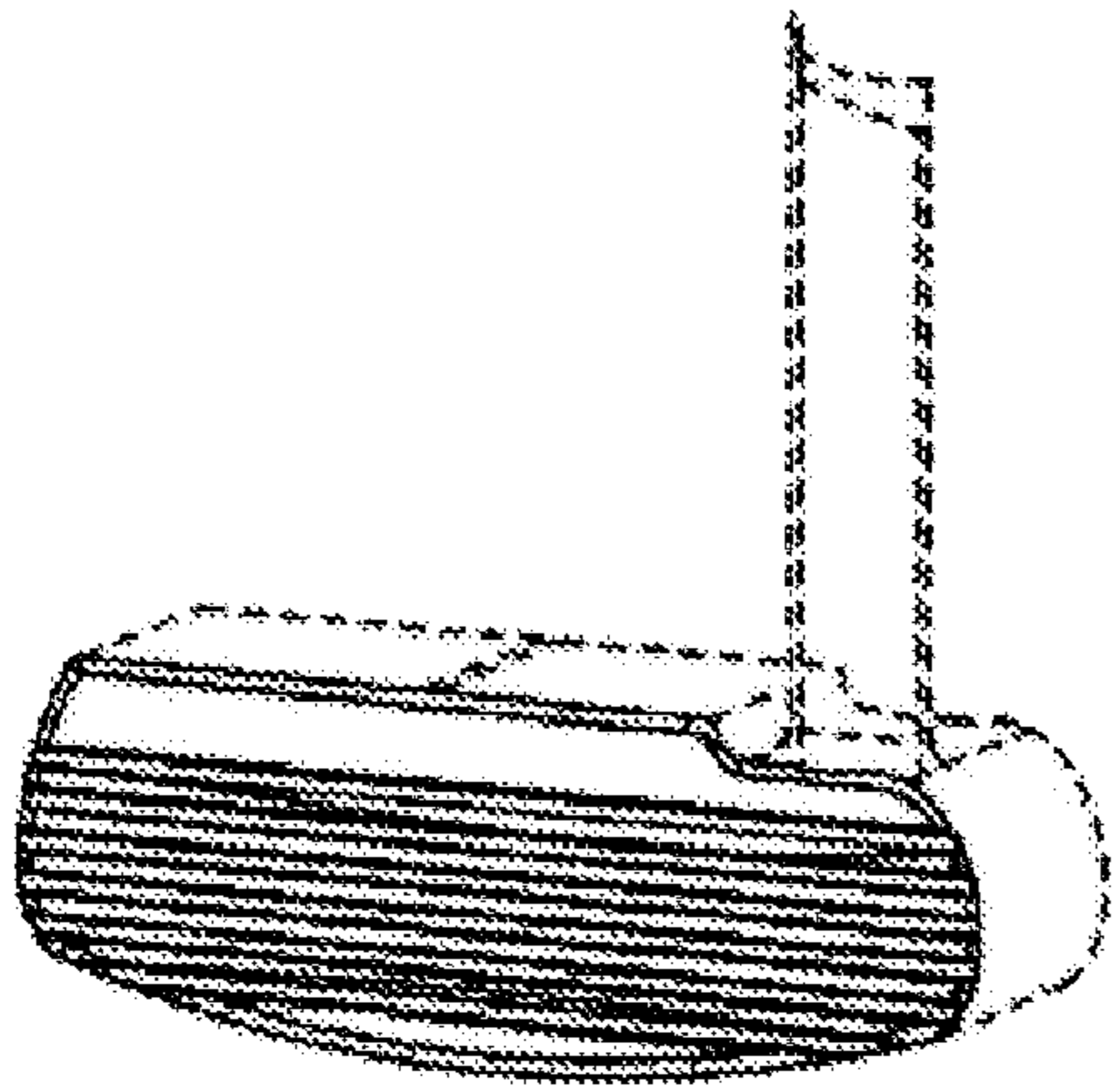


FIG. 1

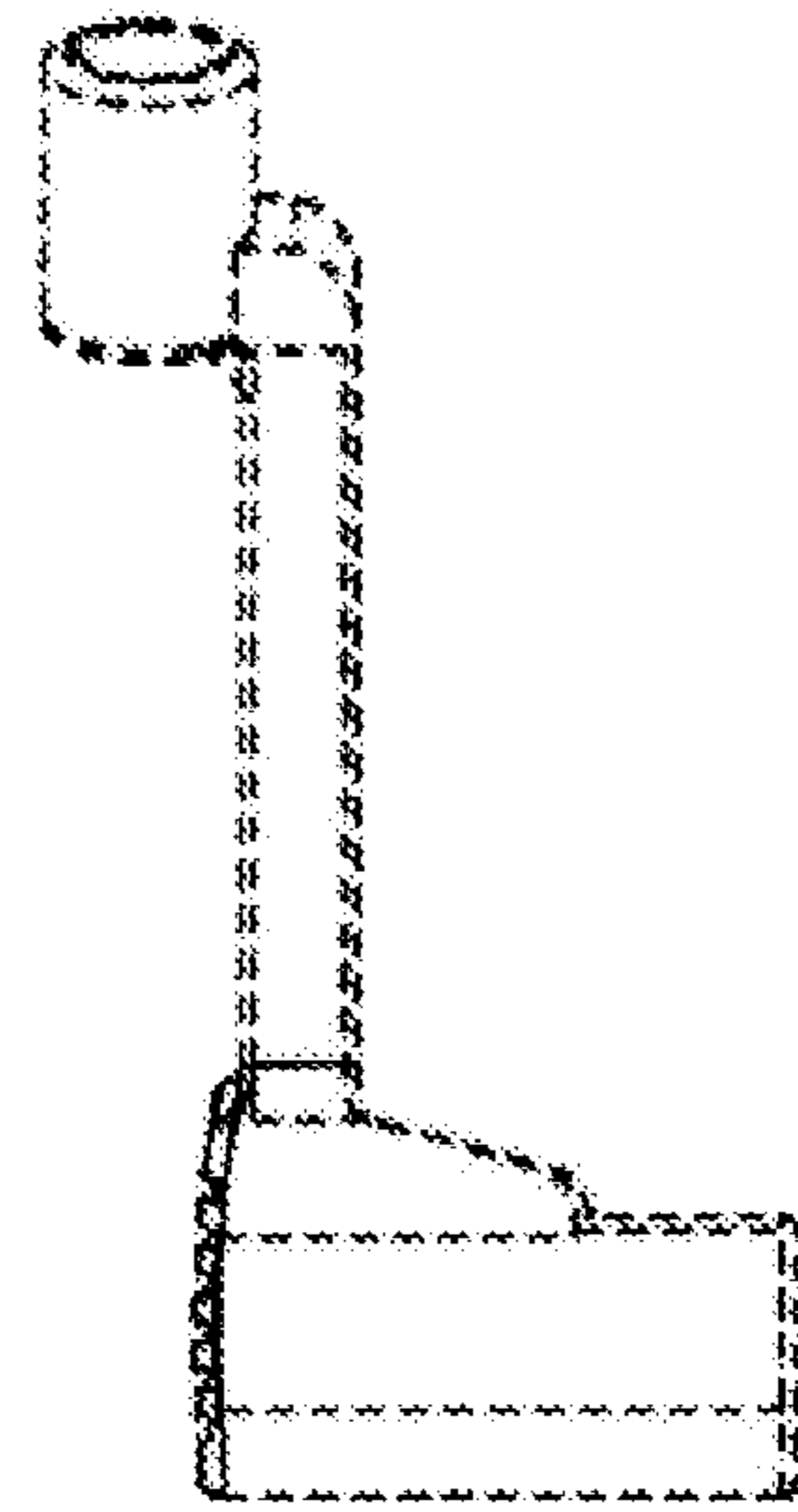


FIG. 3

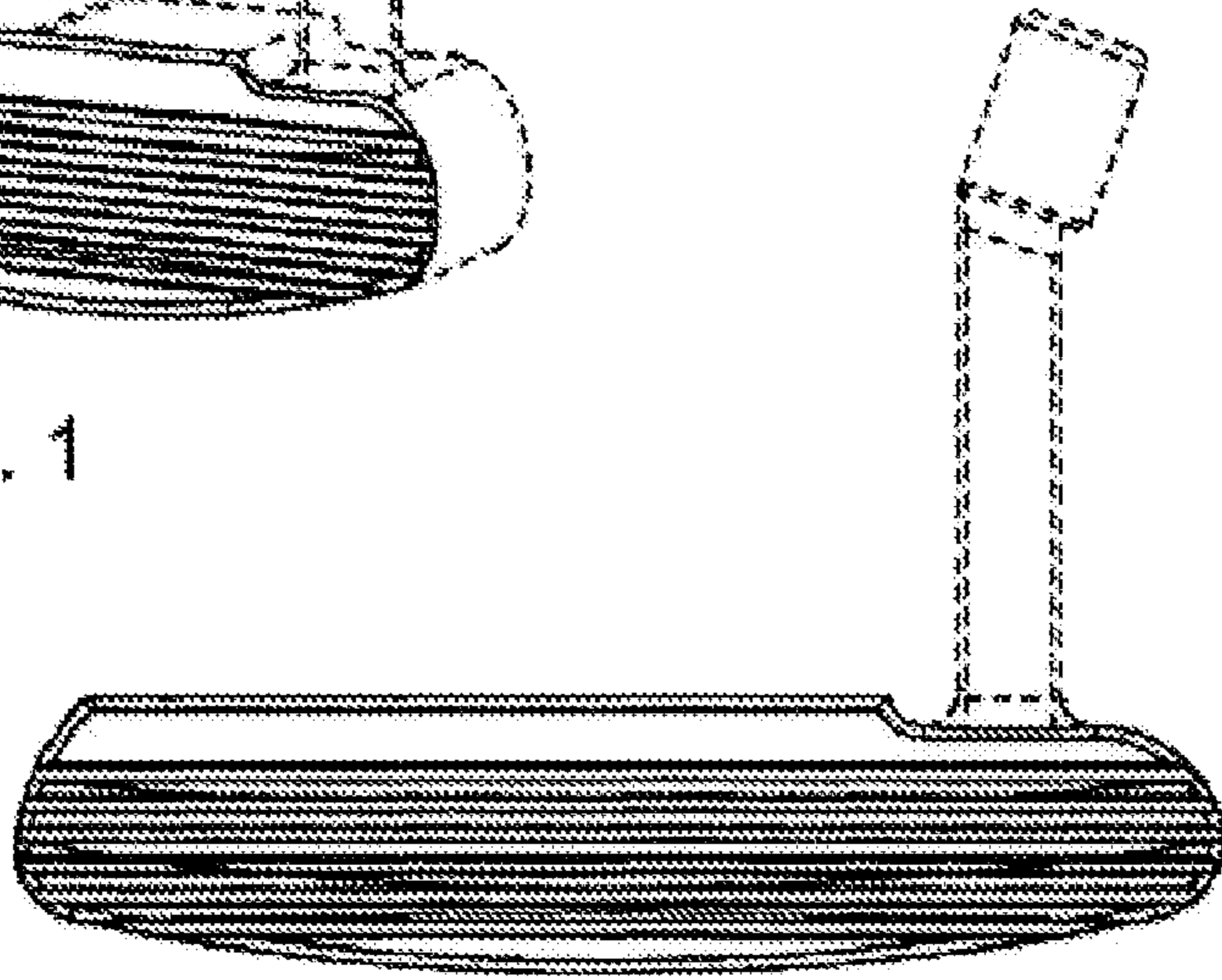


FIG. 2

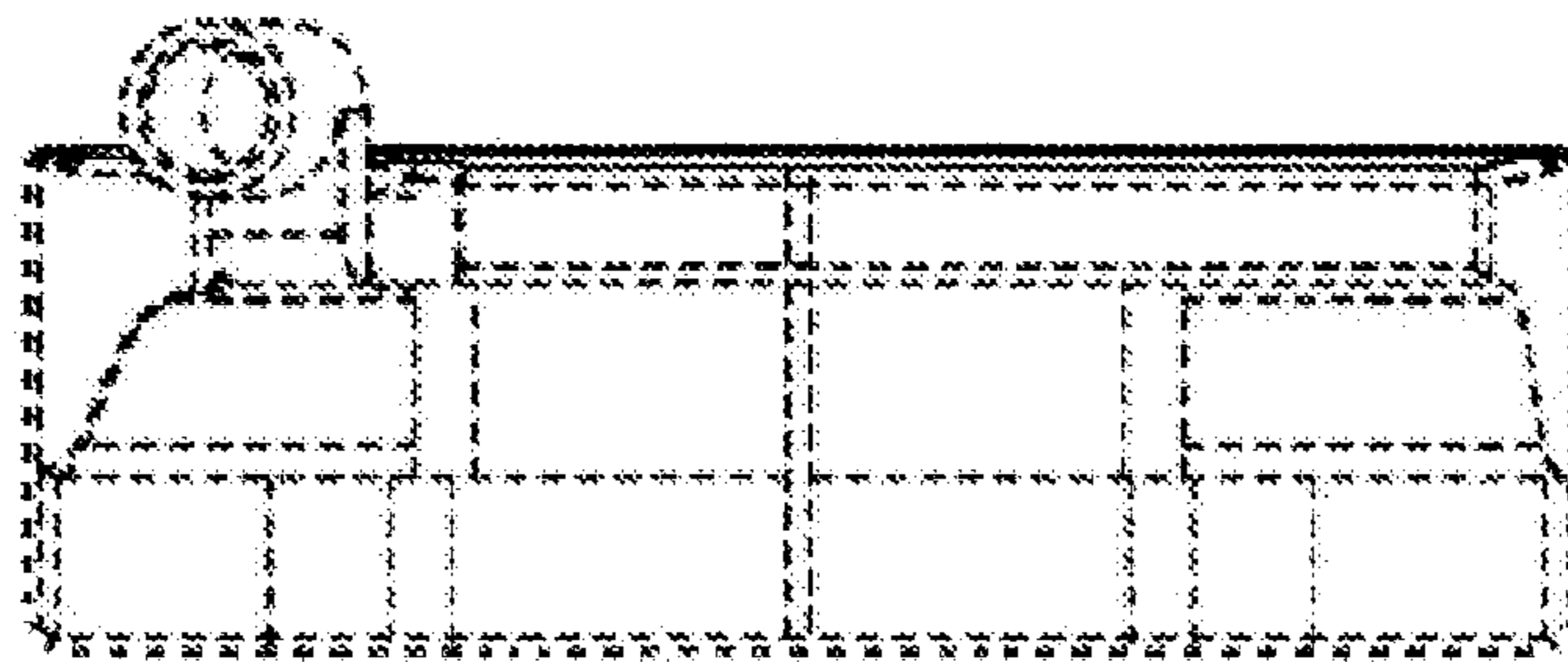


FIG. 4

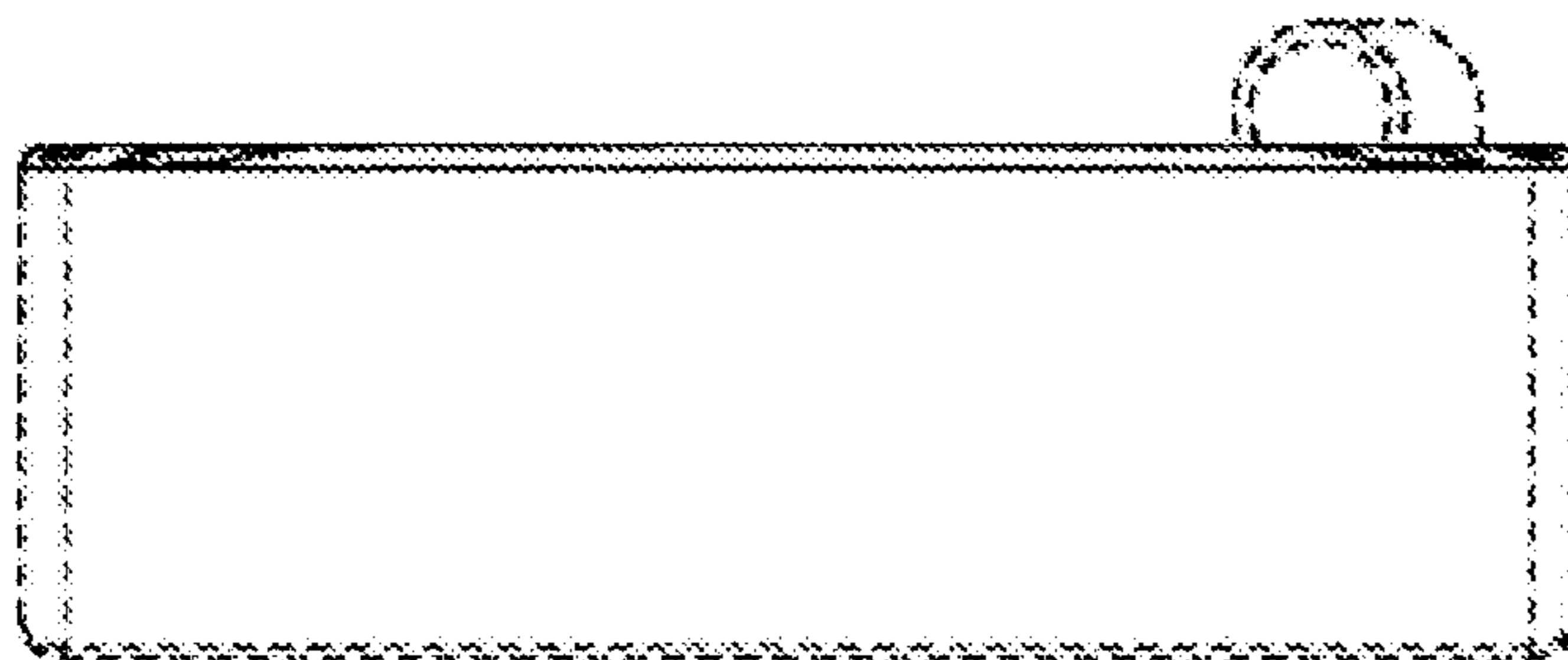


FIG. 5