



US00D581473S

(12) **United States Design Patent**
Thomas

(10) **Patent No.:** **US D581,473 S**

(45) **Date of Patent:** **** Nov. 25, 2008**

(54) **BLADE HEAD FOR A GOLF PUTTER**

(76) Inventor: **Frank Thomas**, 1109 Rosemary Way,
Celebration, FL (US) 34747

(**) Term: **14 Years**

(21) Appl. No.: **29/292,301**

(22) Filed: **Oct. 5, 2007**

(51) **LOC (8) Cl.** **21-02**

(52) **U.S. Cl.** **D21/746**

(58) **Field of Classification Search** D21/736-746;
473/324-331, 340-341, 251-256

See application file for complete search history.

(56) **References Cited**

U.S. PATENT DOCUMENTS

D193,096 S *	6/1962	Green, Jr.	D21/745
D389,539 S *	1/1998	Moore	D21/739
6,488,595 B1 *	12/2002	Grace	473/341
D501,233 S *	1/2005	Thomas	D21/736
D520,584 S *	5/2006	Karlsen	D21/743
D529,560 S *	10/2006	Madore	D21/743
2002/0193176 A1 *	12/2002	Grace	473/341

* cited by examiner

Primary Examiner—Mitchell I Siegel

(74) *Attorney, Agent, or Firm*—Francis C. Hand; Carella,
Byrne, Bain et al.

(57) **CLAIM**

The ornamental design for a blade head for a golf putter, as shown.

DESCRIPTION

FIG. 1 illustrates a front perspective view of a blade head for a golf putter employing the ornamental design in accordance with the invention with a dotted line representation of a bore for receiving a shaft for a right-handed club that is not part of the design;

FIG. 2 illustrates a top view of the blade head for a golf putter of FIG. 1;

FIG. 3 illustrates a front view of the blade head for a golf putter of FIG. 1;

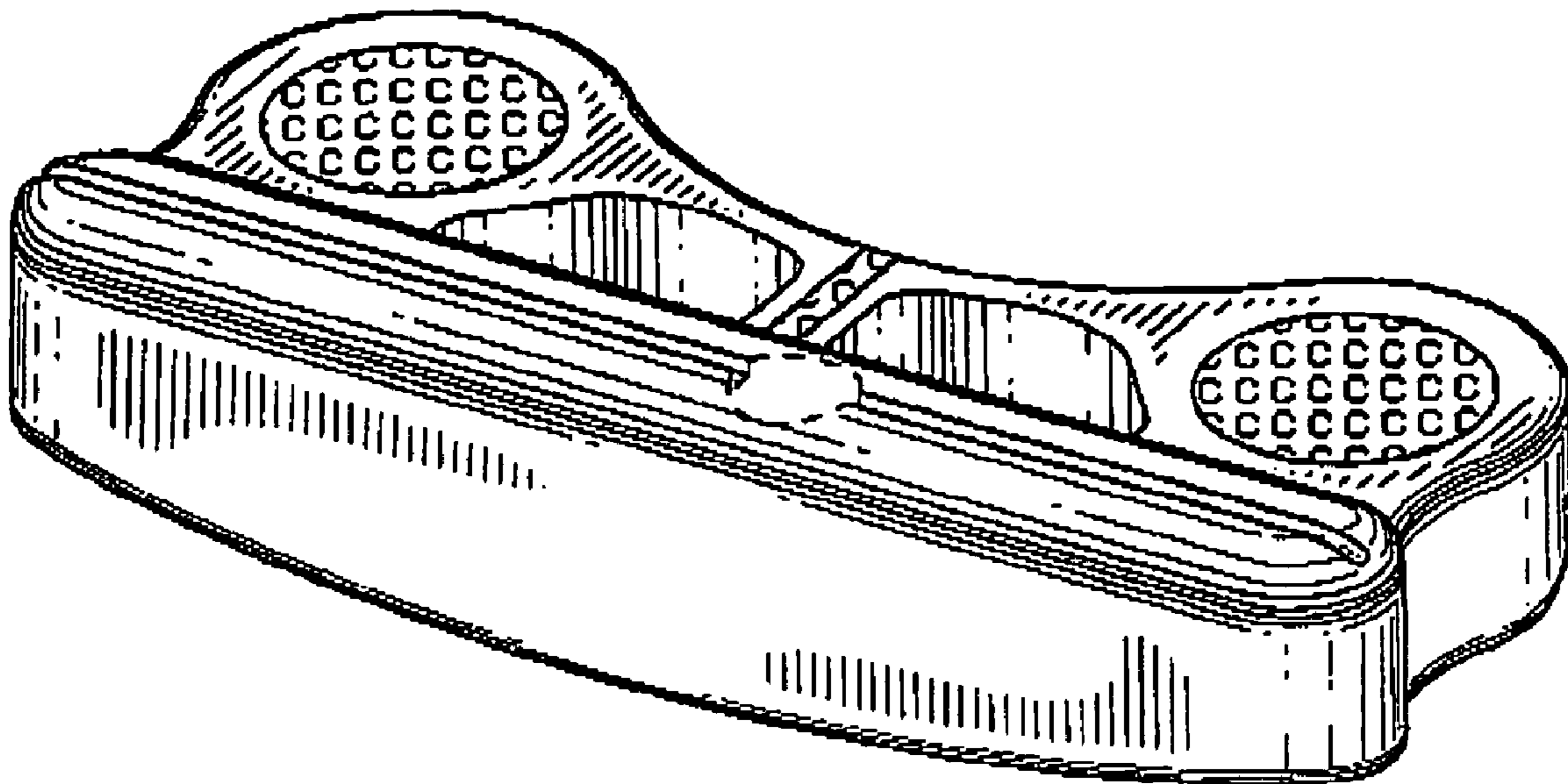
FIG. 4 illustrates a rear view of the blade head for a golf putter of FIG. 1;

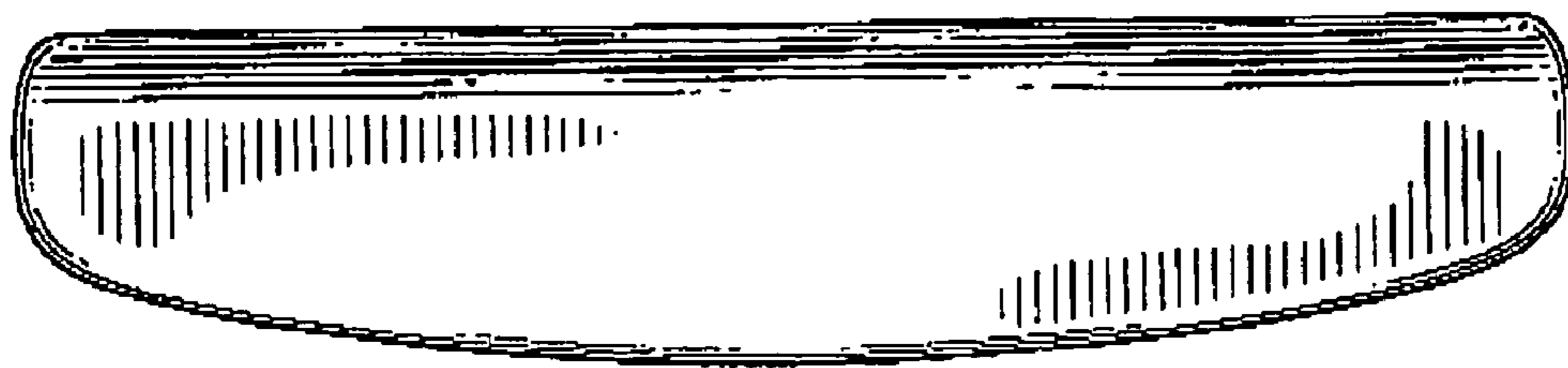
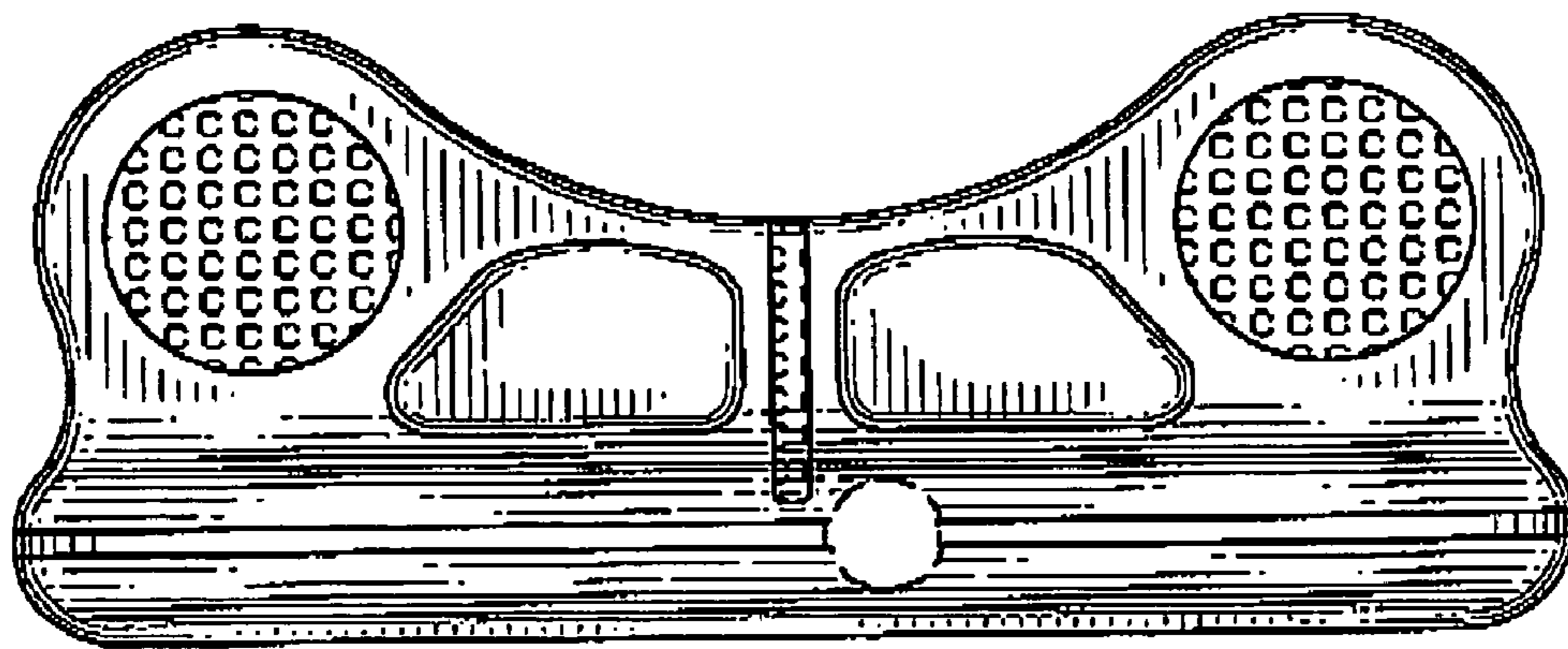
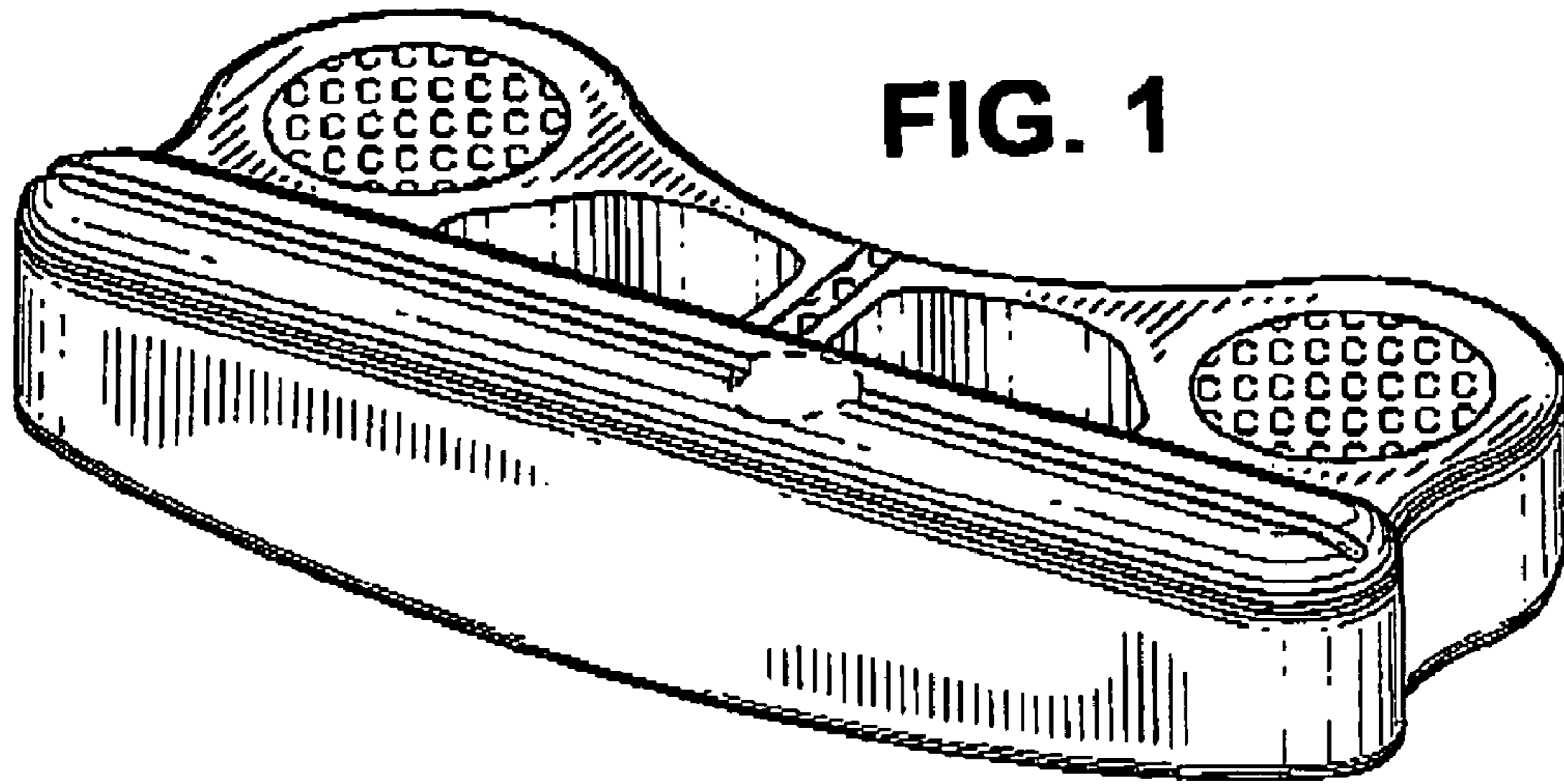
FIG. 5 illustrates a bottom view of the blade head for a golf putter of FIG. 1;

FIG. 6 illustrates a left side view of the blade head for a golf putter of FIG. 1; and,

FIG. 7 illustrates a right side view of the blade head for golf putter of FIG. 1.

1 Claim, 2 Drawing Sheets





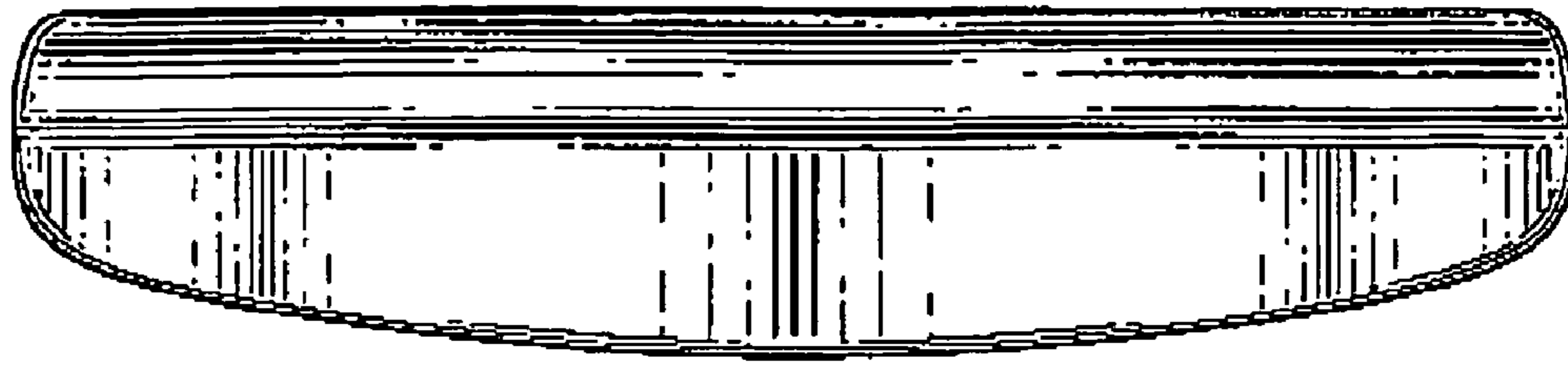


FIG. 4

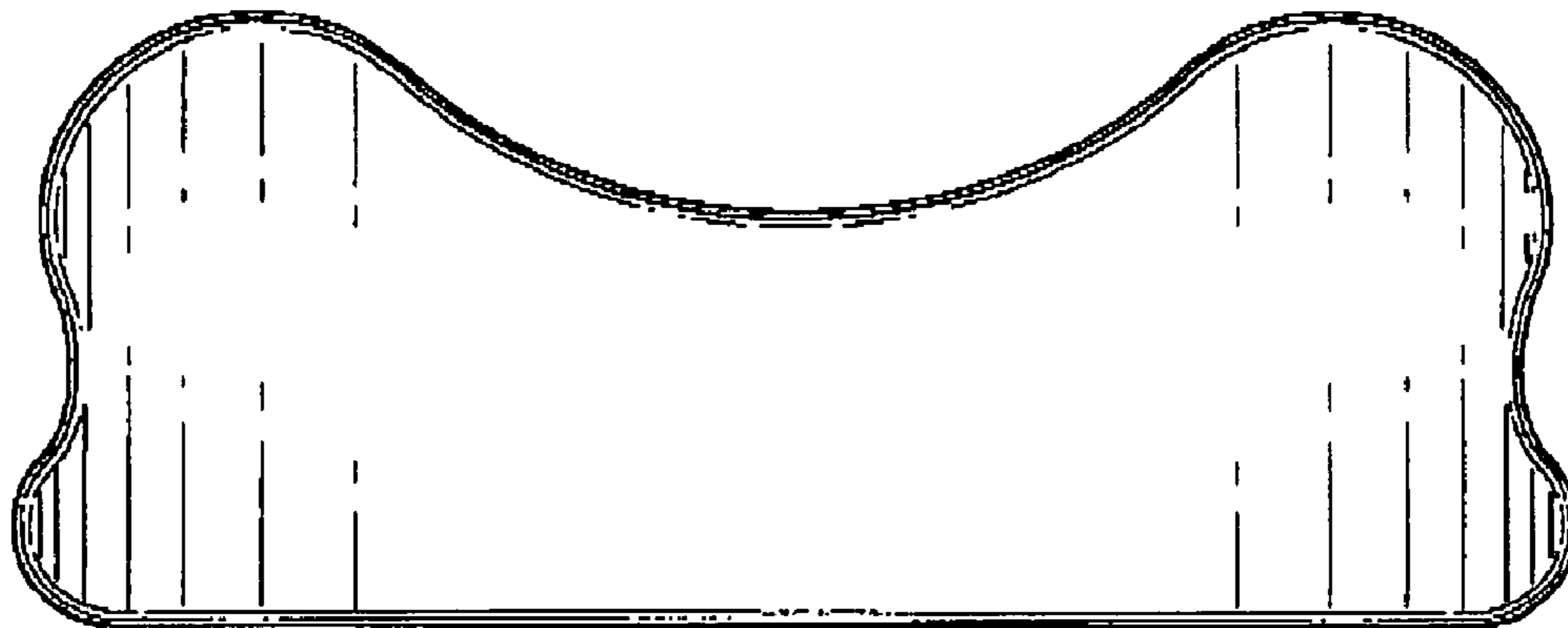


FIG. 5

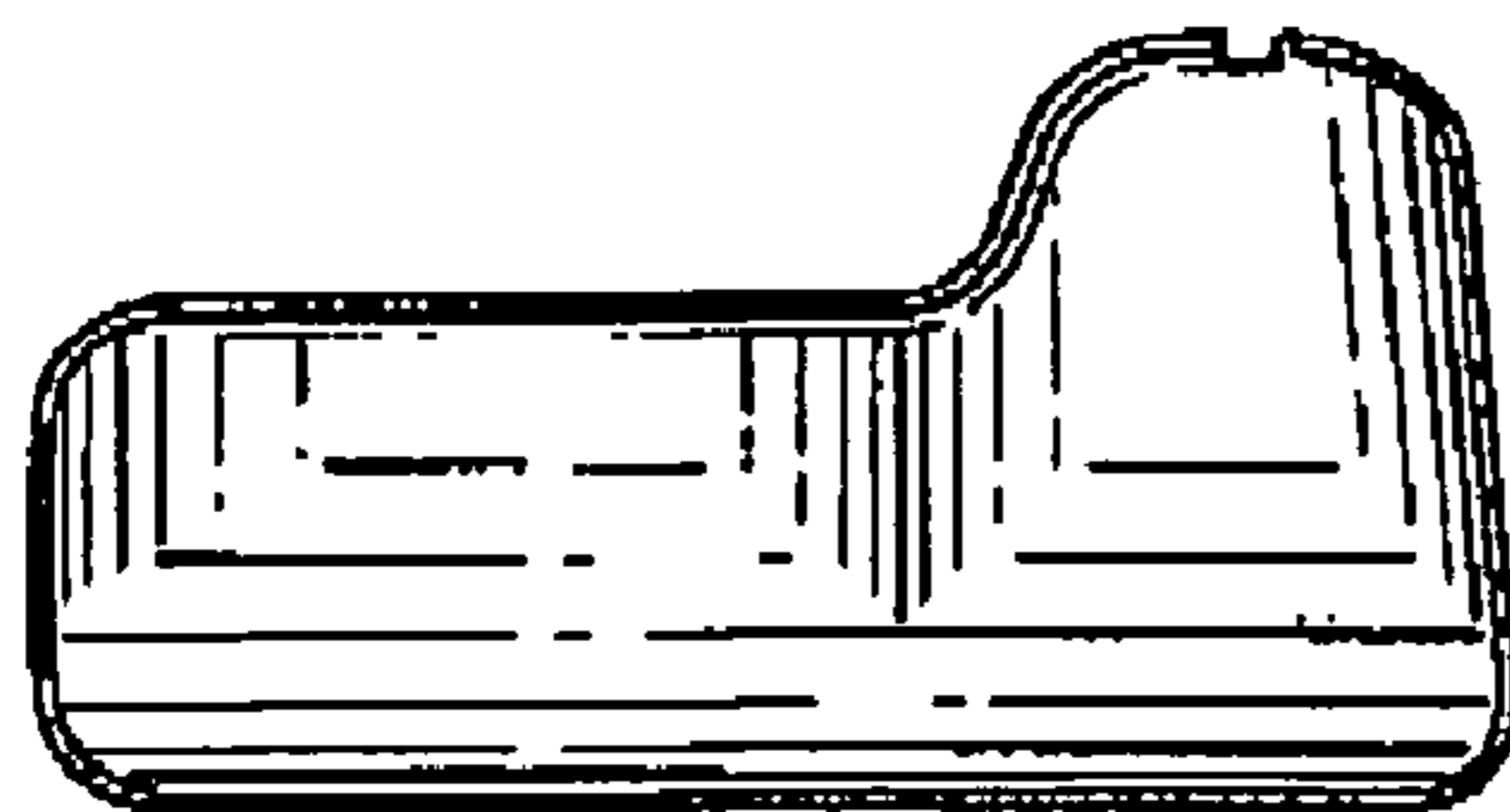


FIG. 6



FIG. 7