



US00D581465S

(12) **United States Design Patent**  
**Bhavnani**

(10) **Patent No.:** **US D581,465 S**

(45) **Date of Patent:** **\*\* Nov. 25, 2008**

(54) **NOTEPAD AND TAPE FLAG DISPENSER**

(75) Inventor: **Dilip Bhavnani**, Beverly Hills, CA (US)

(73) Assignee: **Sun Coast Merchandise Corporation**,  
Commerce, CA (US)

(\*\*) Term: **14 Years**

(21) Appl. No.: **29/283,629**

(22) Filed: **Aug. 20, 2007**

(51) **LOC (8) Cl.** ..... **19-02**

(52) **U.S. Cl.** ..... **D19/65; D19/69**

(58) **Field of Classification Search** ..... D19/67,  
D19/69, 78, 75, 77, 89, 65; D3/313; D28/73;  
D11/147; 211/70.1, 71, 72; 206/224, 225,  
206/215

See application file for complete search history.

(56) **References Cited**

**U.S. PATENT DOCUMENTS**

D120,743	S	*	5/1940	Petzold	.....	D19/89
3,381,853	A	*	5/1968	Ferris et al.	.....	221/63
D290,266	S	*	6/1987	Zucker	.....	D19/69
5,086,946	A	*	2/1992	Blackwell et al.	.....	221/45
5,165,570	A	*	11/1992	Windorski et al.	.....	221/46
D348,484	S	*	7/1994	Blackwell et al.	.....	D19/69
D348,690	S	*	7/1994	Samuelson	.....	D19/69
D354,310	S	*	1/1995	Crist et al.	.....	D19/75

D393,002	S	*	3/1998	Mandar	.....	D19/78
D398,078	S	*	9/1998	Hsu	.....	D28/73
D401,015	S	*	11/1998	Sussman	.....	D28/61
D444,179	S	*	6/2001	Dill	.....	D19/90
D502,740	S	*	3/2005	Stoddard et al.	.....	D19/86
D528,601	S	*	9/2006	Crawford et al.	.....	D19/69
D529,553	S	*	10/2006	Crawford et al.	.....	D19/69
D548,794	S	*	8/2007	Jour	.....	D19/86

\* cited by examiner

*Primary Examiner*—Cathron Brooks

*Assistant Examiner*—Austin Murphy

(74) *Attorney, Agent, or Firm*—The Soni Law Firm

(57) **CLAIM**

The ornamental design for a notepad and tape flag dispenser, as shown and described.

**DESCRIPTION**

FIG. 1 is a front bottom side perspective view of the notepad and tape flag dispenser showing my new design;

FIG. 2 is a front elevational view thereof;

FIG. 3 is a bottom plan view thereof;

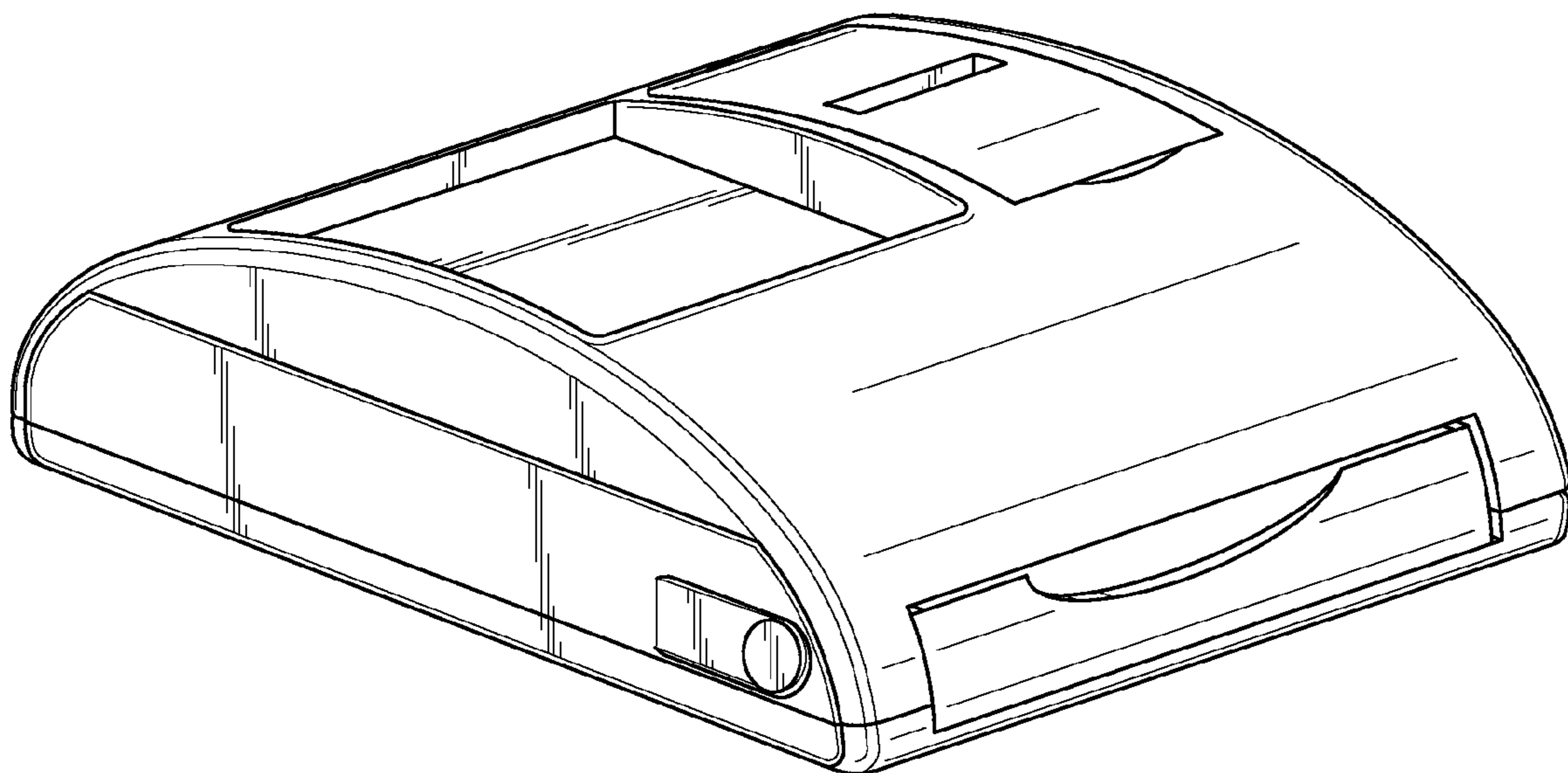
FIG. 4 is a left side elevational view thereof;

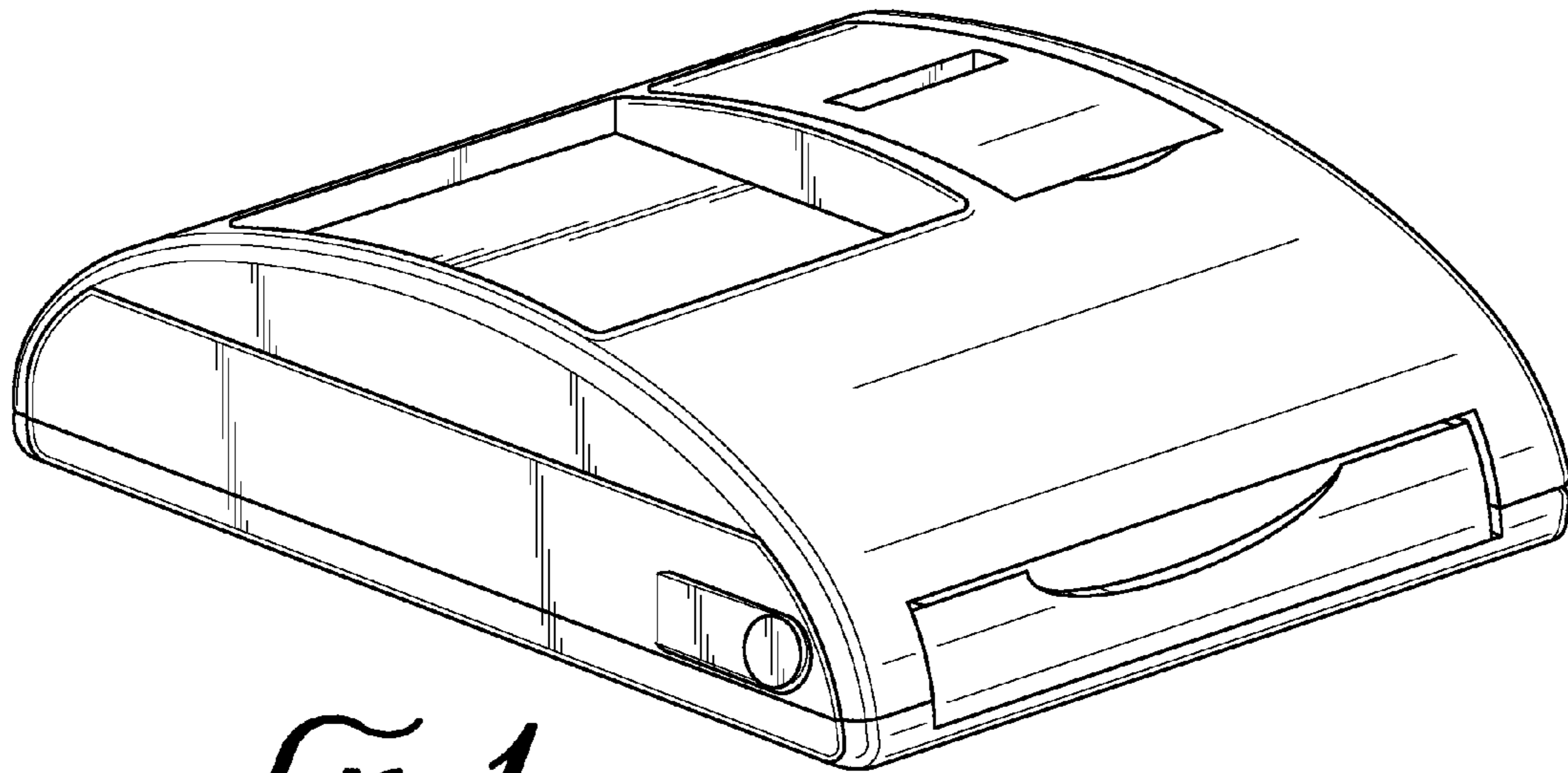
FIG. 5 is a right side elevational view thereof;

FIG. 6 is a top plan view thereof; and,

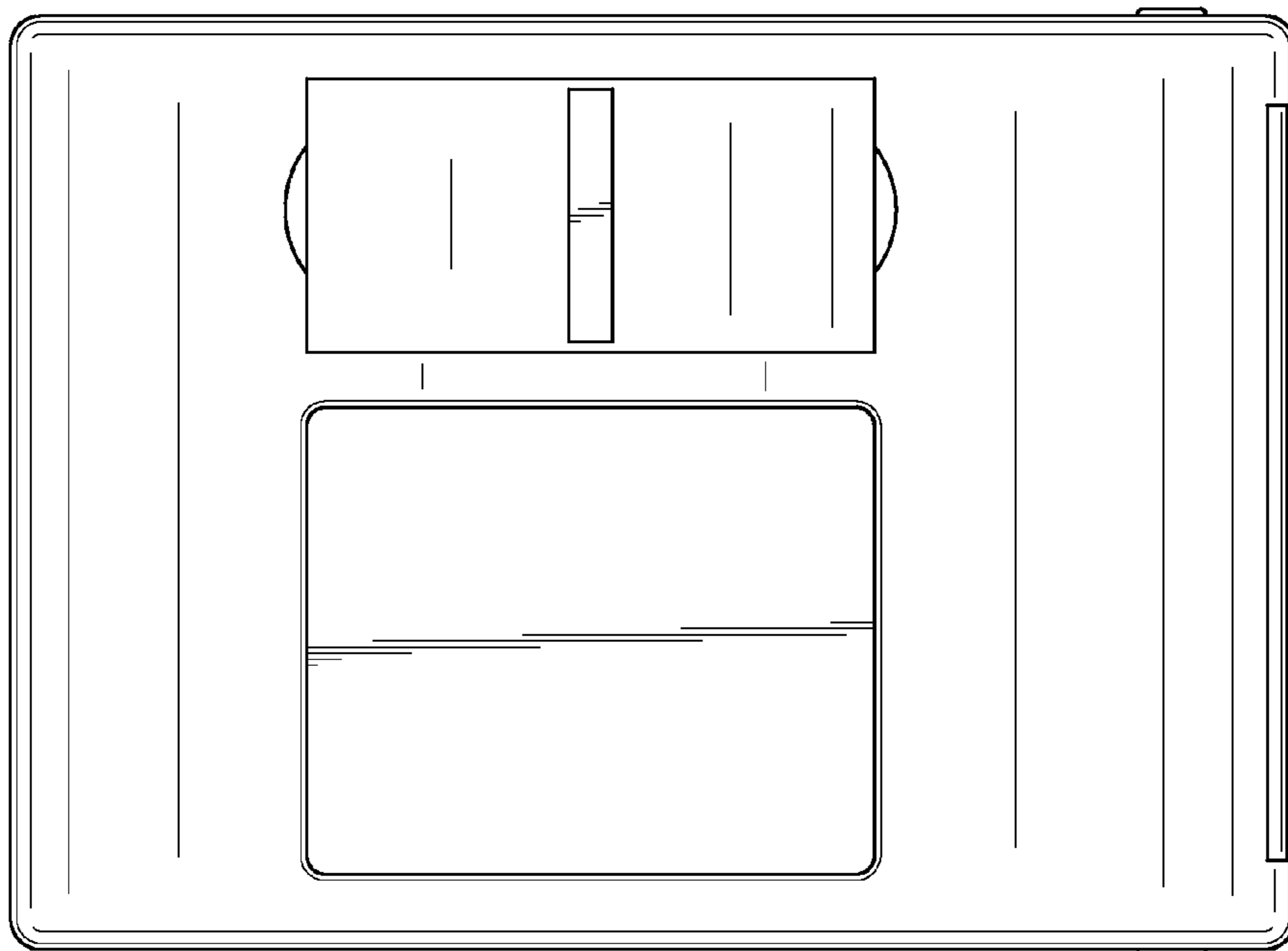
FIG. 7 is a back elevational view thereof.

**1 Claim, 3 Drawing Sheets**

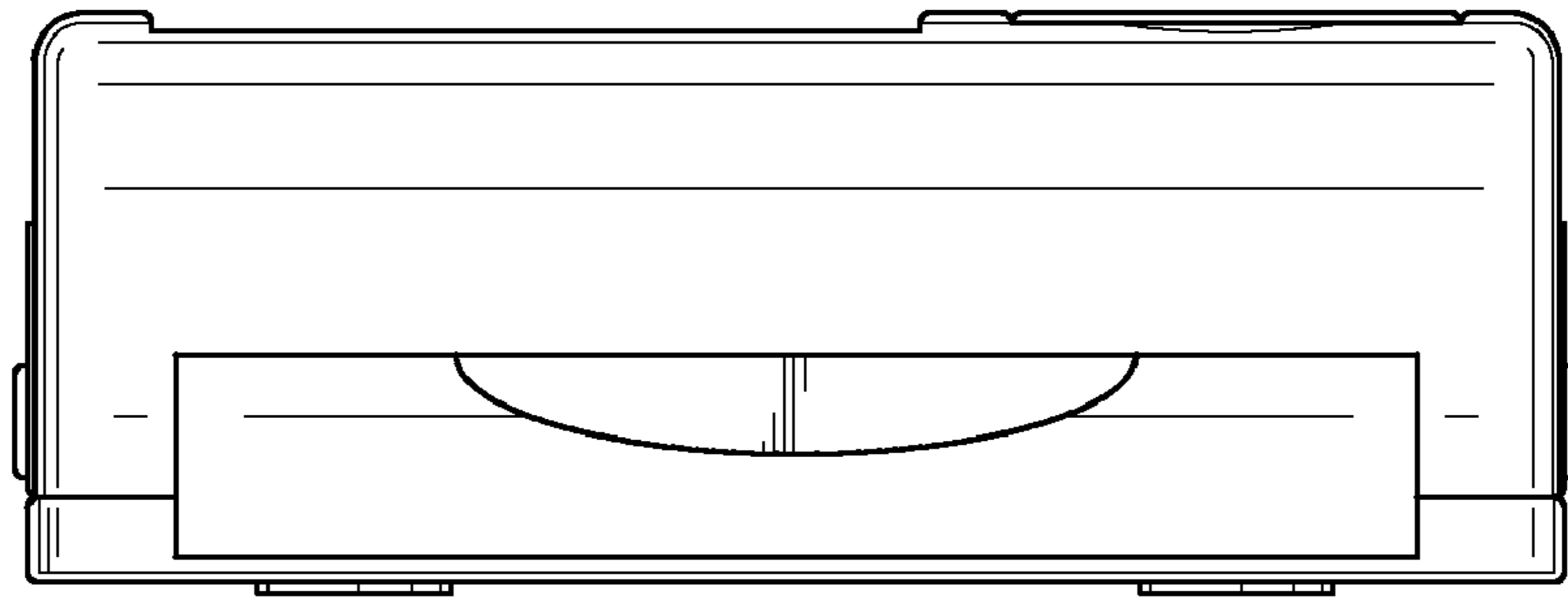




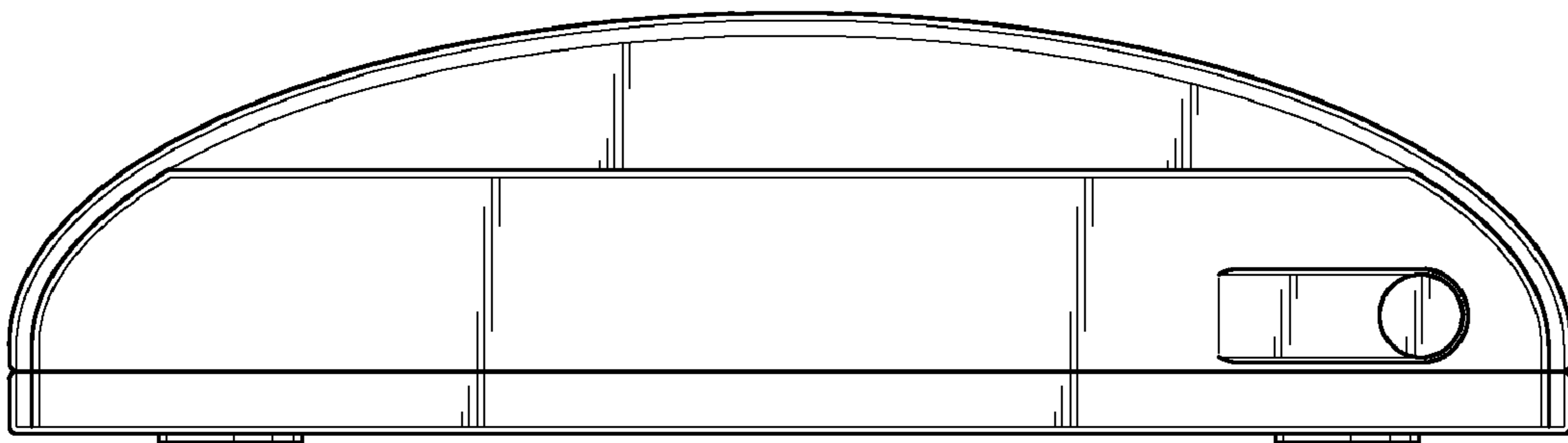
*FIG. 1*



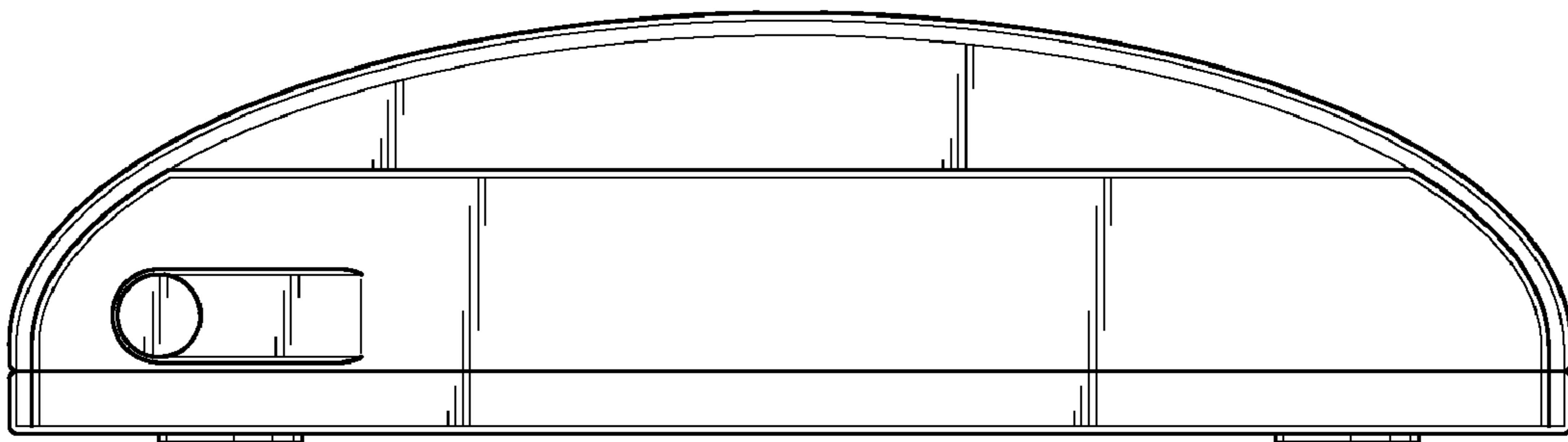
*FIG. 2*



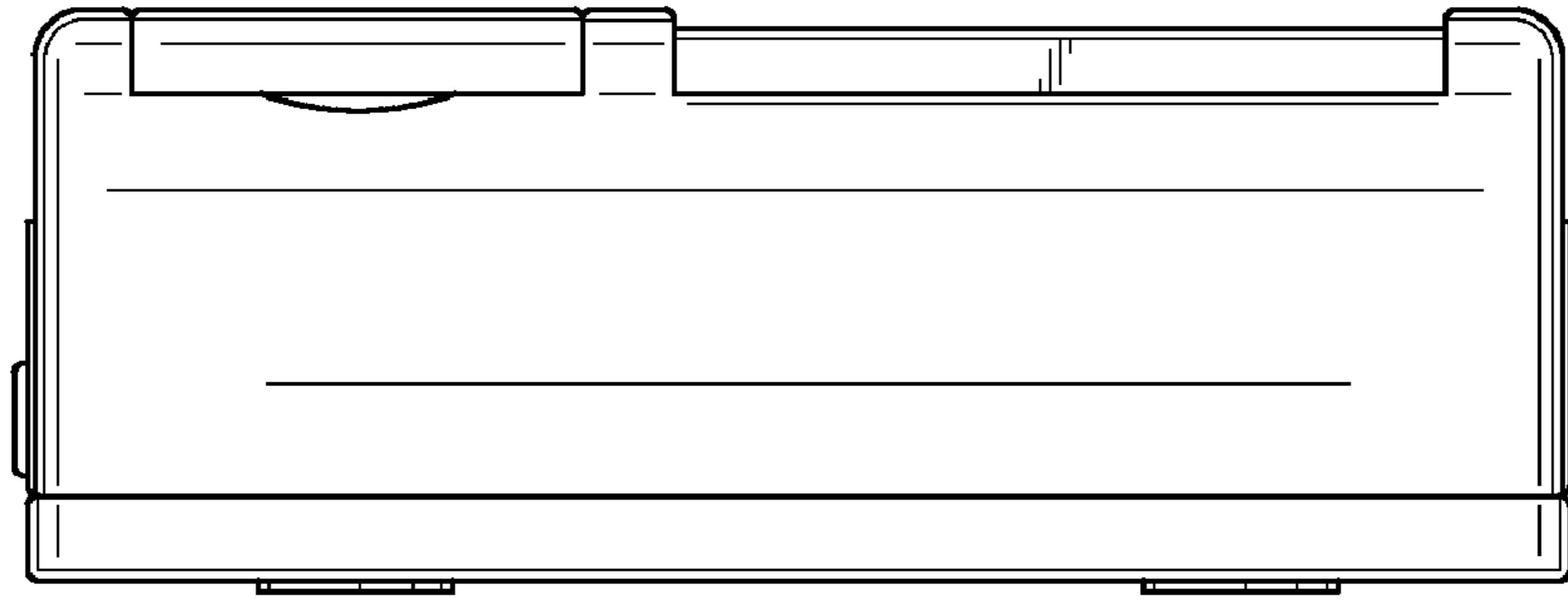
*FIG. 3*



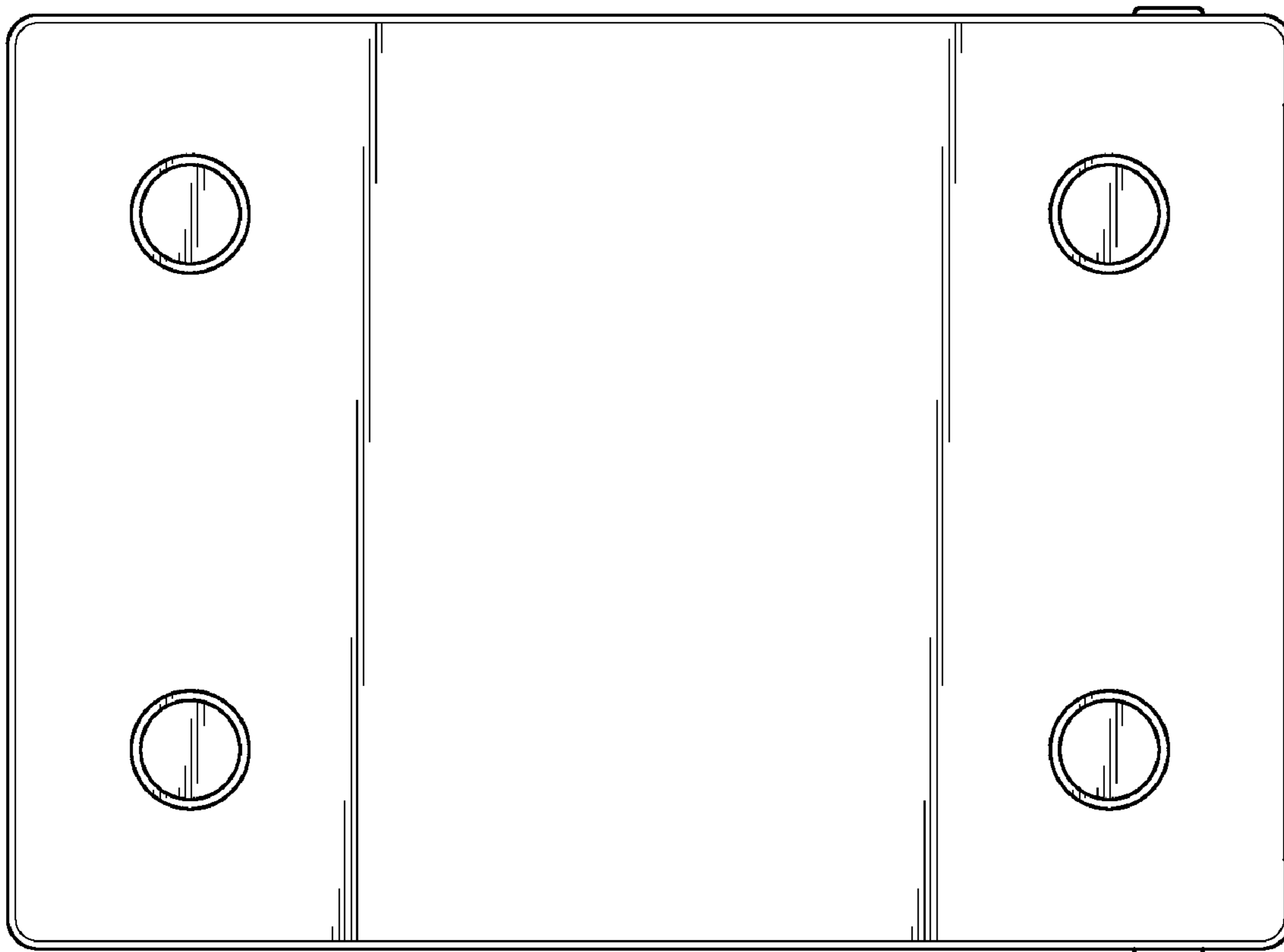
*FIG. 4*



*FIG. 5*



*FIG. 6*



*FIG. 7*