



US00D581464S

(12) **United States Design Patent**
Hicks

(10) **Patent No.:** **US D581,464 S**

(45) **Date of Patent:** **** Nov. 25, 2008**

(54) **SPECIES IDENTIFICATION DEVICE**

(75) Inventor: **Mike Hicks**, Alexandria, VA (US)

(73) Assignee: **BMT Designers & Planners, Inc.**,
Arlington, VA (US)

(**) Term: **14 Years**

(21) Appl. No.: **29/298,244**

(22) Filed: **Nov. 30, 2007**

(51) **LOC (8) Cl.** **19-01**

(52) **U.S. Cl.** **D19/64**

(58) **Field of Classification Search** D10/97;
D19/59, 62, 64; D21/362; 434/98, 198,
434/206, 296, 402-405

See application file for complete search history.

(56) **References Cited**

U.S. PATENT DOCUMENTS

| | | | | |
|----------------|--------|-----------|-------|---------|
| 1,816,760 A * | 7/1931 | Barnowitz | | D19/64 |
| D110,721 S * | 8/1938 | Hilder | | D19/64 |
| D347,664 S * | 6/1994 | Sriram | | D19/64 |
| 6,557,394 B2 * | 5/2003 | Doty | | 434/404 |

OTHER PUBLICATIONS

Views of whale identification wheel device entitled
“Whales—Fragile Giants of the Sea”, Canada National Museum of
Natural Sciences, 1983.

Views of Whale identification wheel device entitled “Whale Protec-
tion”, United States Navy.

Views of information wheel device entitled “U.S. Navy Pollution
Discharge Restrictions”, United States Navy.

* cited by examiner

Primary Examiner—Antoine D Davis

(74) *Attorney, Agent, or Firm*—Miles & Stockbridge P.C.

(57) **CLAIM**

The ornamental design for a species identification device, as
shown and described.

DESCRIPTION

FIG. 1 is a perspective view of a species identification device
showing my new design;

FIG. 2 is a front view thereof;

FIG. 3 is a top view thereof;

FIG. 4 is a right side view thereof;

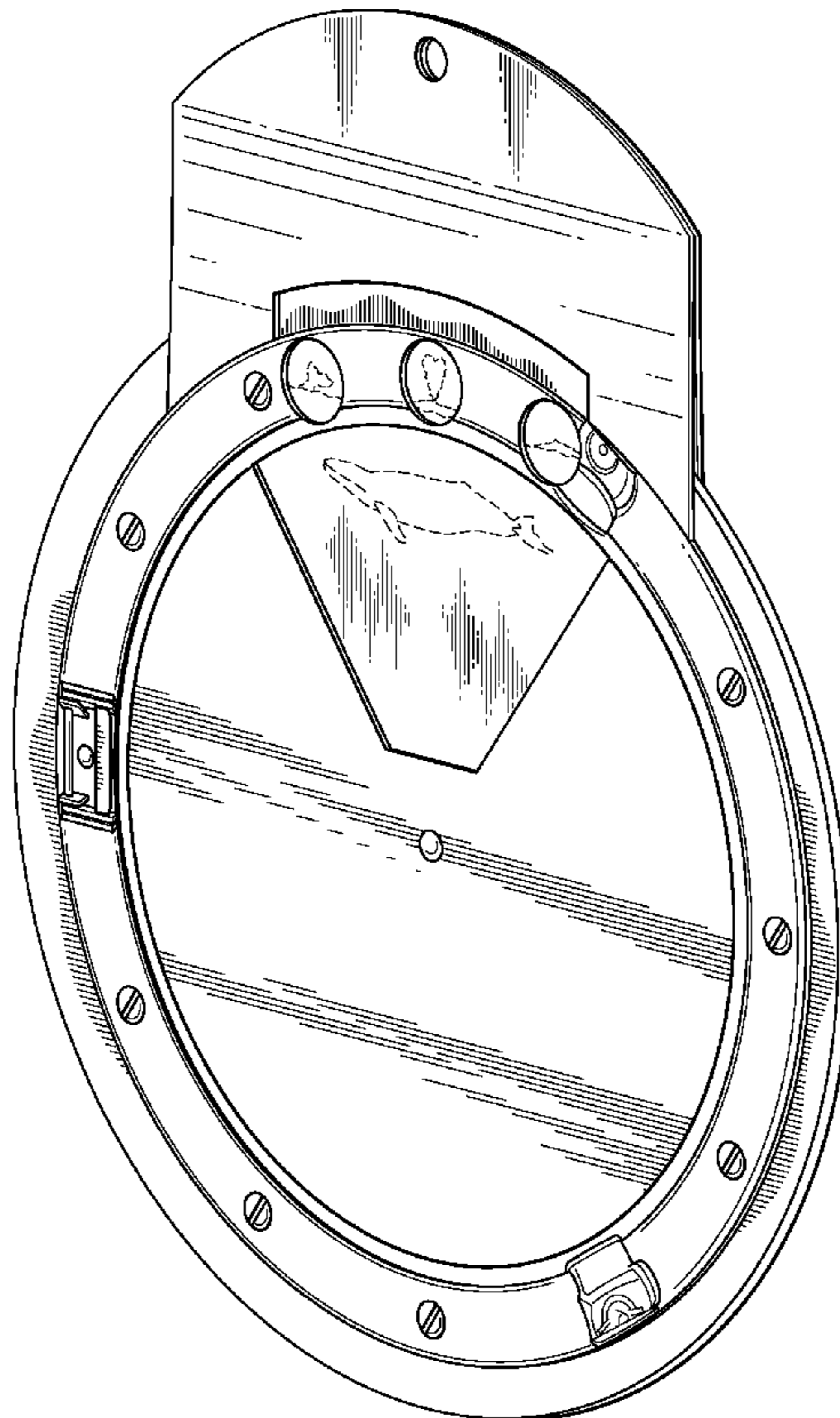
FIG. 5 is a rear view thereof;

FIG. 6 is a bottom view thereof; and,

FIG. 7 is a left side view thereof.

The broken lines showing representations of whales and iden-
tifying characteristics thereof are for illustrative purposes
only and form no part of the claimed design.

1 Claim, 3 Drawing Sheets



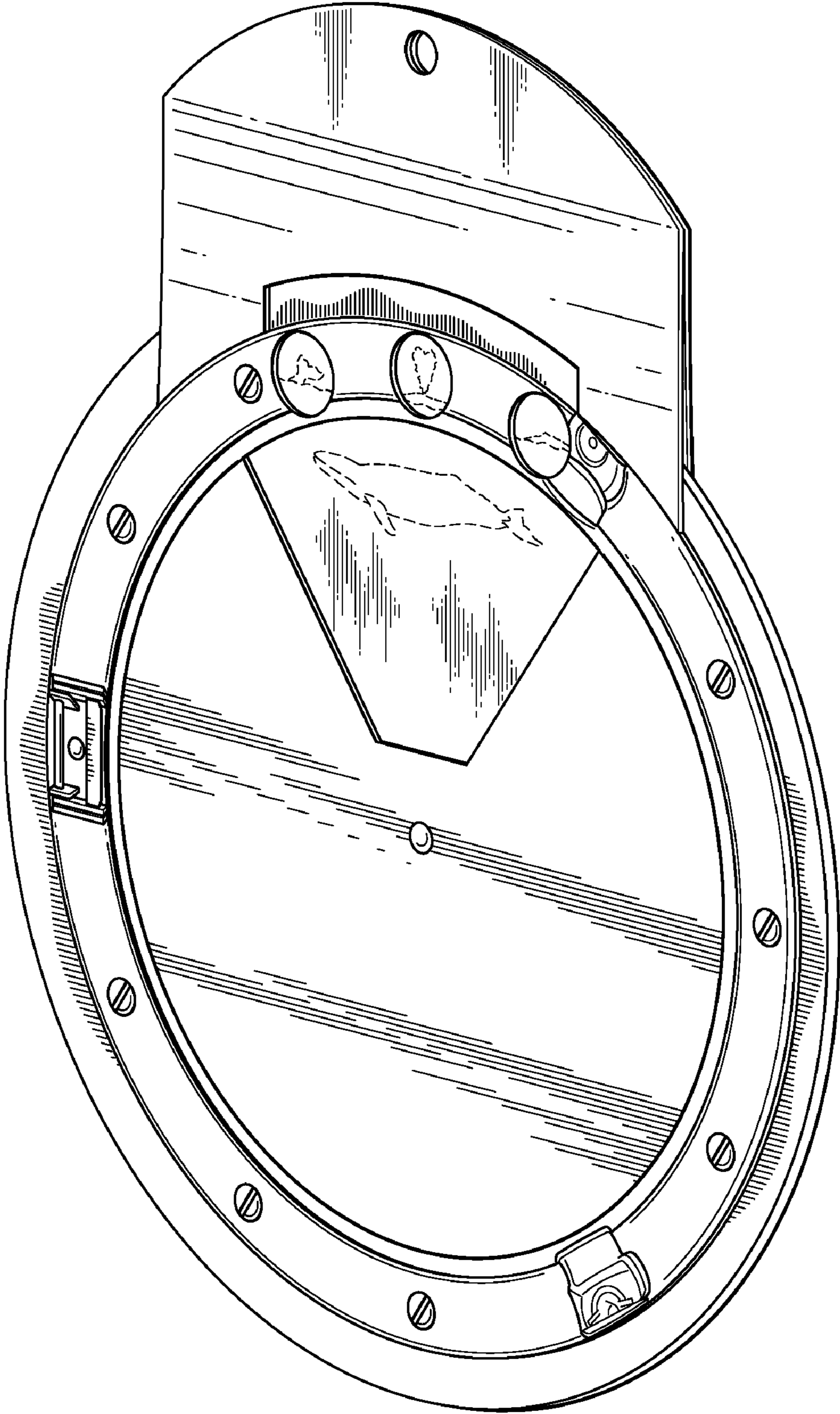


FIG. 1



FIG. 3

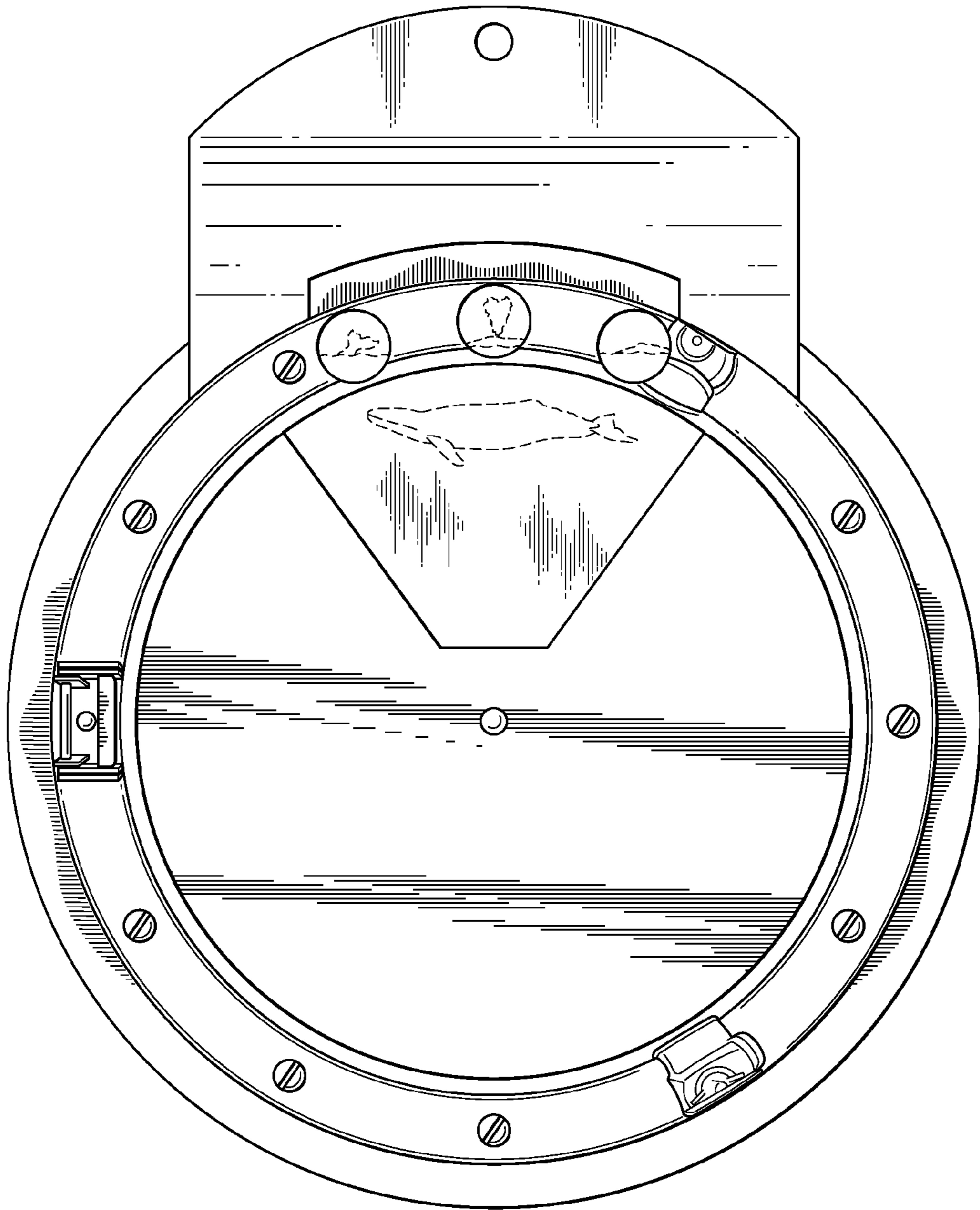


FIG. 2



FIG. 4



FIG. 7

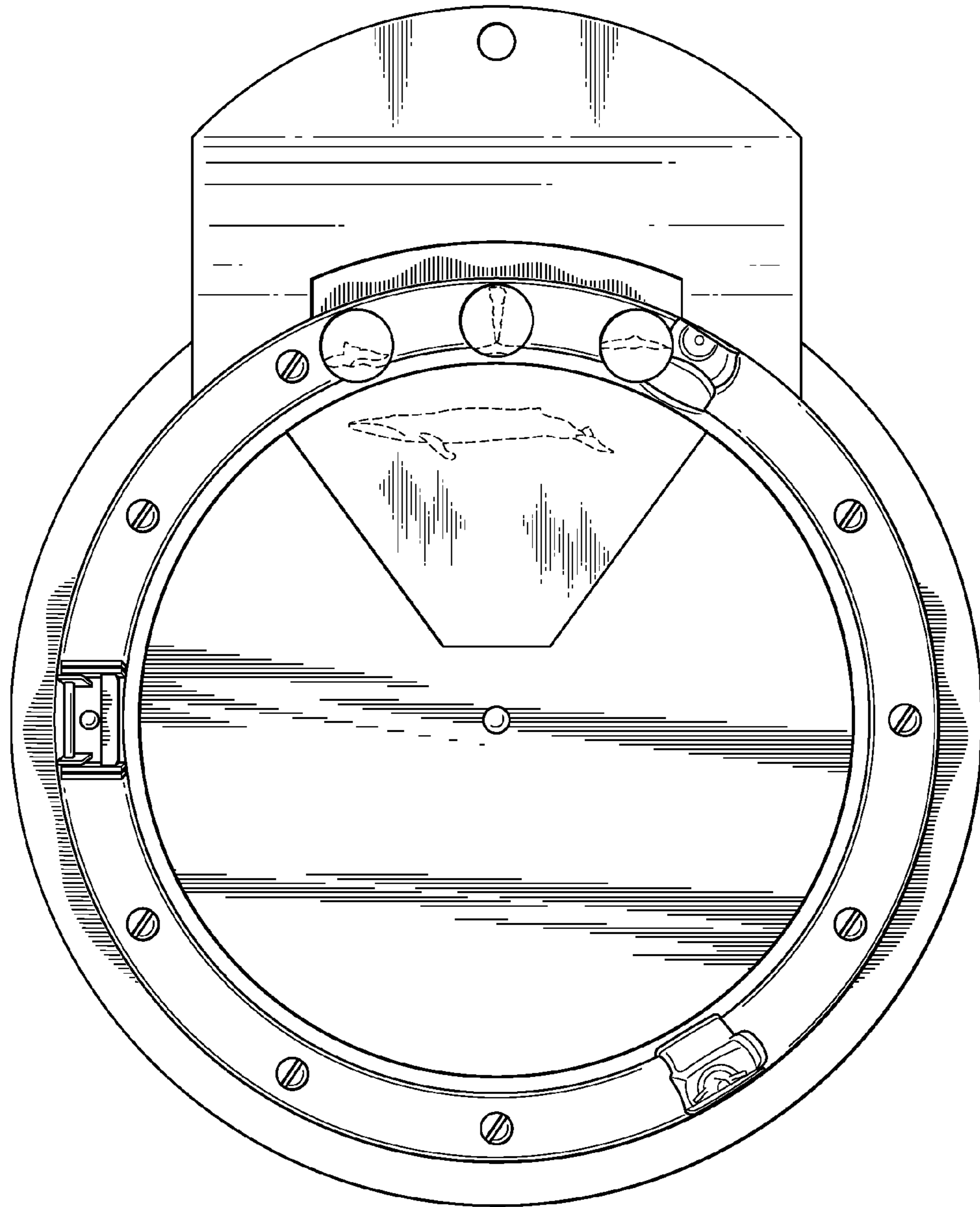


FIG. 5



FIG. 6