



US00D581458S

(12) **United States Design Patent**
Stockstill et al.

(10) **Patent No.:** **US D581,458 S**
(45) **Date of Patent:** **** Nov. 25, 2008**

(54) **DEVICE FOR STORING PAPERS OR THE LIKE**

(75) Inventors: **Mark Richards Stockstill**, Dayton, OH (US); **Dan Edward Mueller**, Kettering, OH (US); **Greg Wyatt Simmons**, Springboro, OH (US)

(73) Assignee: **MeadWestvaco Corporation**, Glen Allen, VA (US)

(**) Term: **14 Years**

(21) Appl. No.: **29/298,788**

(22) Filed: **Dec. 13, 2007**

Related U.S. Application Data

(62) Division of application No. 29/258,399, filed on Apr. 20, 2006.

(51) **LOC (8) Cl.** **19-04**

(52) **U.S. Cl.** **D19/26**

(58) **Field of Classification Search** D16/26-27, D16/33; D3/247, 294, 299, 303; 28/78, 28/85; 40/530, 536-537; 206/472, 556
See application file for complete search history.

(56) **References Cited**

U.S. PATENT DOCUMENTS

- 2,568,430 A * 9/1951 Casabianca 301/108.1
- 4,856,817 A 8/1989 Moor
- D313,619 S 1/1991 Moor
- D414,801 S * 10/1999 Karten et al. D19/27
- 6,030,140 A * 2/2000 Karten et al. 402/73

- D424,615 S * 5/2000 Wyant D19/32
- 6,347,810 B1 * 2/2002 Dottel 281/29
- D459,391 S * 6/2002 Huang D19/27
- D476,682 S 7/2003 Berry et al.
- D490,762 S * 6/2004 Layman D12/213
- D493,483 S 7/2004 Wehmeyer et al.
- D499,761 S 12/2004 Walley et al.
- D504,463 S 4/2005 Wehmeyer
- D513,279 S 12/2005 Hough et al.
- D518,105 S 3/2006 Hough et al.
- D521,072 S * 5/2006 Hough et al. D19/90

* cited by examiner

Primary Examiner—Elizabeth A. Albert
Assistant Examiner—Kelley A Donnelly

(57) **CLAIM**

The ornamental design for a device for storing papers or the like, as shown and described.

DESCRIPTION

FIG. 1 is a perspective view of a device for storing papers or the like.

FIG. 2 is a front view of the device of FIG. 1.

FIG. 3 is a left side view of the device of FIG. 1.

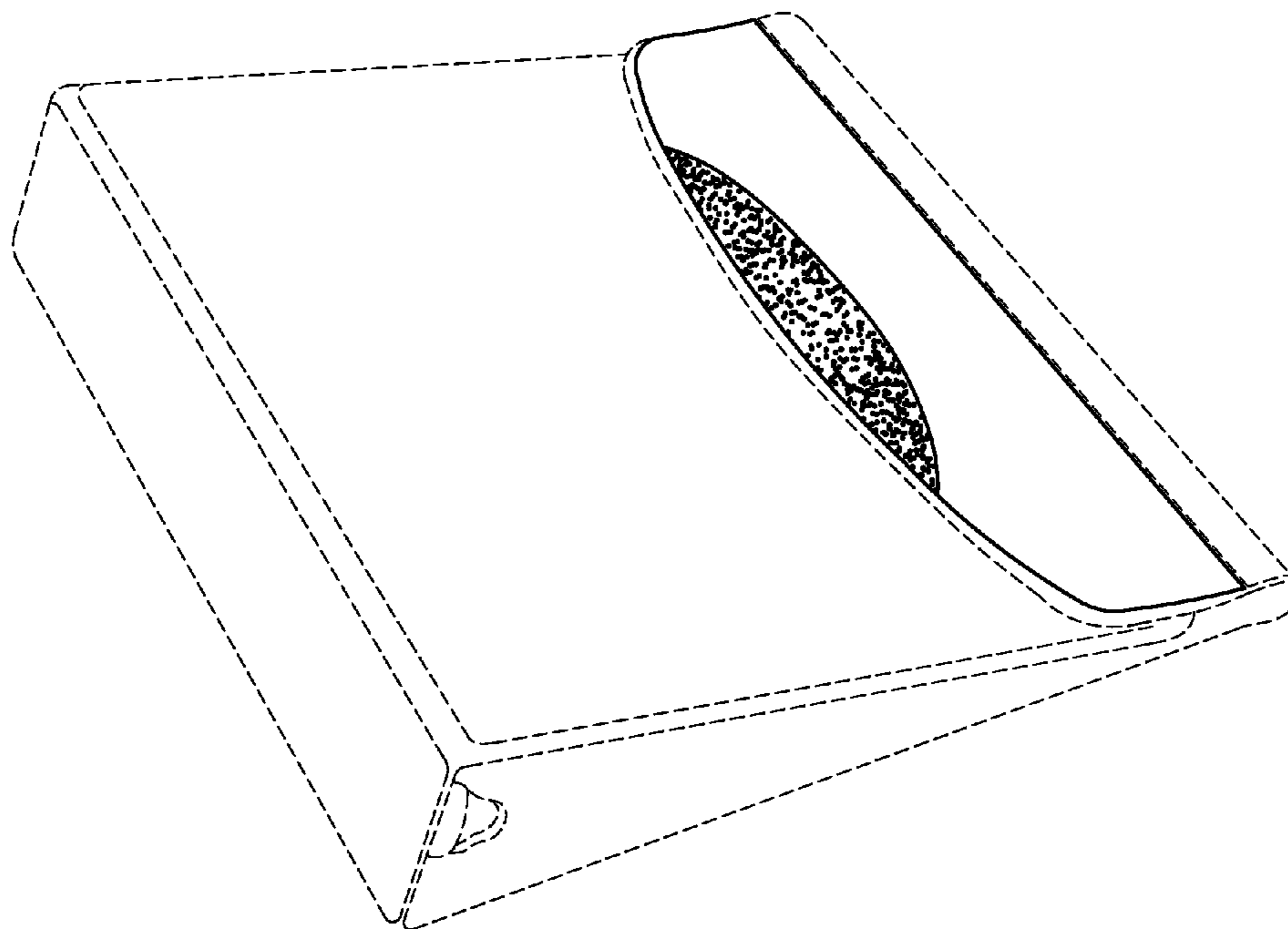
FIG. 4 is a right side view of the device of FIG. 1; and,

FIG. 5 is a top view of the device of FIG. 1.

The broken lines are for environmental purposes only and form no part of the claimed design.

The “stipple” shading that can be seen in FIGS. 1 and 2 is used to represent a type of surface material.

1 Claim, 3 Drawing Sheets



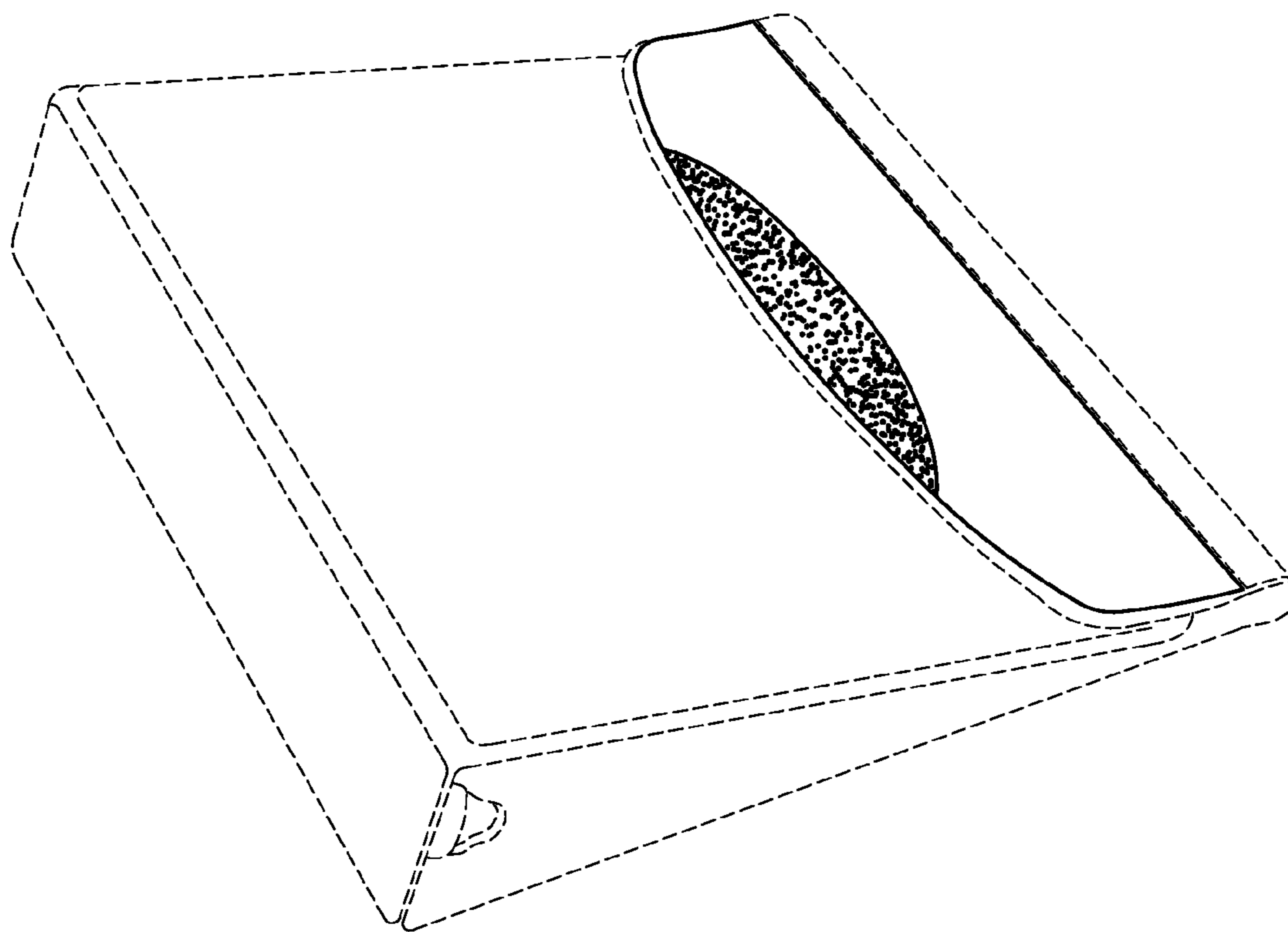


FIG. 1

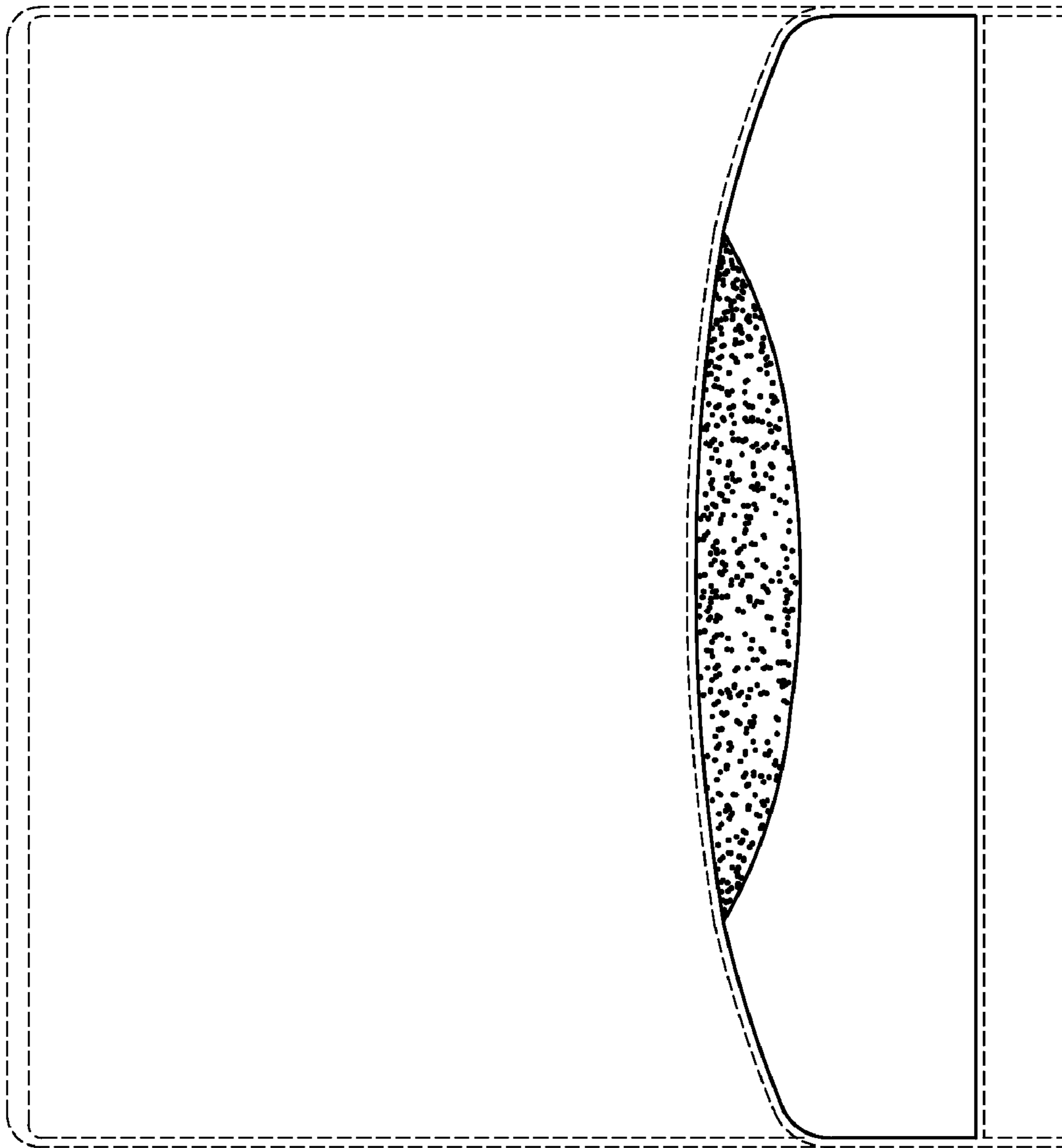


FIG. 2

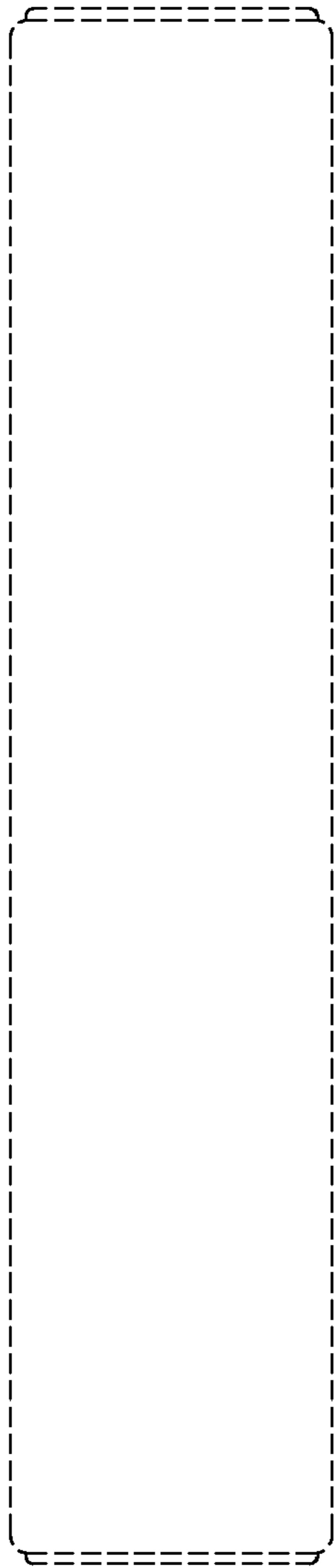


FIG. 3

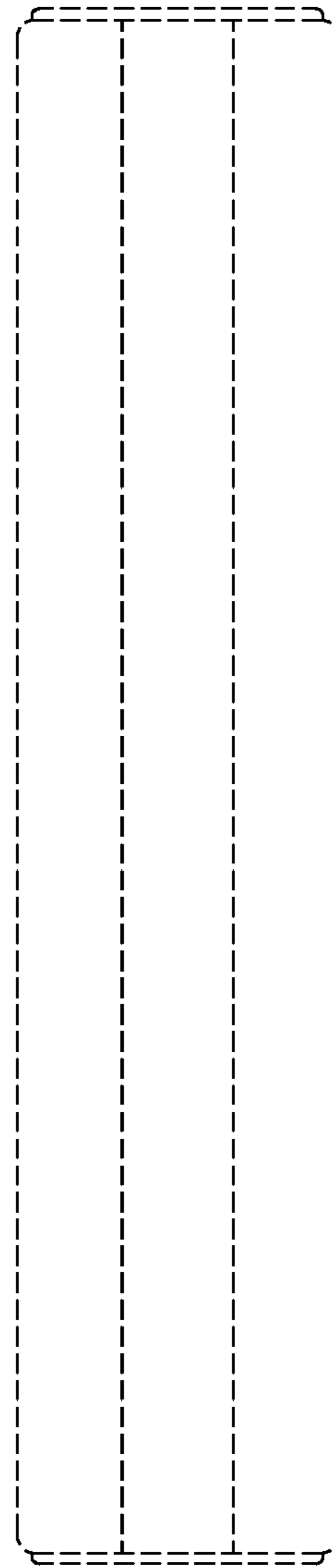


FIG. 4

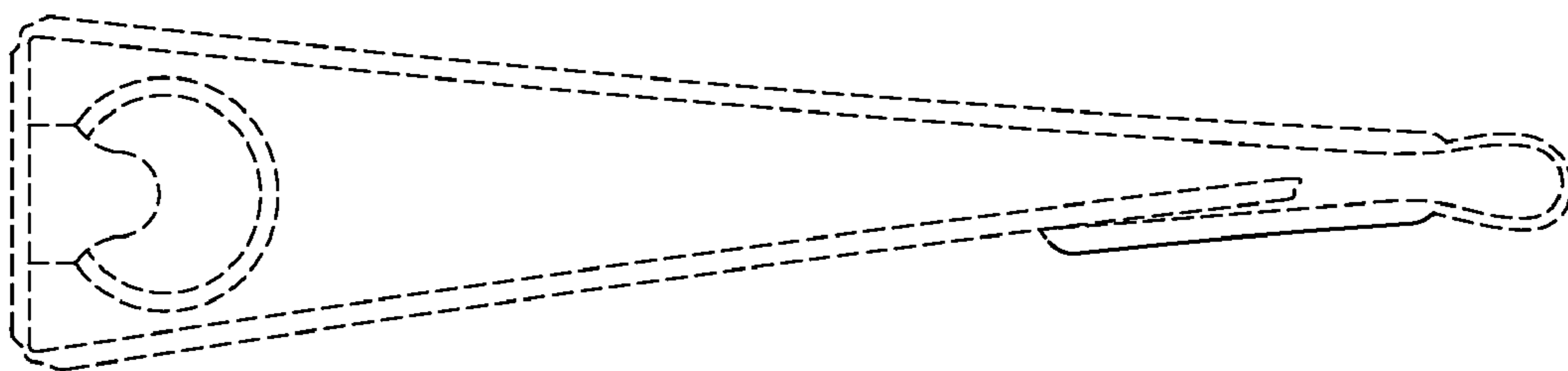


FIG. 5