



US00D581457S

(12) **United States Design Patent**  
**Yoshino**

(10) **Patent No.:** **US D581,457 S**  
(45) **Date of Patent:** **\*\* Nov. 25, 2008**

(54) **WASTE INK BOX FOR PRINTER**

(75) Inventor: **Keiichiro Yoshino**, Matsumoto (JP)

(73) Assignee: **Seiko Epson Corporation** (JP)

(\*\*) Term: **14 Years**

(21) Appl. No.: **29/301,415**

(22) Filed: **Feb. 28, 2008**

**Related U.S. Application Data**

(62) Division of application No. 29/272,826, filed on Feb. 16, 2007, now Pat. No. Des. 573,180.

(30) **Foreign Application Priority Data**

Aug. 30, 2006 (JP) ..... 2006-022951  
Aug. 30, 2006 (JP) ..... 2006-022952

(51) **LOC (8) Cl.** ..... **18-02**

(52) **U.S. Cl.** ..... **D18/56; 347/36; 347/86**

(58) **Field of Classification Search** ..... D18/40,  
D18/43, 56; 347/34, 36, 86-87

See application file for complete search history.

(56) **References Cited**

**U.S. PATENT DOCUMENTS**

4,437,104	A	3/1984	Hudson
4,524,365	A	6/1985	Kakeno et al.
4,673,955	A	6/1987	Ameyama et al.
4,855,762	A	8/1989	Suzuki
4,901,094	A	2/1990	Iwagami et al.
5,221,935	A	6/1993	Uzita
D340,063	S	10/1993	Chow
D375,756	S	11/1996	Murray et al.
5,686,947	A	11/1997	Murray et al.
D392,995	S	3/1998	Sasaki
5,774,142	A	6/1998	Nguyen et al.
5,953,031	A	9/1999	Omata et al.
6,059,402	A	5/2000	Martens
6,203,137	B1	3/2001	Niimura et al.
6,220,314	B1	4/2001	Sato

6,338,541	B1	1/2002	Iwata et al.
6,341,837	B1	1/2002	Jung
6,361,142	B1	3/2002	Otsuka et al.
6,629,750	B2	10/2003	Ciordia
D490,846	S	6/2004	Suzuki et al.
D492,962	S	7/2004	Suzuki et al.
D500,073	S	12/2004	Rousseau
6,860,583	B2	3/2005	Cheney et al.
D552,672	S	10/2007	Haney
7,360,864	B2 *	4/2008	Kawai et al. .... 347/36
D569,900	S *	5/2008	Yamamoto et al. .... D18/43
2002/0018093	A1	2/2002	Sugimoto et al.
2003/0112289	A1	6/2003	Berg et al.
2005/0018009	A1	1/2005	Otsubo
2005/0195241	A1	9/2005	Kawai et al.
2007/0030304	A1	2/2007	Yamada

\* cited by examiner

*Primary Examiner*—Cathy Anne MacCormac  
(74) *Attorney, Agent, or Firm*—Harness, Dickey & Pierce, P.L.C.

(57) **CLAIM**

The ornamental design for a waste ink box for printer, as shown and described.

**DESCRIPTION**

FIG. 1 is a top, front and left side perspective view of a waste ink box for printer embodying my new design;

FIG. 2 is a bottom, front and right side perspective view thereof;

FIG. 3 is a rear view thereof;

FIG. 4 is a front view thereof;

FIG. 5 is a right side view thereof;

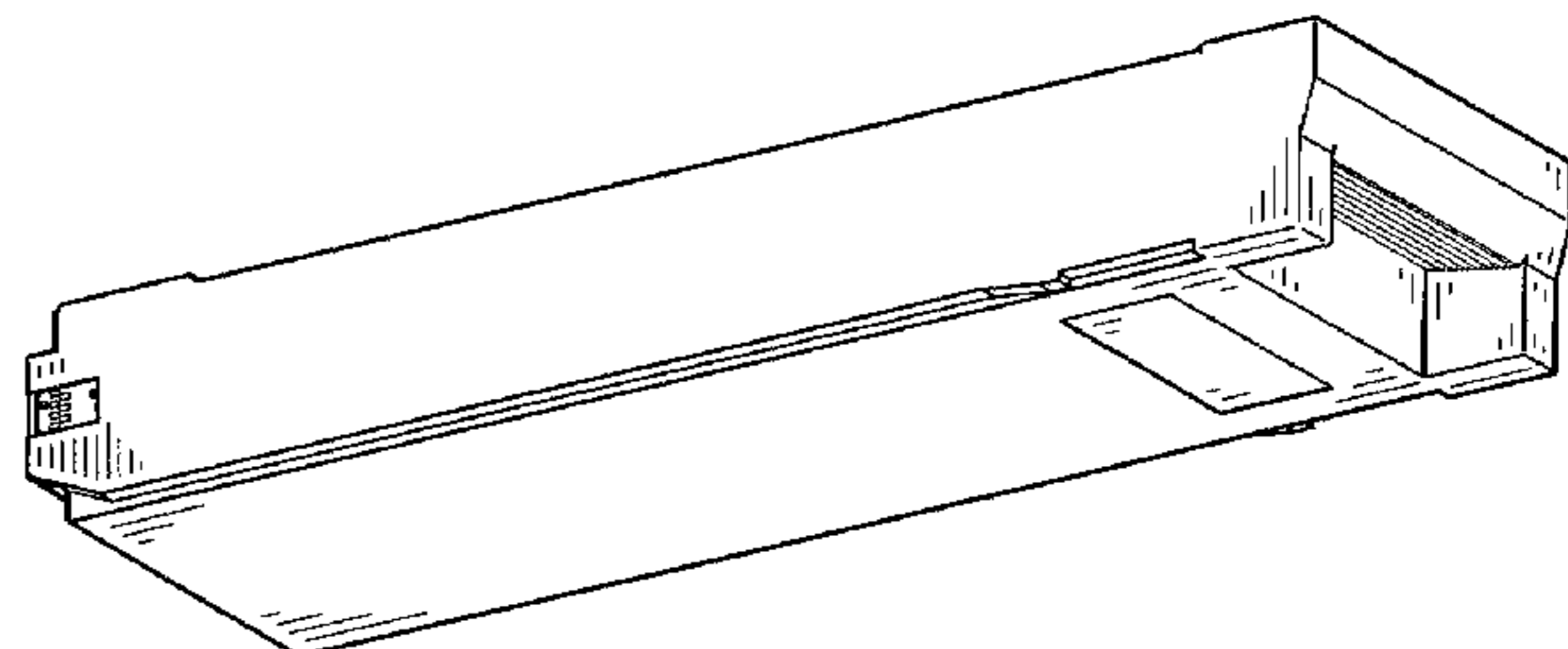
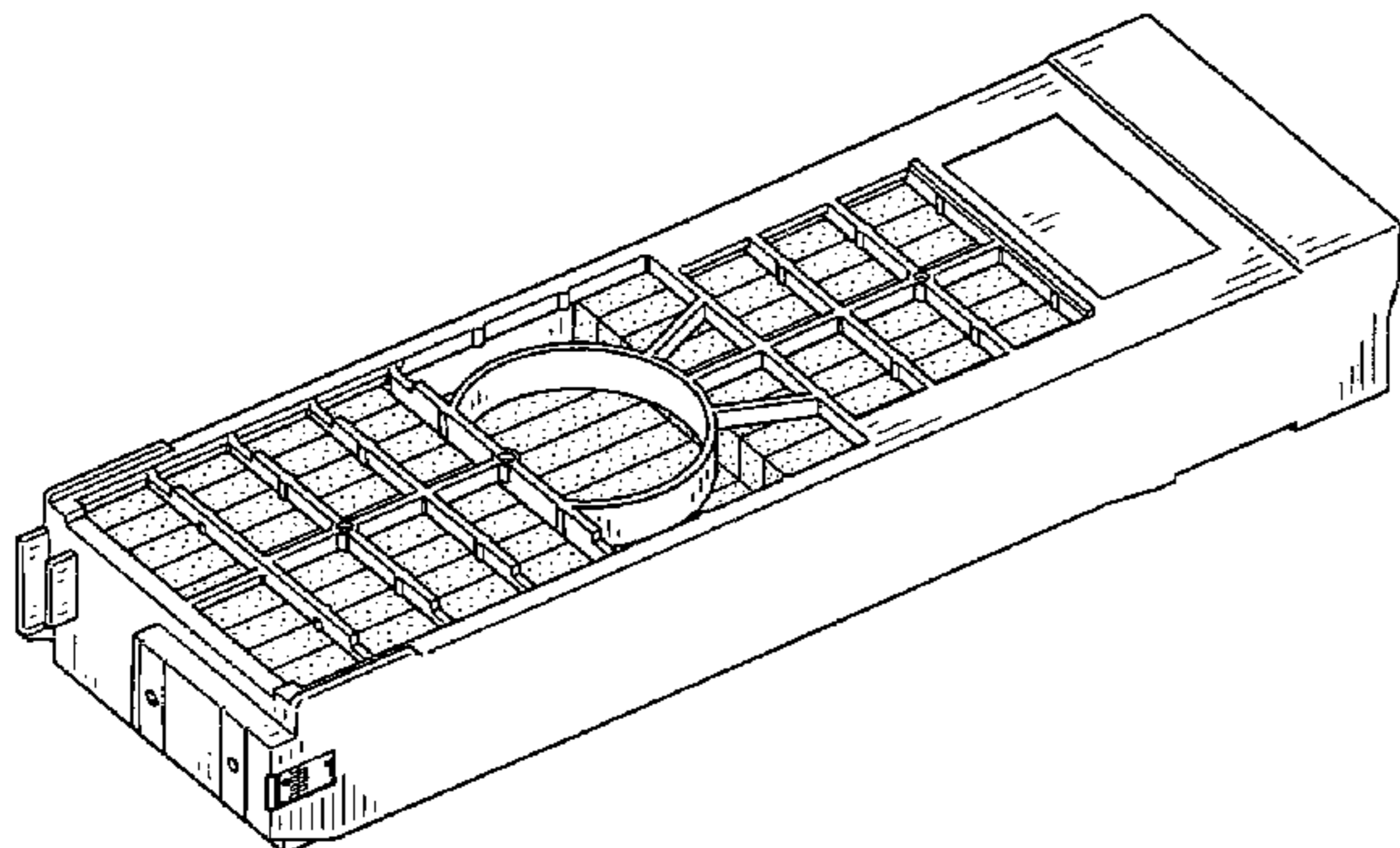
FIG. 6 is a left side view thereof;

FIG. 7 is a top view thereof;

FIG. 8 is a bottom view thereof; and,

FIG. 9 is an enlarged partial perspective view thereof, as viewed from the bottom, front and right side.

**1 Claim, 4 Drawing Sheets**



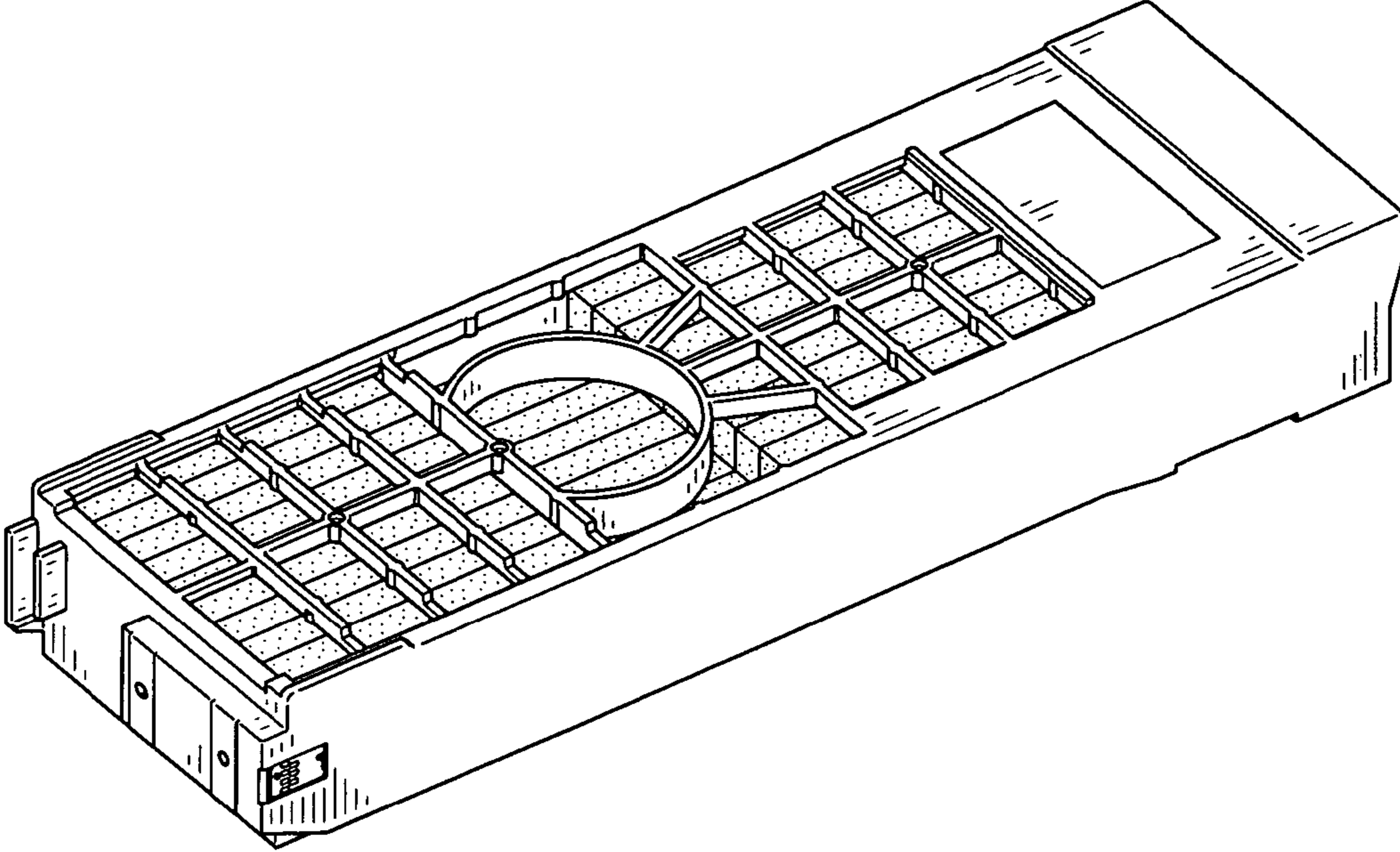


FIG. 1

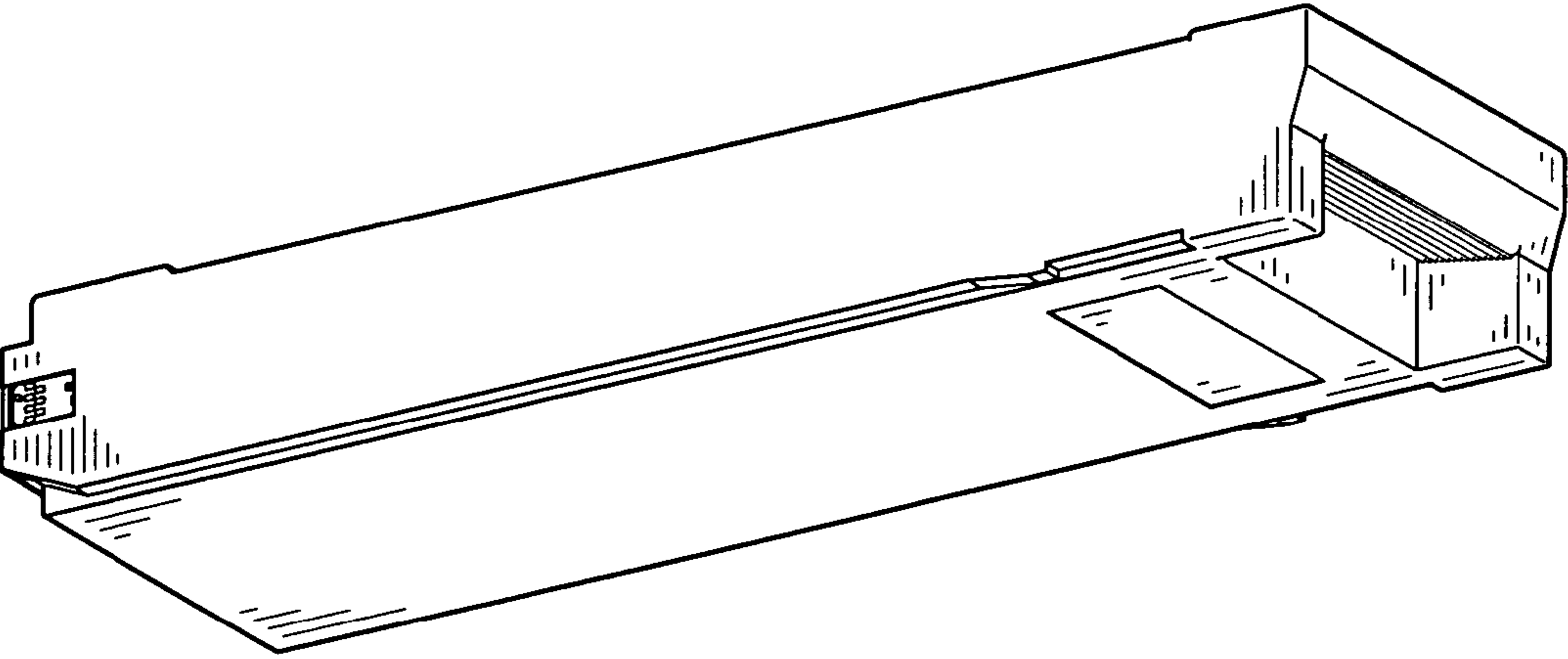


FIG. 2

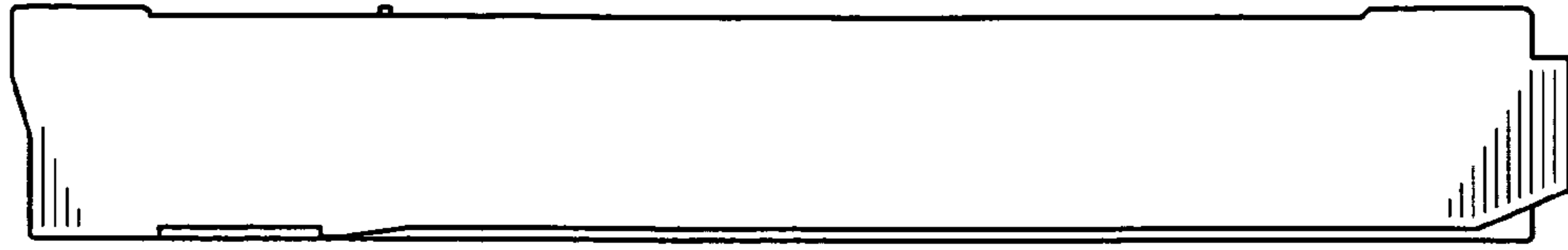


FIG. 3

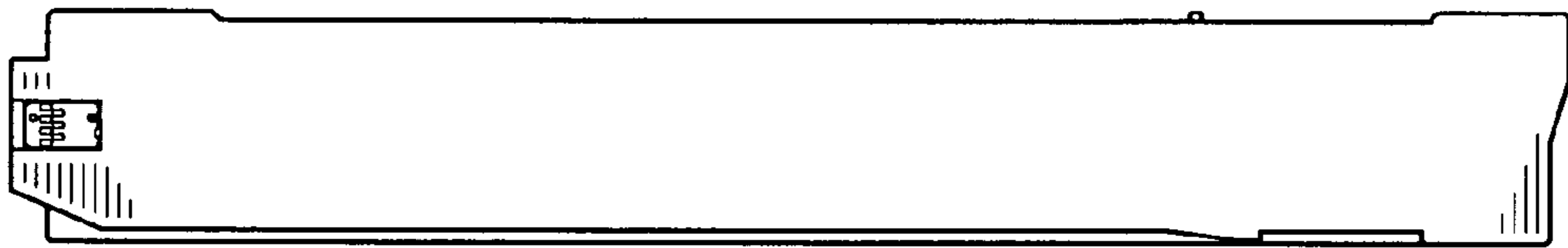


FIG. 4

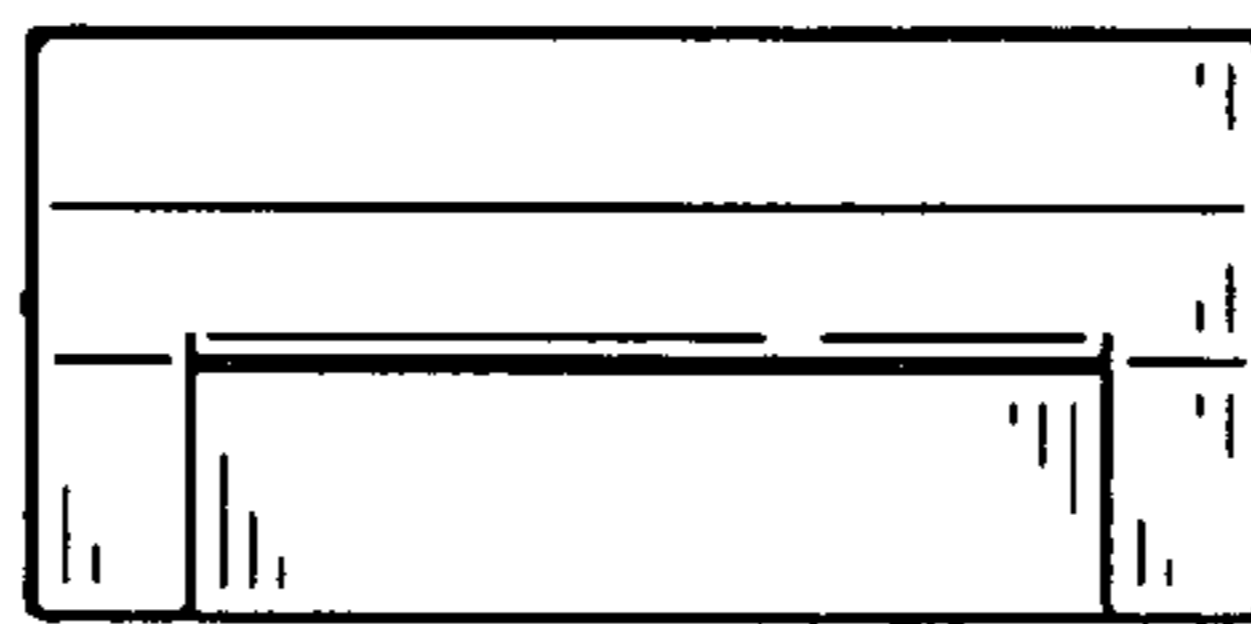


FIG. 5

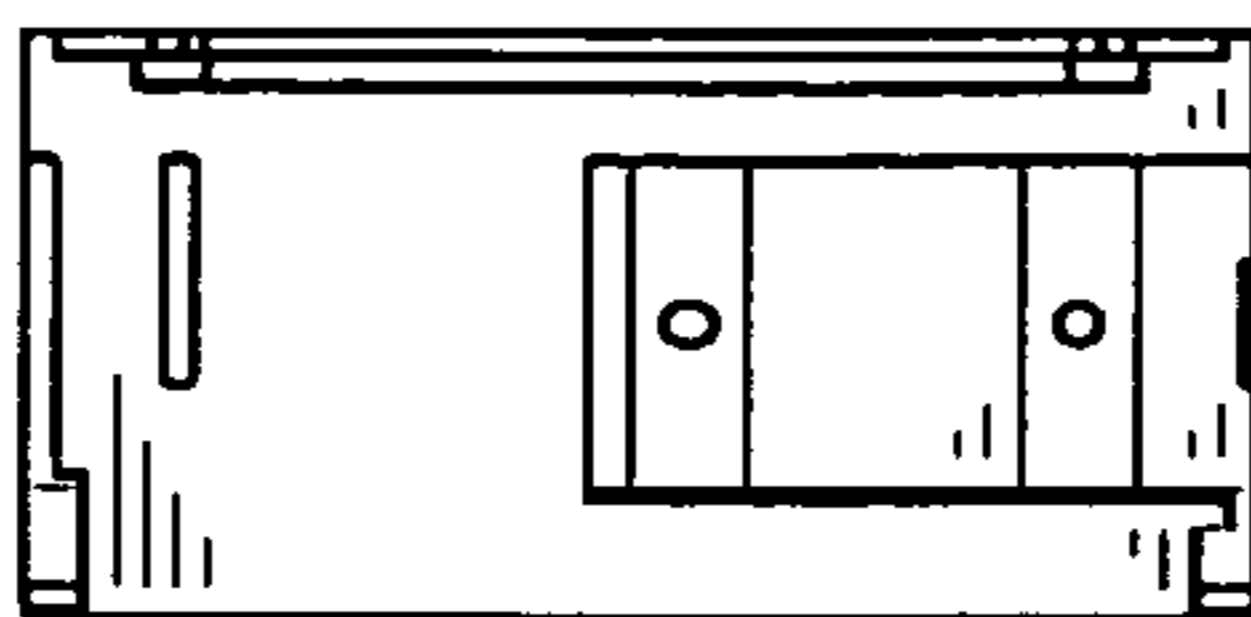


FIG. 6

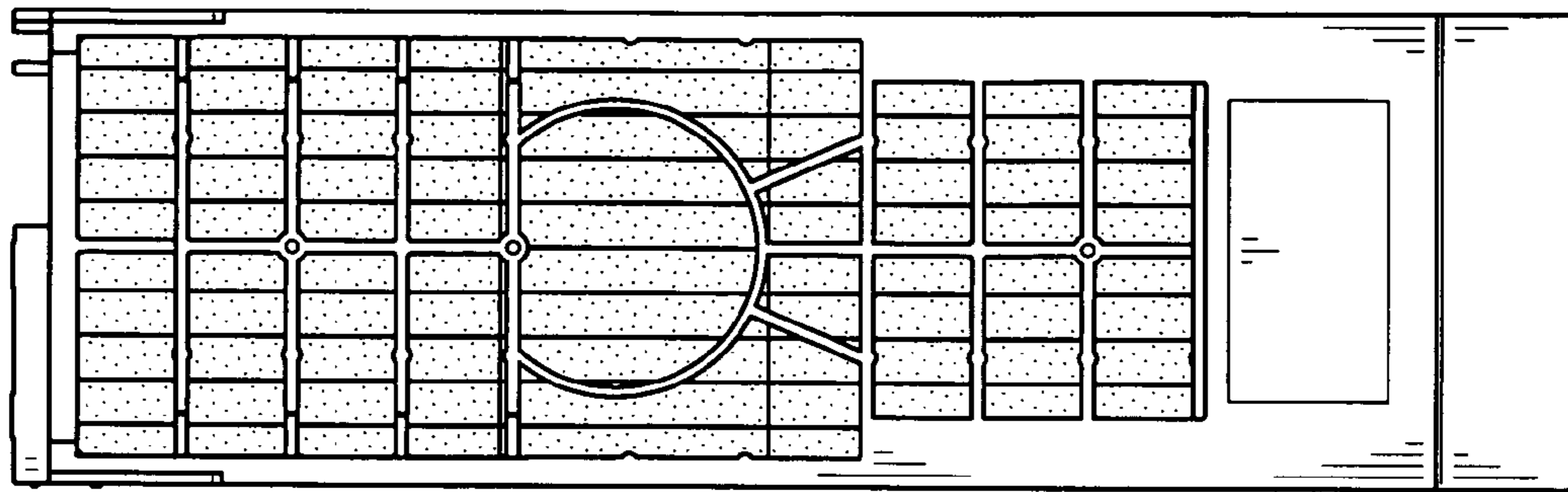


FIG. 7

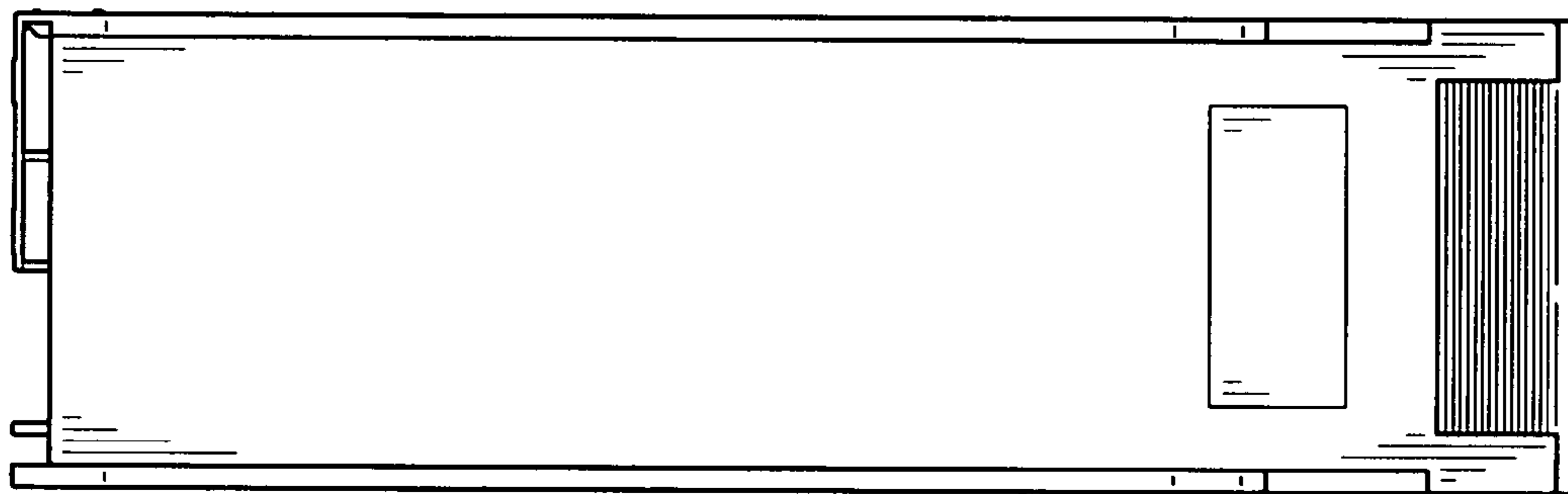


FIG. 8

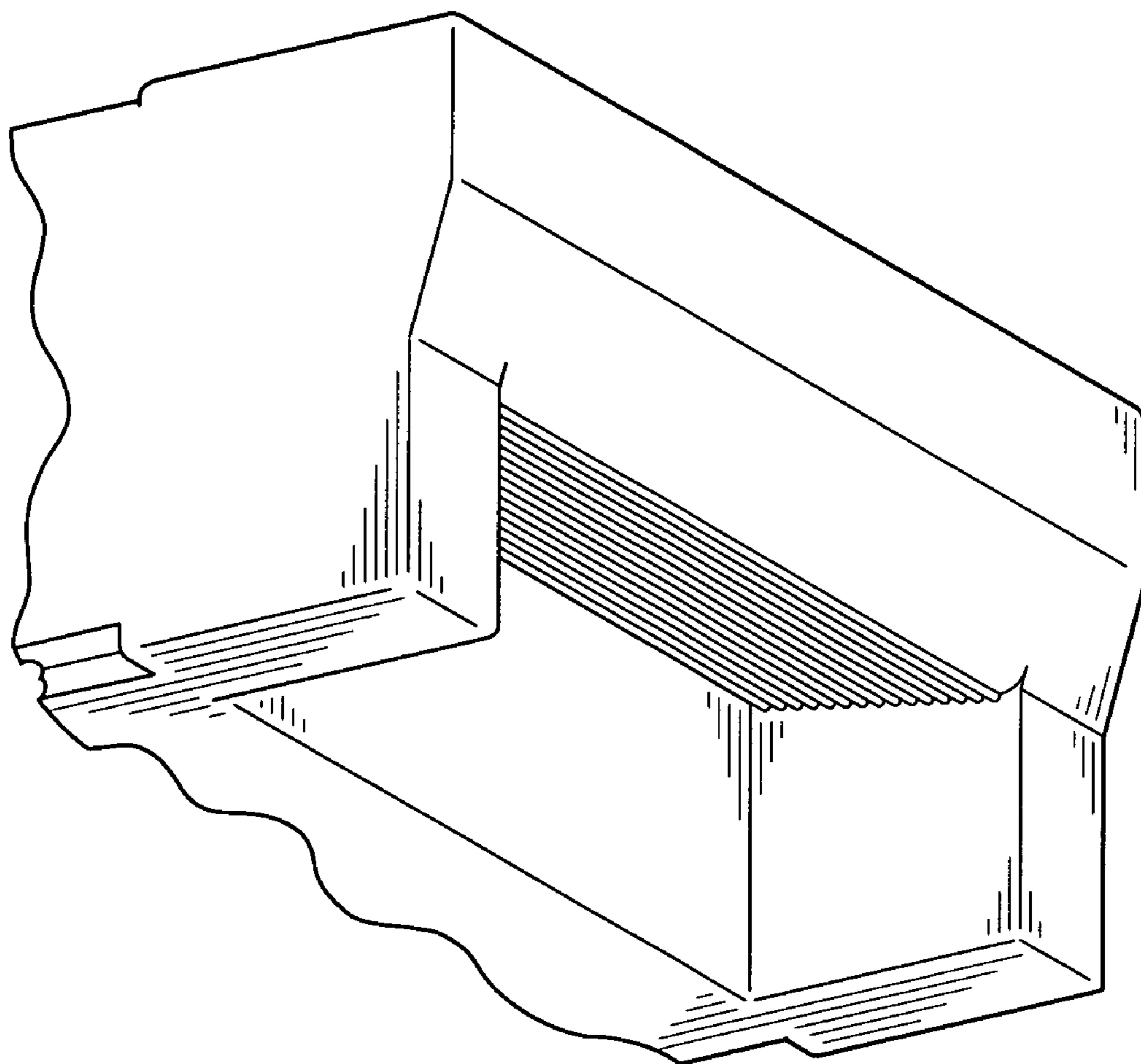


FIG. 9