



US00D581455S

(12) **United States Design Patent**  
**Davies et al.**

(10) **Patent No.:** **US D581,455 S**

(45) **Date of Patent:** **\*\* Nov. 25, 2008**

(54) **CUTTING APPARATUS**

(75) Inventors: **Gareth Davies**, Bridgend (GB); **Simon Bathard**, Bridgend (GB)

(73) Assignee: **Tonic Studios Limited**, Mid Glamorgan (GB)

(\*\*) Term: **14 Years**

(21) Appl. No.: **29/303,654**

(22) Filed: **Feb. 14, 2008**

(30) **Foreign Application Priority Data**

Sep. 25, 2007 (GB) ..... 000795364

(51) **LOC (8) Cl.** ..... **18-04**

(52) **U.S. Cl.** ..... **D18/34.8**

(58) **Field of Classification Search** ..... D18/34.1-34.9;  
241/100, 236, 101.78, 36; 83/613, 614, 623,  
83/485, 57-68; 164/468; 30/294, 296.1,  
30/275.4, 276

See application file for complete search history.

(56) **References Cited**

**U.S. PATENT DOCUMENTS**

- 2,345,450 A \* 3/1944 Blanc ..... 83/468
- D319,840 S \* 9/1991 Hatsumi et al. .... D18/34.8
- D348,271 S \* 6/1994 Mori ..... D18/34.8
- D353,150 S \* 12/1994 Mori ..... D18/34.8
- D387,377 S \* 12/1997 Daley, Jr. .... D18/34.8
- D417,693 S \* 12/1999 Daley, Jr. .... D18/34.8
- D501,500 S \* 2/2005 Schultz et al. .... D18/34.8
- D501,501 S \* 2/2005 Schultz et al. .... D18/34.8

- D528,590 S \* 9/2006 Bathard et al. .... D18/34.8
- D531,204 S \* 10/2006 Nakamura ..... D18/34.8
- D536,367 S \* 2/2007 Gunter et al. .... D18/34.9
- 7,299,731 B2 \* 11/2007 Schulz ..... 83/614
- D559,305 S \* 1/2008 Lam et al. .... D18/34.8
- 7,357,057 B2 \* 4/2008 Chiang ..... 83/614
- D569,416 S \* 5/2008 Ayala ..... D18/34.9

**OTHER PUBLICATIONS**

GBC Classiccut C1100 A4 Guillotine, Viking Direct catalog product description available at:  
[http://www.viking-direct-co.uk/catalog/catalogSku.do;jsessionid=0000K0y6I6TR6JisAXGSpkTM\\_0G:130mjQ8ku?pr=H24&id=CL100CC](http://www.viking-direct-co.uk/catalog/catalogSku.do;jsessionid=0000K0y6I6TR6JisAXGSpkTM_0G:130mjQ8ku?pr=H24&id=CL100CC).

\* cited by examiner

*Primary Examiner*—Charles A Rademaker

(74) *Attorney, Agent, or Firm*—Gordon & Jacobson, PC

(57) **CLAIM**

The ornamental design for a cutting apparatus, as shown and described.

**DESCRIPTION**

FIG. 1 is a top plan view of a cutting apparatus showing our new design;

FIG. 2 is a rear perspective view thereof;

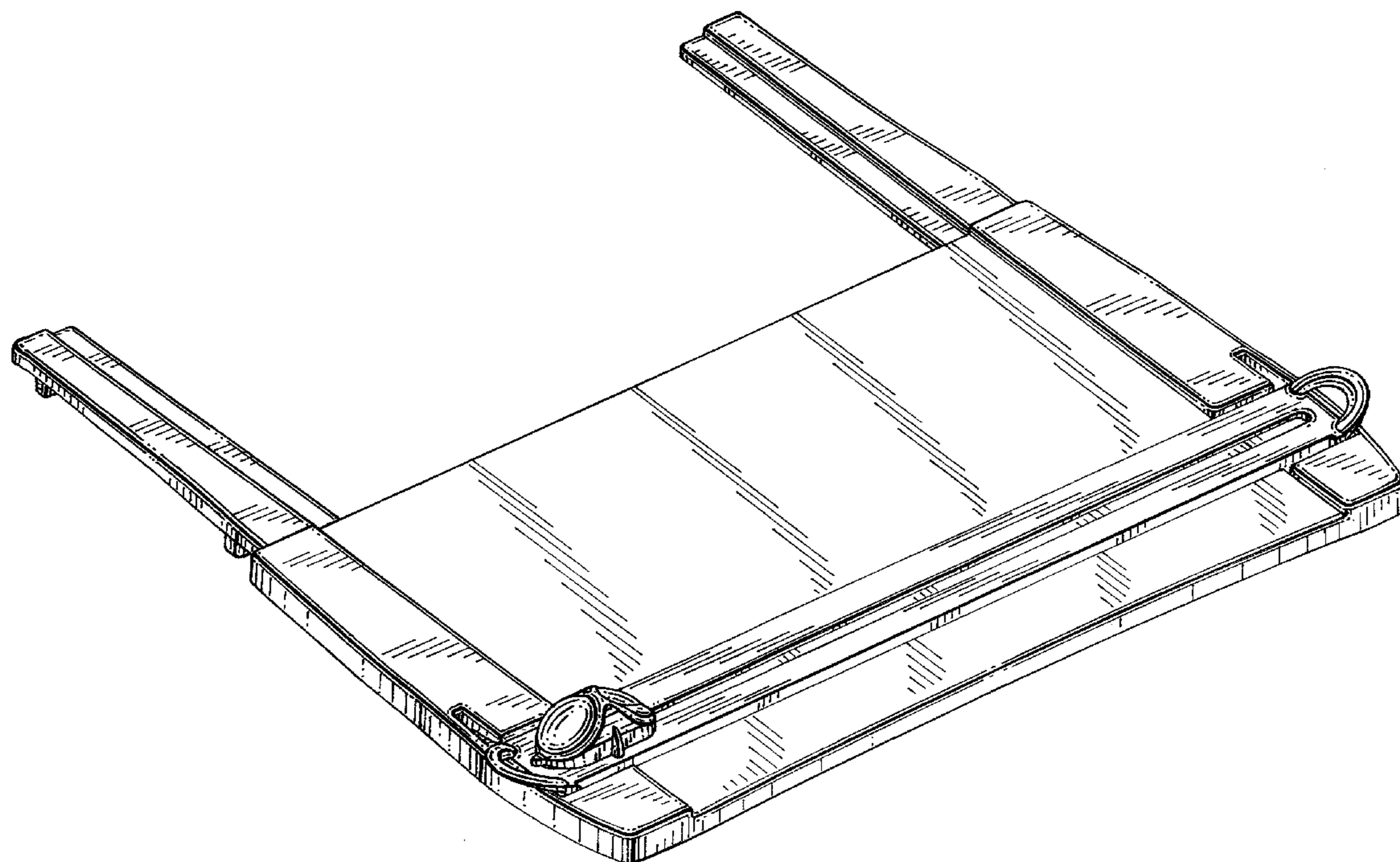
FIG. 3 is a ride side elevation thereof;

FIG. 4 is a left side elevation thereof;

FIG. 5 is a front elevation thereof; and,

FIG. 6 is a rear elevation thereof.

**1 Claim, 6 Drawing Sheets**



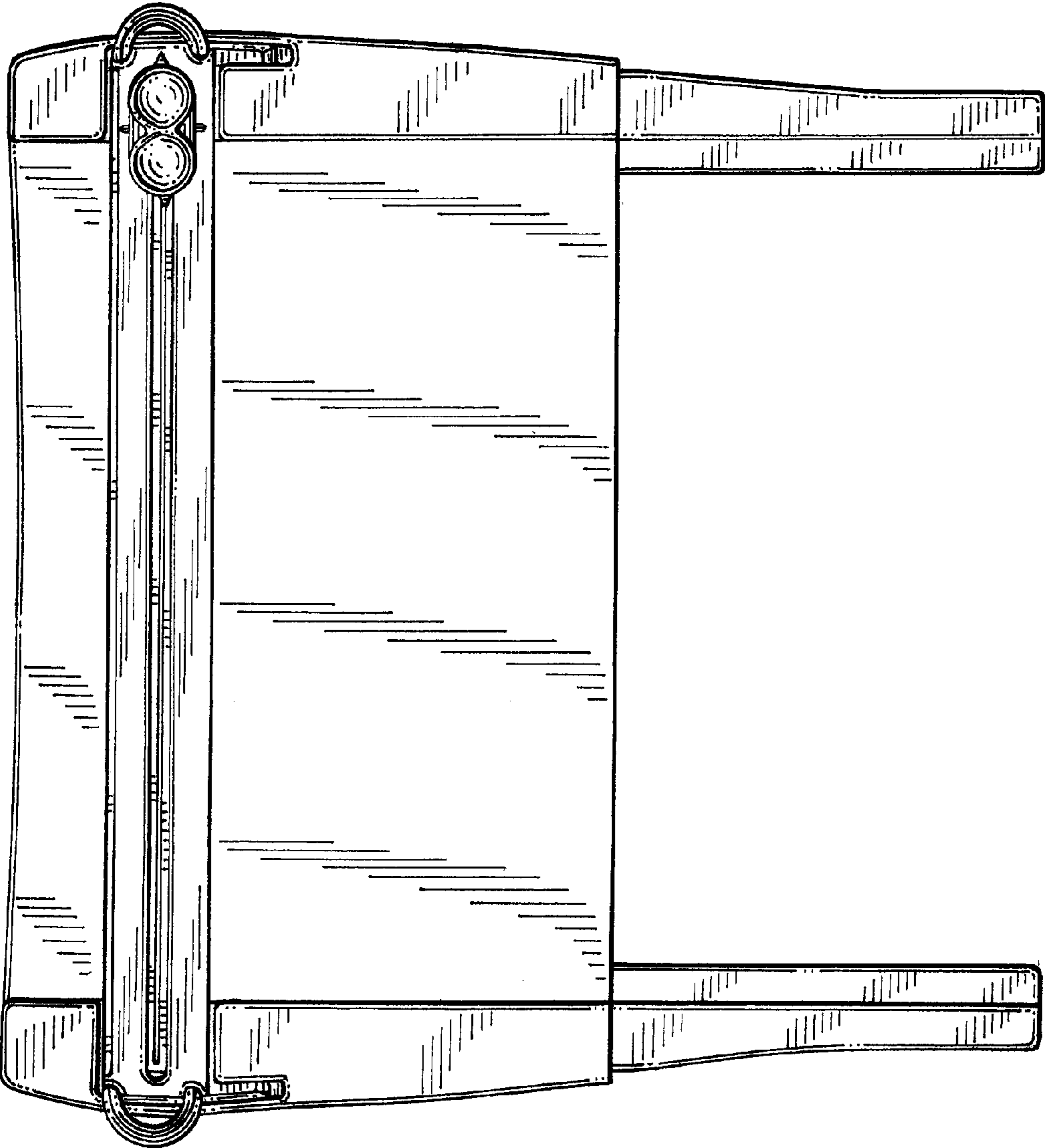


FIG. 1

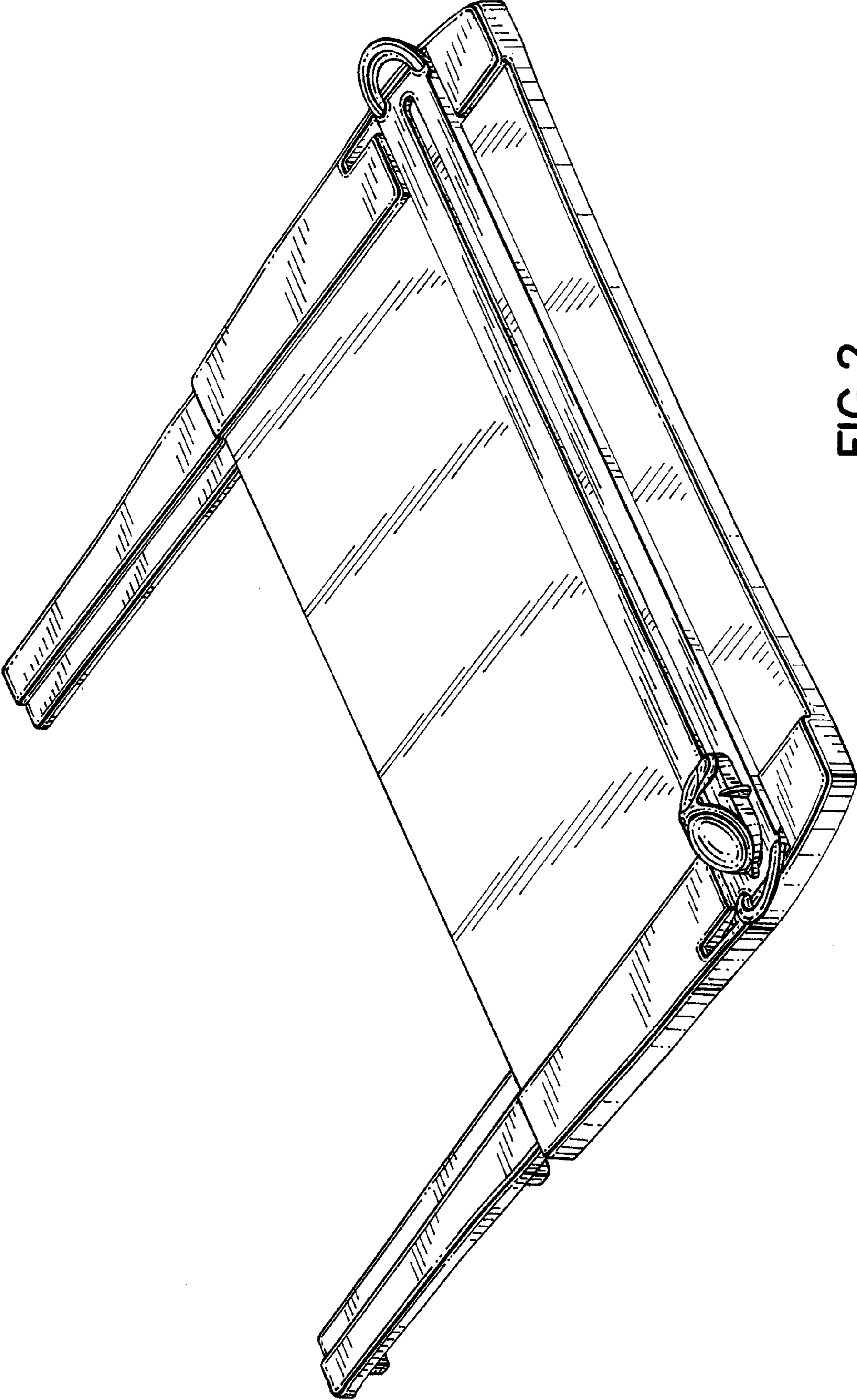


FIG.2





FIG.3

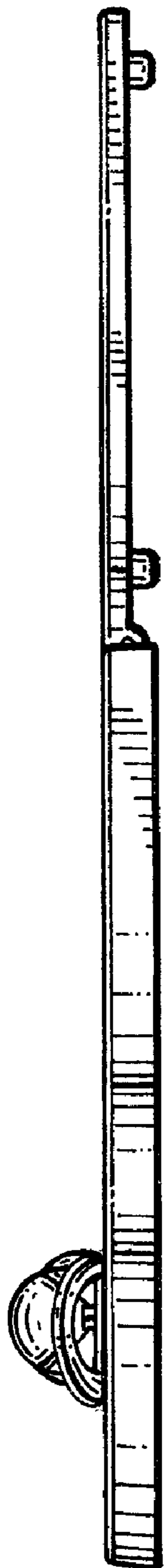


FIG. 4

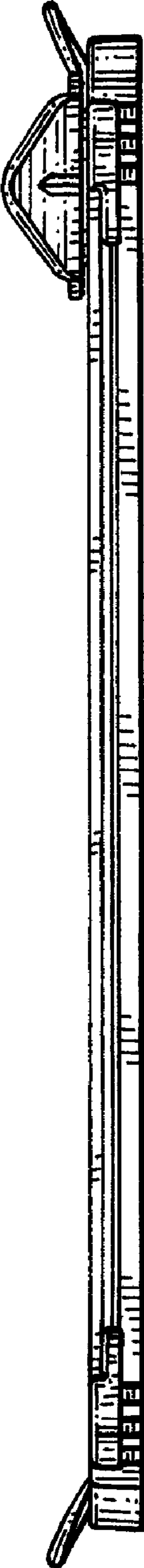


FIG. 5



FIG. 6