



US00D581452S

(12) **United States Design Patent**
Nelson et al.

(10) **Patent No.:** **US D581,452 S**
(45) **Date of Patent:** **** Nov. 25, 2008**

(54) **POINT OF SALE DEVICE WITH DISPLAY SCREEN**

(75) Inventors: **Eric Nelson**, Waterloo, NE (US); **James Price**, Alpharetta, GA (US); **Hugh L. McCormack**, Winder, GA (US)

(73) Assignee: **First Data Corporation**, Greenwood Village, CO (US)

(**) Term: **14 Years**

(21) Appl. No.: **29/249,645**

(22) Filed: **Oct. 16, 2006**

(51) **LOC (8) Cl.** **18-01**

(52) **U.S. Cl.** **D18/4.6**

(58) **Field of Classification Search** D14/336,
D14/371, 373-376, 385-387, 399; D18/3.1-3.3,
D18/4.1-4.6, 6-8, 11, 12, 12.1-12.3, 19;
D21/324, 329, 332, 333; D99/28, 34-36,
D99/43; 235/1 E, 2, 7 R, 12, 22, 33, 51,
235/52; 705/12, 15-18, 43

See application file for complete search history.

(56) **References Cited**

U.S. PATENT DOCUMENTS

D141,213 S *	5/1945	Leichter	D18/11
D141,214 S *	5/1945	Leichter	D18/11
D200,451 S *	2/1965	Suhr et al.	D18/7
D362,427 S *	9/1995	Mizusugi et al.	D18/4.4
D423,471 S *	4/2000	Minemoto et al.	D14/387

D431,590 S *	10/2000	Brown et al.	D18/4.6
D468,735 S *	1/2003	Landerholm et al.	D14/336
6,547,132 B1 *	4/2003	Templeton et al.	235/380
D508,565 S *	8/2005	Nepkin et al.	D14/336
6,948,656 B2 *	9/2005	Williams	705/16
D553,669 S *	10/2007	Henry et al.	D18/4.6
2001/0020640 A1 *	9/2001	Yokochi	235/380

* cited by examiner

Primary Examiner—Caron D. Veynar

Assistant Examiner—Garth Rademaker

(74) *Attorney, Agent, or Firm*—Townsend and Townsend and Crew LLP

(57) **CLAIM**

The ornamental design for a point of sale device with display screen, as shown and described.

DESCRIPTION

FIG. 1 is a perspective view of a point of sale device with display screen showing my new design;

FIG. 2 is a front elevational view thereof;

FIG. 3 is a rear elevational view thereof;

FIG. 4 is a right side elevational view thereof;

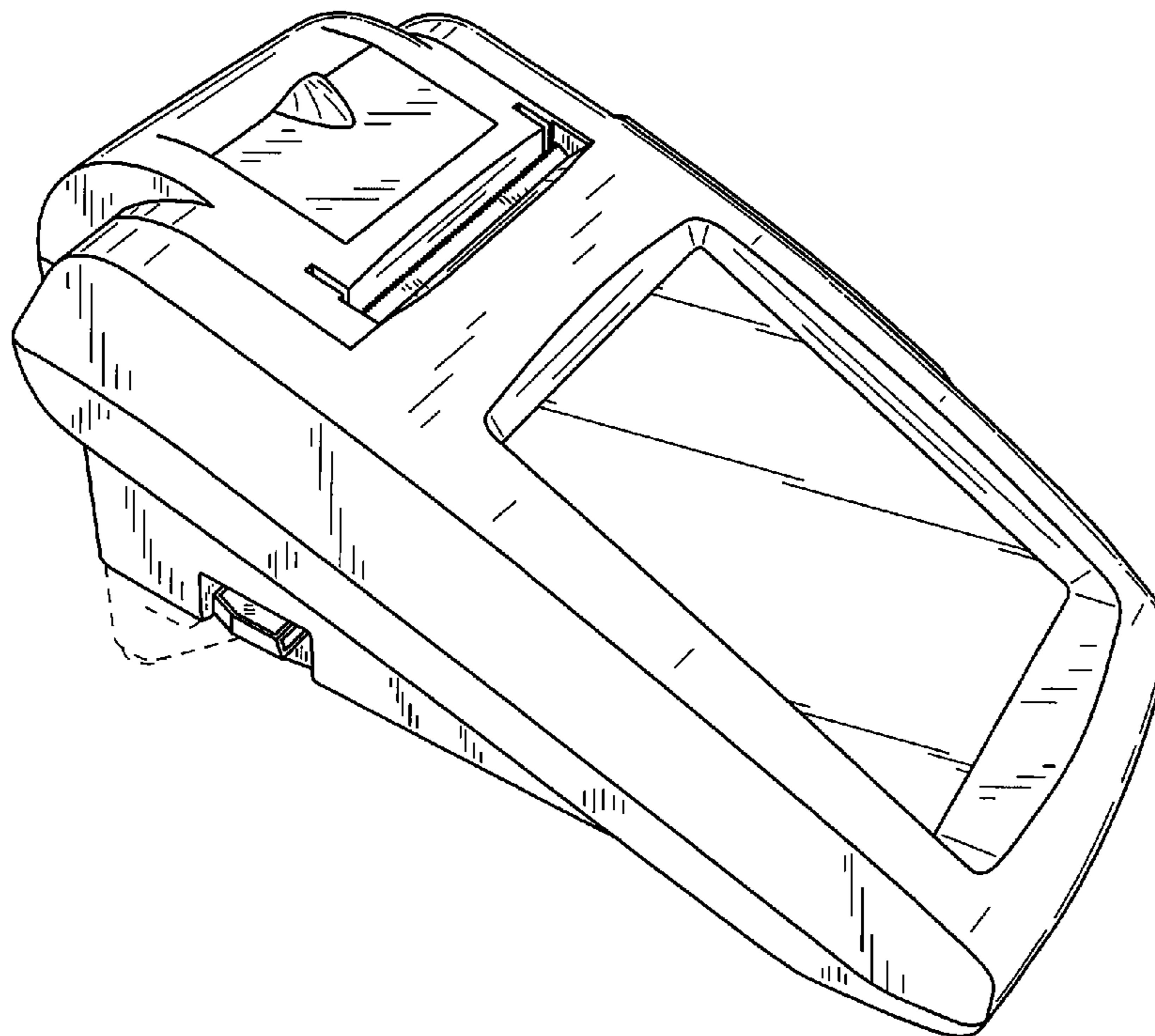
FIG. 5 is a left side elevational view thereof;

FIG. 6 is a top plan view thereof; and,

FIG. 7 is a bottom plan view thereof.

The broken-lines depict environmental subject matter only and form no part of the claimed design.

1 Claim, 4 Drawing Sheets



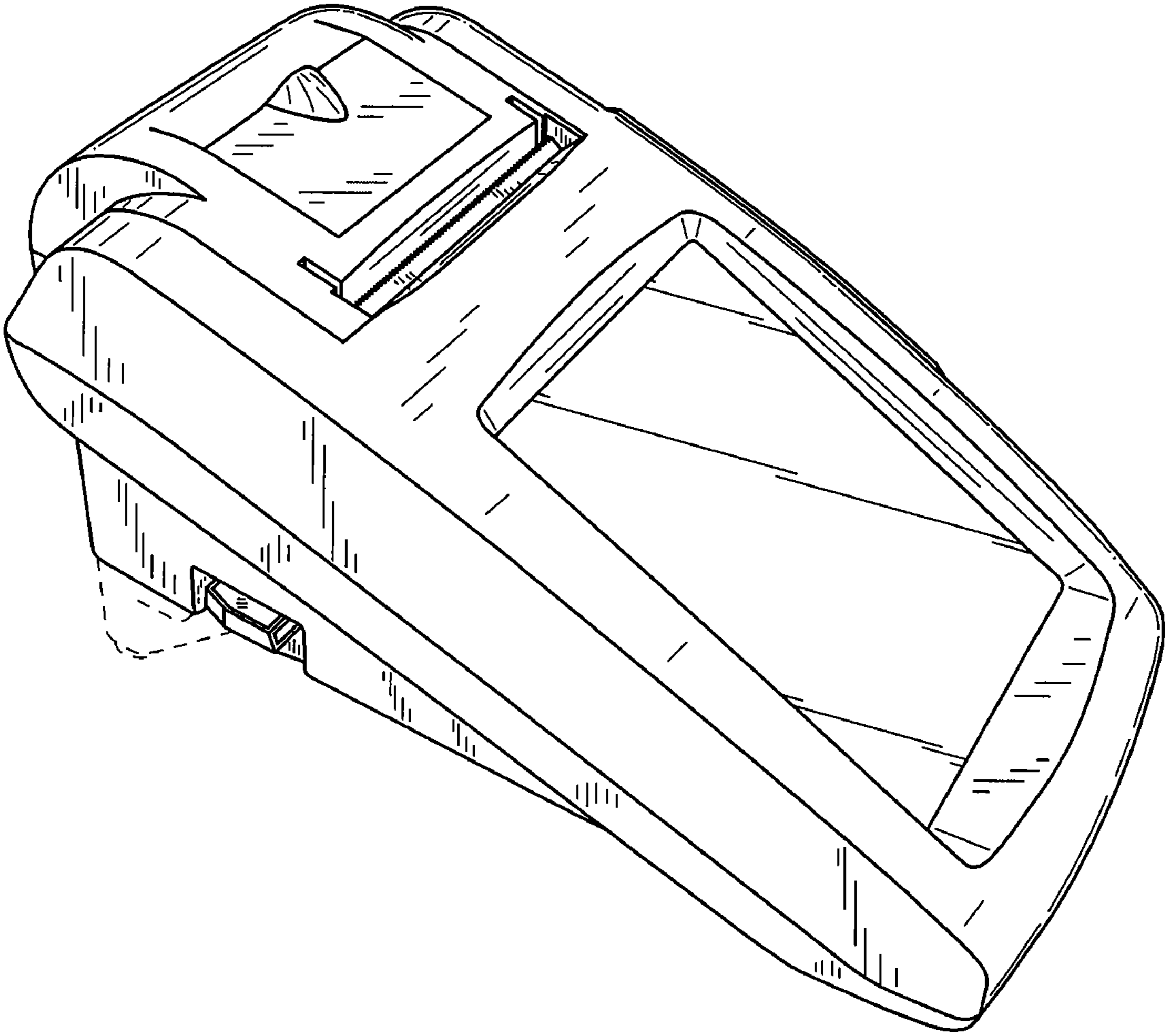


FIG.1

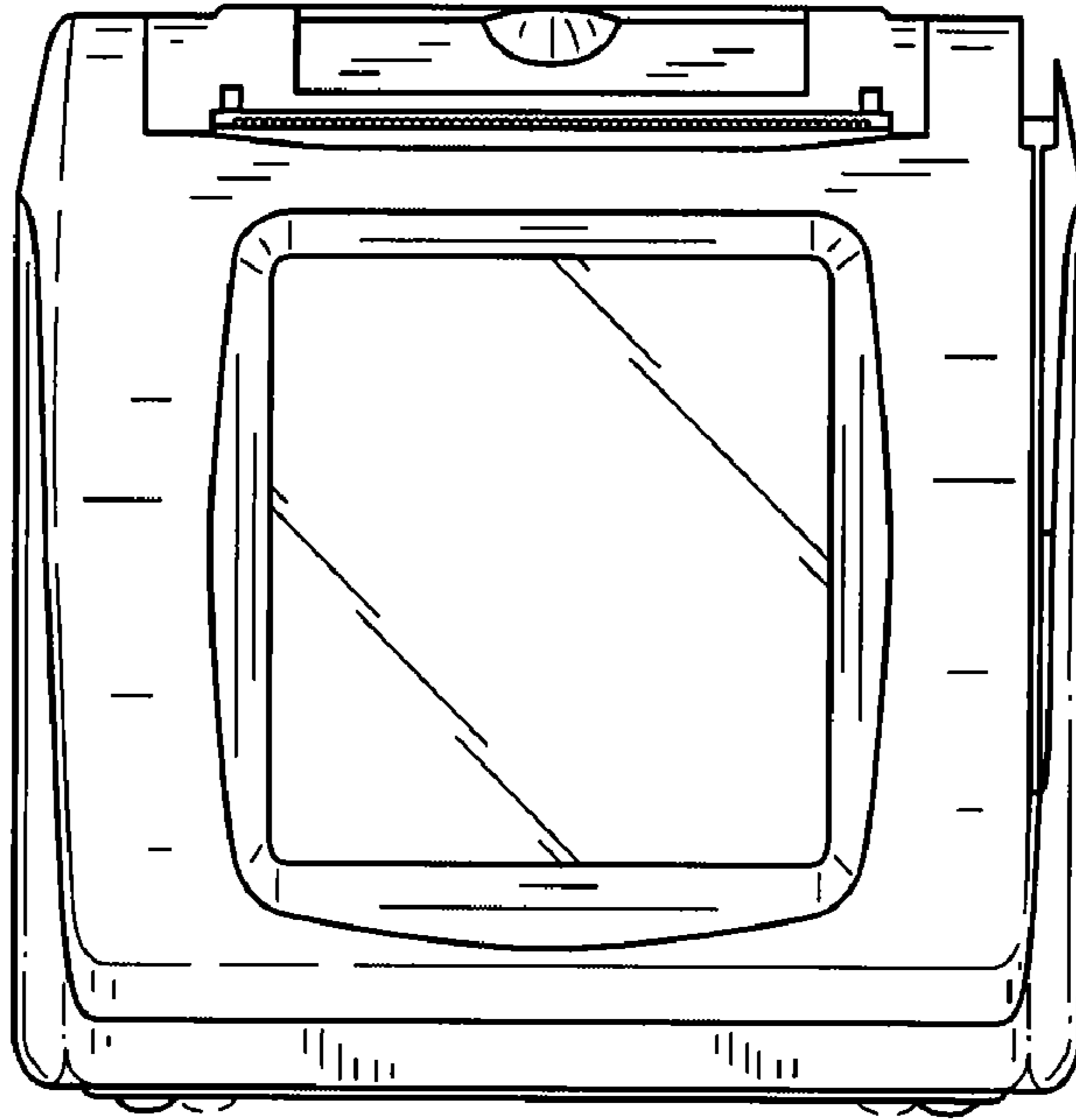


FIG. 2

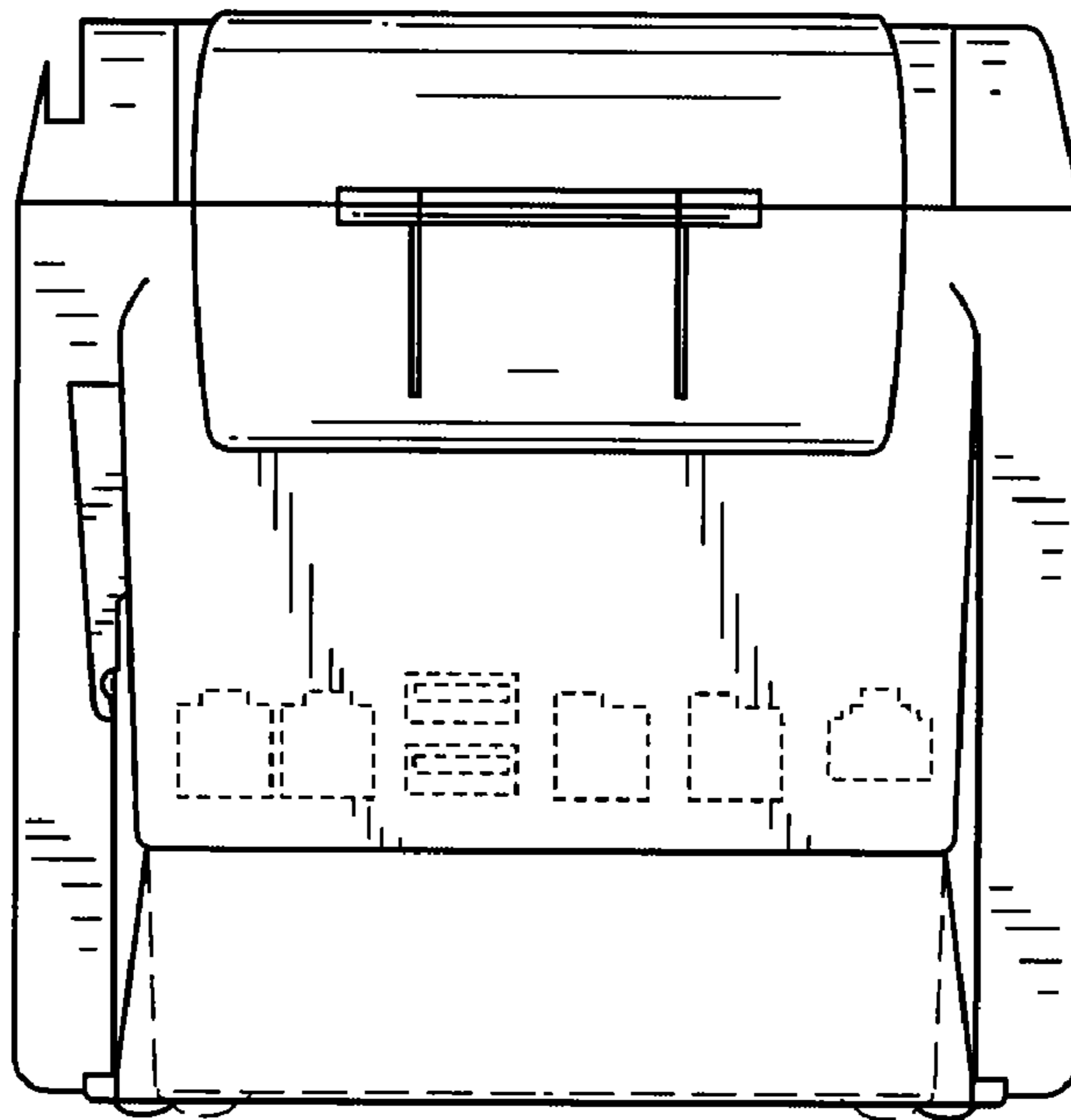


FIG. 3

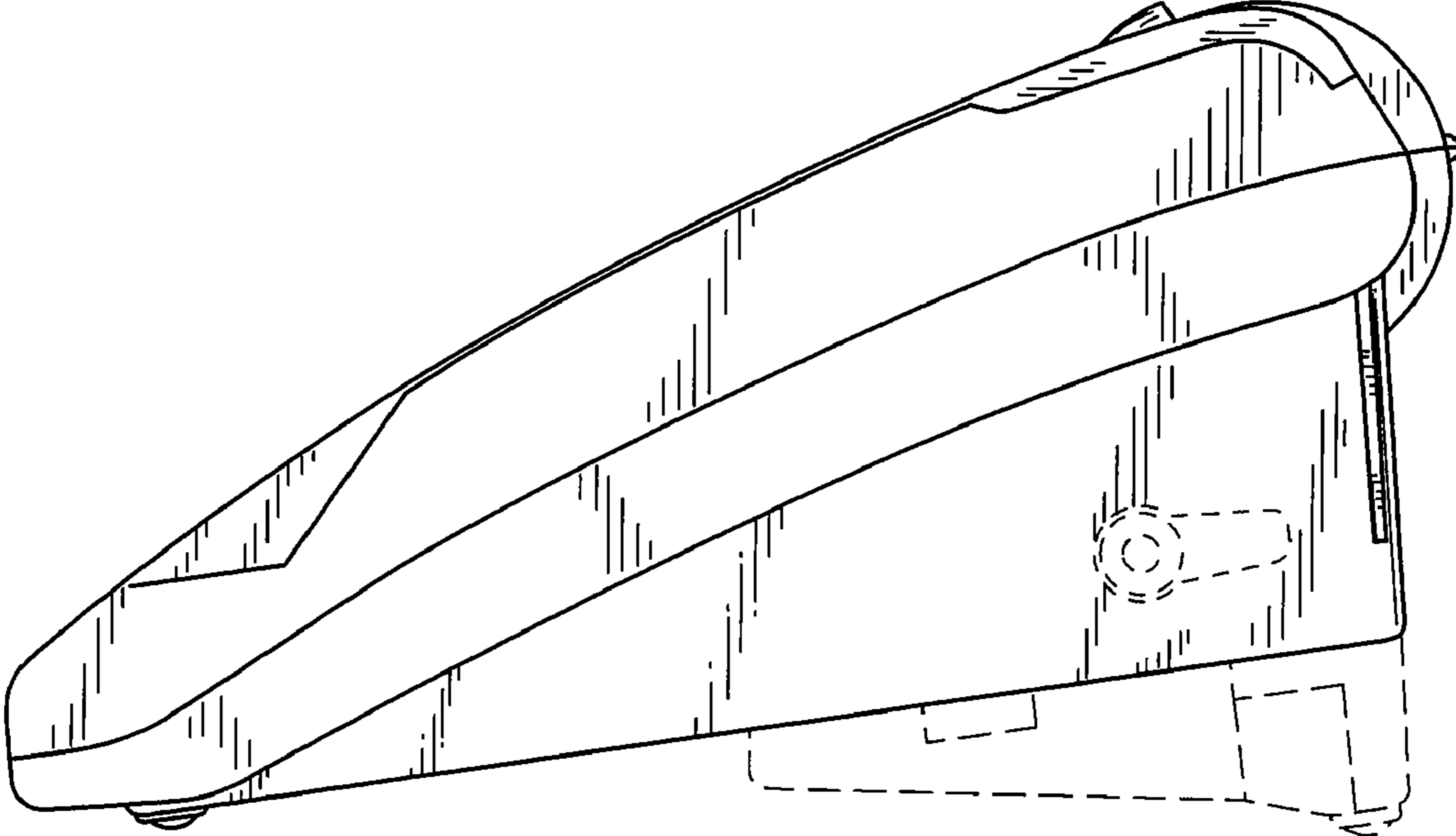


FIG.4

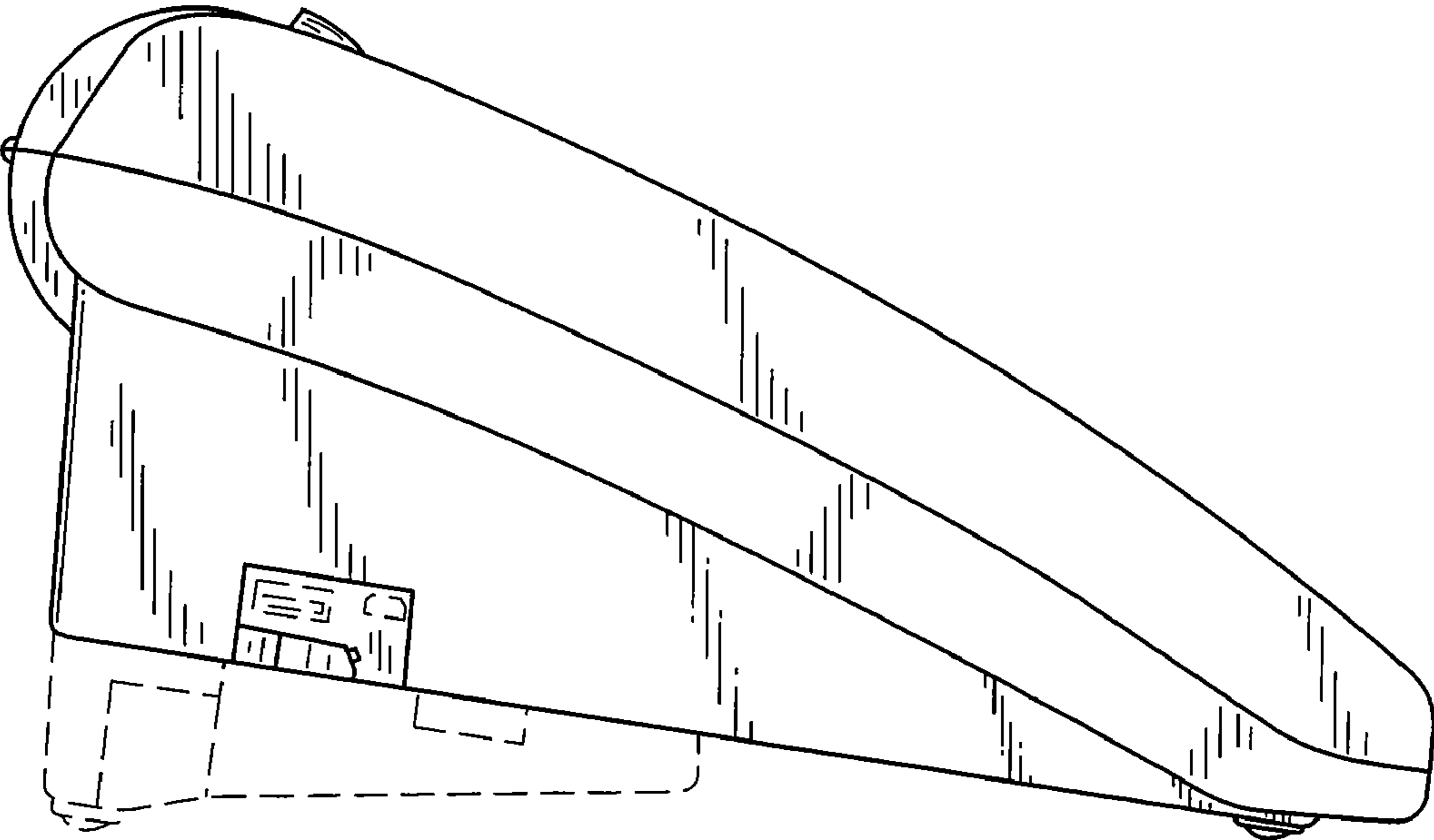


FIG.5

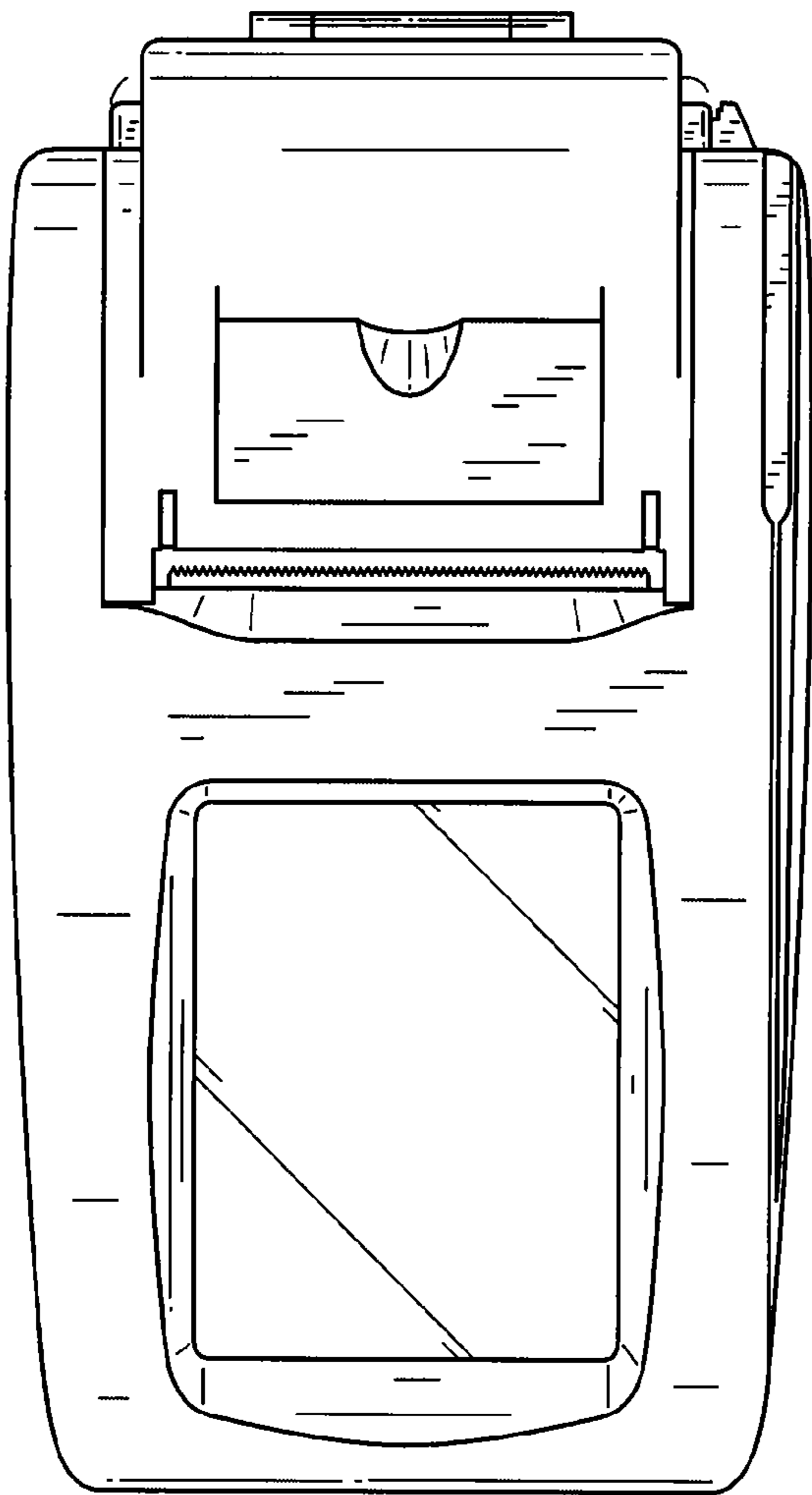


FIG. 6

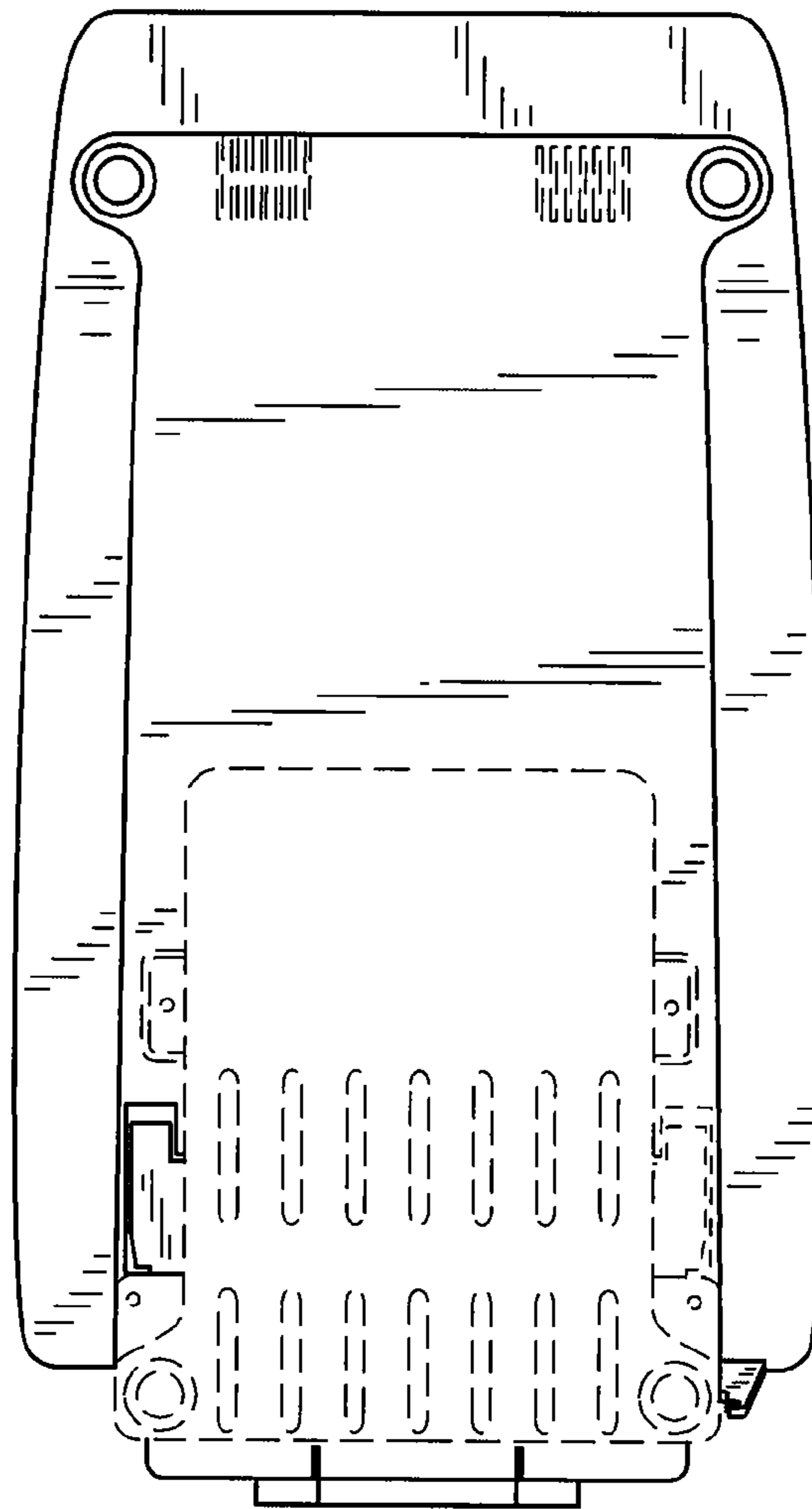


FIG. 7