



US00D581441S

(12) **United States Design Patent**  
**Kim**

(10) **Patent No.:** **US D581,441 S**  
(45) **Date of Patent:** **\*\* Nov. 25, 2008**

(54) **ELECTRONIC CAMERA**

(57) **CLAIM**

(75) Inventor: **Young Kim**, Bellevue, WA (US)

The ornamental design for an electronic camera, as shown and described.

(73) Assignee: **Microsoft Corporation**, Redmond, WA (US)

**DESCRIPTION**

(\*\*) Term: **14 Years**

FIG. 1 is a front perspective view of an electronic camera showing my new design;

(21) Appl. No.: **29/295,587**

FIG. 2 is a front view thereof;

(22) Filed: **Oct. 2, 2007**

FIG. 3 is a rear view thereof;

(51) **LOC (8) Cl.** ..... **16-05**

FIG. 4 is a left side view thereof;

(52) **U.S. Cl.** ..... **D16/218**

FIG. 5 is a right side view thereof;

(58) **Field of Classification Search** ..... D16/200–205,  
D16/208, 211–213, 218; 348/373–376; 358/909.1;  
396/535–541

FIG. 6 is a top view thereof;

See application file for complete search history.

FIG. 7 is a bottom view thereof;

FIG. 8 is a front perspective view of another embodiment of the electronic camera showing my new design;

(56) **References Cited**

FIG. 9 is a front view thereof;

**U.S. PATENT DOCUMENTS**

FIG. 10 is a rear view thereof;

D258,444 S *	3/1981	Mineshima	.....	D16/218
D506,215 S *	6/2005	Lin et al.	.....	D16/218
D533,887 S *	12/2006	Logan et al.	.....	D16/208
D559,882 S *	1/2008	Nakamura	.....	D16/218
D566,148 S *	4/2008	Akita	.....	D16/202

FIG. 11 is a left side view thereof;

FIG. 12 is a right side view thereof;

FIG. 13 is a top view thereof; and,

FIG. 14 is a bottom view thereof.

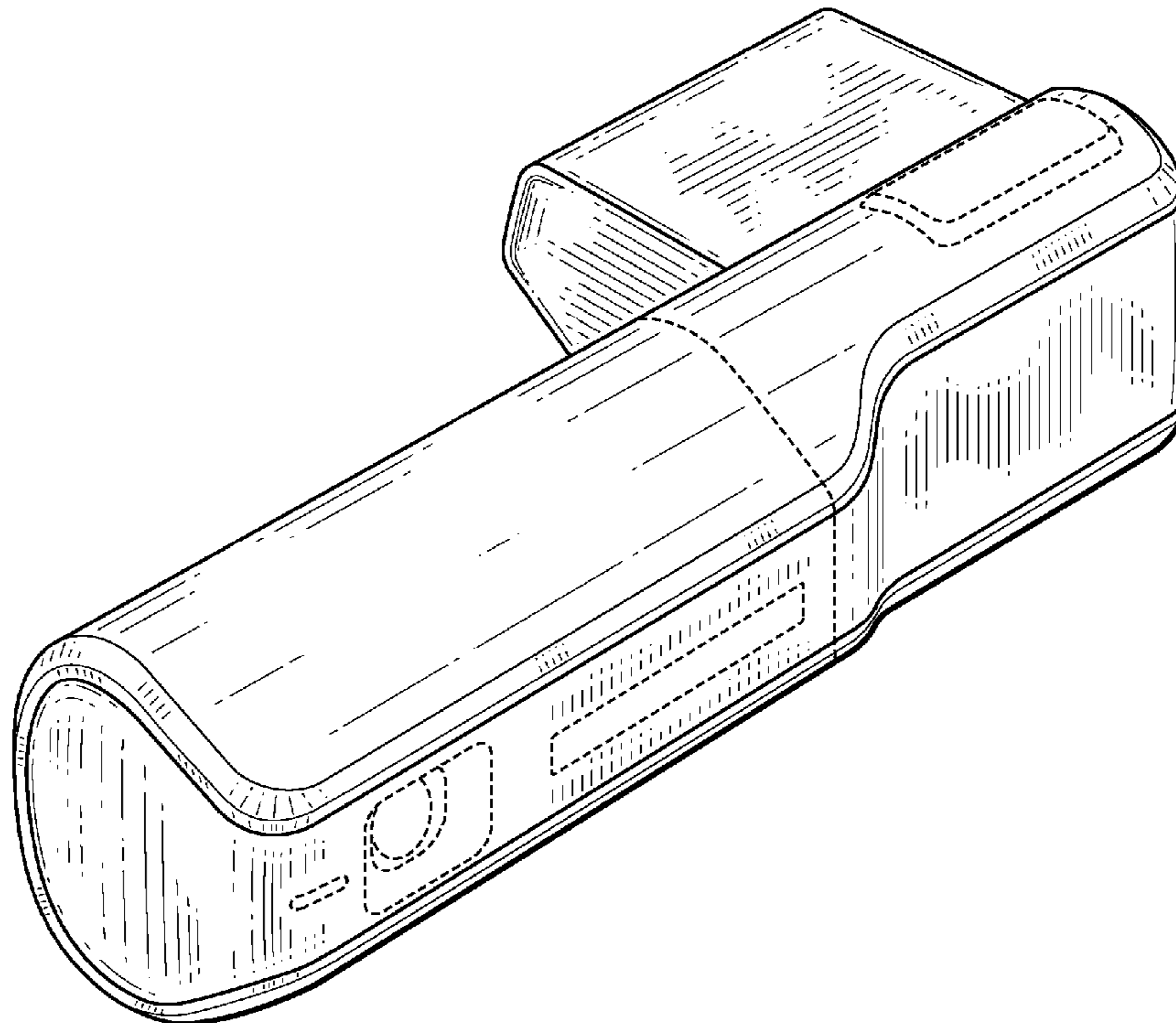
\* cited by examiner

The broken line showing of various regions in the figures, including the unshaded areas therein, is for illustrative purposes and forms no part of the claimed design.

*Primary Examiner*—Adir Aronovich

(74) *Attorney, Agent, or Firm*—Banner & Witcoff, Ltd.

**1 Claim, 8 Drawing Sheets**



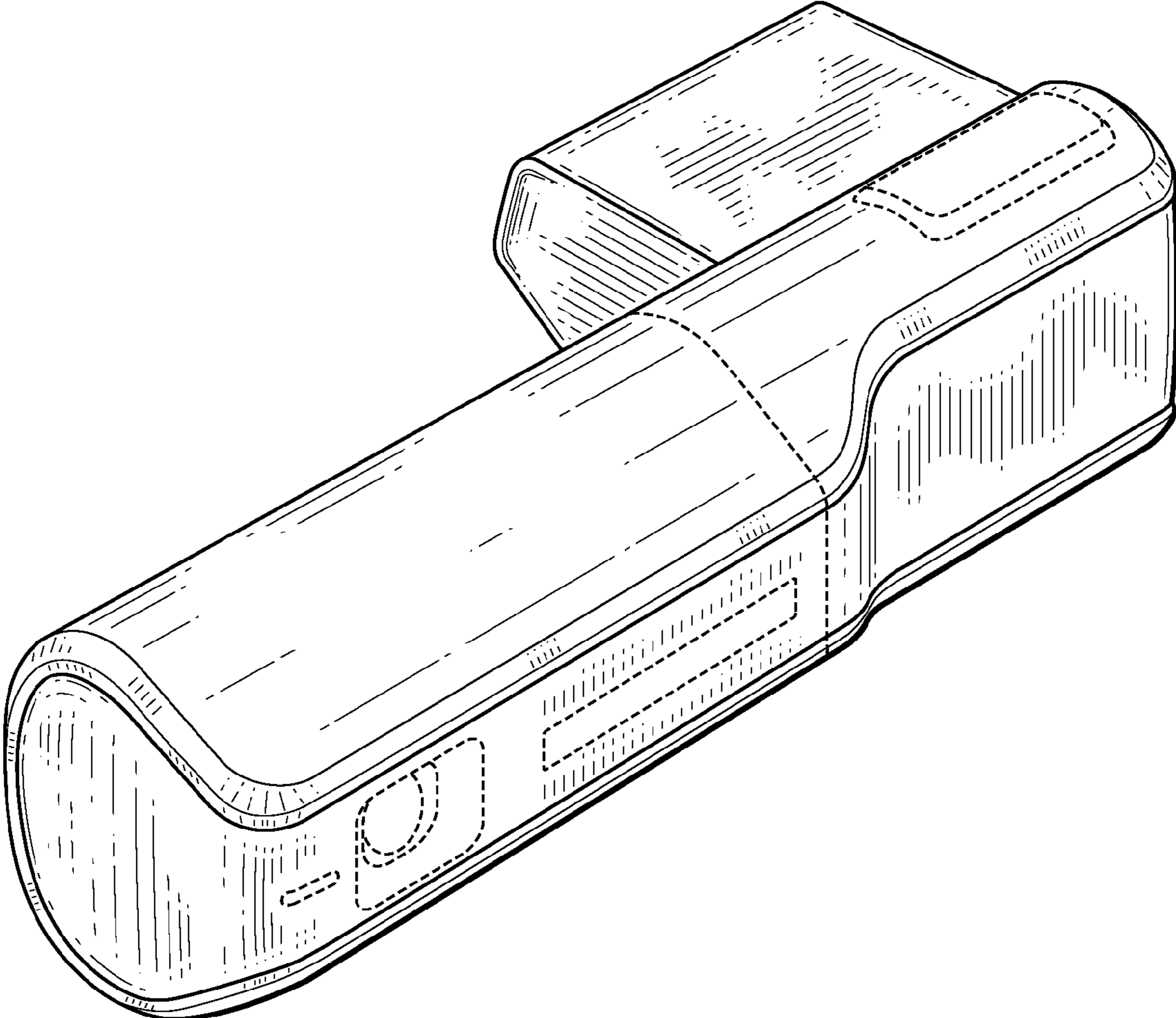


FIG. 1

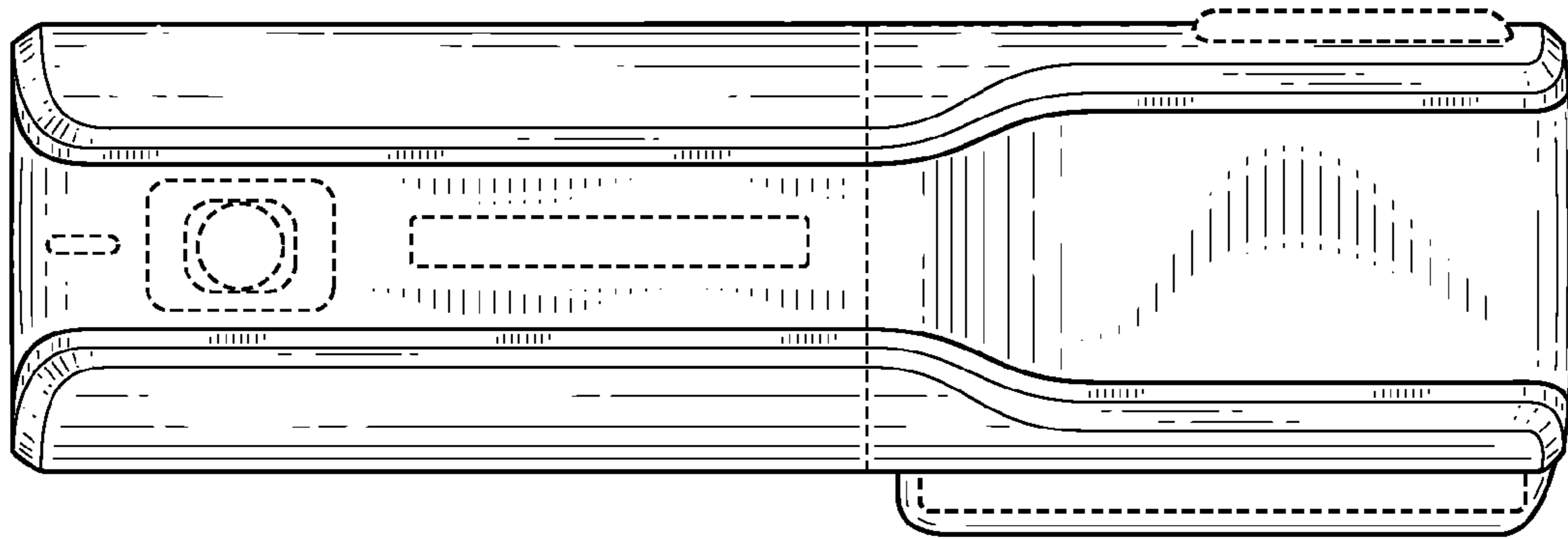


FIG. 2

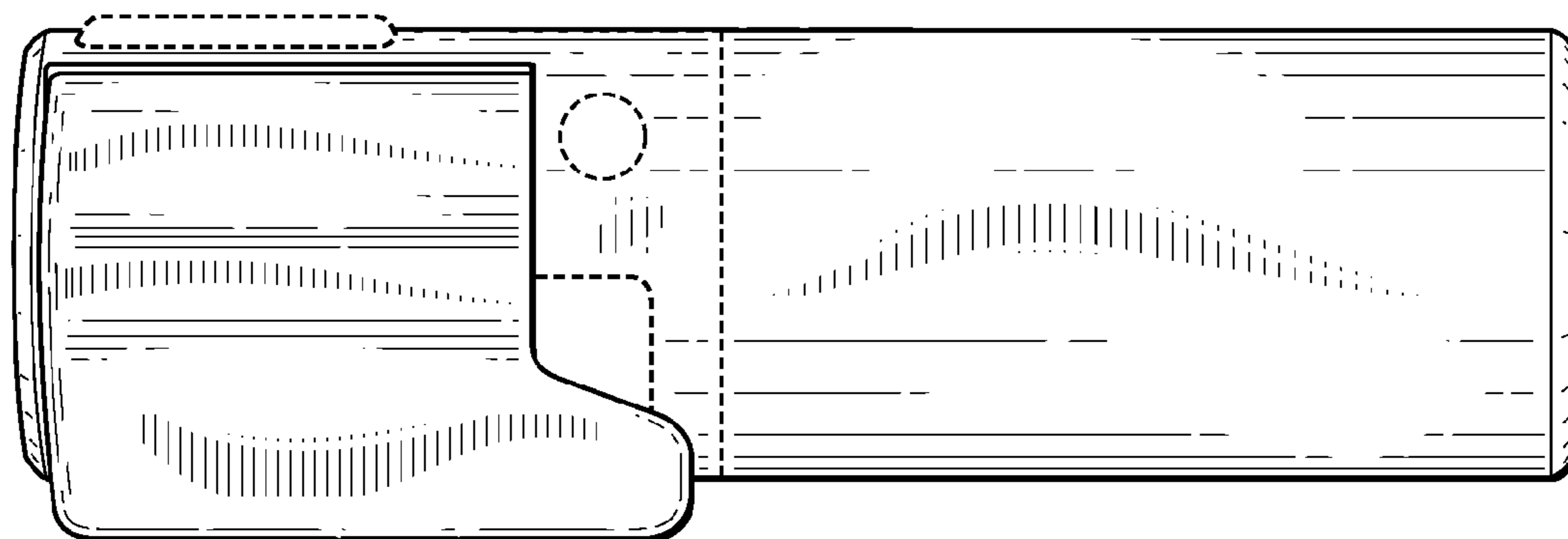


FIG. 3

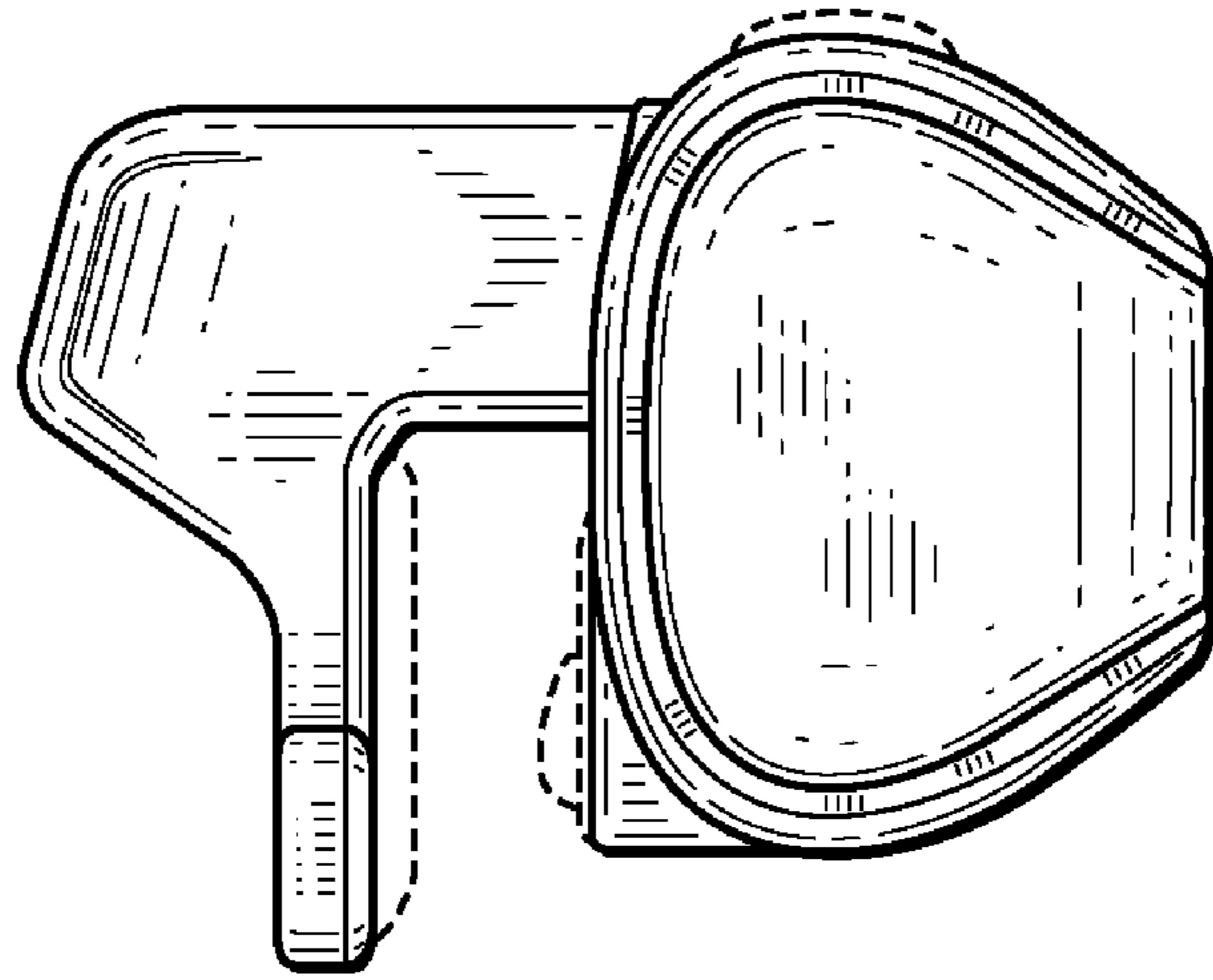


FIG. 4

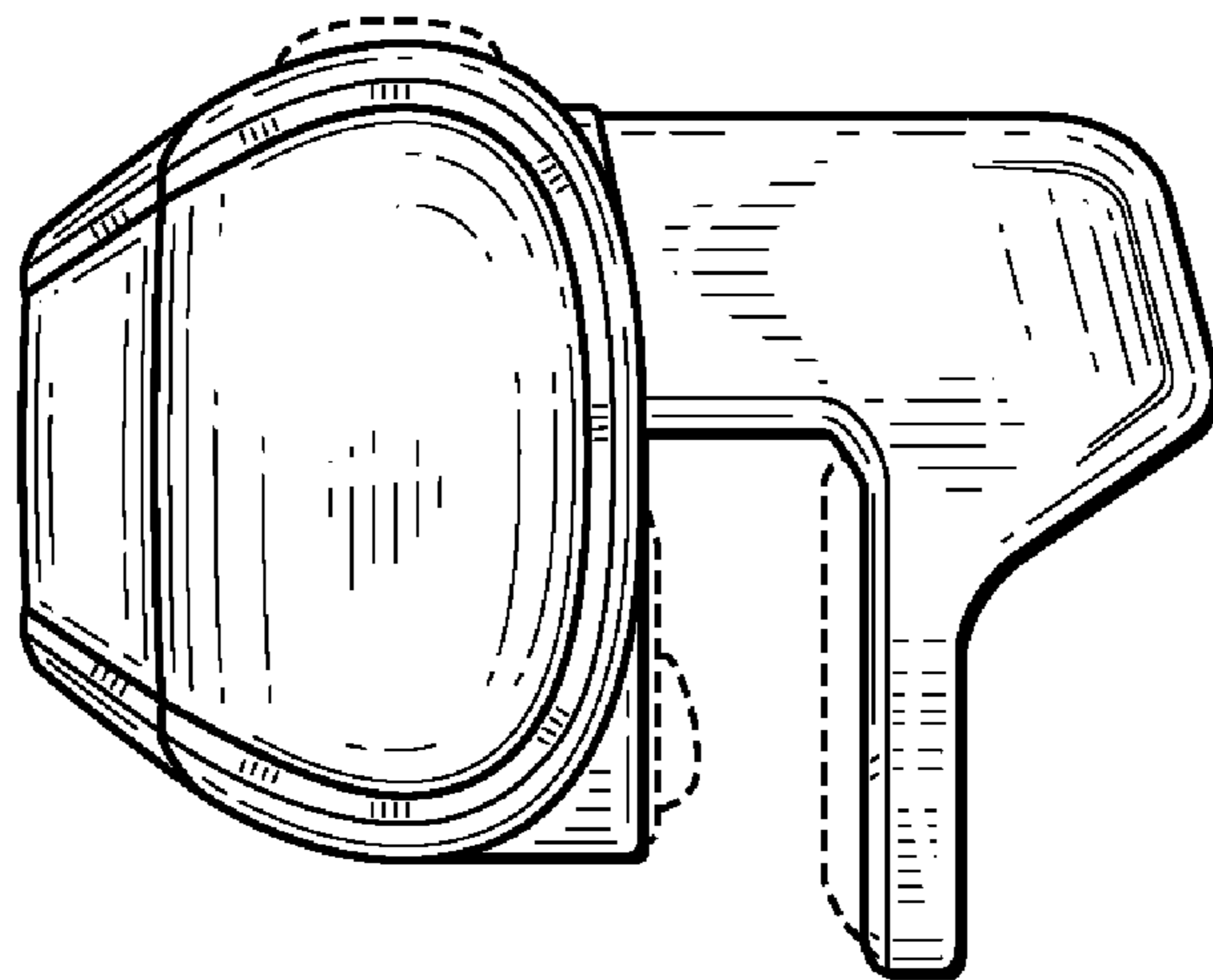


FIG. 5

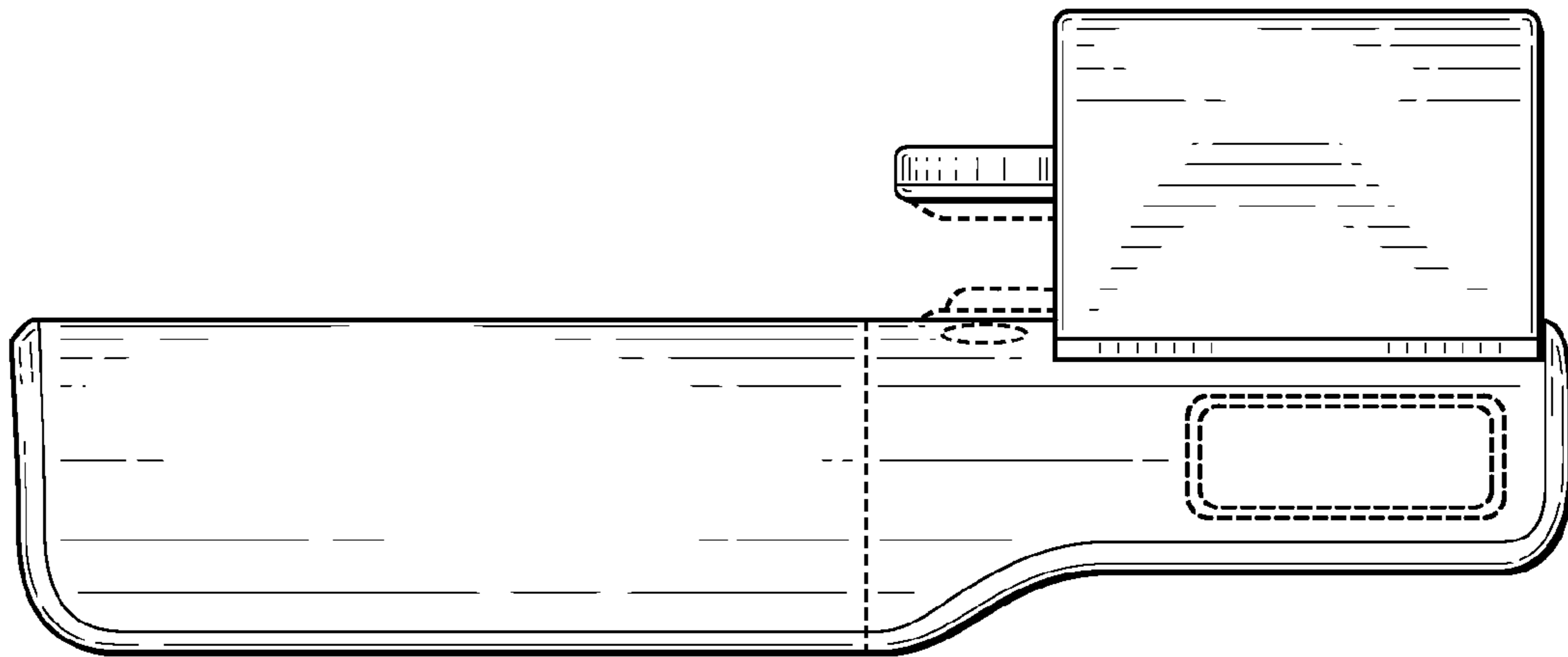


FIG. 6

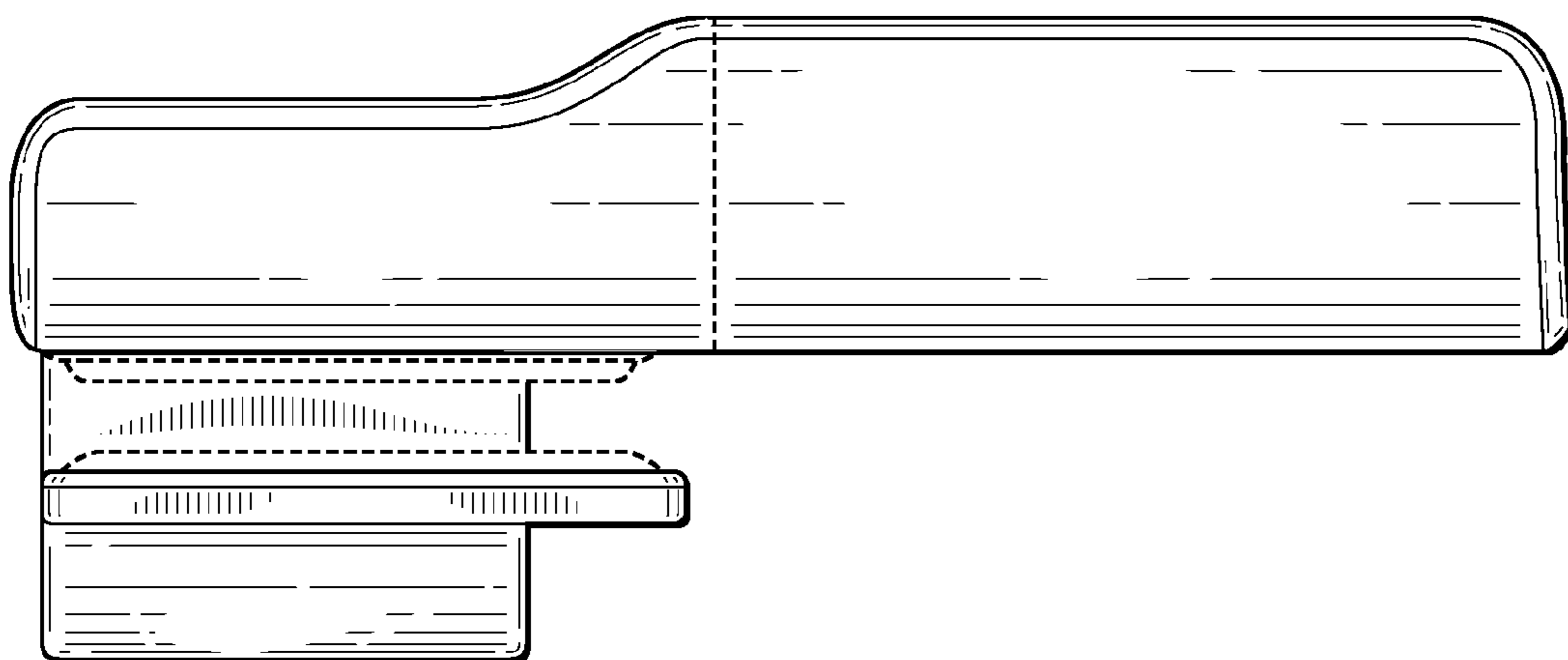


FIG. 7

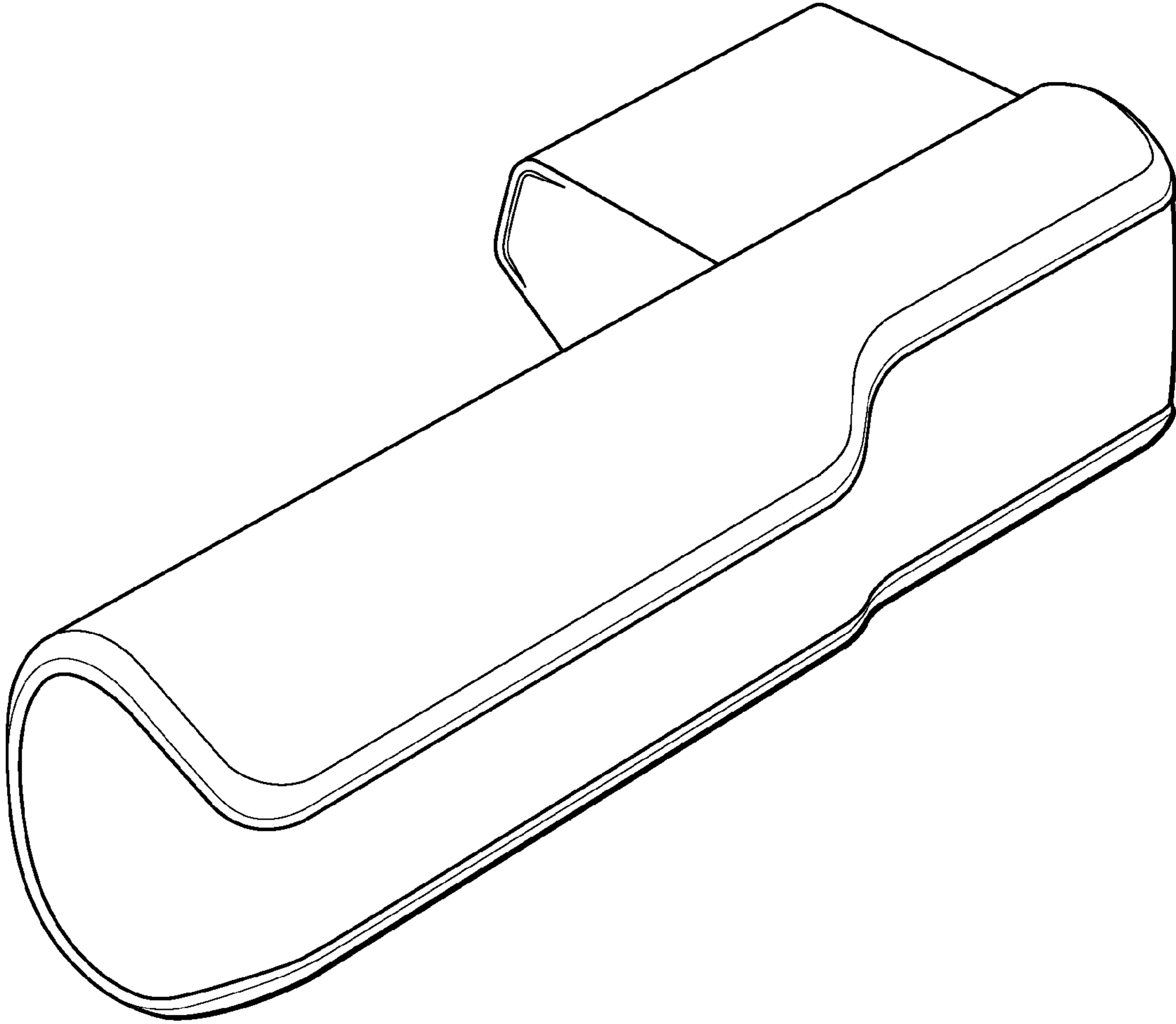


FIG. 8

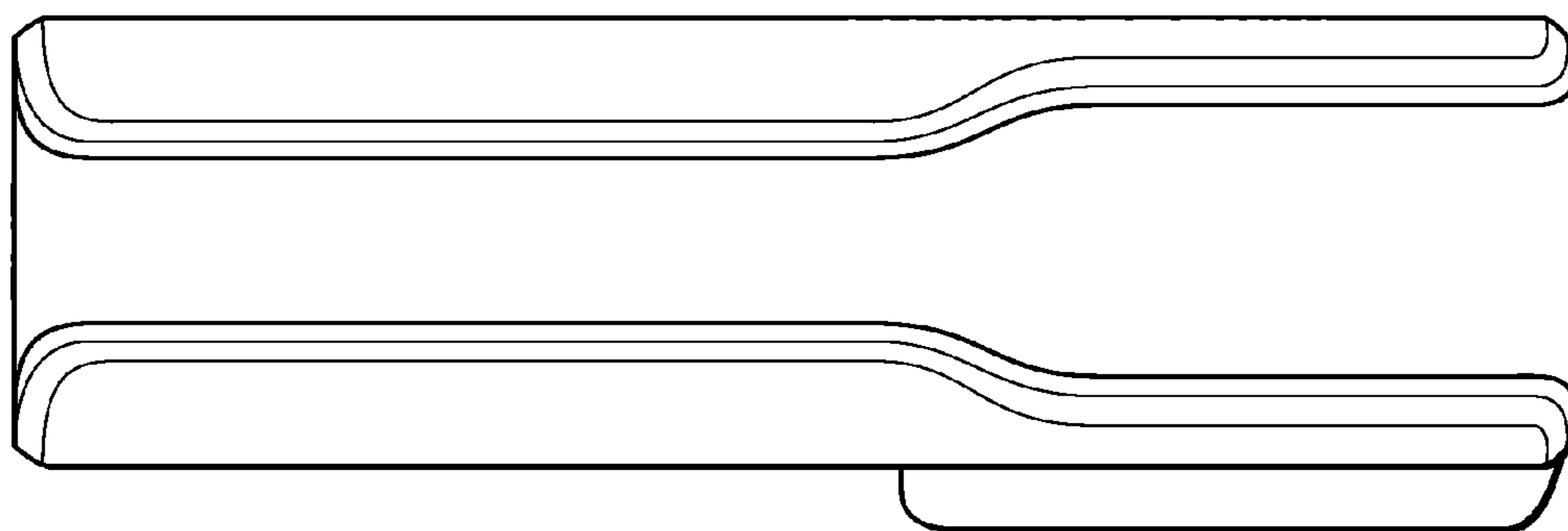


FIG. 9

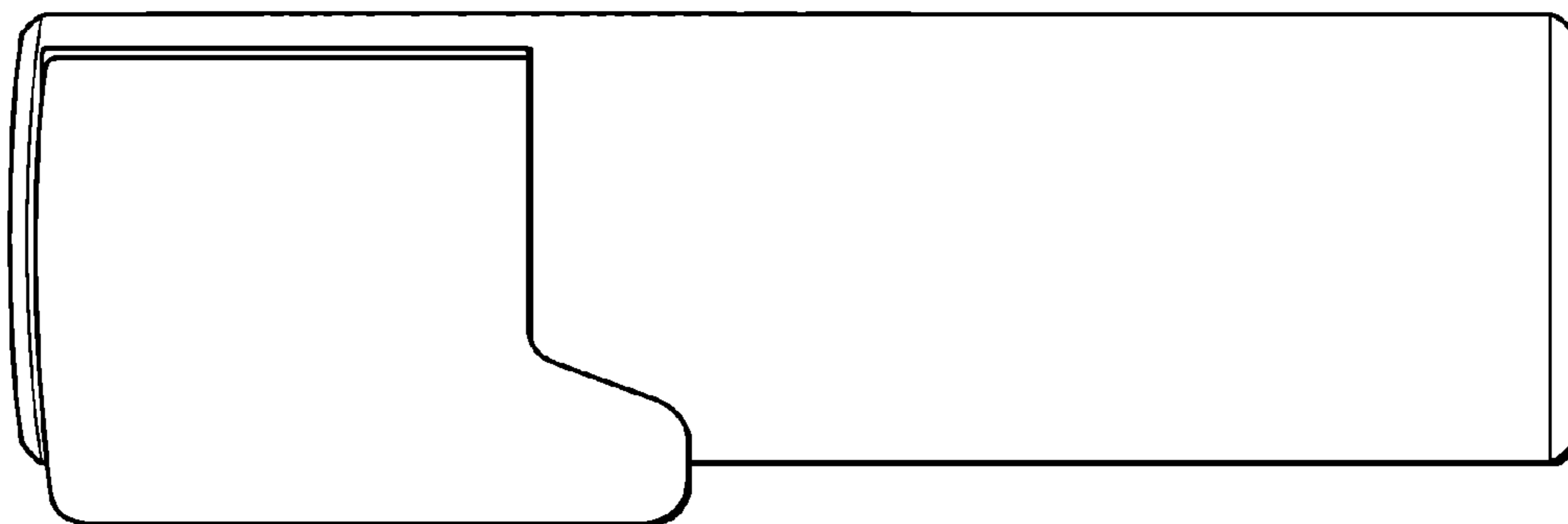


FIG. 10

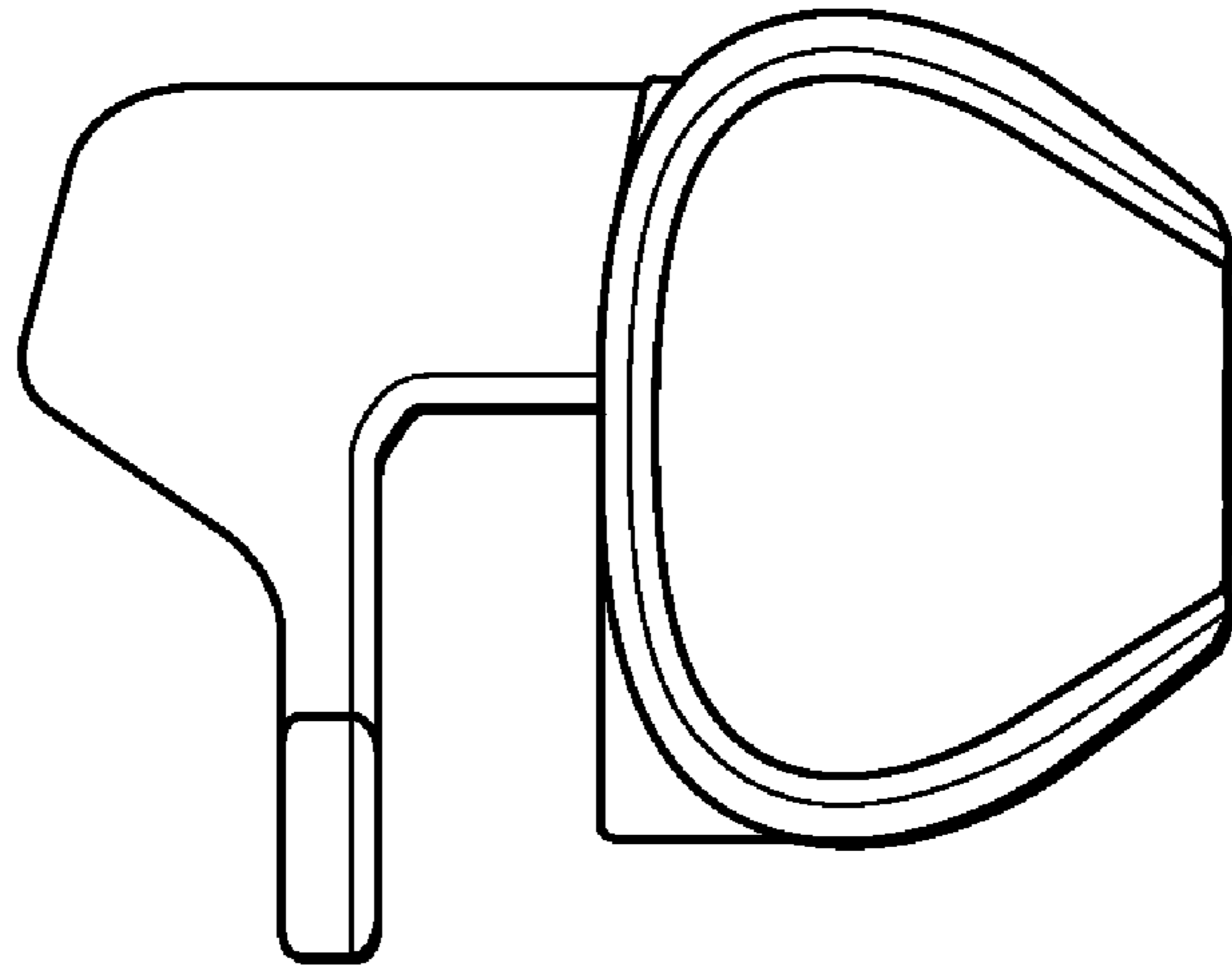


FIG. 11

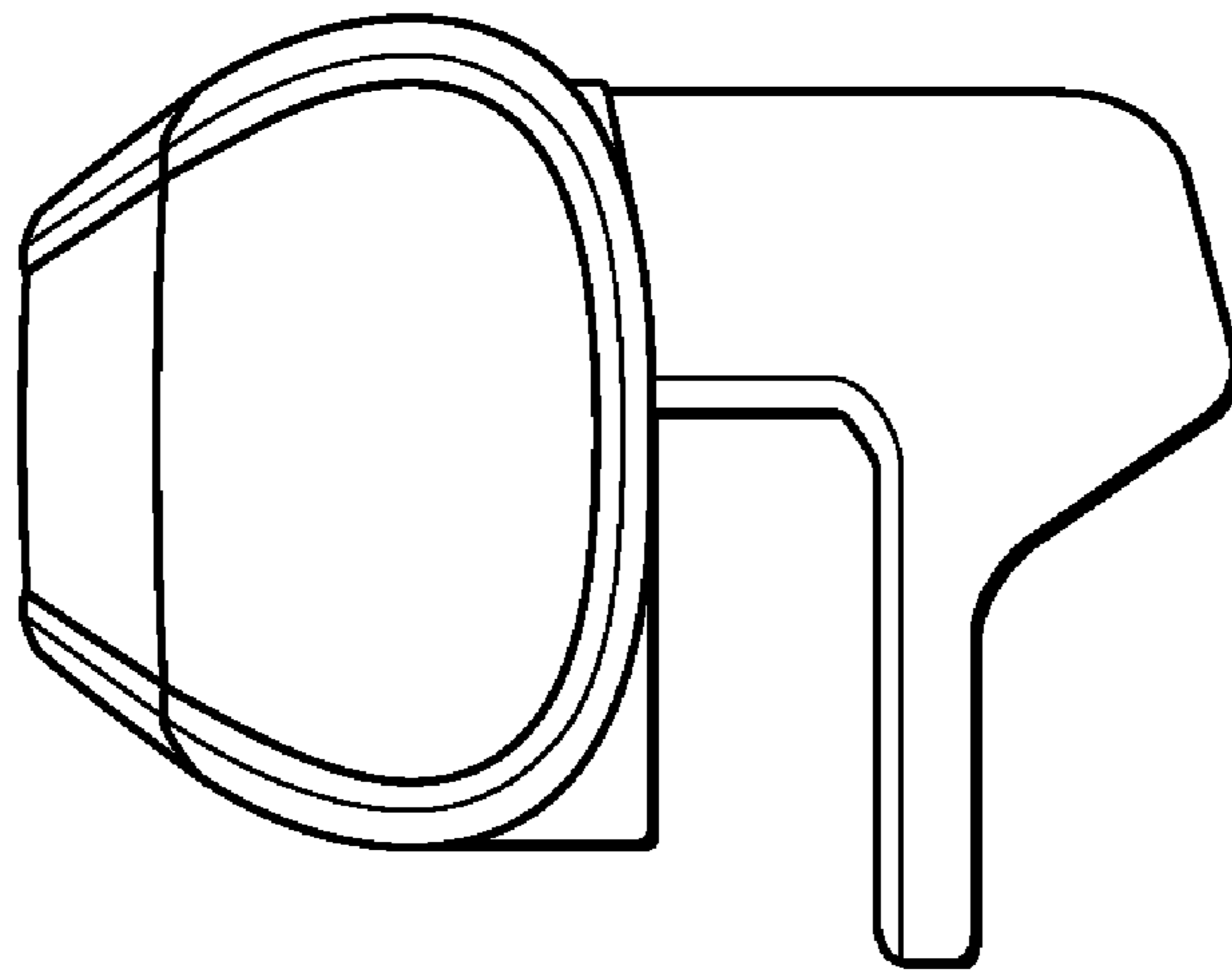


FIG. 12



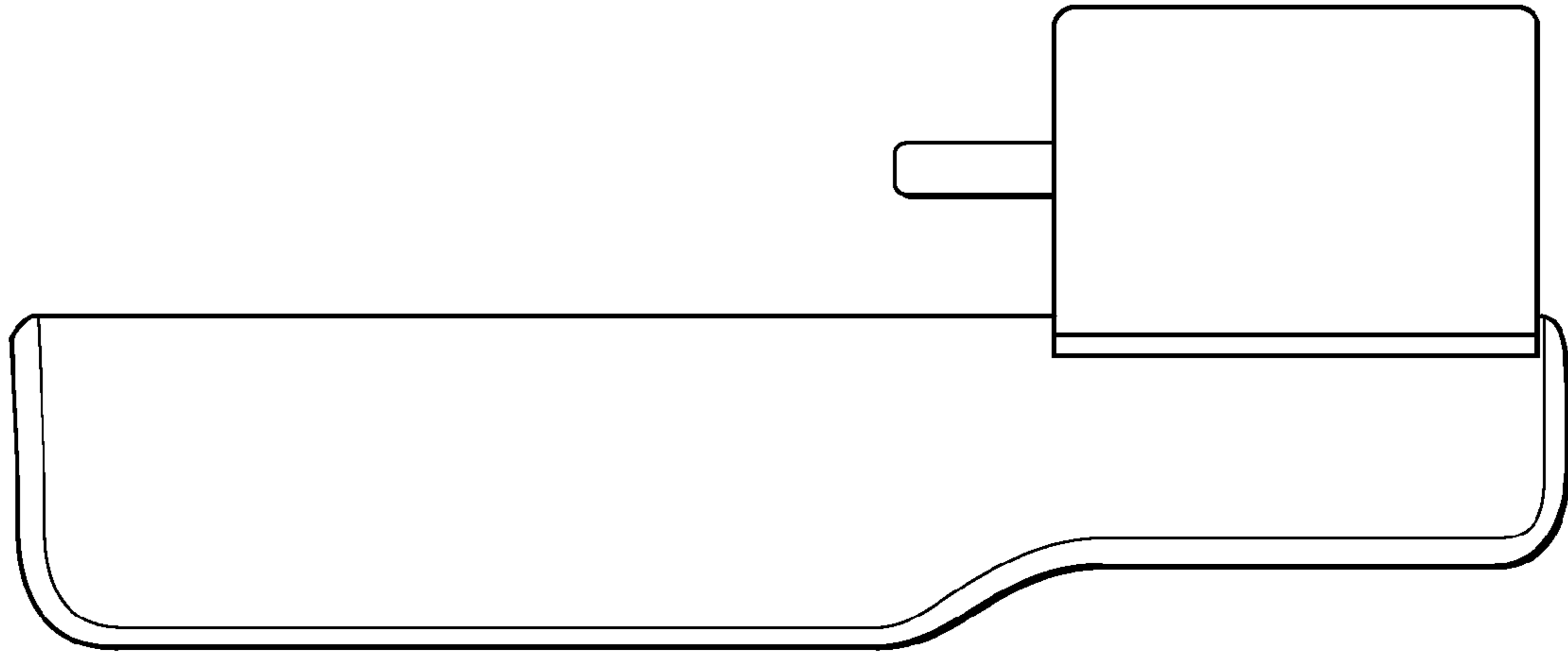


FIG. 13

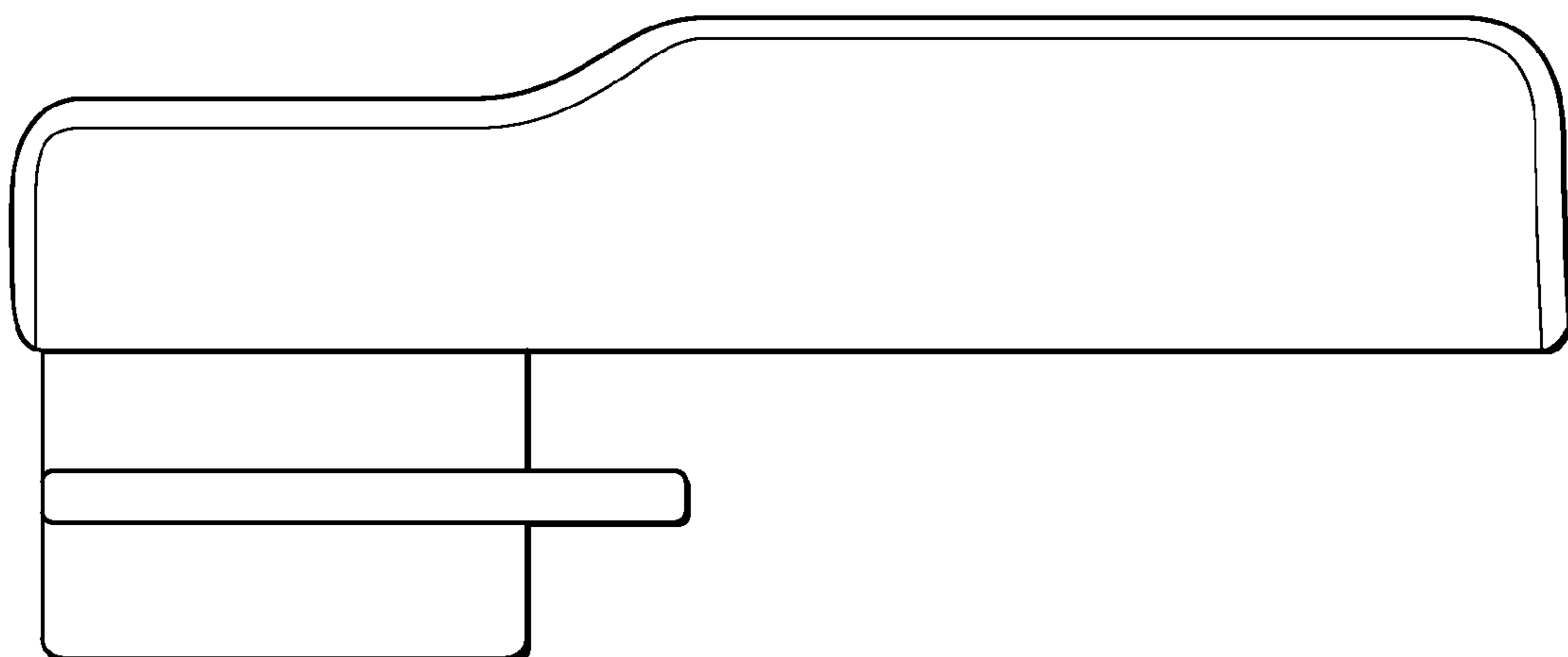


FIG. 14