



US00D581440S

(12) **United States Design Patent**
Nakamura

(10) **Patent No.:** **US D581,440 S**
(45) **Date of Patent:** **** Nov. 25, 2008**

(54) **DIGITAL STILL CAMERA**

(75) Inventor: **Makoto Nakamura**, Kadoma (JP)

(73) Assignee: **Matsushita Electric Industrial Co., Ltd.**, Osaka (JP)

(**) Term: **14 Years**

(21) Appl. No.: **29/299,339**

(22) Filed: **Dec. 21, 2007**

(30) **Foreign Application Priority Data**

Jun. 26, 2007 (JP) 2007-016985

(51) **LOC (8) Cl.** **16-01**

(52) **U.S. Cl.** **D16/202; D16/217**

(58) **Field of Classification Search** D16/200-206,
D16/217, 218; 348/373-376; 358/909; 396/176,
396/177, 535-541

See application file for complete search history.

(56) **References Cited**

U.S. PATENT DOCUMENTS

5,253,003 A * 10/1993 Fujii et al. 396/176
D425,094 S * 5/2000 Morishita et al. D16/217
D439,922 S * 4/2001 Kumakura D16/217
D482,713 S * 11/2003 Hayashi D16/217
D486,168 S 2/2004 Nakamura
D494,202 S 8/2004 Nakamura

D497,174 S * 10/2004 Omino et al. D16/202
D515,606 S 2/2006 Nakamura
D542,321 S * 5/2007 Takahashi D16/202

* cited by examiner

Primary Examiner—Adir Aronovich

(74) *Attorney, Agent, or Firm*—Brinks Hofer Gilson & Lione

(57) **CLAIM**

I claim the ornamental design for a digital still camera, as shown and described.

DESCRIPTION

FIG. 1 is a top perspective view of a digital still camera of the present invention;

FIG. 2 is a front view thereof;

FIG. 3 is a left side view thereof;

FIG. 4 is a right side view thereof;

FIG. 5 is a top view thereof;

FIG. 6 is a rear view thereof;

FIG. 7 is a bottom view thereof; and,

FIG. 8 is a rear perspective view thereof.

The broken line showing of digital still camera is included for the purpose of illustrating environment and forms no part of the claimed design.

1 Claim, 4 Drawing Sheets

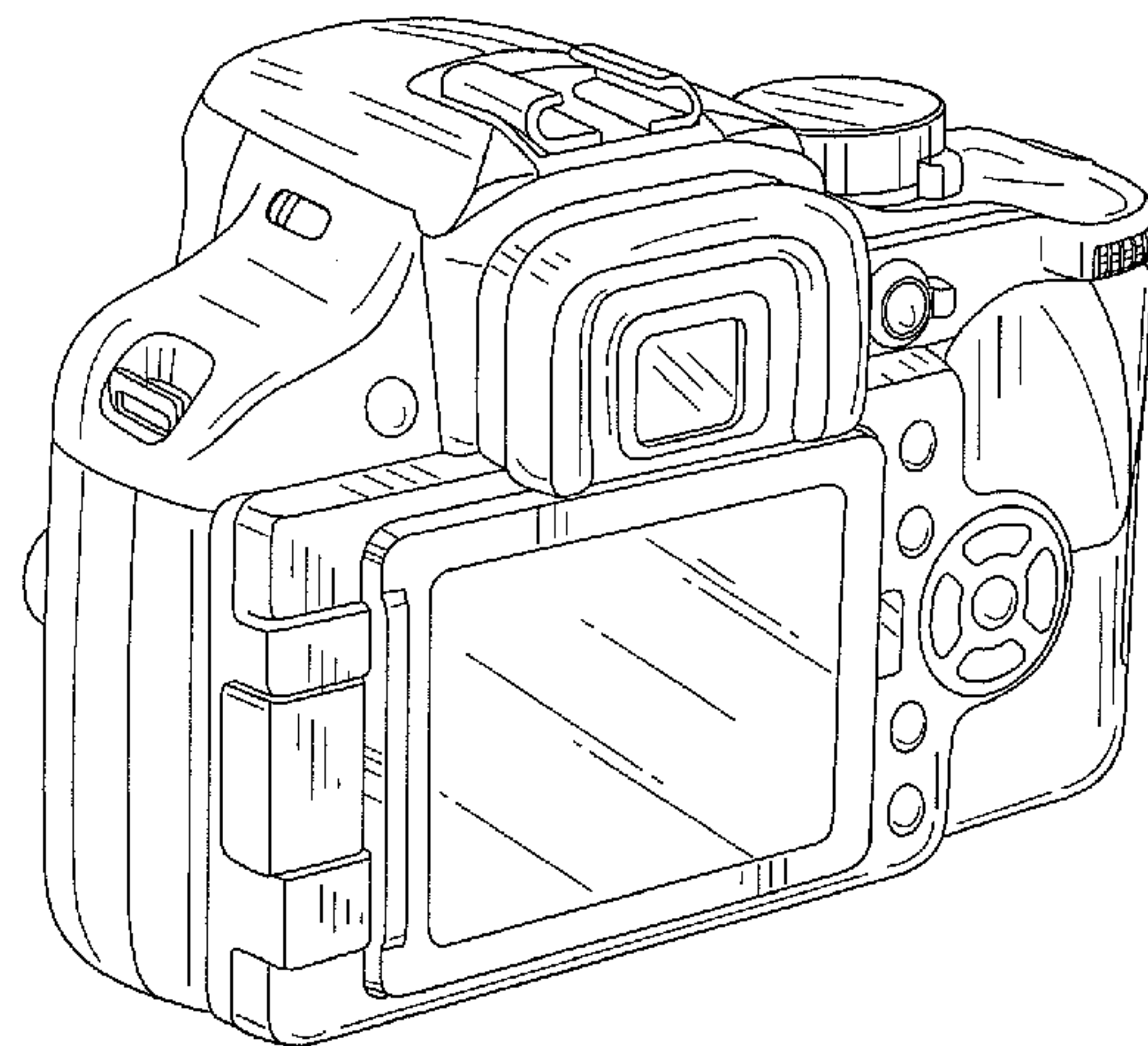
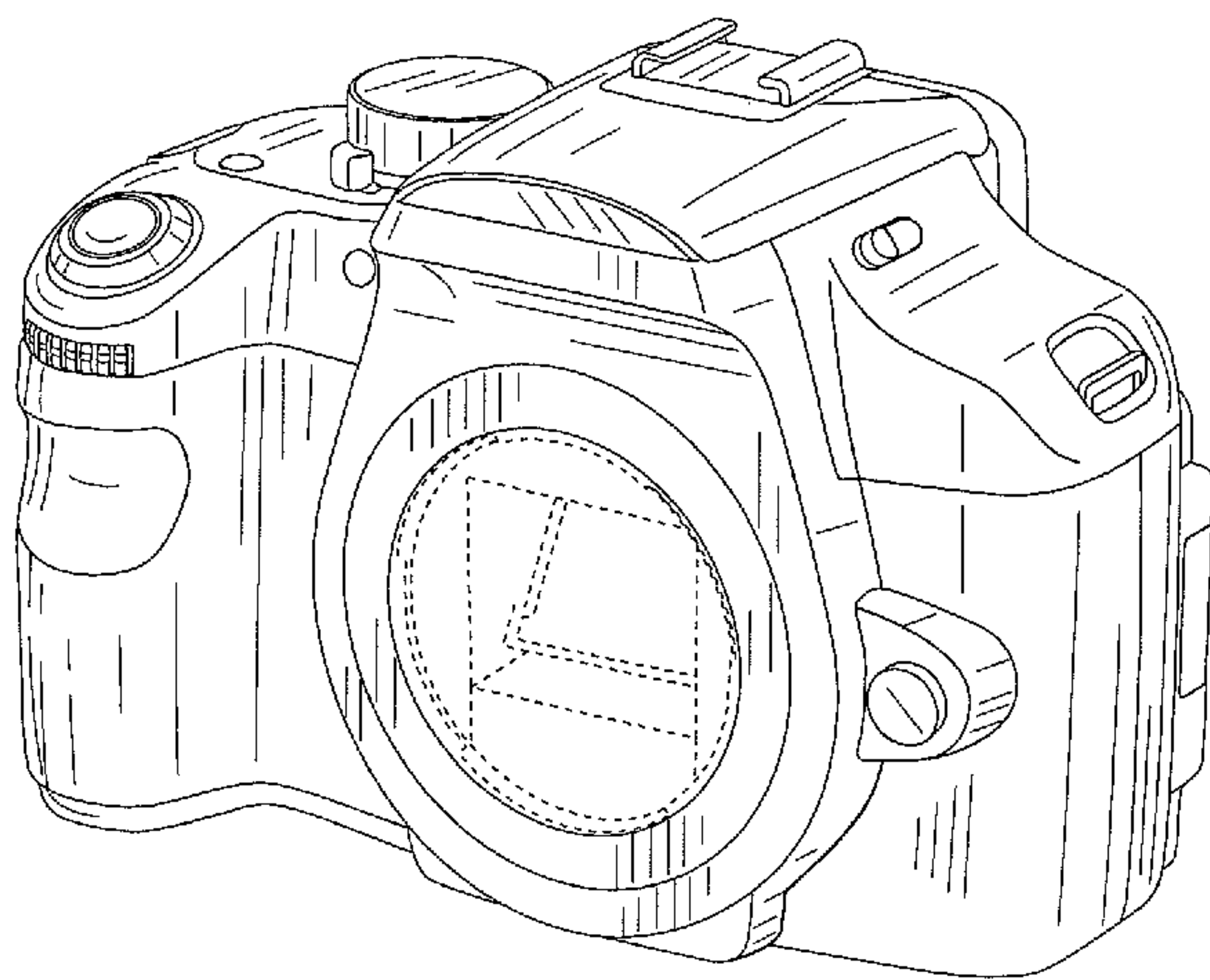


FIG.1

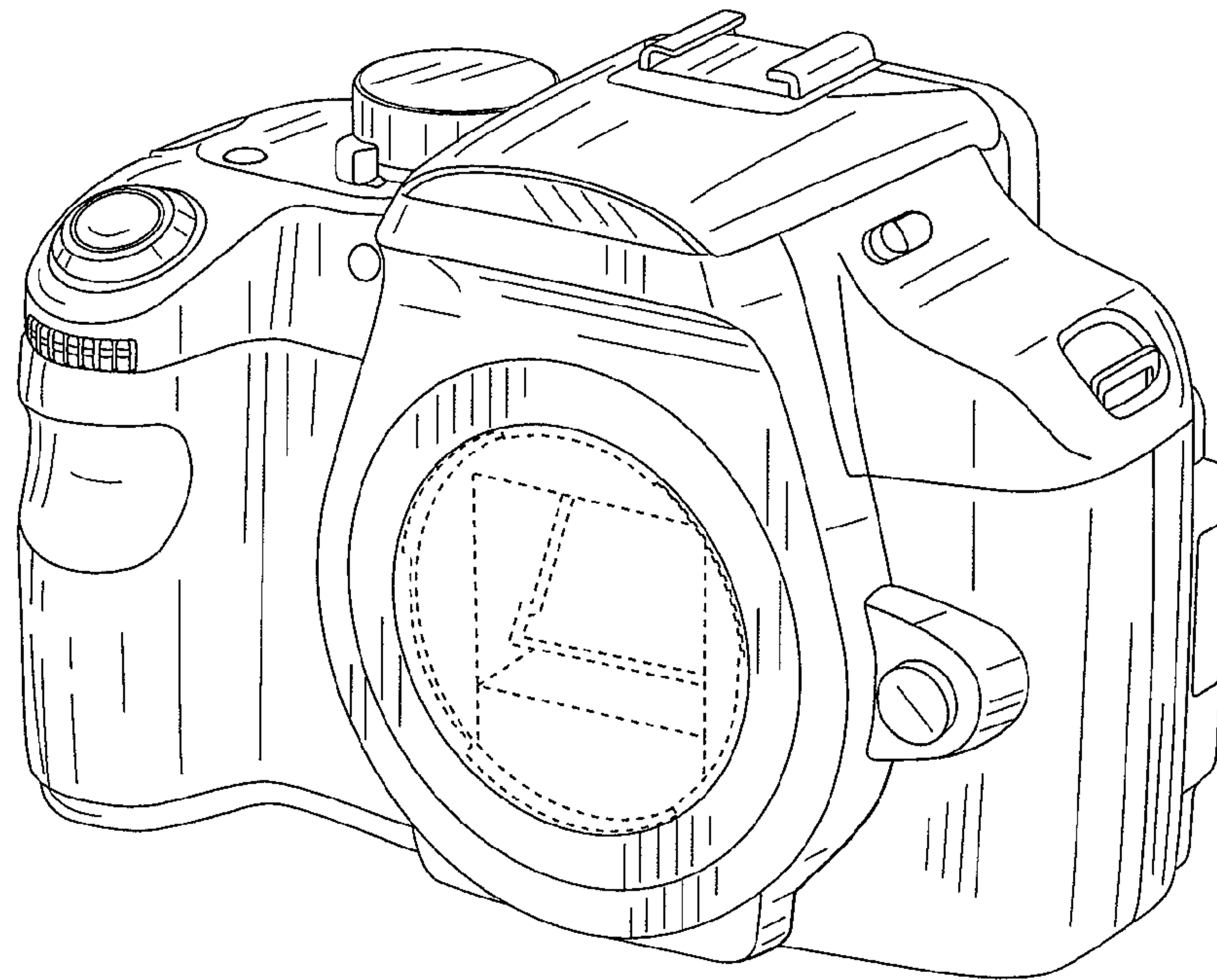


FIG.2

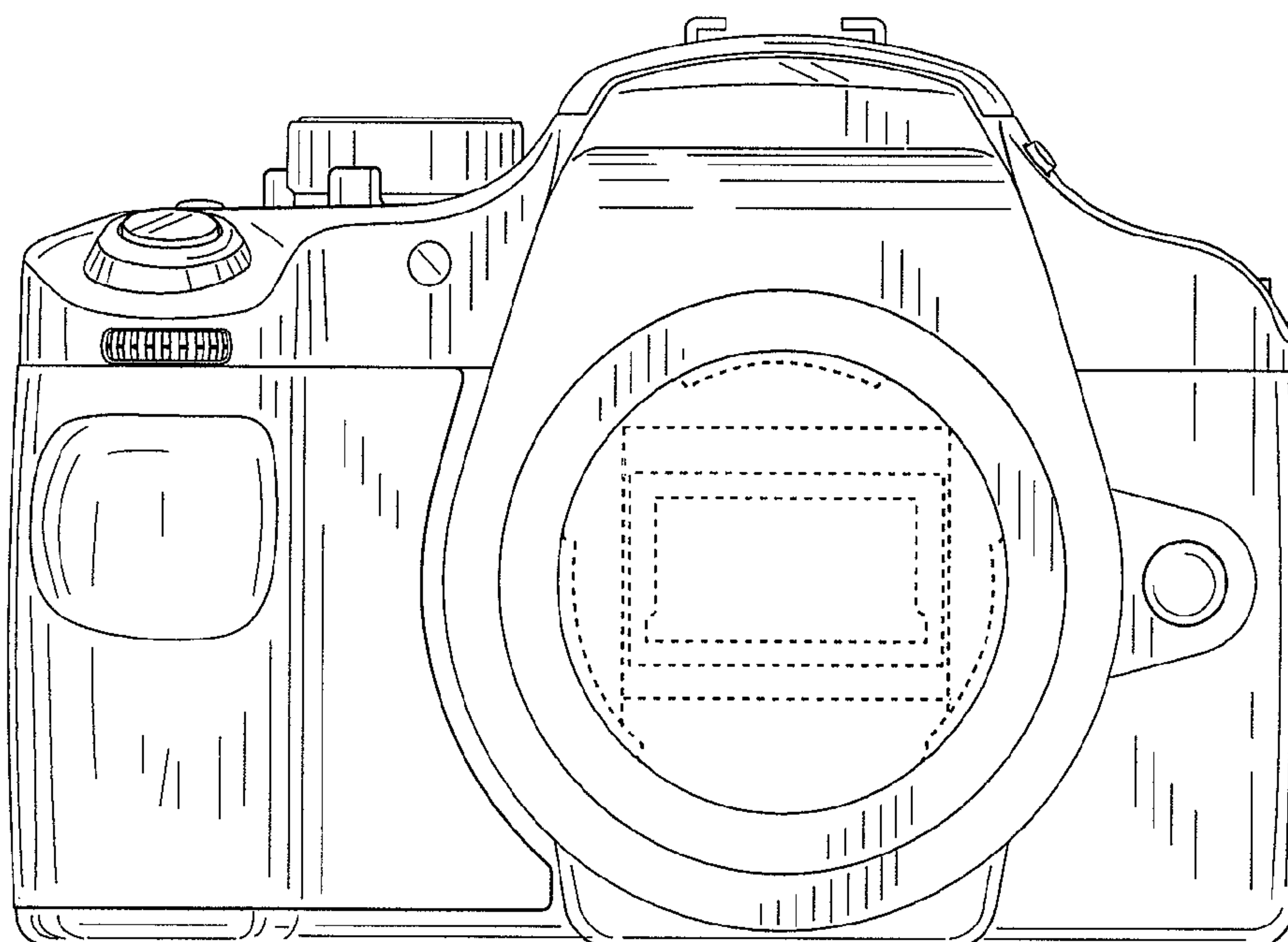


FIG.3

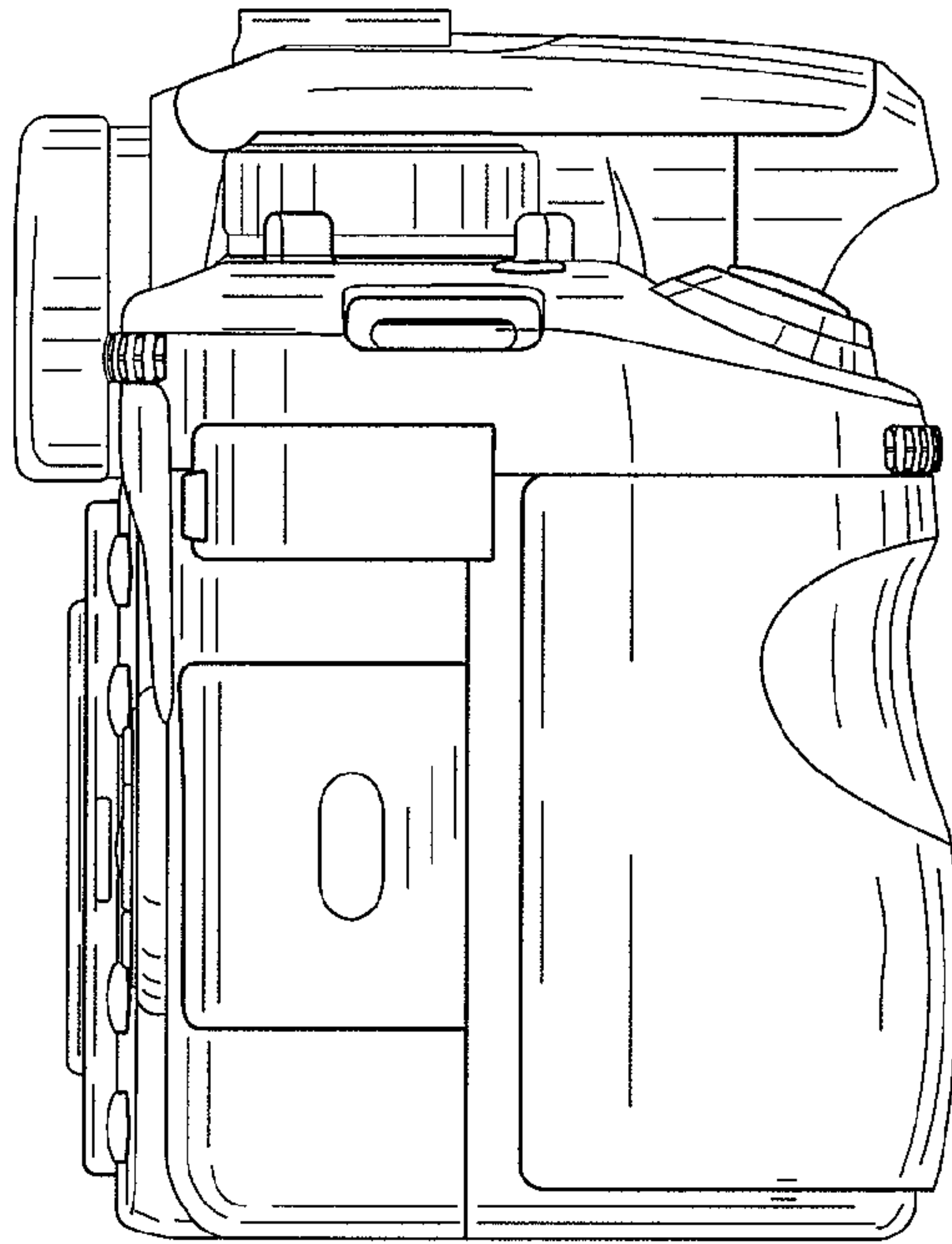


FIG.4

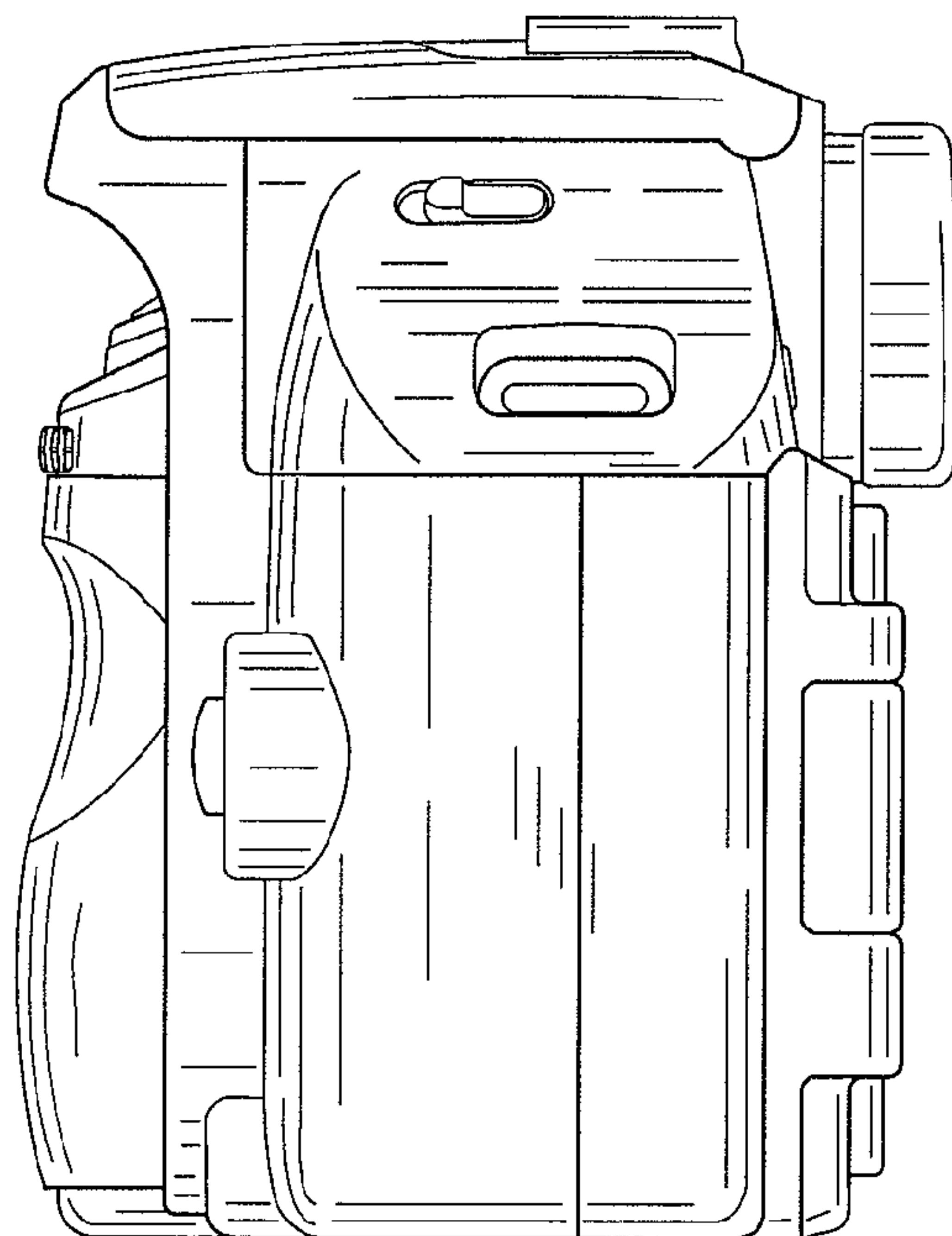


FIG.5

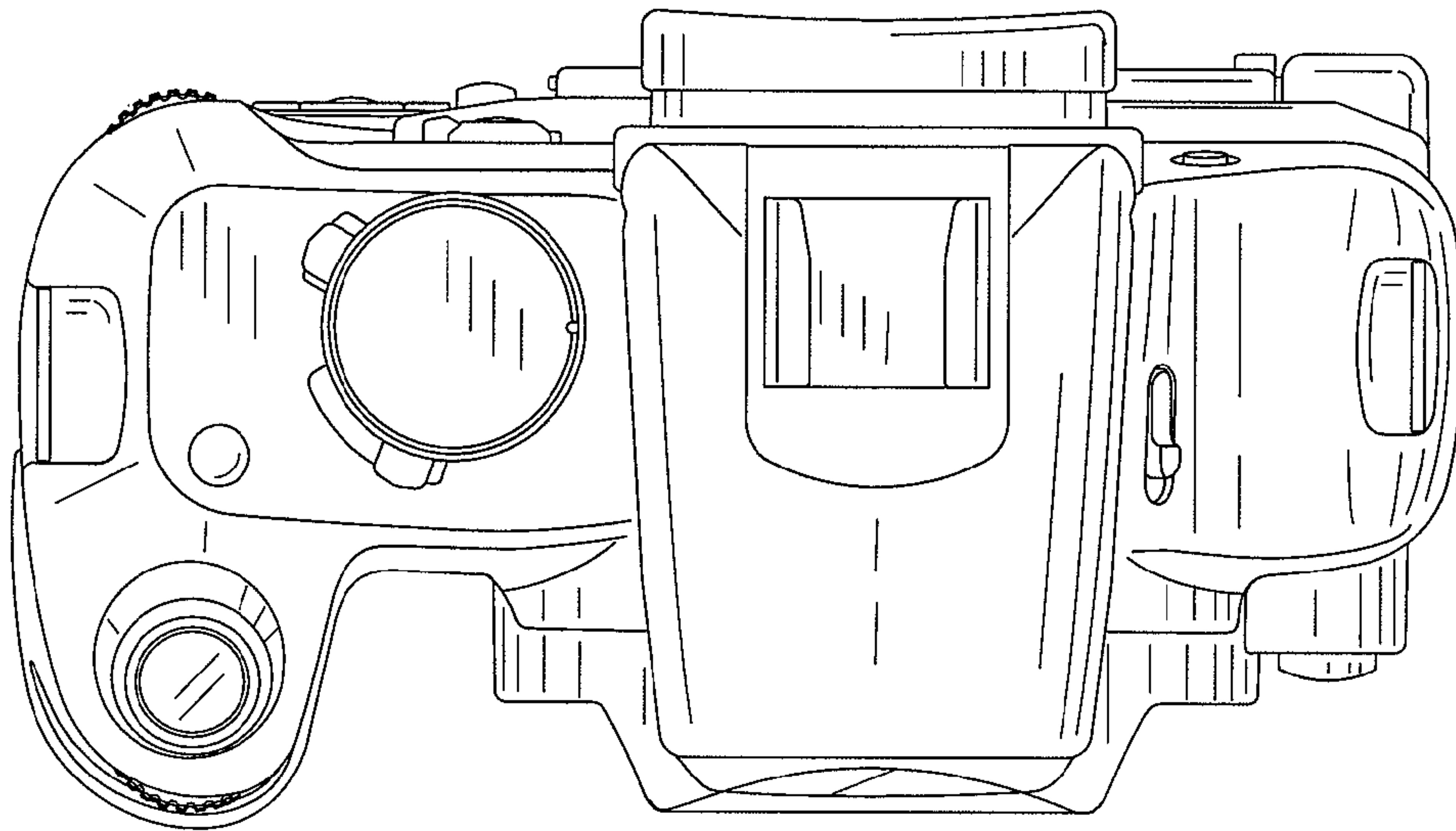


FIG.6

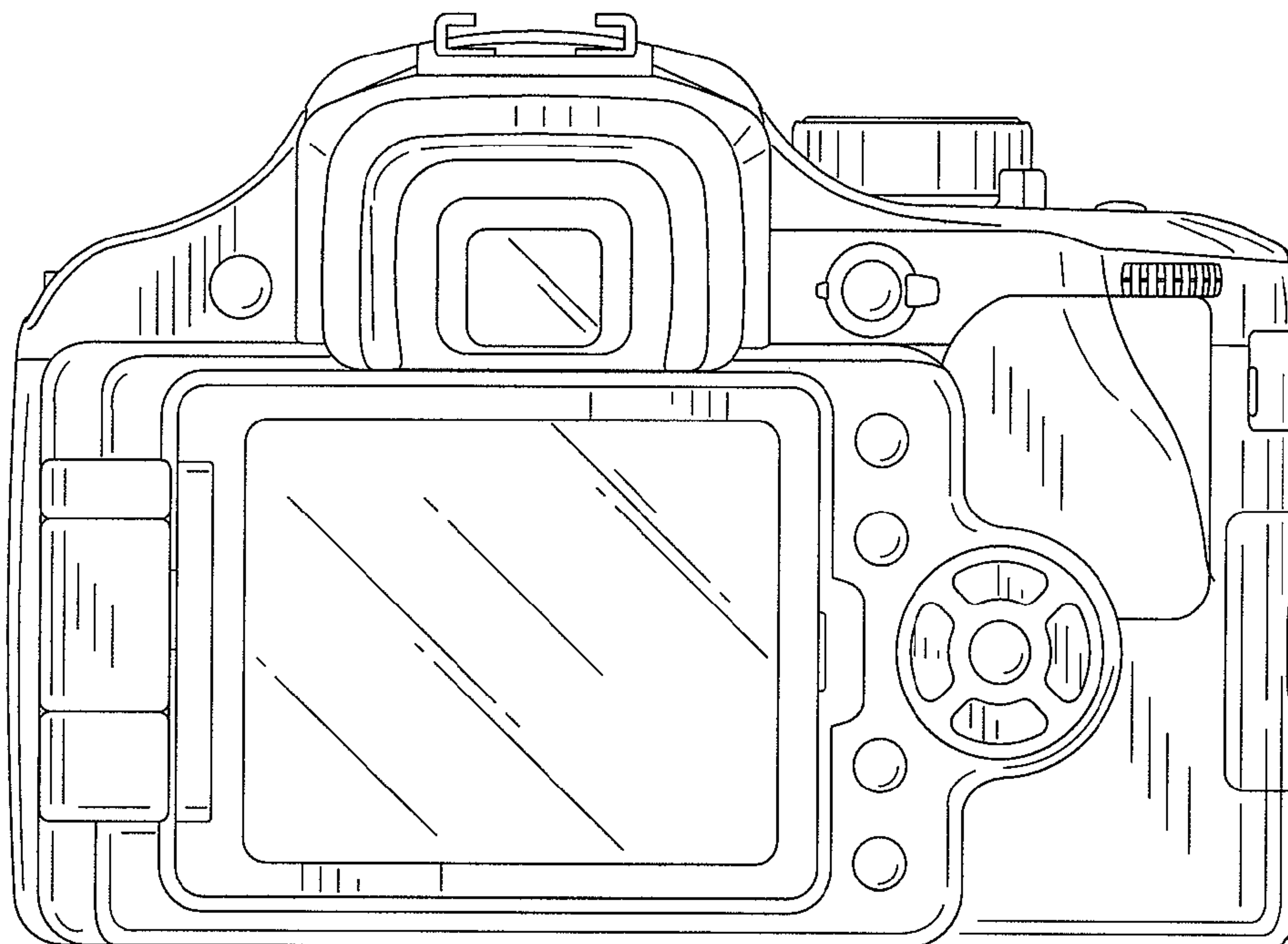


FIG.7

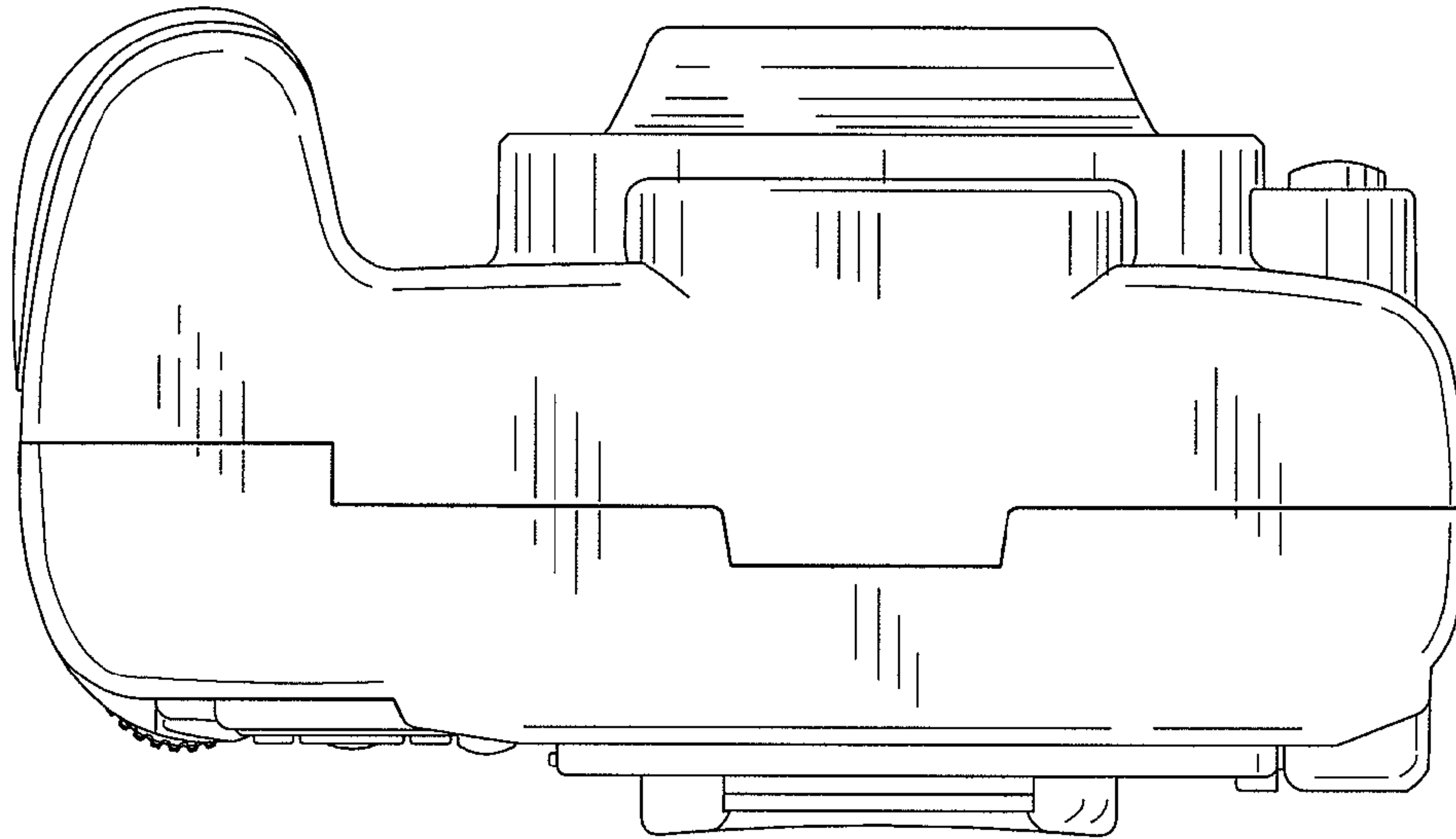


FIG.8

