

US00D581438S

(12) **United States Design Patent**
Liu

(10) **Patent No.:** **US D581,438 S**

(45) **Date of Patent:** **** Nov. 25, 2008**

(54) **HYDRAULIC MECHANISM**

(76) **Inventor:** **Tie Tao Liu**, 1926 W. Holt Ave.,
Pomona, CA (US) 91768

(**) **Term:** **14 Years**

(21) **Appl. No.:** **29/265,372**

(22) **Filed:** **Aug. 30, 2006**

(51) **LOC (8) Cl.** **15-99**

(52) **U.S. Cl.** **D15/199**

(58) **Field of Classification Search** D15/199;
60/653, 696, 701; 122/40; 123/237; 376/245,
376/277; 415/13; 418/131, 133, 134, 135,
418/140, 142, 143, 144; 703/1, 6, 7, 118
See application file for complete search history.

(56) **References Cited**

U.S. PATENT DOCUMENTS

4,444,164	A *	4/1984	Tseng	123/237
5,052,902	A *	10/1991	Labrador	417/330
5,384,812	A *	1/1995	Meuschke et al.	376/260
5,875,635	A *	3/1999	Platell	60/659
6,989,502	B1 *	1/2006	Lu	200/401
7,121,906	B2 *	10/2006	Sundel	440/3
7,331,303	B2 *	2/2008	Park	114/264

7,340,387	B2 *	3/2008	Nam et al.	703/18
2005/0223694	A1 *	10/2005	Bryant	60/228
2006/0099464	A1 *	5/2006	Perry	429/12
2007/0146480	A1 *	6/2007	Judge et al.	348/83
2007/0231117	A1 *	10/2007	Gokhman	415/2.1
2008/0056881	A1 *	3/2008	Mollhagen	415/13

* cited by examiner

Primary Examiner—Sandra Snapp
Assistant Examiner—Patricia Palasik
(74) *Attorney, Agent, or Firm*—Clement Cheng

(57) **CLAIM**

The ornamental design for a hydraulic mechanism, as shown and described.

DESCRIPTION

FIG. 1 is a perspective view. The top and bottom of the hydraulic mechanism are unornamented.

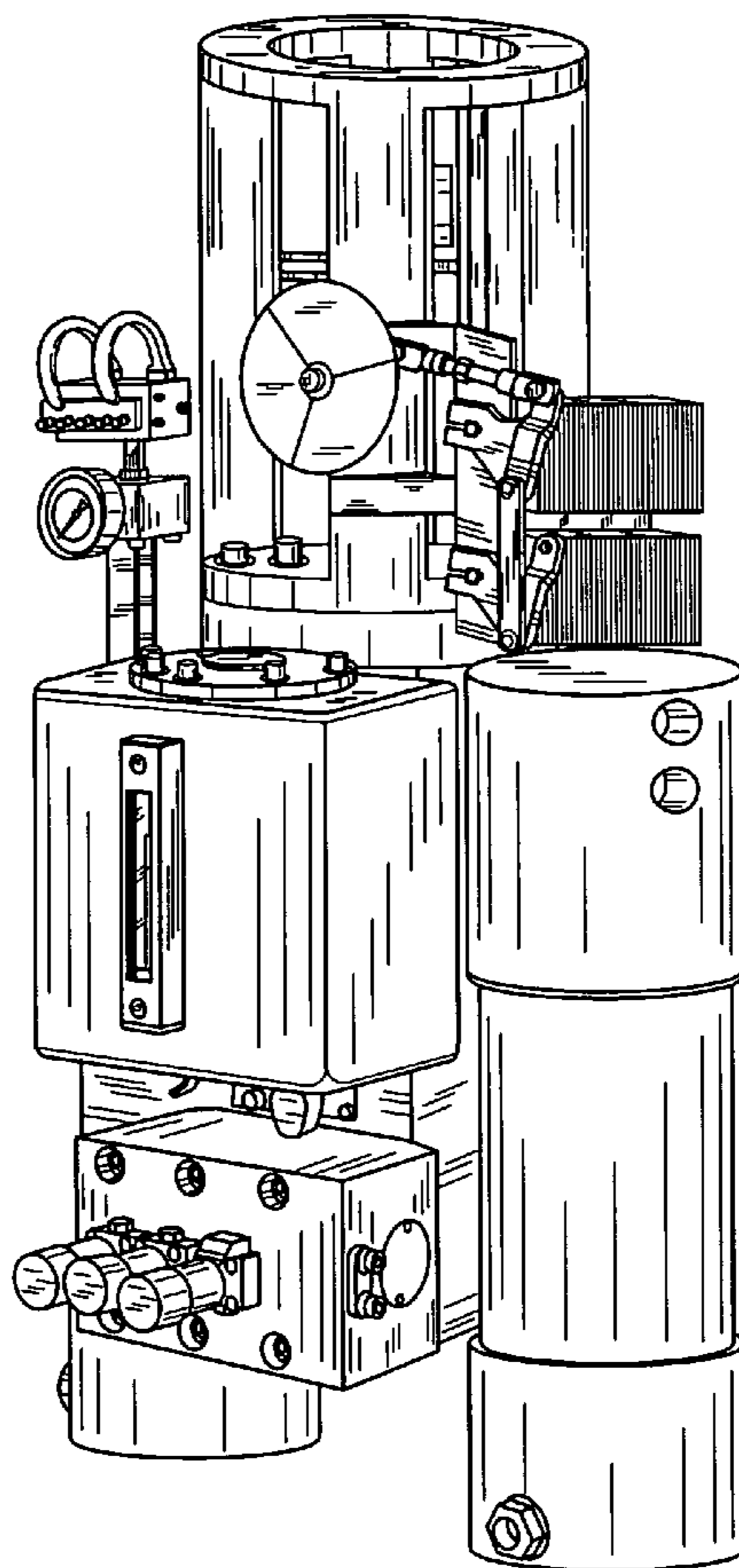
FIG. 2 is a front view.

FIG. 3 is a left side view.

FIG. 4 is a right side view; and,

FIG. 5 is a rear view thereof.

1 Claim, 5 Drawing Sheets



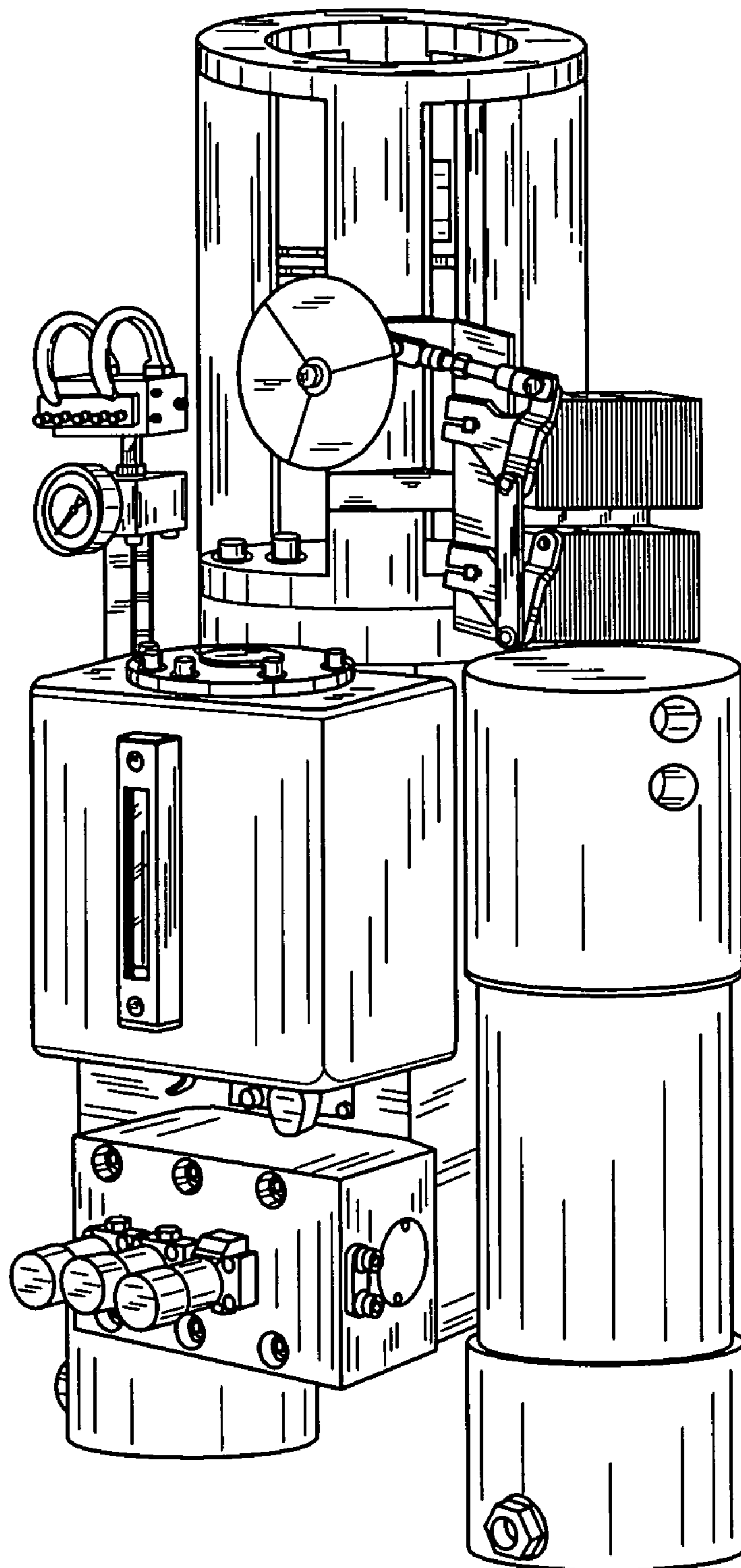


FIG. 1

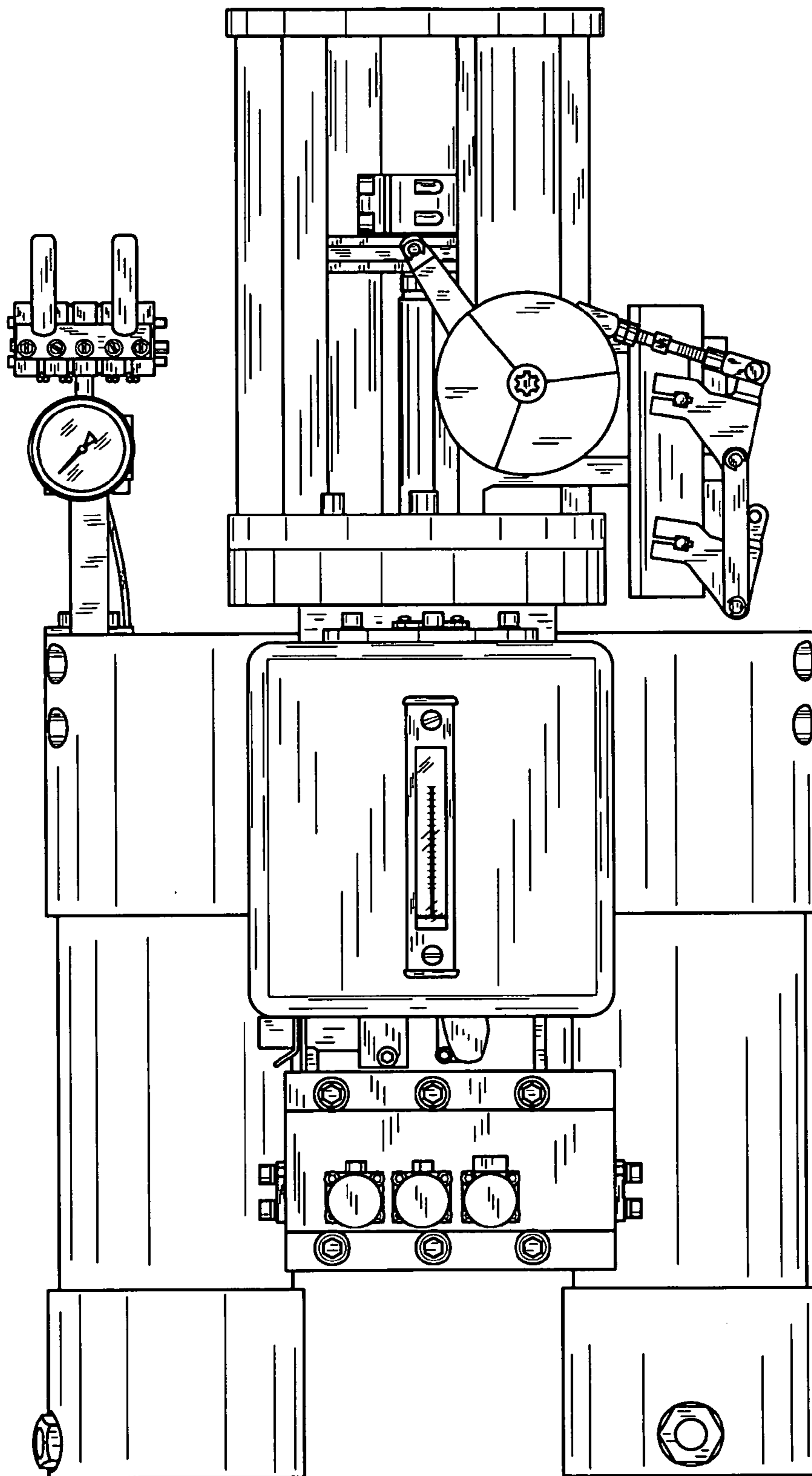


FIG. 2

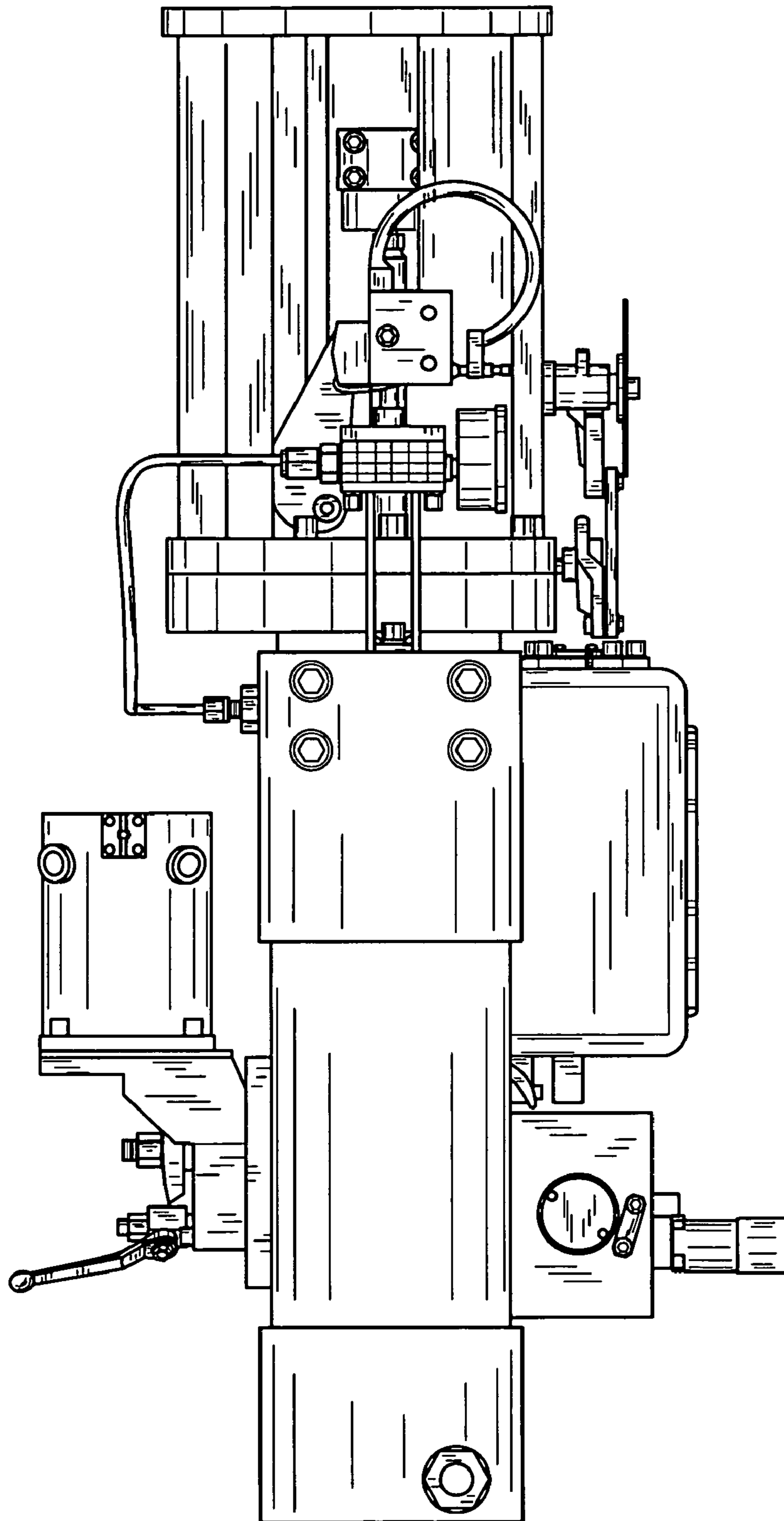


FIG. 3

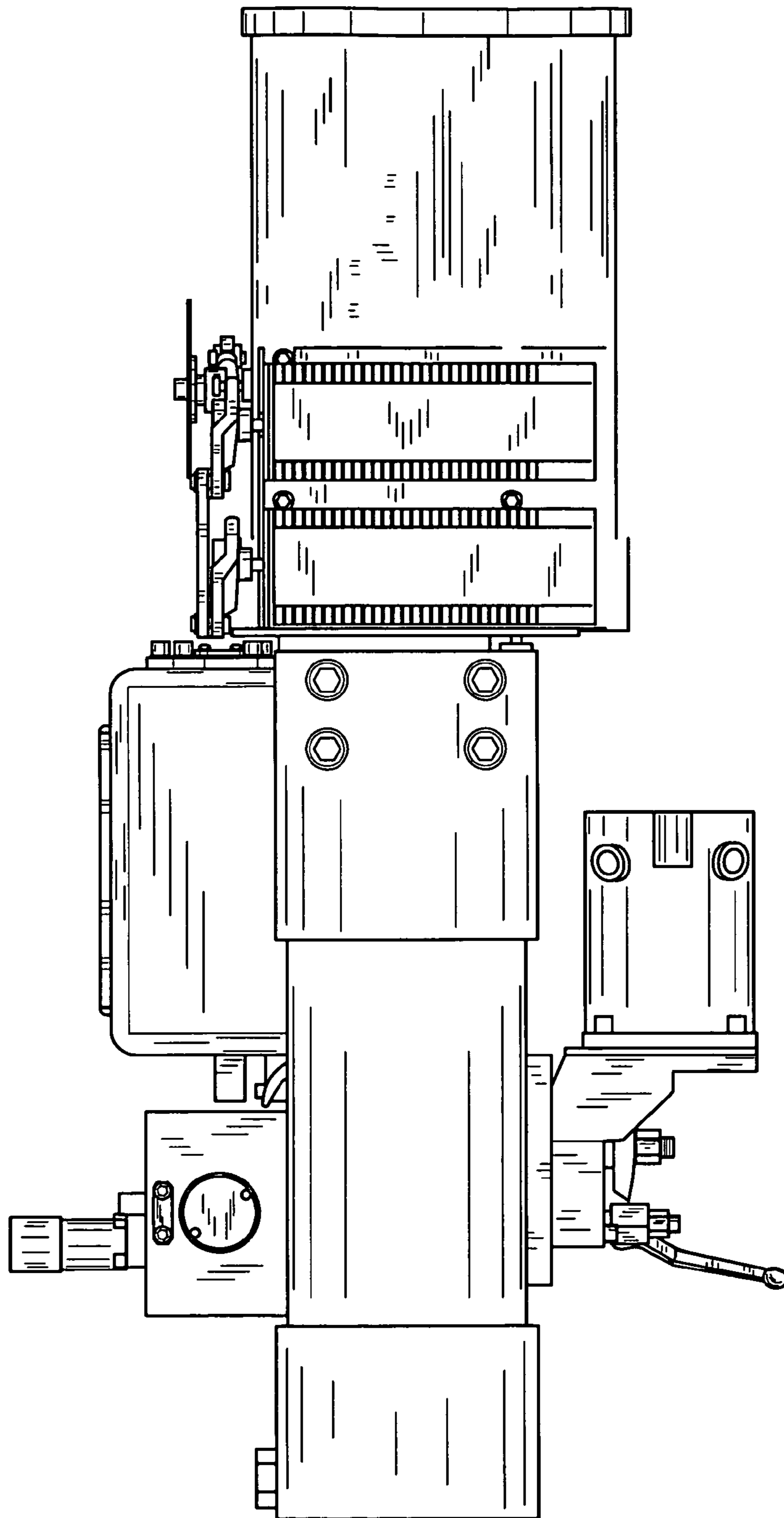


FIG. 4

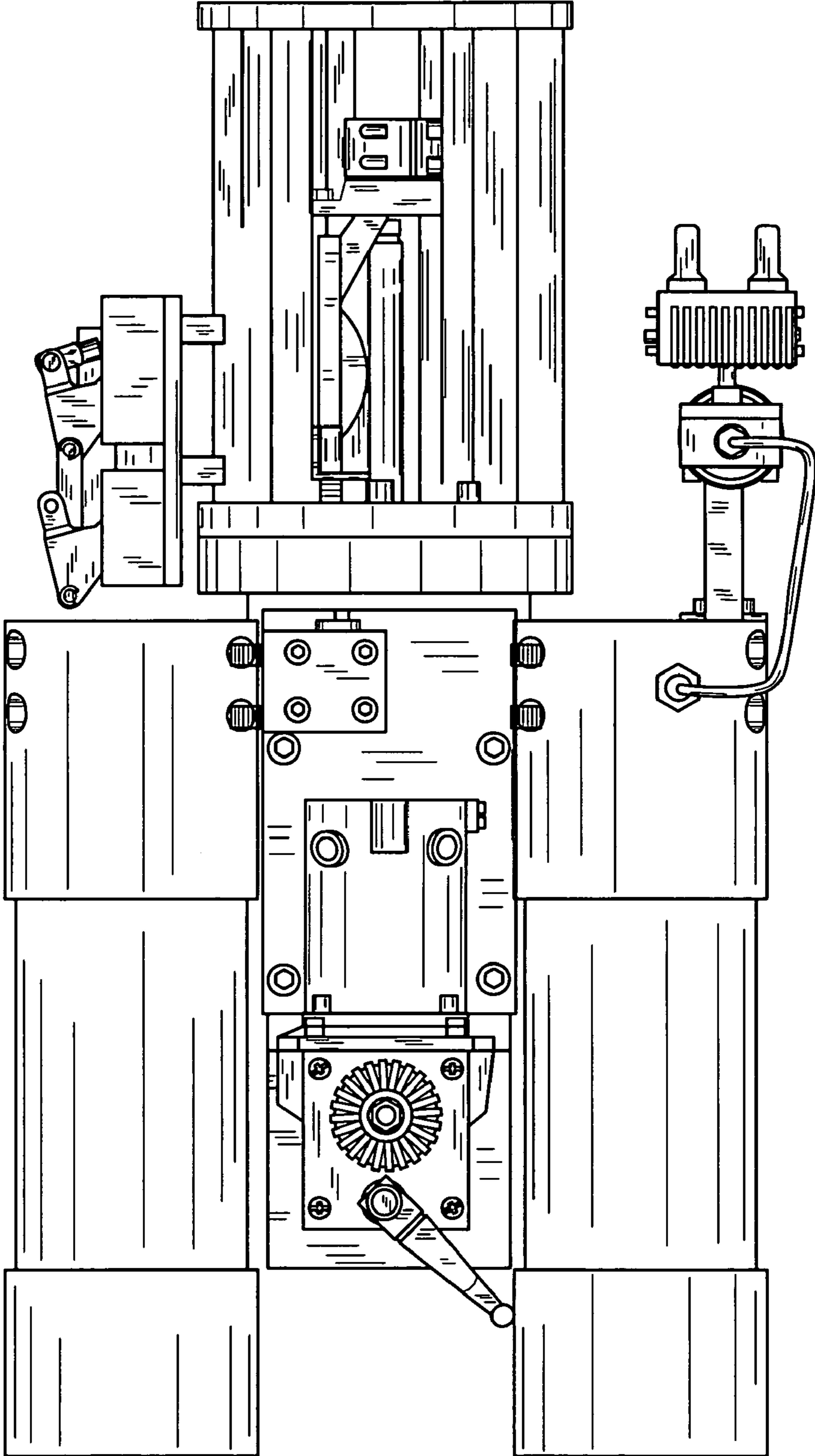


FIG. 5